



US00D438821S

(12) **United States Design Patent**
Cadotte et al.

(10) **Patent No.:** **US D438,821 S**

(45) **Date of Patent:** **** Mar. 13, 2001**

(54) **SNOWMOBILE**

(75) Inventors: **Germain Cadotte**, St-Elie d'Orford;
Emmanuel Rius, Sherbrooke, both of
(CA)

(73) Assignee: **Bombardier Inc.**, Montreal (CA)

(**) Term: **14 Years**

(21) Appl. No.: **29/109,236**

(22) Filed: **Aug. 11, 1999**

(30) **Foreign Application Priority Data**

Feb. 12, 1999 (CA) 1999-0393

(51) **LOC (7) Cl.** **12-14**

(52) **U.S. Cl.** **D12/7**

(58) **Field of Search** D12/7; 180/182,
180/184-186, 190, 193, 194; 280/845;
D21/533

(56) **References Cited**

U.S. PATENT DOCUMENTS

D. 217,862	*	6/1970	Johnson	D12/7
D. 225,105	*	11/1972	MacKeen et al.	D12/7
D. 228,754	*	10/1973	Mango	D12/7
D. 230,585	*	3/1974	Rose	D12/7
D. 239,164	*	3/1976	Smith	D12/7
D. 264,830	*	6/1982	Ishiyama	D12/7
D. 273,185	*	3/1984	Ishiyama	D12/7
D. 278,892	*	5/1985	Kobayashi	D12/7
D. 314,535	*	2/1991	Matsue	D12/7

D. 333,110	*	2/1993	Mogi et al.	D12/7
D. 342,044	*	12/1993	Hornai	D12/7
D. 389,780	*	1/1998	Komatsu et al.	D12/7

OTHER PUBLICATIONS

Ski-Doo Brochure; Bombardier Inc., 1967-1968.
Ski-Doo Brochure, Bombardier Inc., 1968-1969.
Ski-Doo Brochure, Bombardier Inc., 1969-1970.

* cited by examiner

Primary Examiner—Stacia Cadmus

(74) *Attorney, Agent, or Firm*—Ware, Fressola, Van Der Sluys & Adolphson LLP

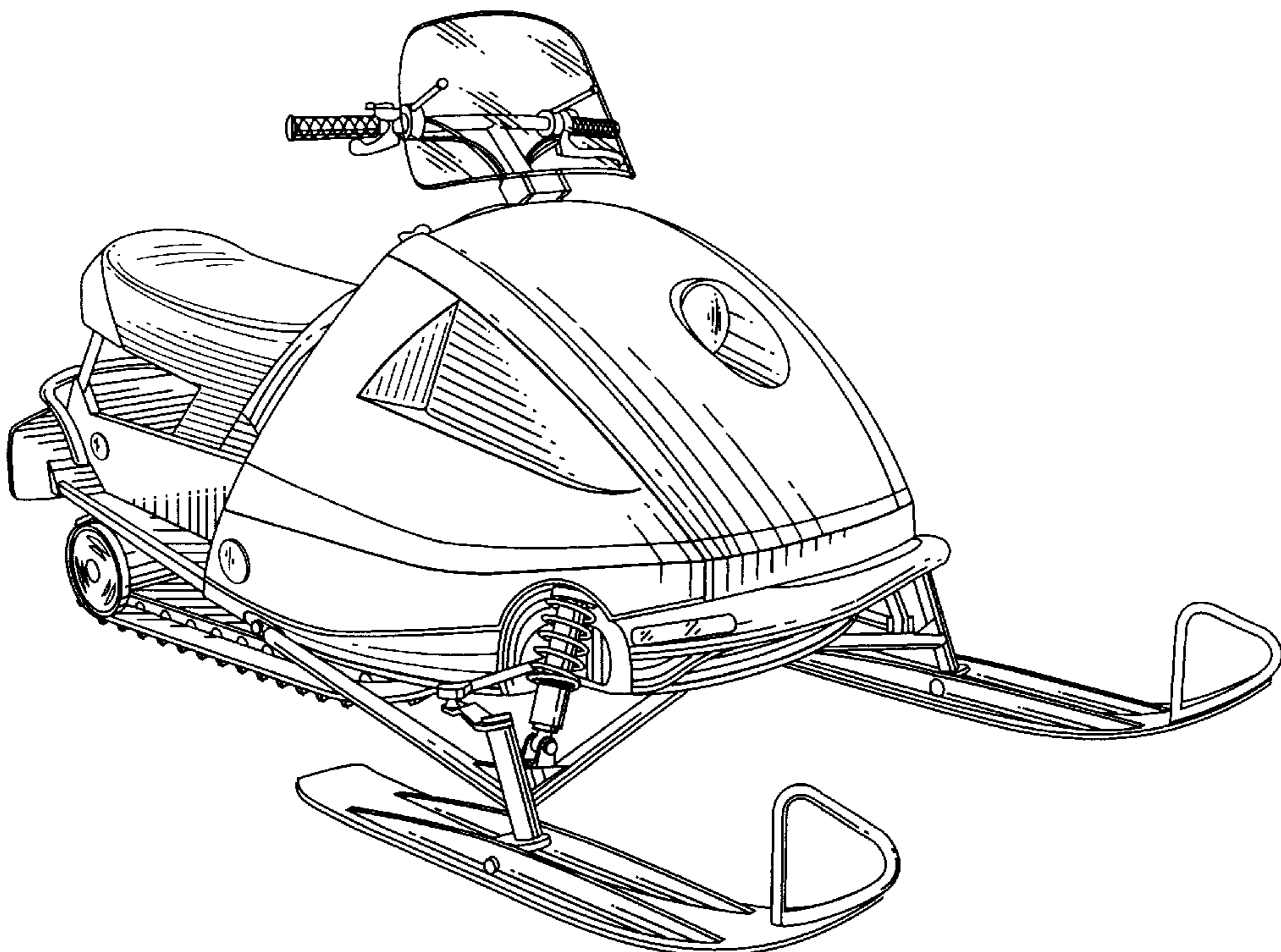
(57) **CLAIM**

The ornamental design for a snowmobile, as shown and described.

DESCRIPTION

FIG. 1 is a front perspective view of a snowmobile according to the present design;
FIG. 2 is a right side elevational view of the snowmobile of FIG. 1;
FIG. 3 is a front elevational view of the snowmobile of FIG. 1;
FIG. 4 is a rear elevational view of the snowmobile of FIG. 1.
FIG. 5 is a top plan view of the snowmobile of FIG. 1; and,
FIG. 6 is a left side elevational view of the snowmobile of FIG. 1.

1 Claim, 5 Drawing Sheets



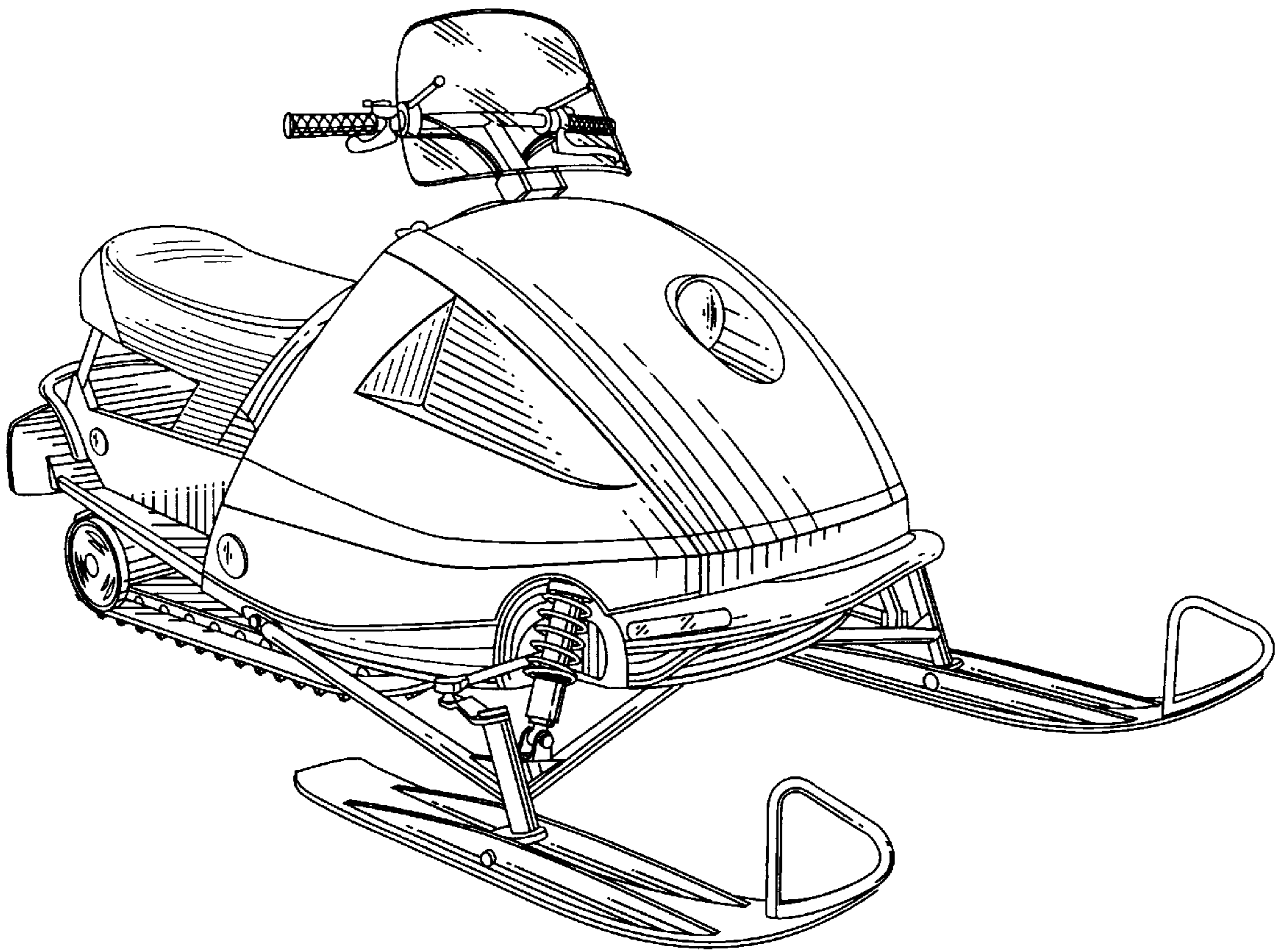


Fig. 1

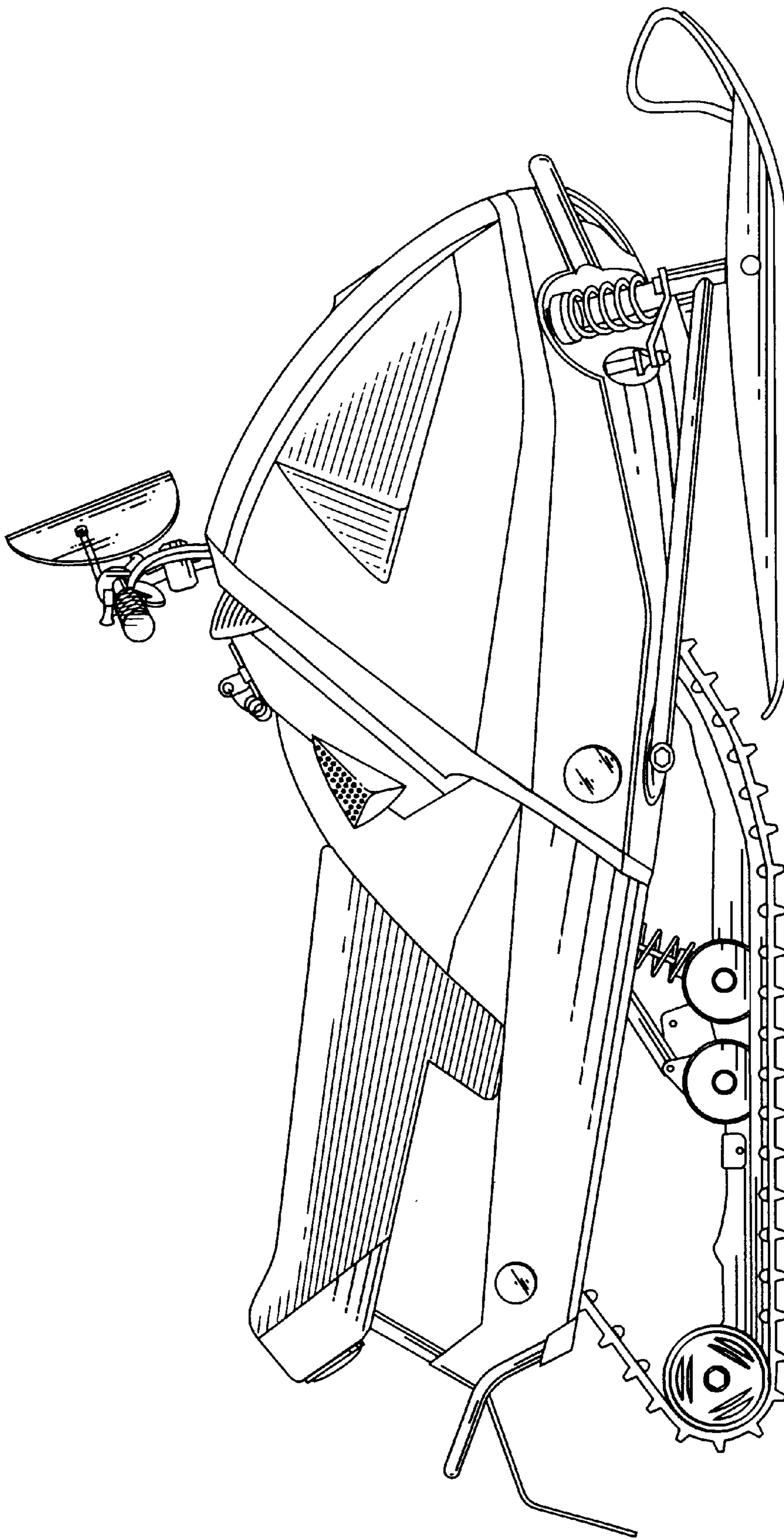


Fig. 2

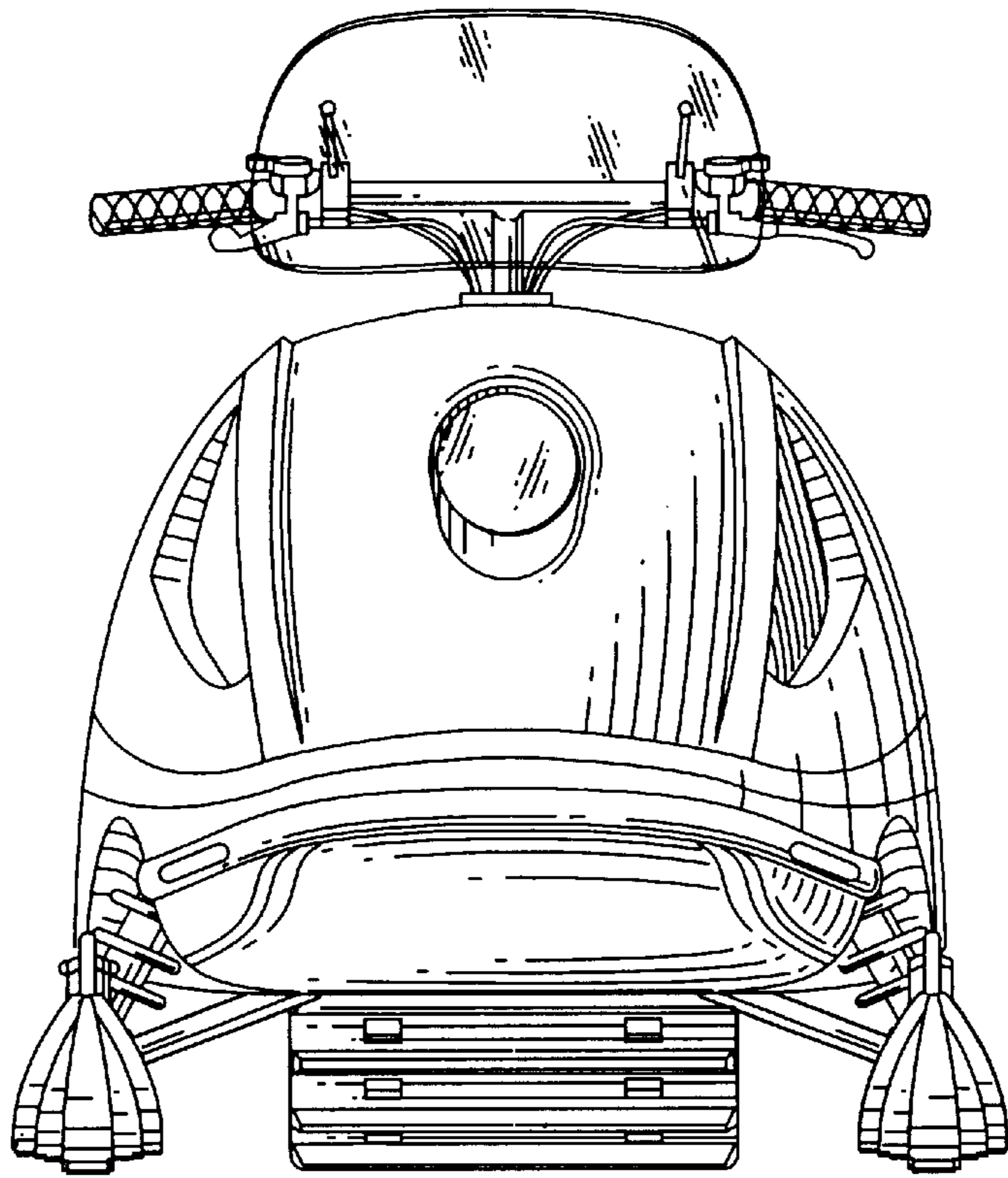


Fig. 3

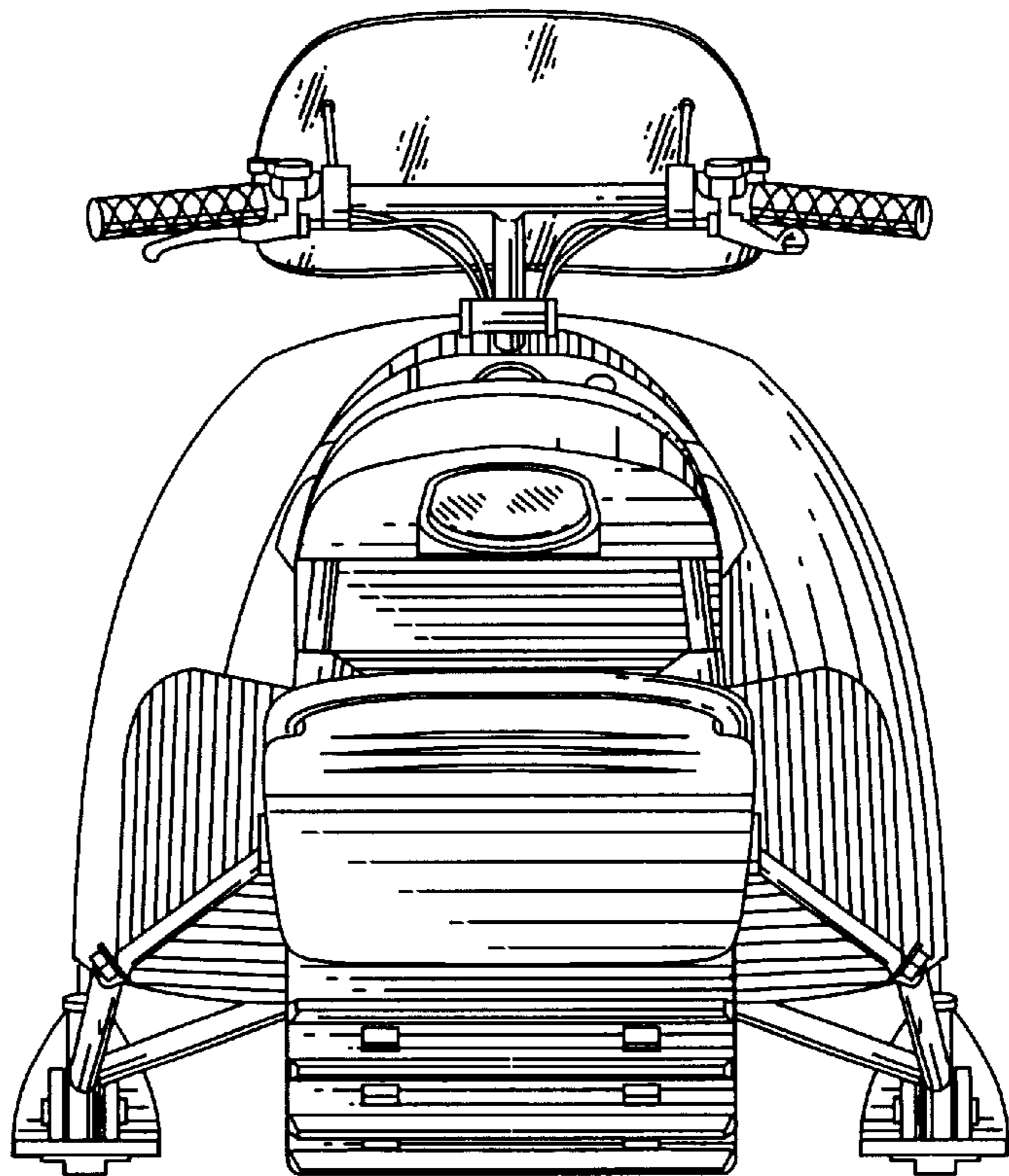


Fig. 4

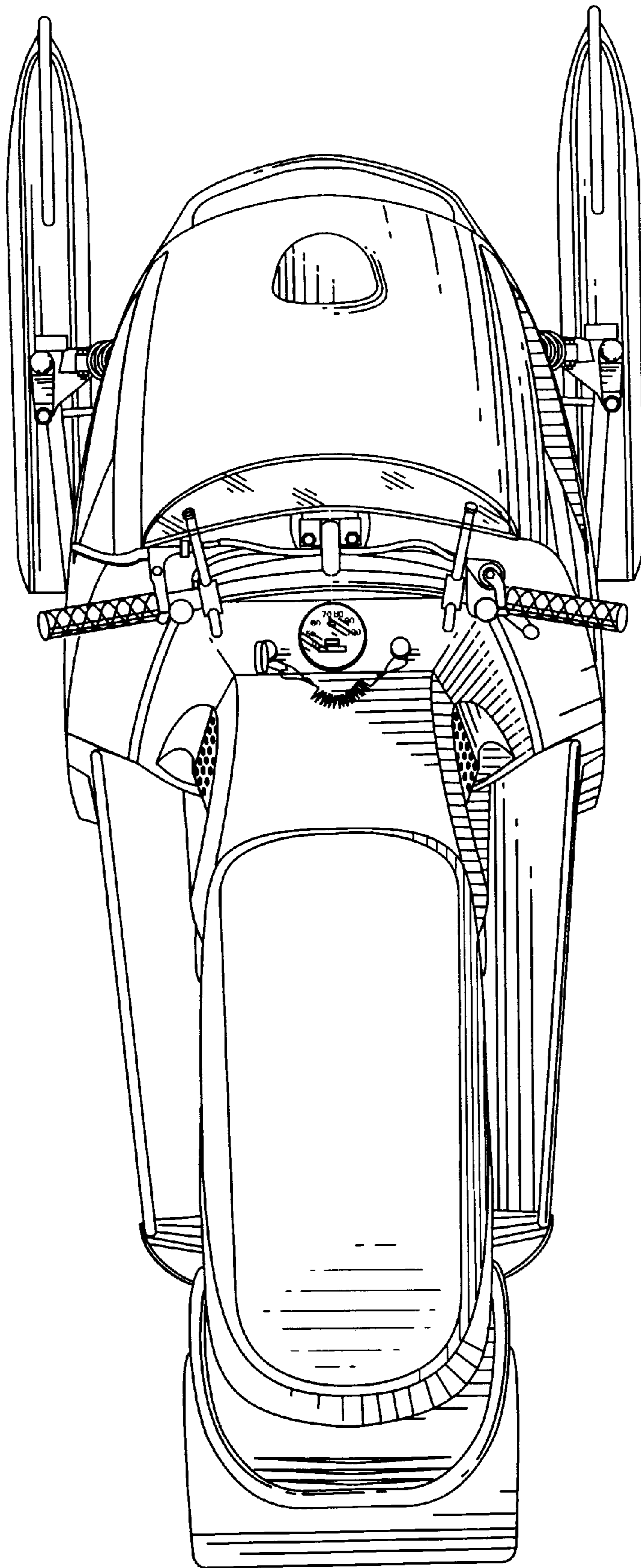


Fig. 5

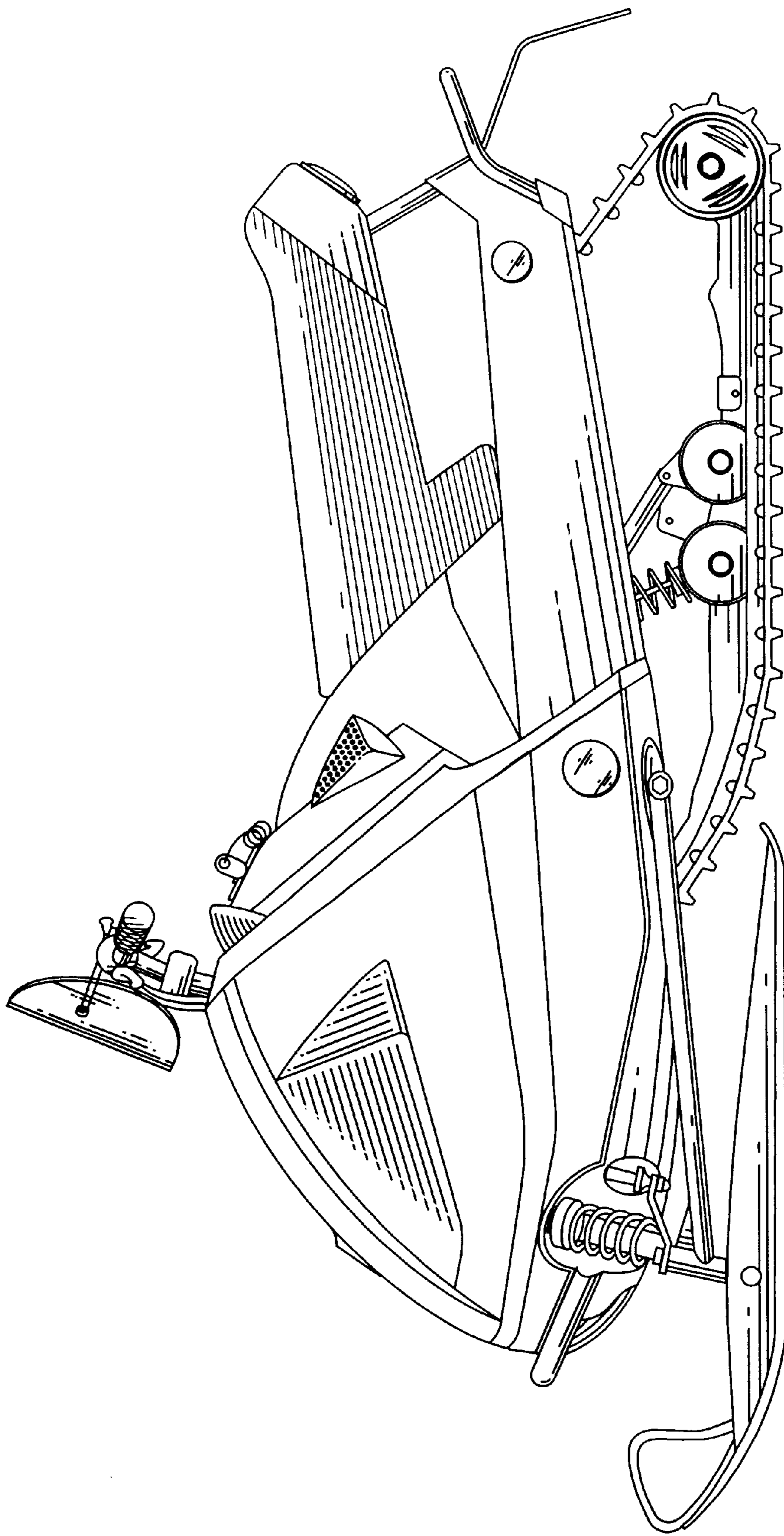


Fig. 6