



US00D438820S

(12) **United States Design Patent**  
**Goulding**

(10) **Patent No.:** **US D438,820 S**

(45) **Date of Patent:** **\*\* Mar. 13, 2001**

(54) **BANNER SUPPORT DEVICE**

5,520,141 5/1996 Lutz .

(76) Inventor: **Colin Goulding**, 53 Tower View,  
Shirley Croydon, Surrey CR0 7PY (GB)

\* cited by examiner

*Primary Examiner*—Antoine Duval Davis

(\*\*) Term: **14 Years**

(57) **CLAIM**

(21) Appl. No.: **29/119,595**

The ornamental design for a banner support device, as shown and described.

(22) Filed: **Mar. 6, 2000**

**DESCRIPTION**

(51) **LOC (7) Cl.** ..... **11-05**

(52) **U.S. Cl.** ..... **D11/166**

(58) **Field of Search** ..... D11/166, 167;  
116/63 P, 173, 209; 248/514, 511, 519,  
520, 523, 524; 40/612

The nature and intended use of the article being an ornamental design for a removable banner support device for use with motor vehicles.

FIG. 1 is a front elevational view of the banner support device of the present invention;

FIG. 2 is a rear elevational view of the banner support device of FIG. 1;

FIG. 3 is a left side elevational view of the banner support device of FIG. 1;

FIG. 4 is a right side elevational view of the banner support device of FIG. 1;

FIG. 5 is a top plan view of the banner support device of FIG. 1;

FIG. 6 is a bottom plan view of the banner support device of FIG. 1; and,

FIG. 7 is a front, elevational exploded view of the banner support device of FIG. 1.

(56) **References Cited**

**U.S. PATENT DOCUMENTS**

41,656	*	2/1864	Watson	.....	40/612
D. 134,995	*	2/1943	Gearing	.....	D11/166
D. 148,260		12/1947	Syverstad	.	
D. 354,712	*	1/1995	Most	.....	D11/166
3,016,035	*	1/1962	Asbury	.....	D11/166
3,148,856	*	9/1964	Orlando	.....	40/612
3,478,715	*	11/1969	Asbury	.....	40/612
4,461,234		7/1984	Bounds	.	
5,354,031		10/1994	Bilotti	.	
5,374,024		12/1994	Williams	.	
5,388,546		2/1995	Lombard	.	

**1 Claim, 4 Drawing Sheets**

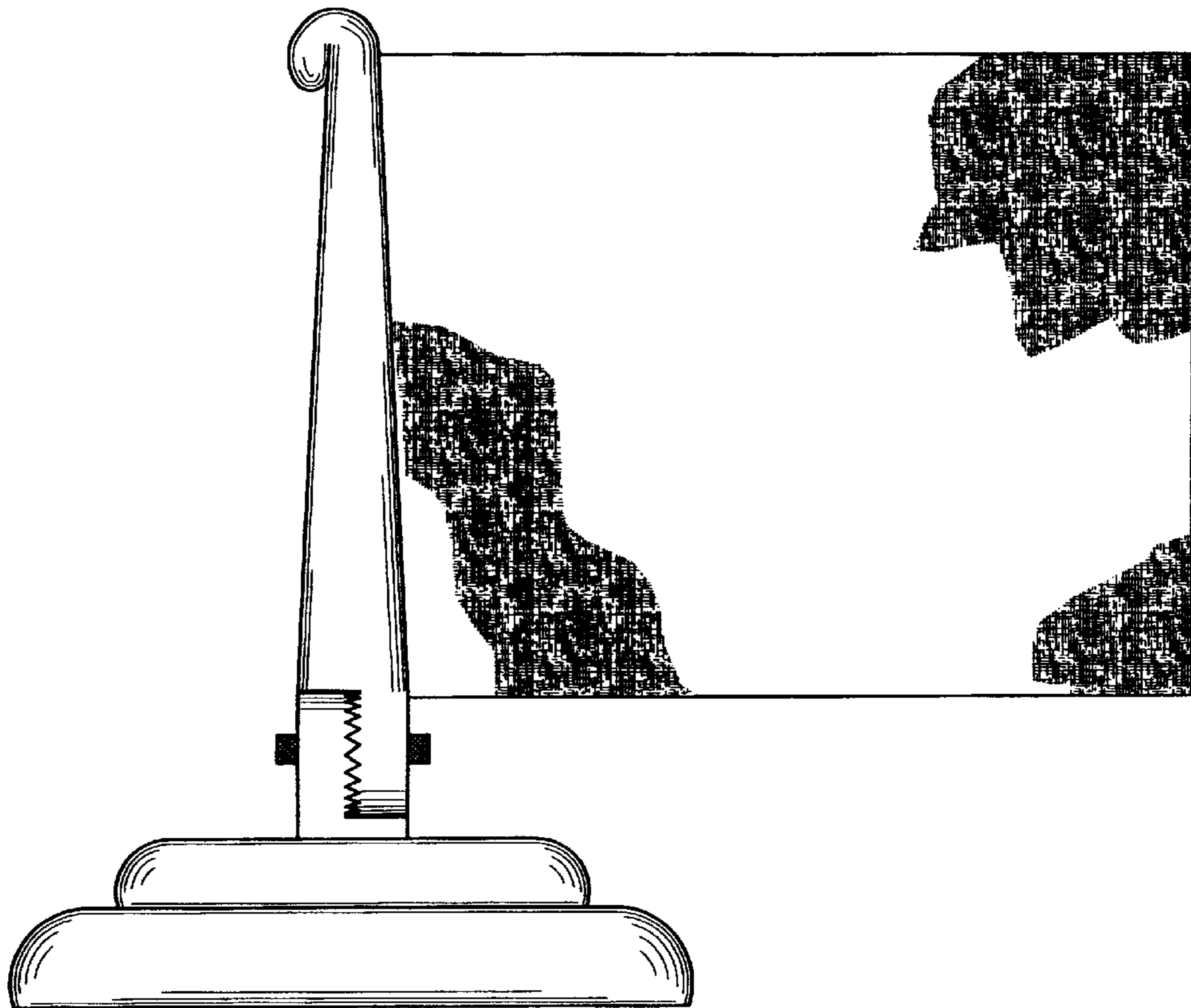


FIG. 1

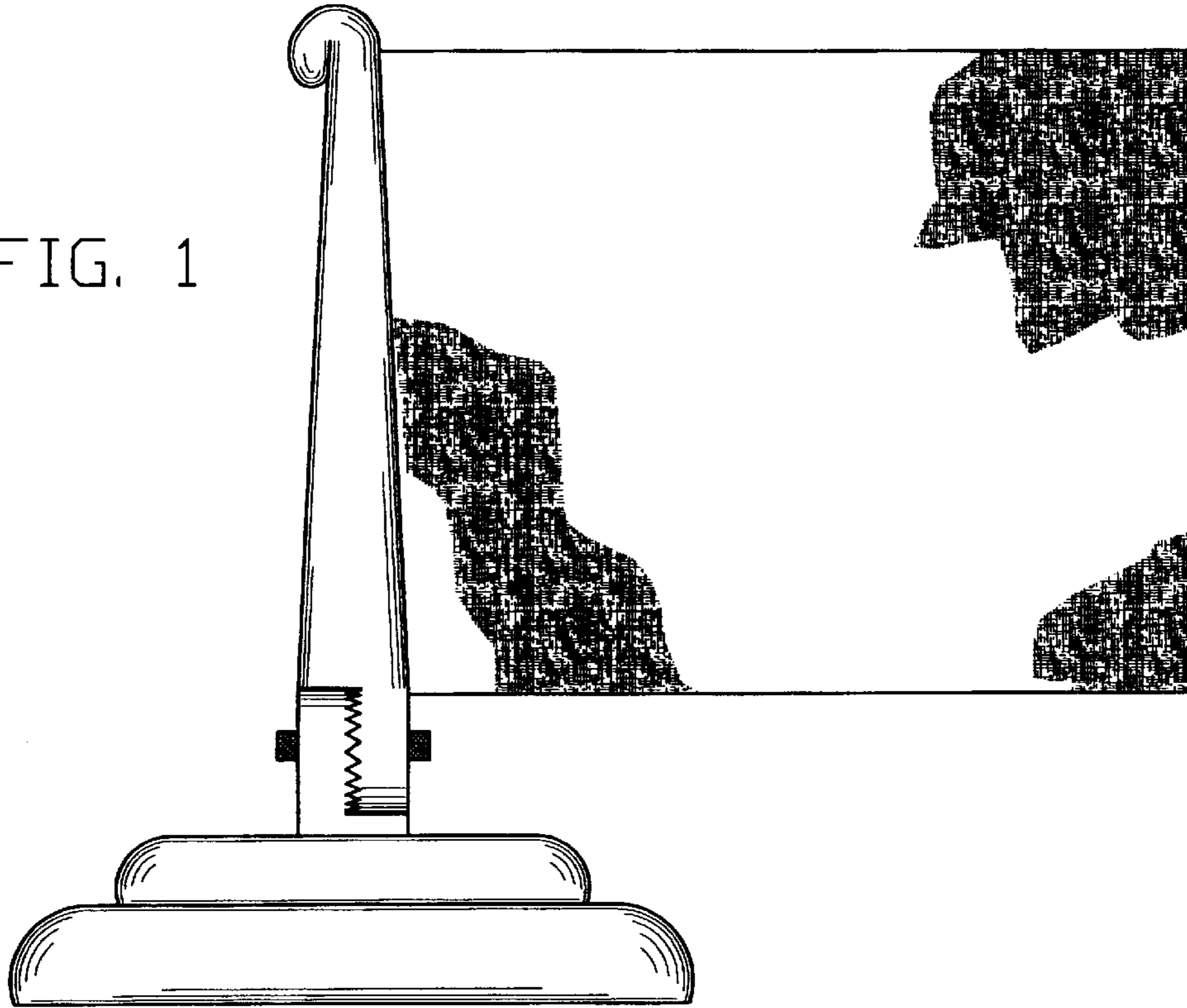


FIG. 2

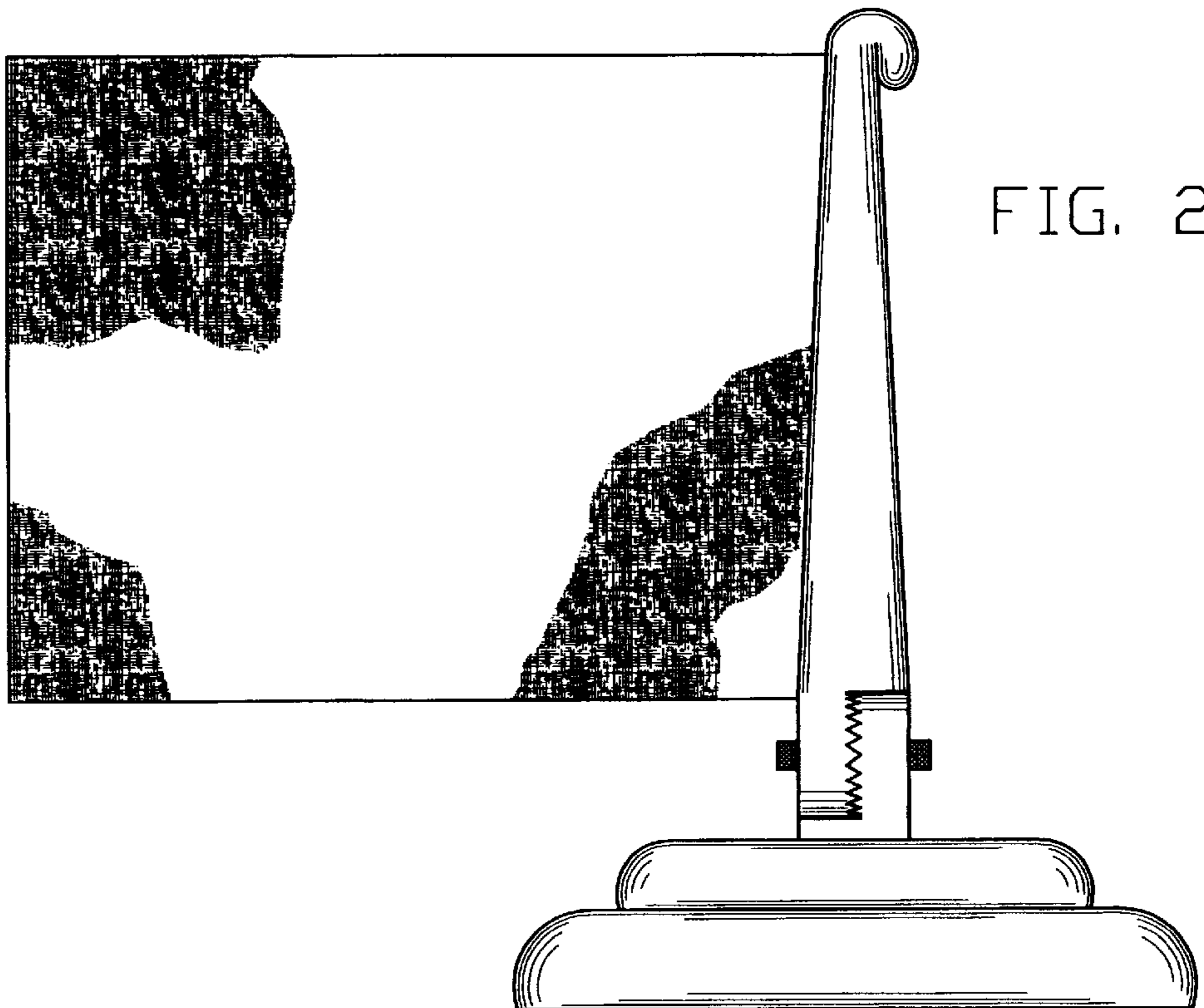


FIG. 3

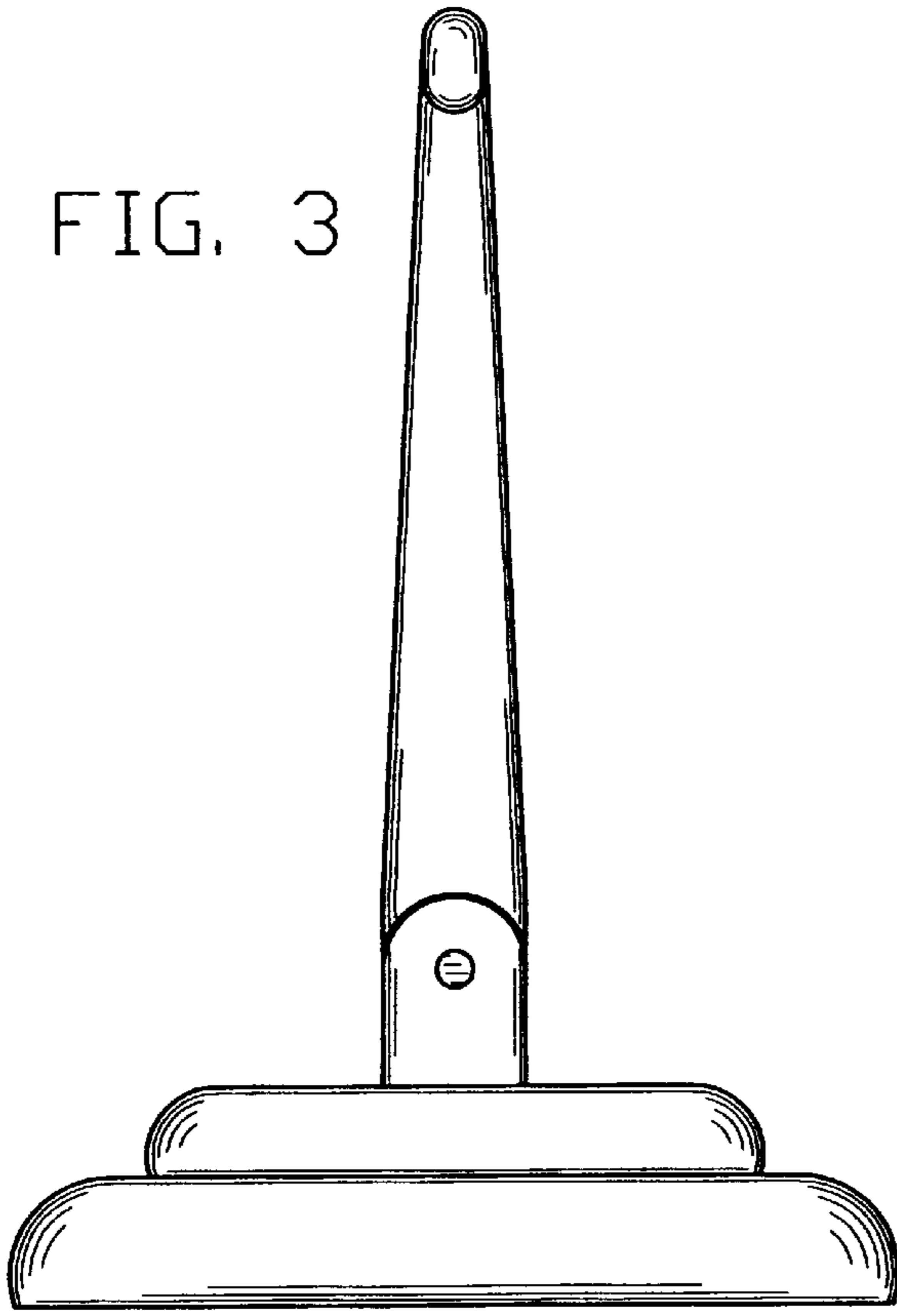
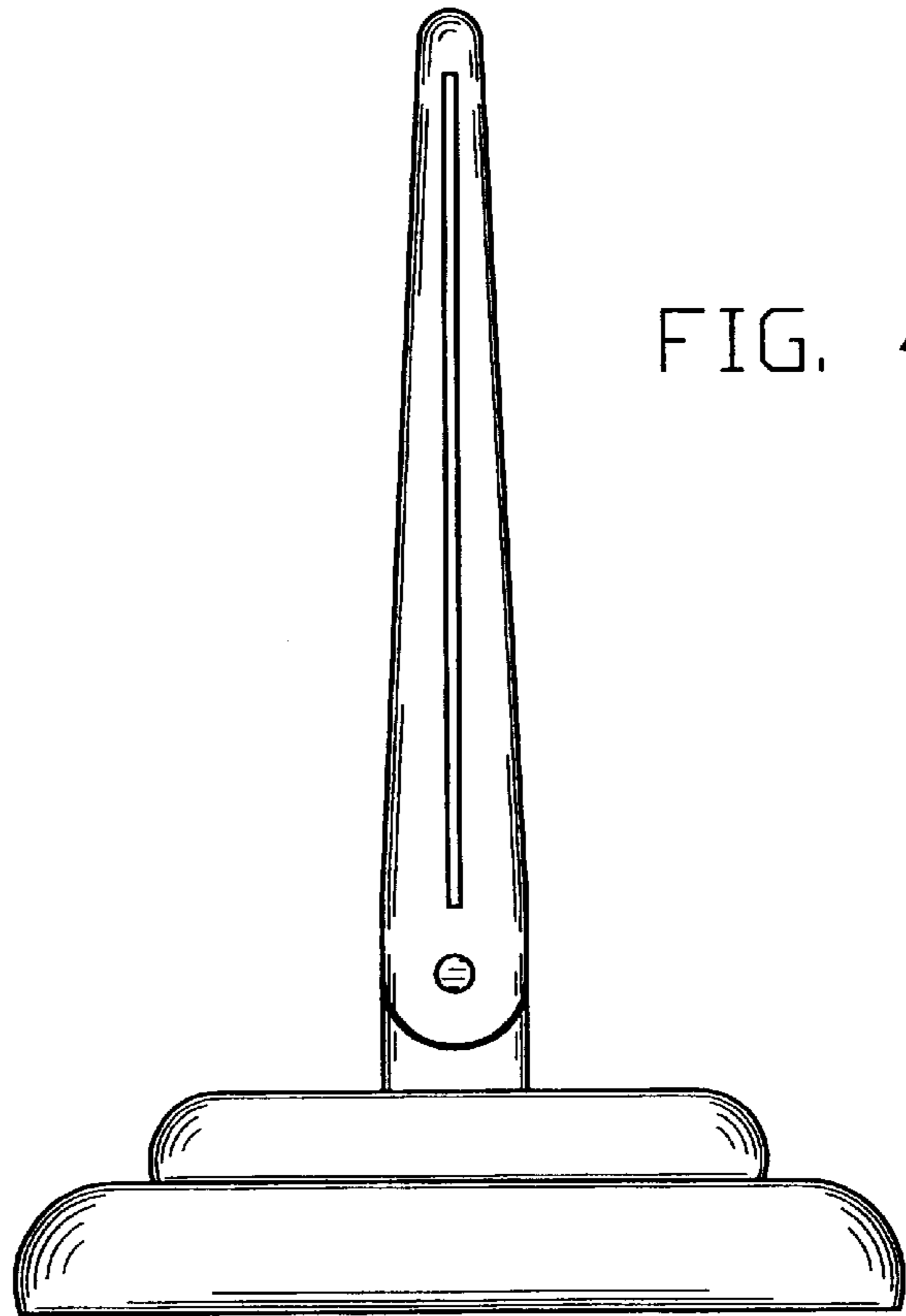


FIG. 4



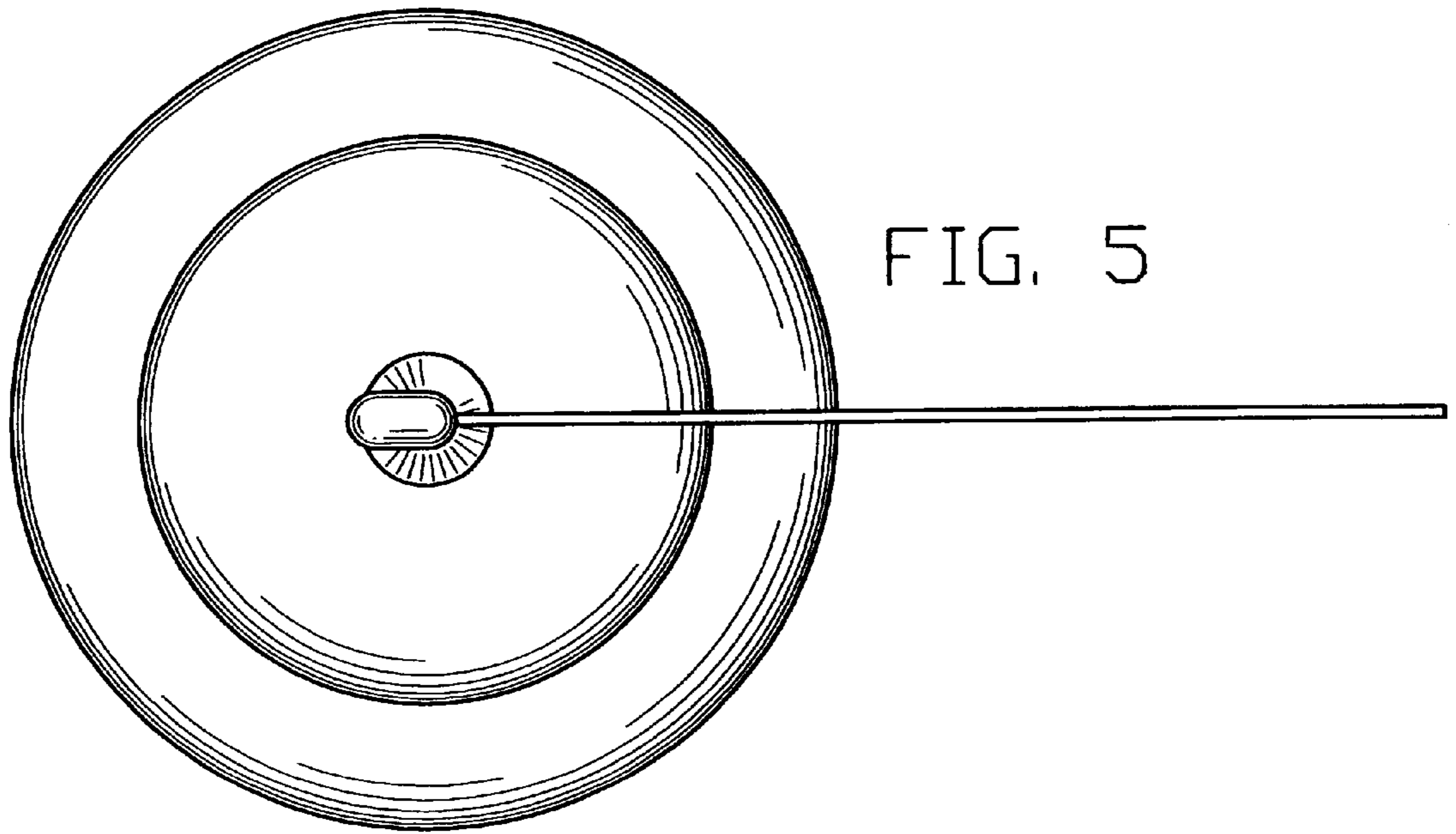


FIG. 5

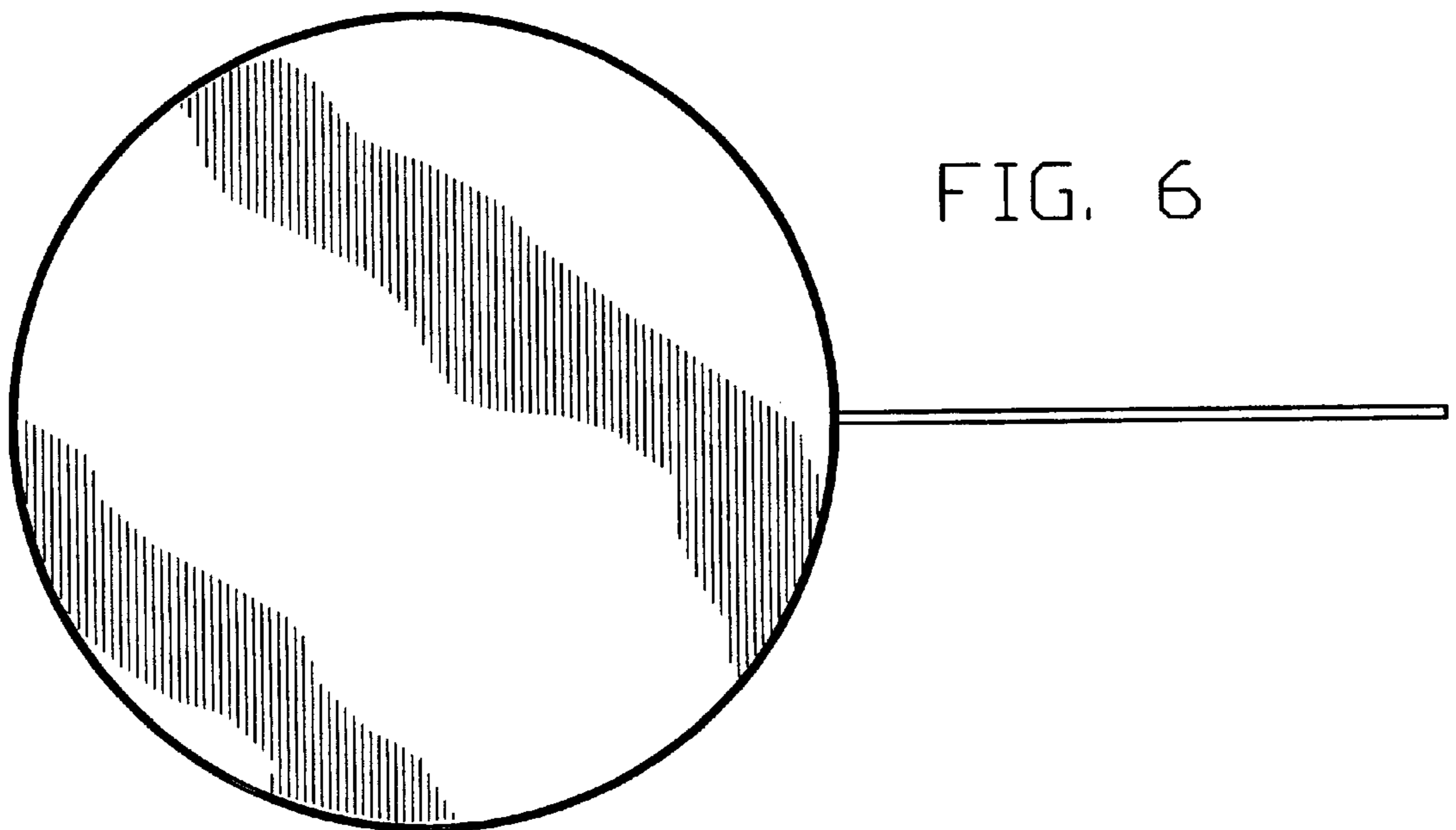


FIG. 6



FIG. 7

