



US00D438815S

(12) **United States Design Patent**  
**Shin**

(10) **Patent No.:** **US D438,815 S**

(45) **Date of Patent:** **\*\* Mar. 13, 2001**

(54) **CHRISTMAS TREE LIGHT DECORATION**

(76) Inventor: **Cheng Yuh Shin**, P.O. Box 82-144,  
Taipei (TW)

(\*\*) Term: **14 Years**

(21) Appl. No.: **29/126,891**

(22) Filed: **Jul. 21, 2000**

(51) **LOC (7) Cl.** ..... **11-05**

(52) **U.S. Cl.** ..... **D11/118; D11/125**

(58) **Field of Search** ..... D11/118, 121,  
D11/125; 428/18; D26/100; 362/123, 806

(56) **References Cited**

**U.S. PATENT DOCUMENTS**

D. 330,572 \* 10/1992 Gehlbach ..... D11/118

D. 406,790 \* 3/1999 Leather ..... D11/118 X  
D. 431,774 \* 10/2000 Davis ..... D11/118 X

\* cited by examiner

*Primary Examiner*—Dominic Simone  
(74) *Attorney, Agent, or Firm*—A & J

(57) **CLAIM**

The ornamental design for a Christmas tree light decoration,  
as shown and described.

**DESCRIPTION**

FIG. 1 is a perspective view of a Christmas tree light  
decoration showing my new design.

FIG. 2 is a front side elevation view thereof;

FIG. 3 is a rear side elevation view thereof;

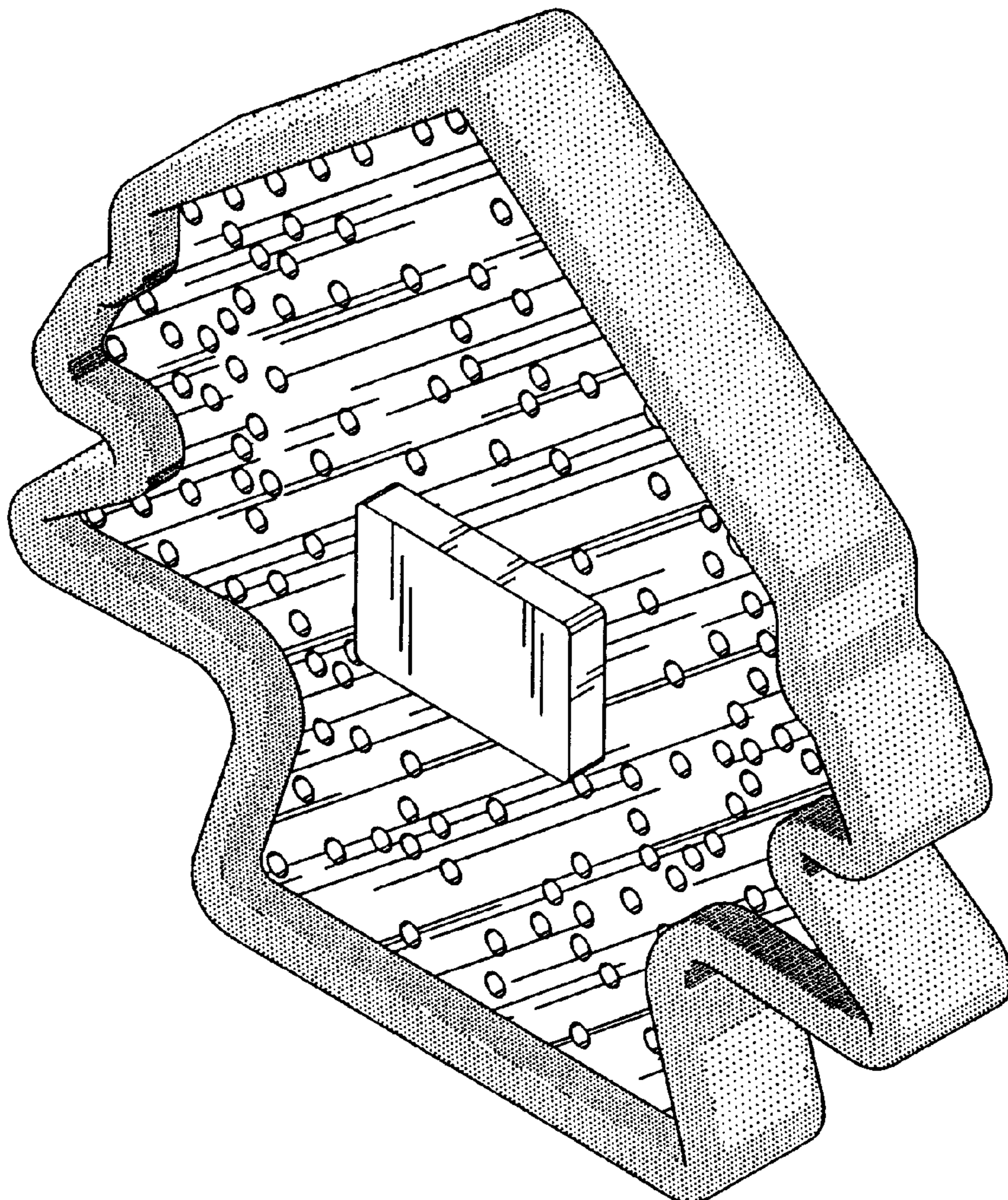
FIG. 4 is a left side elevation view thereof;

FIG. 5 is a right side elevation view thereof;

FIG. 6 is a top plan view thereof; and,

FIG. 7 is a bottom plan view thereof.

**1 Claim, 3 Drawing Sheets**



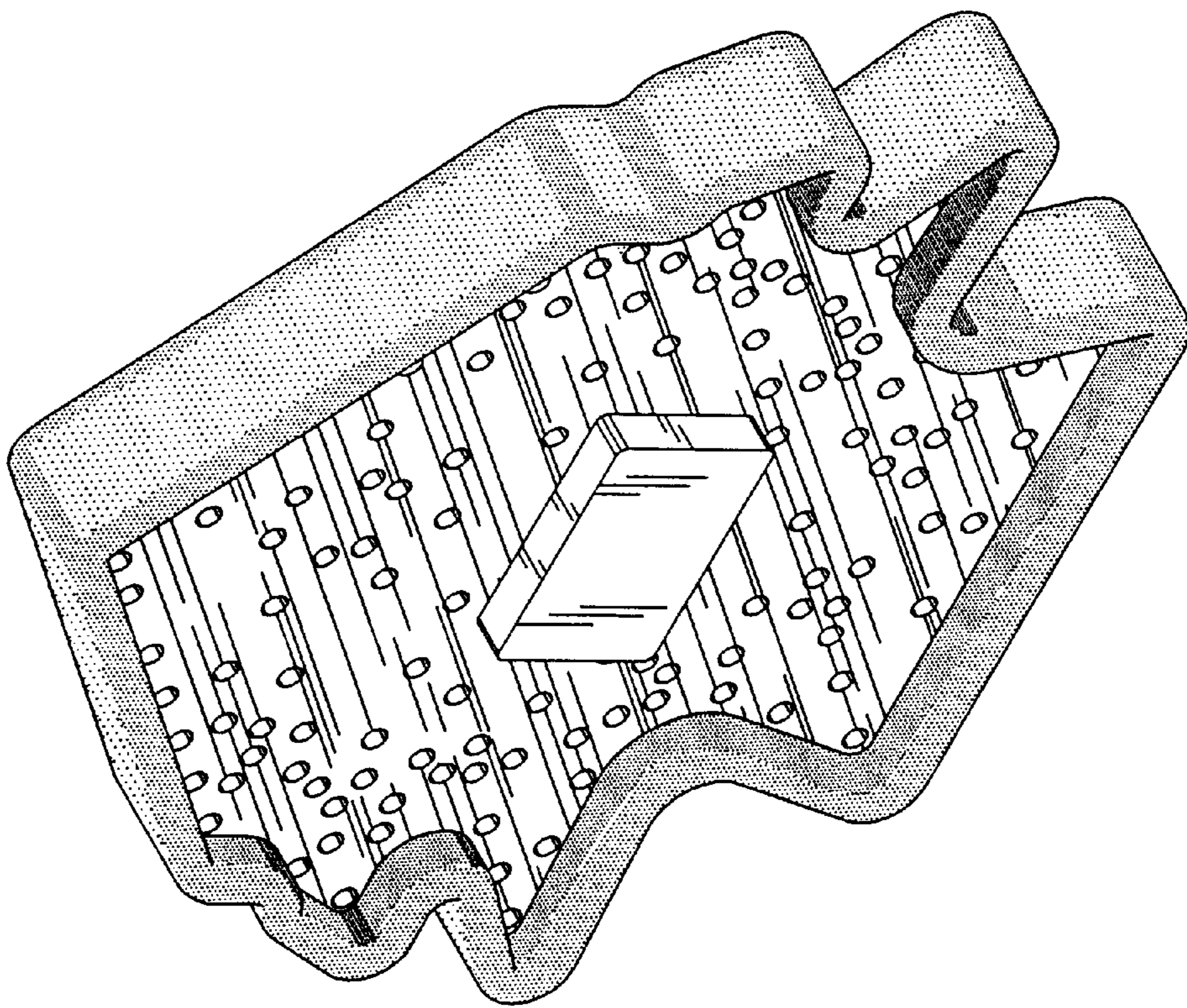


FIG. 1

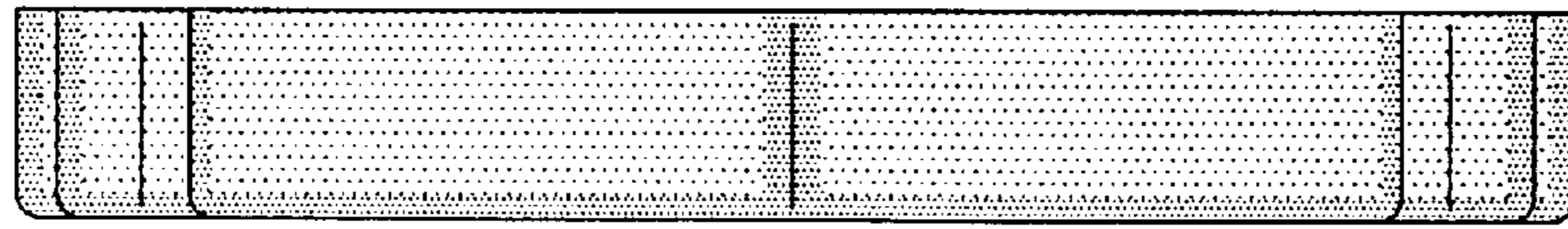


FIG. 6

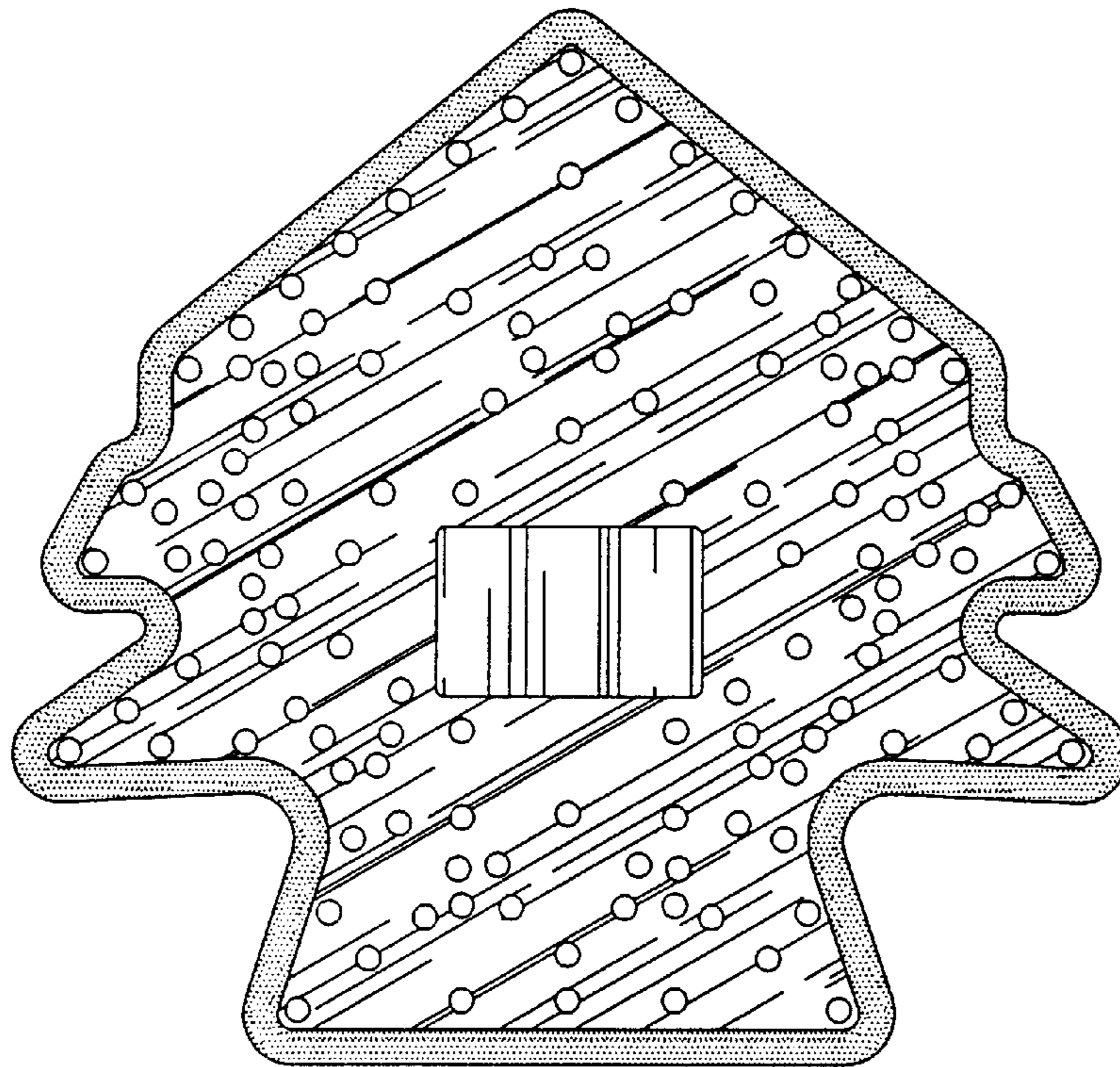


FIG. 2

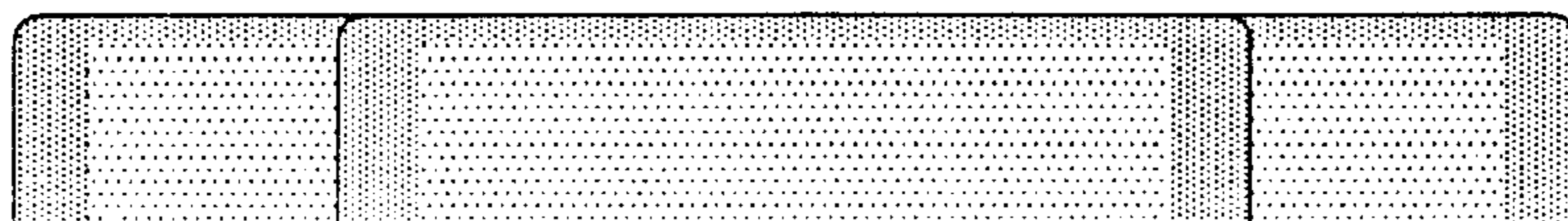
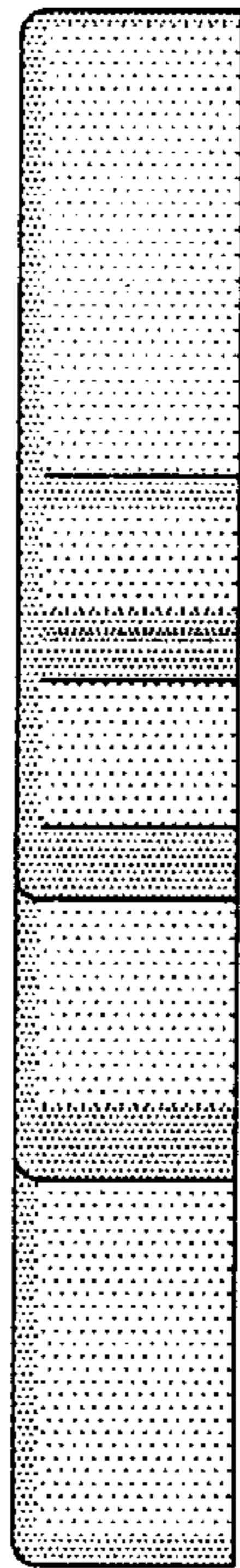
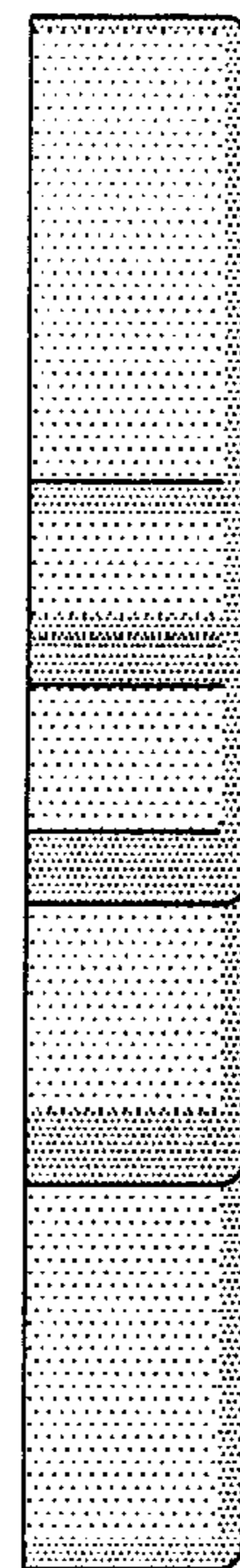


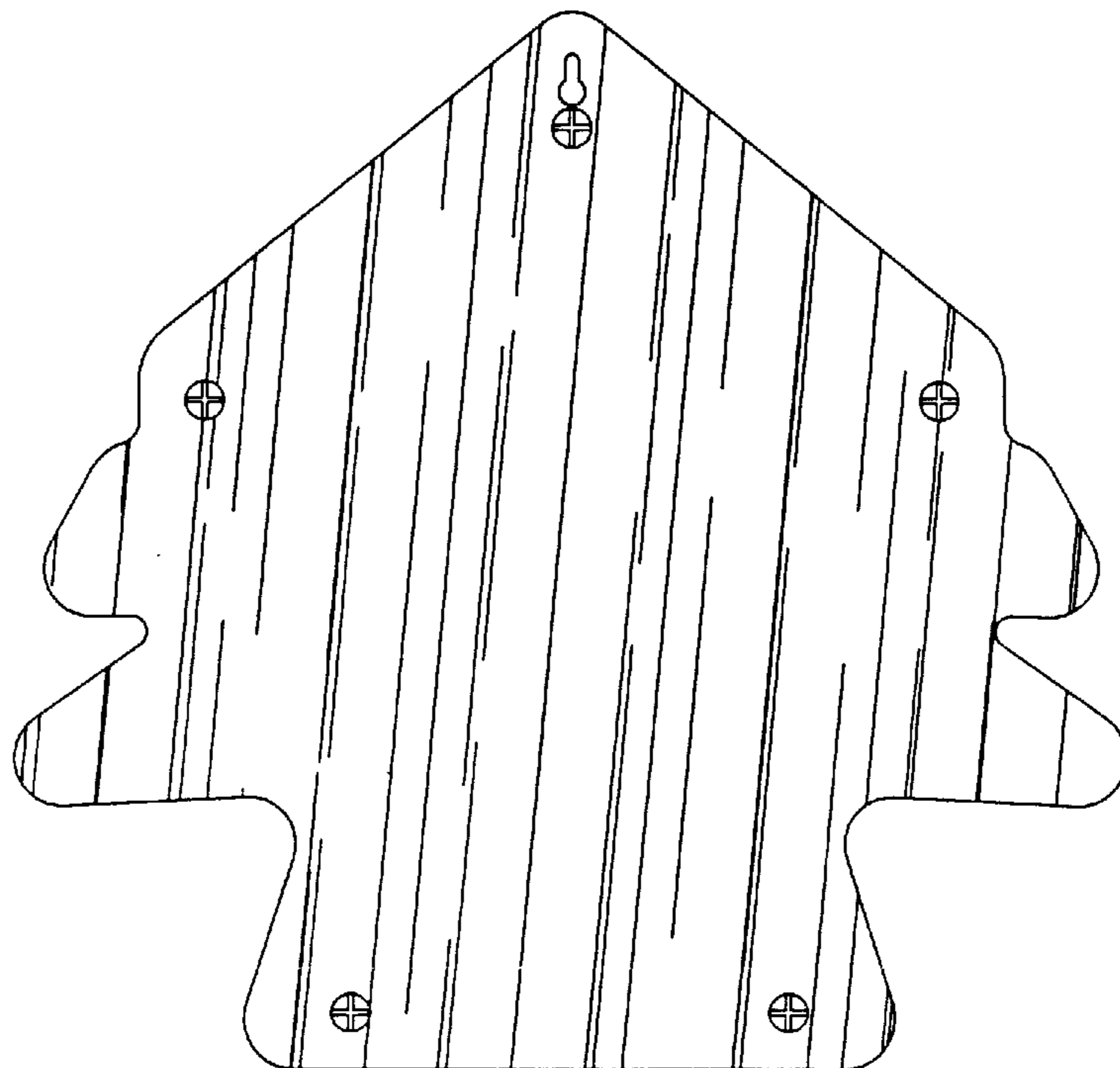
FIG. 7



**FIG. 4**



**FIG. 5**



**FIG. 3**