



US00D438808S

(12) **United States Design Patent**
Dwertmann

(10) **Patent No.:** **US D438,808 S**
(45) **Date of Patent:** **** Mar. 13, 2001**

(54) **MOISTURE ANALYZER**

FOREIGN PATENT DOCUMENTS

(75) Inventor: **Clemens Dwertmann**, Lastrup (DE)

3305846 8/1984 (DE) .

(73) Assignee: **Sartorius Aktiengesellschaft**,
Goettingen (DE)

* cited by examiner

(**) Term: **14 Years**

Primary Examiner—Antoine Duval Davis
(74) *Attorney, Agent, or Firm*—Sughrue, Mion, Zinn,
Macpeak & Seas, PLLC

(21) Appl. No.: **29/119,971**

(57) **CLAIM**

(22) Filed: **Mar. 14, 2000**

The ornamental design for a moisture analyzer, as shown and described.

(30) **Foreign Application Priority Data**

DESCRIPTION

Sep. 15, 1999 (DE) 4 99 08 788

(51) **LOC (7) Cl.** **10-04**

(52) **U.S. Cl.** **D10/88; D10/91; D10/81**

(58) **Field of Search** D10/81, 88, 91;
34/60, 89, 177, 192, 194, 197, 202, 236,
237, 238; 177/144, 245; 374/14; 73/76

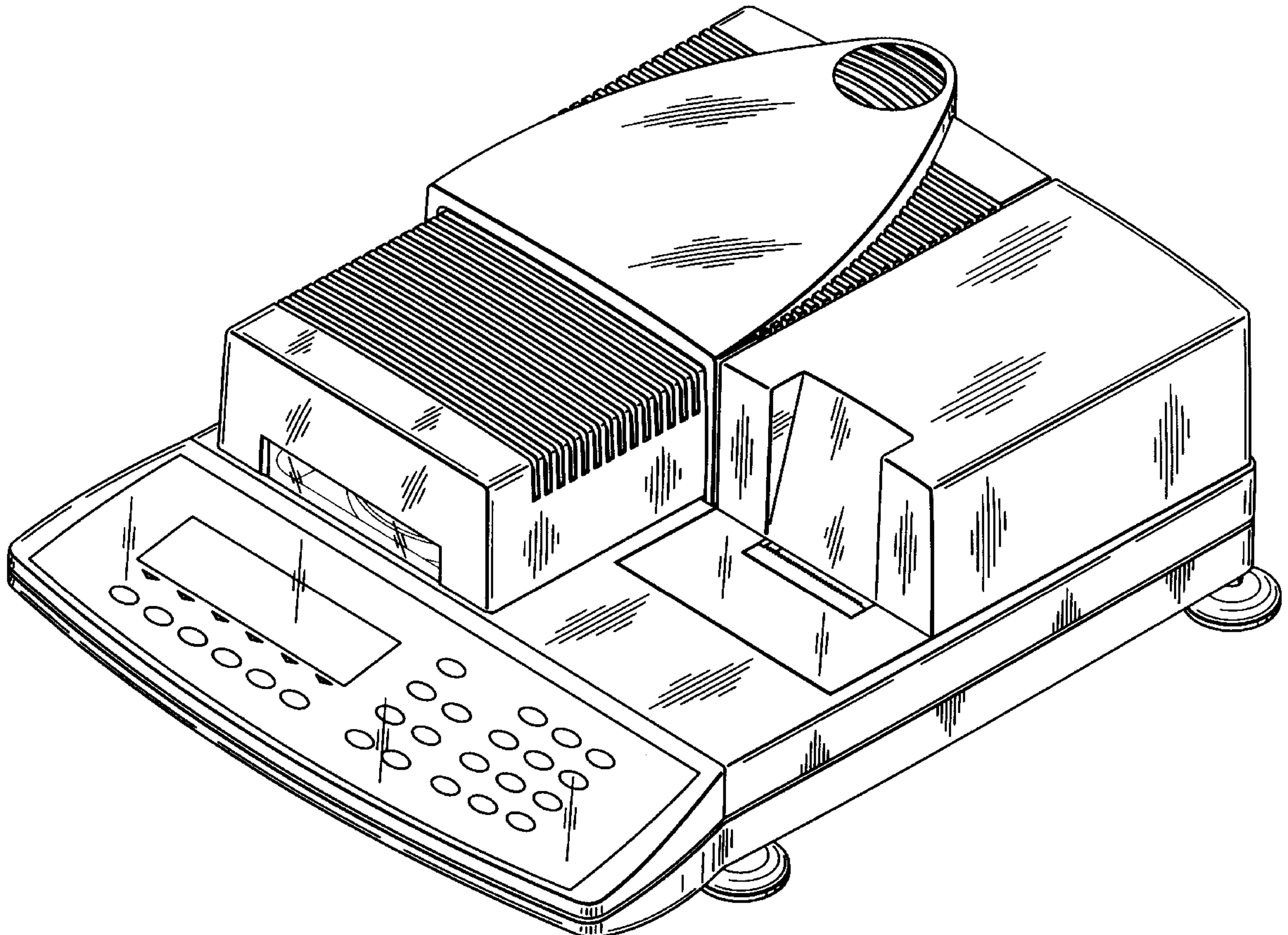
FIG. 1 is a perspective view of the top, front and right side of a moisture analyzer showing my new design; FIG. 2 is a right side elevational view thereof; FIG. 3 is a left side elevational view thereof; FIG. 4 is a front elevational view thereof; FIG. 5 is a rear elevational view thereof; FIG. 6 is a top plan view thereof; FIG. 7 is a bottom plan view thereof; FIG. 8 is a view similar to FIG. 1 with a cover retracted; FIG. 9 is a right side elevational view thereof; FIG. 10 is a left side elevational view thereof; FIG. 11 is a front elevational view thereof; and, FIG. 12 is a top plan view thereof.

(56) **References Cited**

U.S. PATENT DOCUMENTS

- D. 355,384 * 2/1995 Jacquet et al. D10/88
- 4,666,007 5/1987 Knothe et al. 177/245
- 4,889,201 12/1989 Oldendorf et al. 177/25.14
- 5,787,600 8/1998 Leisinder et al. 34/89
- 6,092,924 * 7/2000 Scalese et al. 374/14

1 Claim, 9 Drawing Sheets



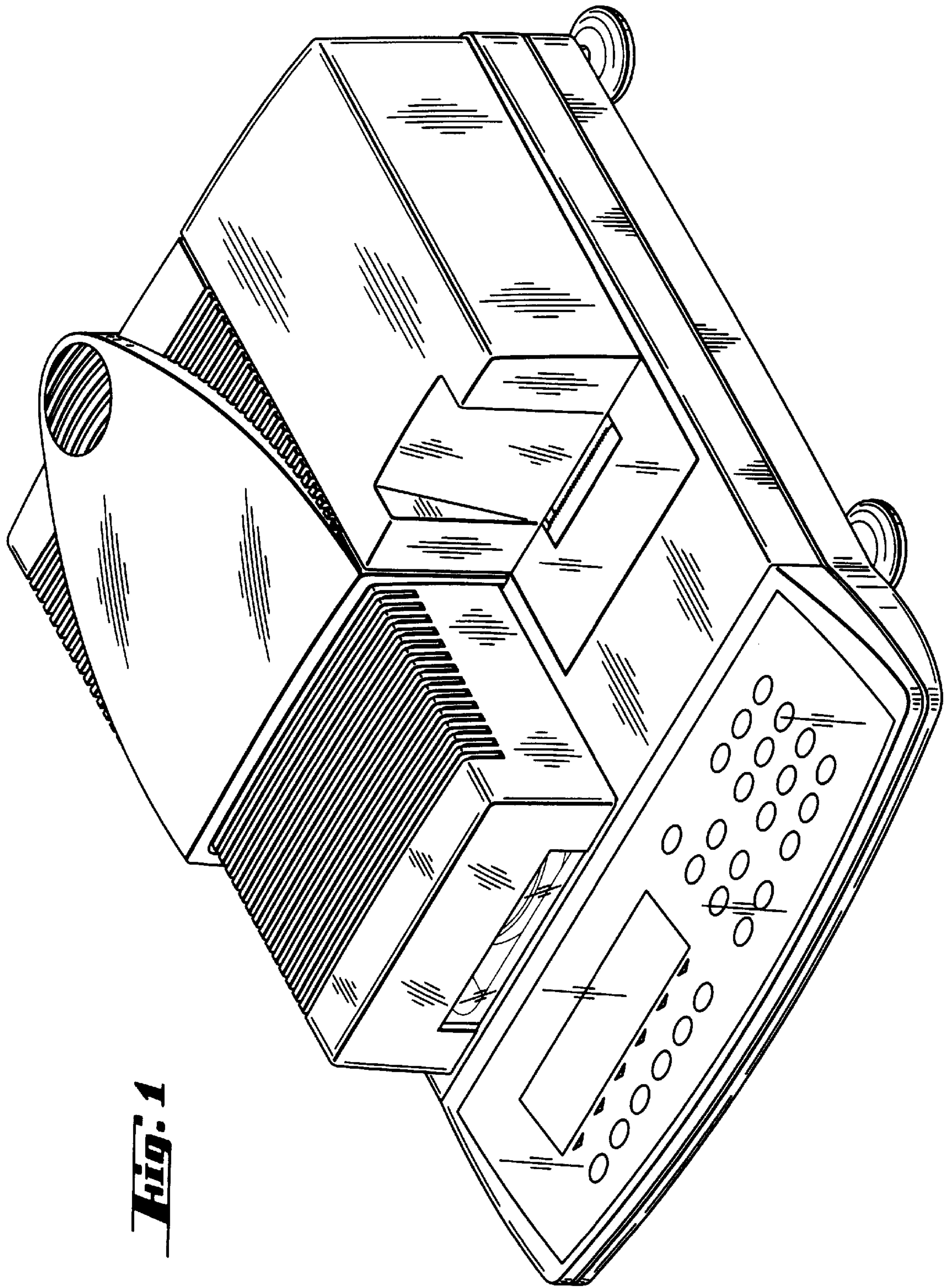


Fig. 1

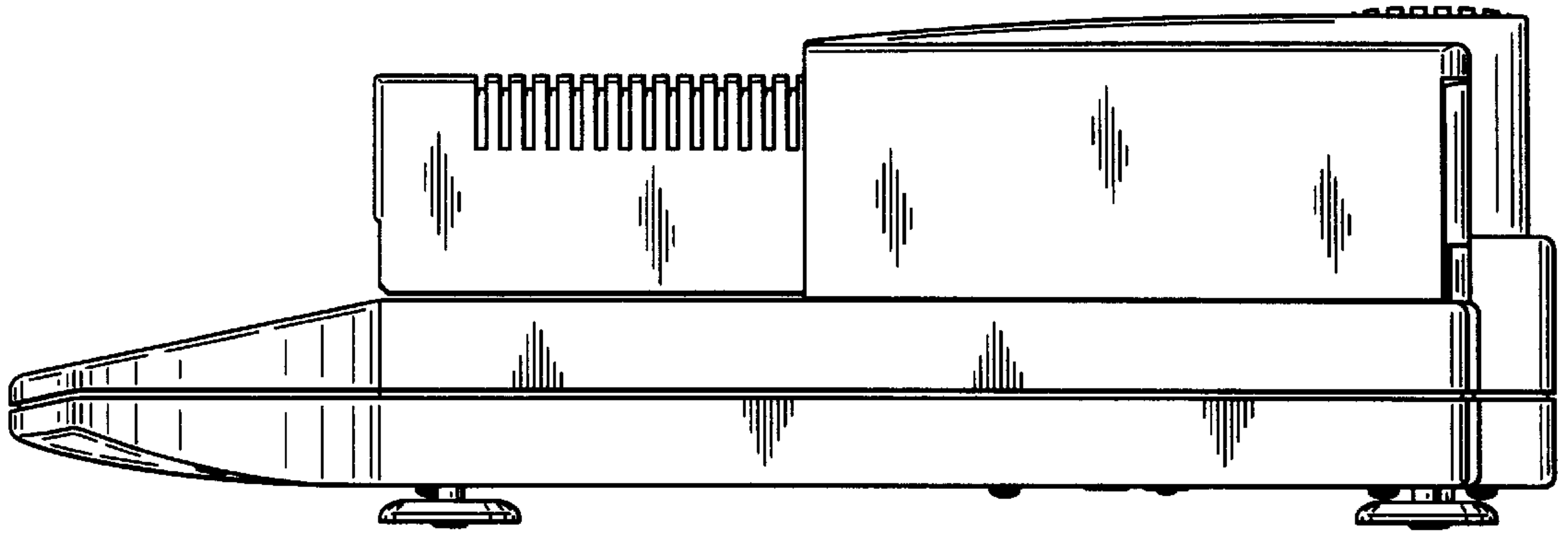


Fig. 2

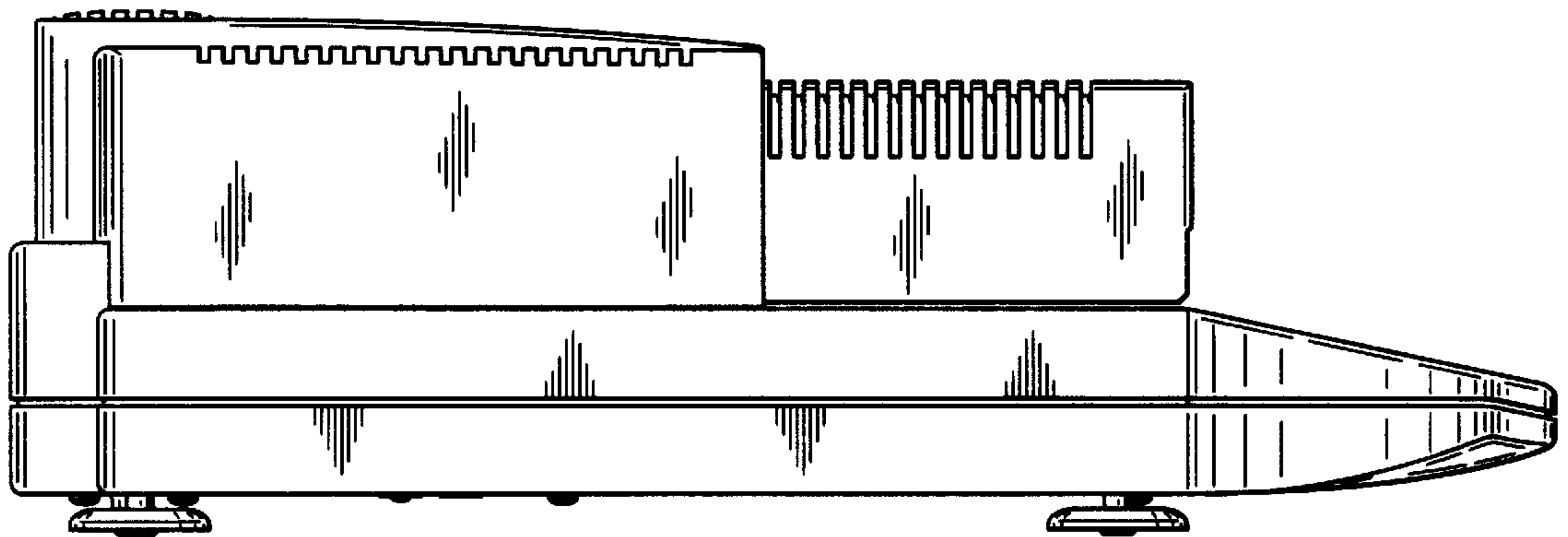


Fig. 3

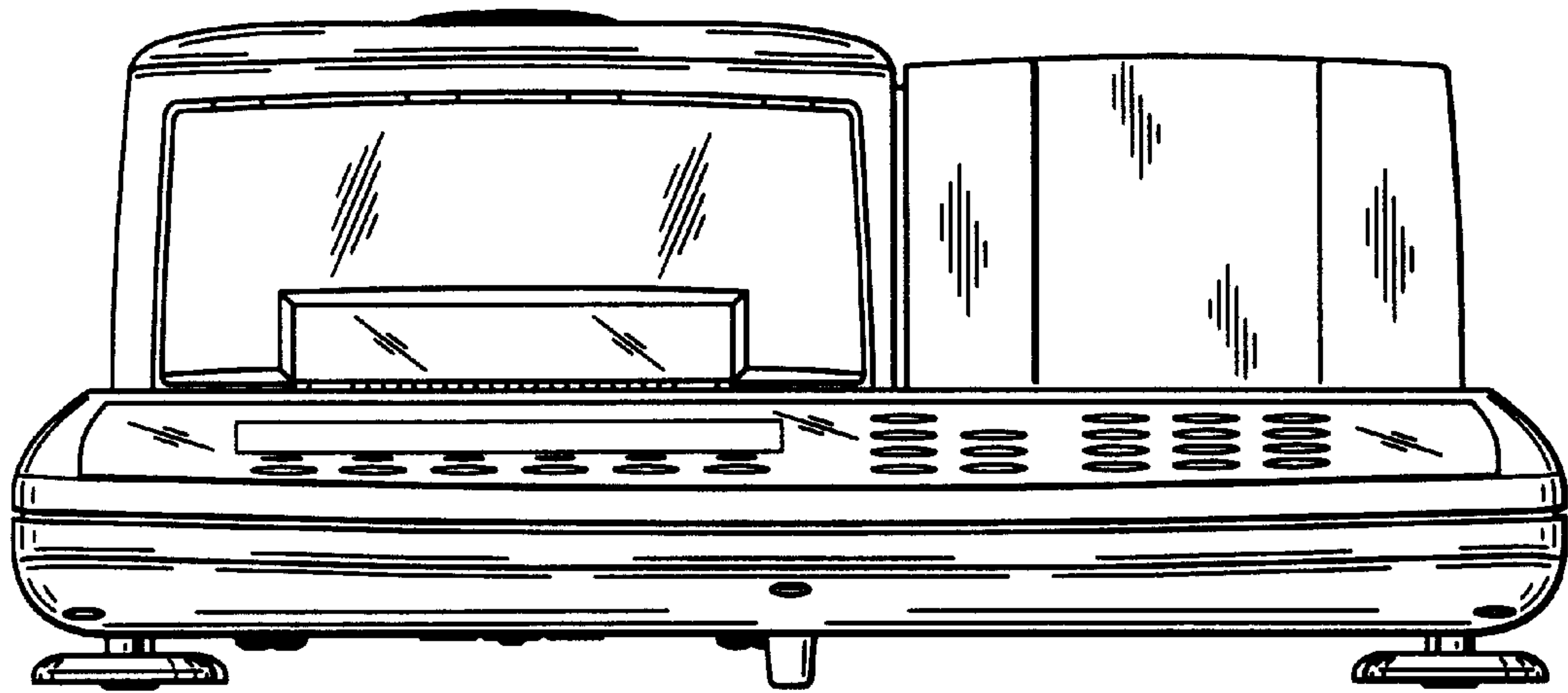


Fig. 4

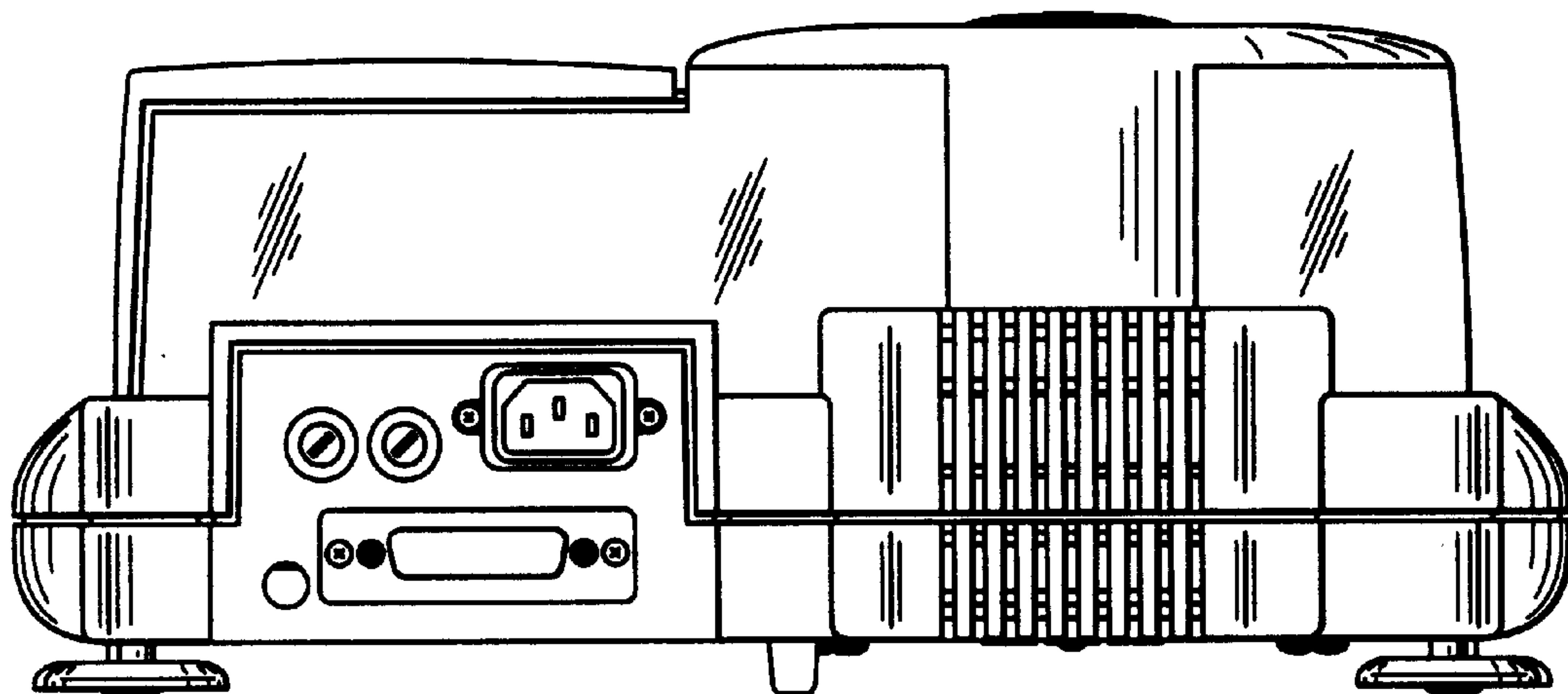


Fig. 5

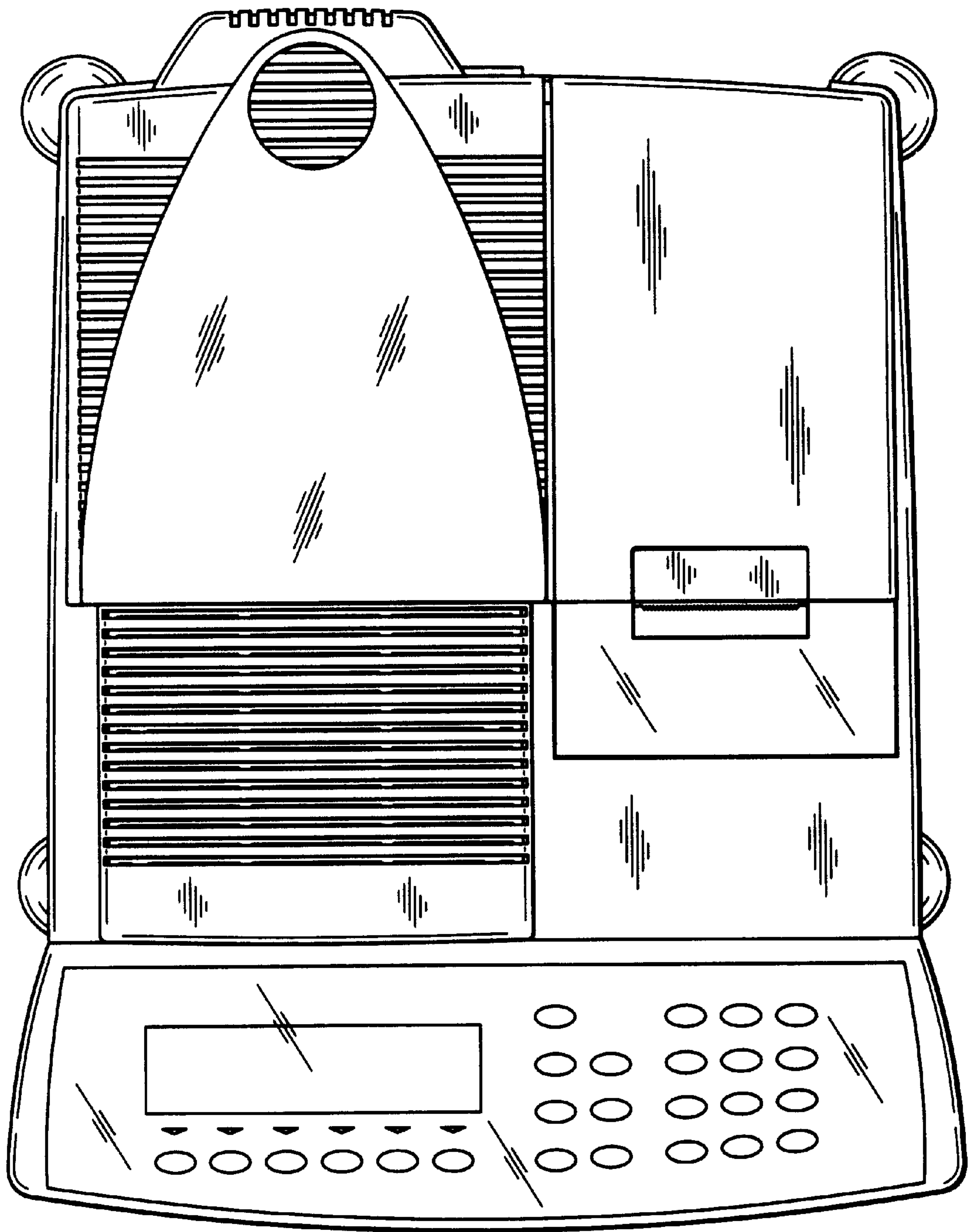


Fig. 6

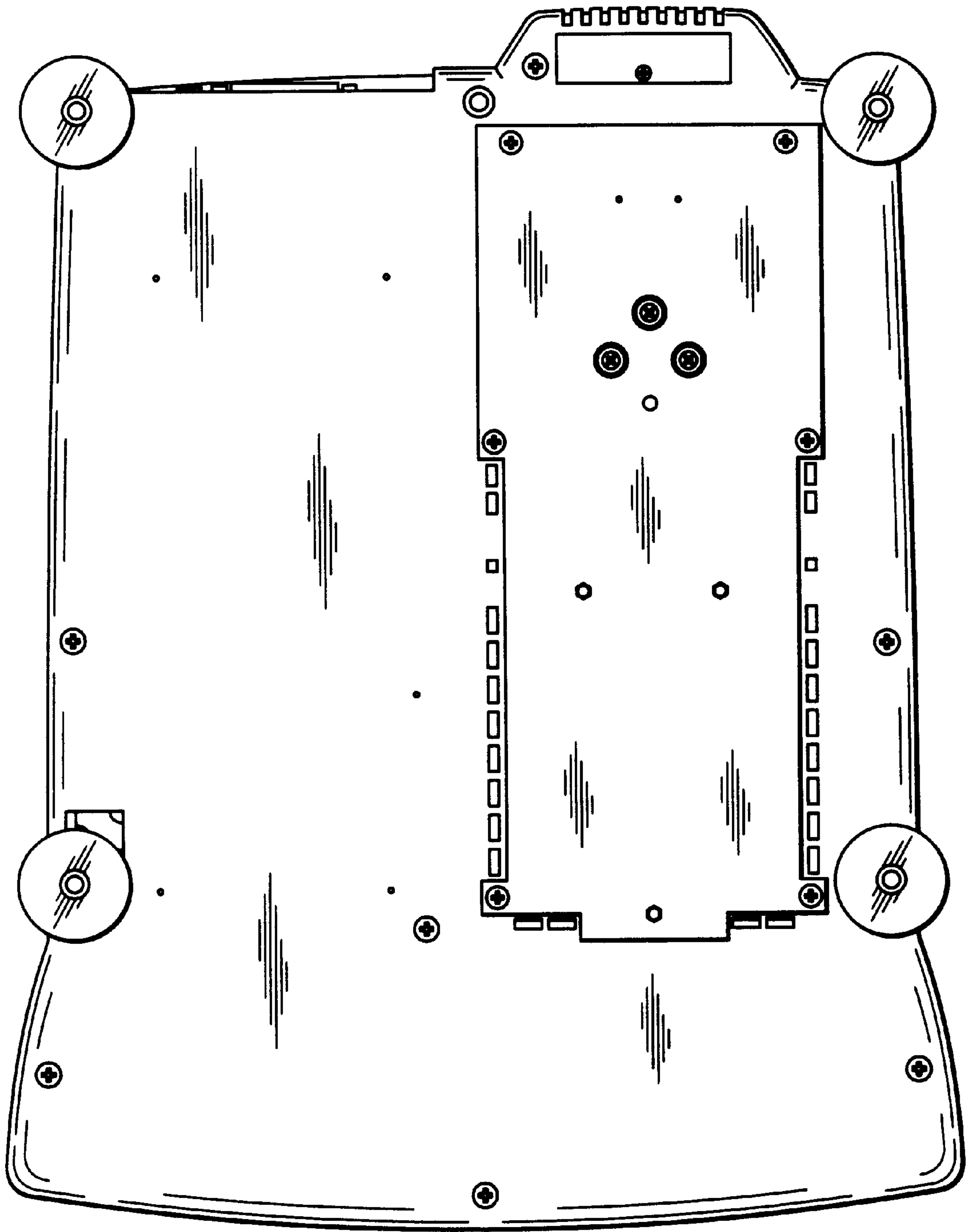


Fig. 7

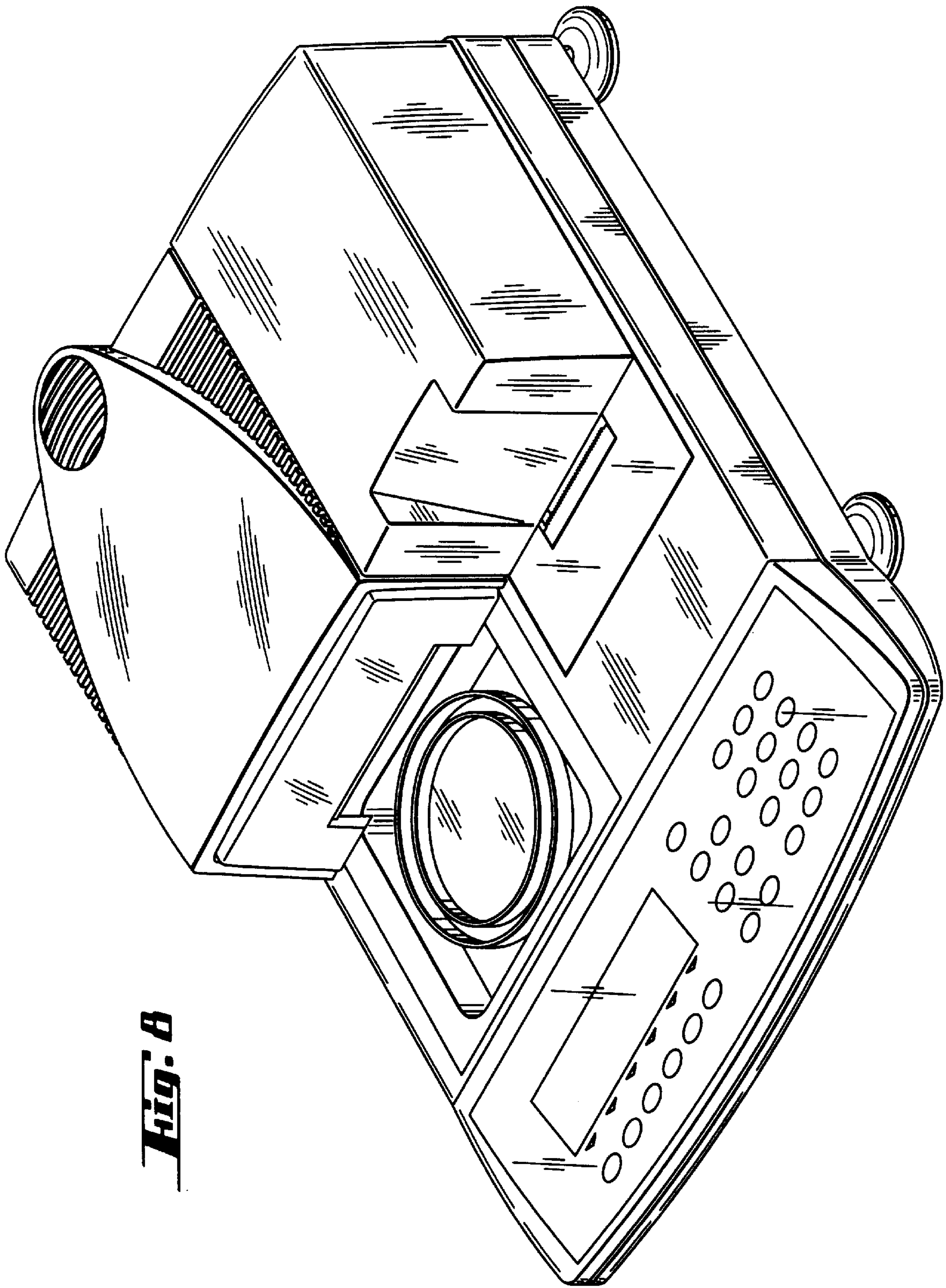


Fig. 8

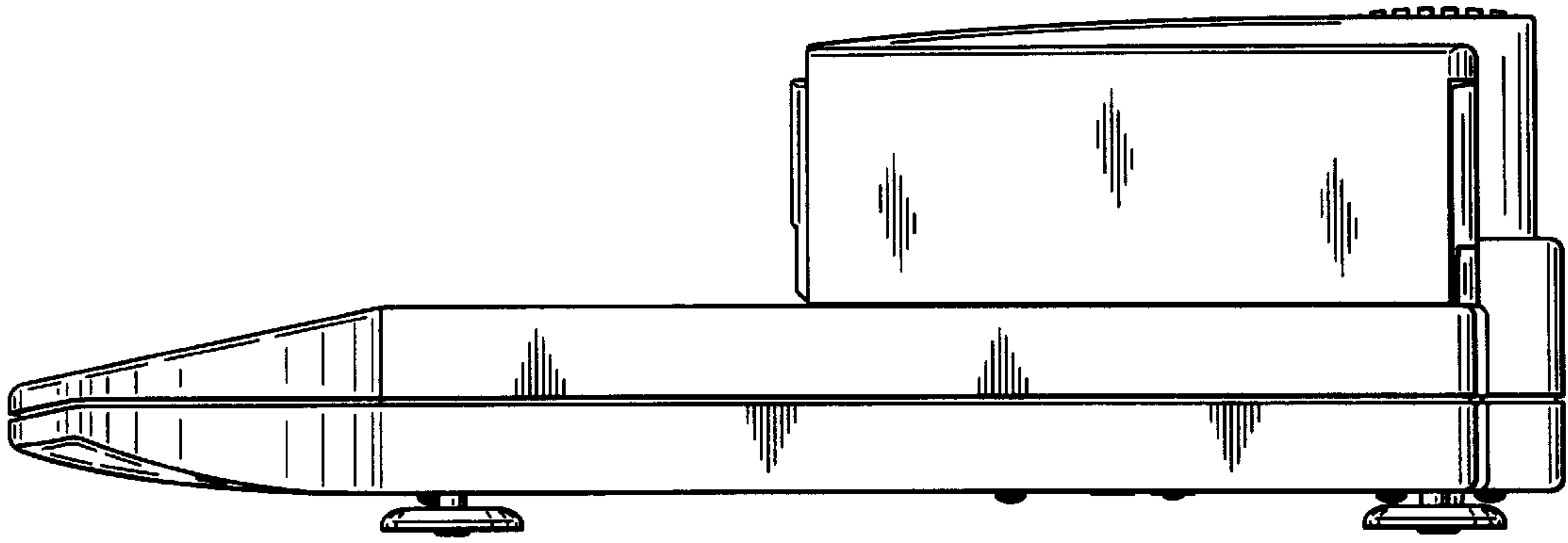


Fig. 9

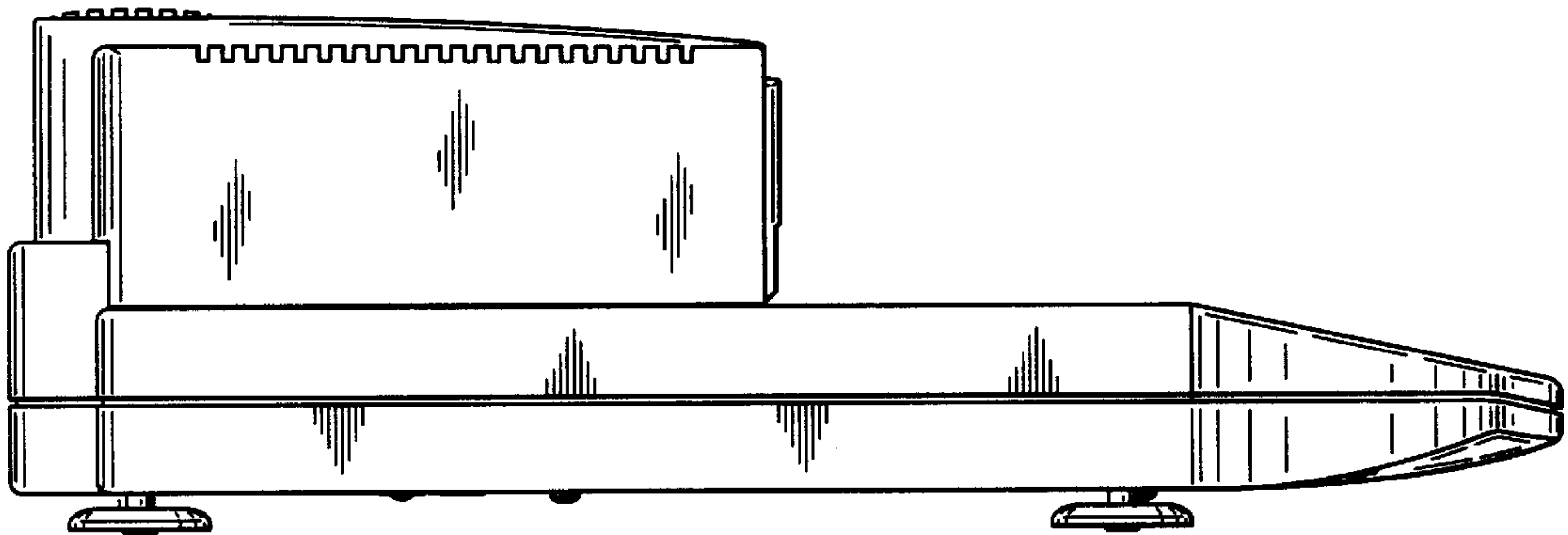


Fig. 10

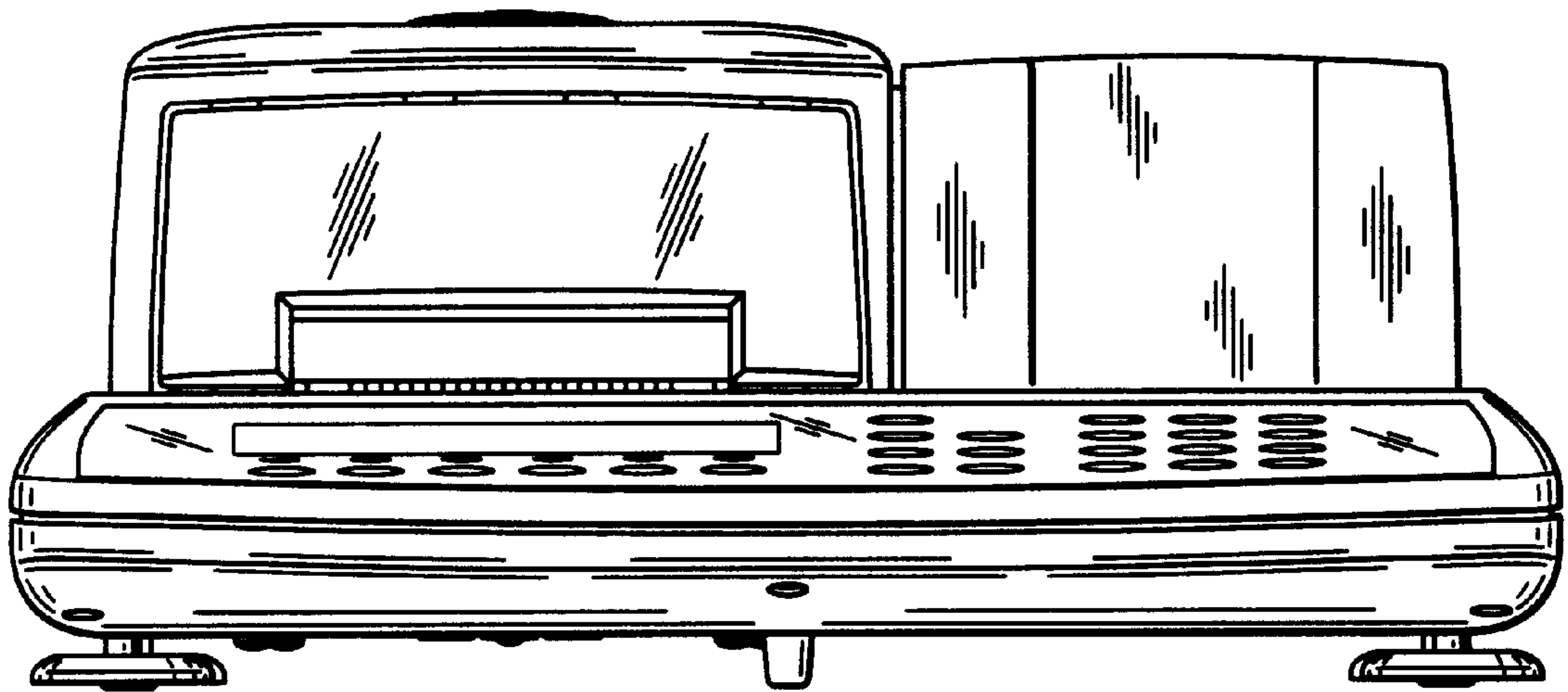


Fig. 11

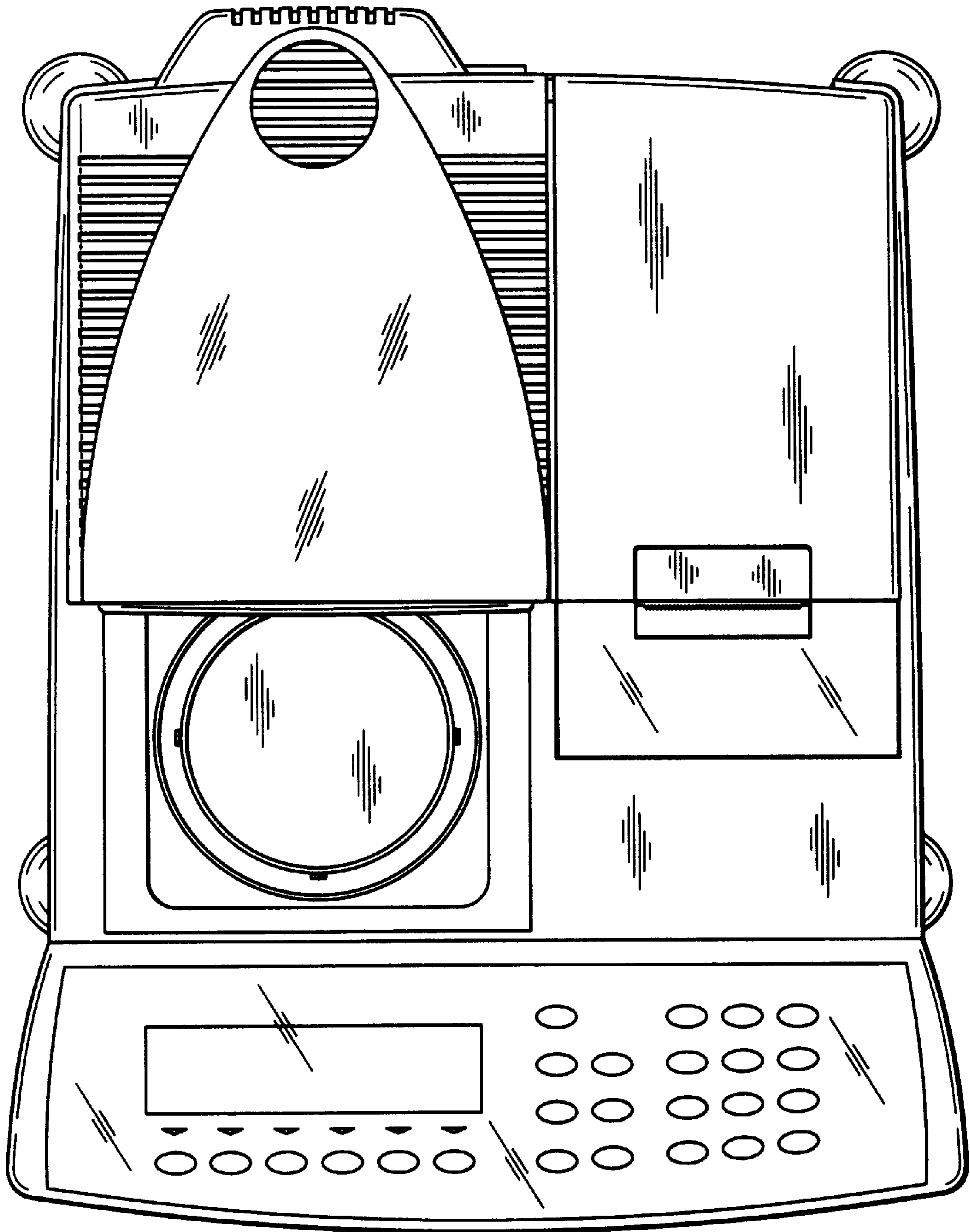


Fig. 12