



US00D438801S

(12) **United States Design Patent**
Mohary et al.

(10) **Patent No.: US D438,801 S**

(45) **Date of Patent: ** *Mar. 13, 2001**

- (54) **COMBINED BOTTLE AND CAP**
- (75) Inventors: **Stephen J. Mohary**, Pennington, NJ (US); **Craig M. Saunders**, Rocky River; **Jesse P. Carlson**, Cleveland, both of OH (US); **Milton R. Dallas, Jr.**, East Troy, WI (US)
- (73) Assignee: **Johnson&Johnson Consumer Products, Inc.**, Skillman, NJ (US)
- (*) Notice: This patent is subject to a terminal disclaimer.
- (**) Term: **14 Years**

56189	2/1970	(AU) .
66986	1/1976	(AU) .
76857	1/1979	(AU) .
86002	12/1981	(AU) .
87445	9/1982	(AU) .
106458	1/1990	(AU) .
1046518	10/1966	(GB) .
2 098 958	12/1982	(GB) .
591888	9/1982	(JP) .
610725	7/1983	(JP) .
610726	7/1983	(JP) .
616708	1/1984	(JP) .
626648	3/1984	(JP) .
637143	8/1984	(JP) .
615188	9/1984	(JP) .
677274	4/1986	(JP) .
689850	10/1986	(JP) .
706448	1/1987	(JP) .

- (21) Appl. No.: **29/076,356**
- (22) Filed: **Sep. 9, 1997**

(List continued on next page.)

- (51) **LOC (7) Cl. 09-01**
- (52) **U.S. Cl. D9/520; D9/529; D9/539; D9/542**
- (58) **Field of Search D9/520, 539, 540, D9/542, 543, 550, 563, 571, 447, 449, 450; 215/382-384, 235, 237; 222/212, 213, 215, 556**

OTHER PUBLICATIONS

Packaging Review, Published Mar., 1983, p. 35.
 Modern Plastics (Mid-Oct. issue, 1990) vol. 67, No. 11, pp. 306-307.
 The Wiley Encyclopedia of Packaging Technology, p. 54-65 and p. 172-185(1986).

Primary Examiner—Lucy Lieberman
 (74) *Attorney, Agent, or Firm*—Michele G. Mangini

(56) **References Cited**

U.S. PATENT DOCUMENTS

D. 48,813	4/1916	Dawson .
D. 86,629	3/1932	Nitardy .
D. 91,653	3/1934	Guyer .
D. 91,691	3/1934	Steuer .
D. 113,422	2/1939	Hiolle .
D. 149,950	6/1948	Klebanoff .
D. 158,071	4/1950	Guerlain .
D. 161,698	1/1951	Lorenzen .
D. 175,306	8/1955	Hennessy .
D. 181,056	9/1957	Jenkins .

(List continued on next page.)

FOREIGN PATENT DOCUMENTS

44931	6/1968	(AU) .
-------	--------	--------

(57) **CLAIM**

The ornamental design for a combined bottle and cap, as shown and described.

DESCRIPTION

FIG. 1 is a perspective view of a combined bottle and cap of our new design;
 FIG. 2 is a front elevational view thereof, the rear elevation being a mirror image;
 FIG. 3 is a left side elevational view thereof;
 FIG. 4 is a right side elevational view thereof;
 FIG. 5 is a top plan view thereof; and,
 FIG. 6 is a bottom plan view thereof.

1 Claim, 5 Drawing Sheets



US D438,801 S

U.S. PATENT DOCUMENTS					
D. 189,374	11/1960	Harris .	2,035,404	3/1936	Quinn .
D. 189,460	12/1960	Richter .	2,175,052	10/1939	Bull et al. .
D. 194,245	12/1962	Yoshizumi .	2,334,032	11/1943	Rhodes .
D. 195,787 *	7/1963	Thompson	2,546,709	3/1951	Abarr .
D. 199,817 *	12/1964	Harris et al.	2,594,040	4/1952	Le Clair .
D. 204,707	5/1966	Abbott .	2,758,755	8/1956	Schafler .
D. 207,429	4/1967	McLean .	3,063,601	11/1962	Hertz .
D. 211,319 *	6/1968	Jeronimus	3,135,456	6/1964	Palazzolo .
D. 212,278	9/1968	Weckman .	3,172,575	3/1965	Vosburg .
D. 214,874	8/1969	Vanderhyde .	3,430,825 *	3/1969	Wilson .
D. 217,591 *	5/1970	Biscoe	3,503,544	3/1970	Setera .
D. 219,727	1/1971	Weckman .	3,516,115	6/1970	Koleske .
D. 220,167	3/1971	Barker .	3,629,901	12/1971	Wolf .
D. 220,561	4/1971	Quintal .	3,672,114	6/1972	Sacks .
D. 221,133	7/1971	Wikke .	3,685,700	8/1972	Martin .
D. 223,438	4/1972	Lluch .	3,741,447	6/1973	Miles et al. .
D. 225,834	1/1973	Kneapler .	3,854,618	12/1974	Beghnini .
D. 232,079	7/1974	Luedtke .	3,933,271	1/1976	McGhie .
D. 237,946 *	12/1975	Pardo	4,124,151	11/1978	Hazard .
D. 238,554 *	1/1976	Pardo	4,133,457	1/1979	Klassen .
D. 240,594	7/1976	Koenigsberg .	4,170,315	10/1979	Dubach et al. .
D. 244,176	5/1977	Pardo .	4,291,818	9/1981	Nozawa et al. .
D. 245,317	8/1977	Pardo .	4,382,529 *	5/1983	Drdlik
D. 246,953	1/1978	Britt .	4,402,435	9/1983	Libit .
D. 247,611 *	3/1978	Giles .	4,441,637	4/1984	Libit .
D. 249,228	9/1978	Schacher et al. .	4,533,058	8/1985	Uhlig .
D. 249,329	9/1978	Schacher et al. .	4,607,768	8/1986	Taber et al. .
D. 254,651	4/1980	Shortino .	4,632,266	12/1986	Osswald .
D. 254,652	4/1980	Shortino .	4,728,006	3/1988	Drobish, et al. .
D. 254,711	4/1980	Shortino .	4,749,108	6/1988	Dornbusch et al. .
D. 254,712	4/1980	Shortino .	4,763,801 *	8/1988	Nycz
D. 254,713	4/1980	Shortino .	4,763,803	8/1988	Schneider .
D. 254,774	4/1980	Shortino .	4,821,899	4/1989	Nycz et al. .
D. 257,504	11/1980	Weckman .	4,842,165	6/1989	Van Coney .
D. 259,181	5/1981	Saenz .	4,846,810	7/1989	Gerber .
D. 259,542	6/1981	Shortino .	4,911,314	3/1990	Schneider .
D. 260,238	8/1981	Costa .	4,911,337	3/1990	Rosenthal .
D. 260,366	8/1981	Neu .	4,969,581	11/1990	Seifert et al. .
D. 263,115	2/1982	Ohmori .	4,991,745	2/1991	Brown .
D. 263,807	4/1982	Kingsford .	4,993,606	2/1991	Bolen, Jr. et al. .
D. 270,711 *	9/1983	Weckman	4,998,633	3/1991	Schneider .
D. 280,603	9/1985	Johnson et al. .	5,005,737	4/1991	Rohr .
D. 280,604	9/1985	Johnson et al. .	5,033,655	7/1991	Brown .
D. 282,529	2/1986	Pereira et al. .	5,038,957	8/1991	Gross .
D. 292,070	9/1987	Kassamali et al. .	5,052,567	10/1991	Colani .
D. 306,265	2/1990	Leebeek .	5,115,950	5/1992	Rohr .
D. 309,423	7/1990	Alizard .	5,213,236	5/1993	Brown et al. .
D. 313,352	1/1991	Segati .	5,251,793	10/1993	Bolen, Jr. et al. .
D. 323,617	2/1992	Miller .	5,271,531	12/1993	Rohr et al. .
D. 325,783 *	4/1992	Anderson	5,330,054	7/1994	Brown .
D. 326,813	6/1992	Gavala, Jr. et al. .	5,332,131 *	7/1994	Pehr
D. 329,984	10/1992	Walravens .	5,339,995	8/1994	Brown et al. .
D. 331,877	12/1992	Robichaud .	5,348,201	9/1994	Koo .
D. 332,406	1/1993	Desgrippes et al. .	5,377,877	1/1995	Brown et al. .
D. 333,266	2/1993	Walravens .	5,395,015	3/1995	Bolen, Jr. et al. .
D. 338,824	8/1993	Chen .	5,409,144	4/1995	Brown .
D. 341,779	11/1993	Lewis .	5,417,350	5/1995	Koo .
D. 343,794	2/1994	D'Amico et al. .	5,439,143	8/1995	Brown et al. .
D. 349,045	7/1994	Schmitt .	5,523,045	6/1996	Kudert et al. .
D. 352,458	11/1994	Gray .	5,531,363	7/1996	Gross et al. .
D. 353,099	12/1994	Poisson .	5,632,420	5/1997	Lohrman et al. .
D. 363,225 *	10/1995	Kudo			
D. 365,761	1/1996	Abfier et al. .			
D. 370,413	6/1996	Gobe .			
D. 370,415	6/1996	Seppala .			
D. 374,625	10/1996	Flurer et al. .			
1,206,661	11/1916	Booth .			
1,426,241	8/1922	Zini .			
1,825,553	9/1931	Smith .			
2,022,520	11/1935	Philbrick .			

FOREIGN PATENT DOCUMENTS

	761172	5/1989	(JP) .		
	768352	8/1989	(JP) .		
	775515	8/1989	(JP) .		
	797469	10/1990	(JP) .		
	833209	3/1992	(JP) .		
	902047	6/1994	(JP) .		

* cited by examiner

FIG. 1



FIG. 2

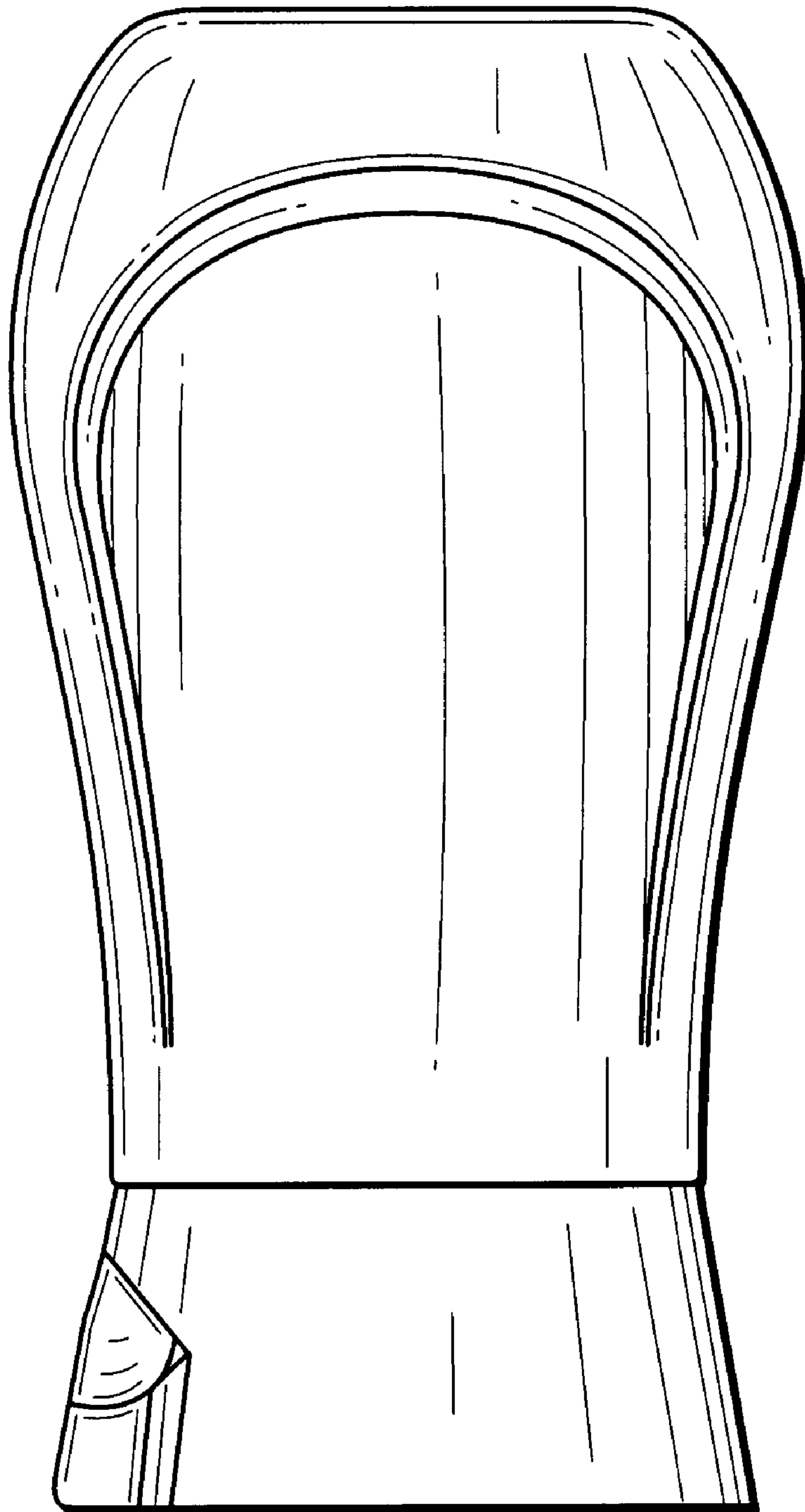


FIG. 3

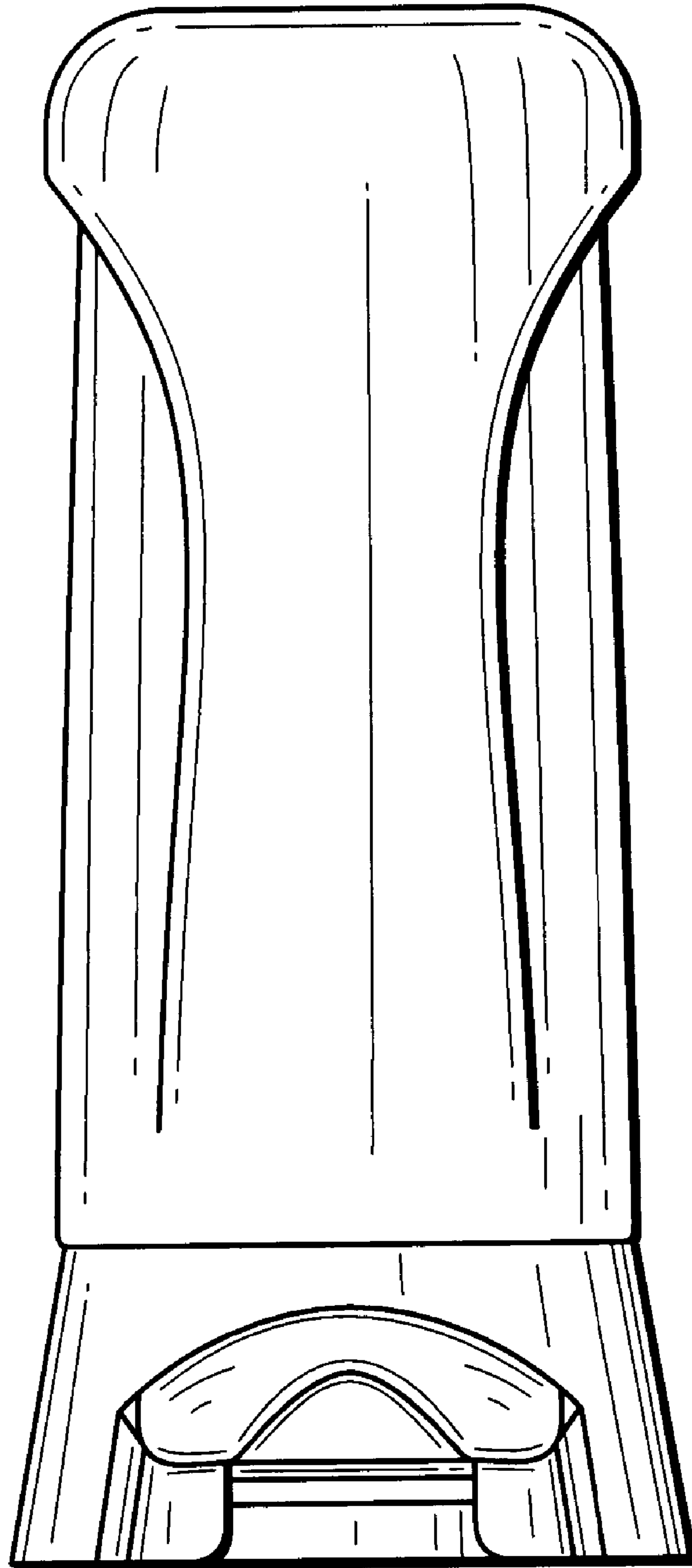


FIG. 4

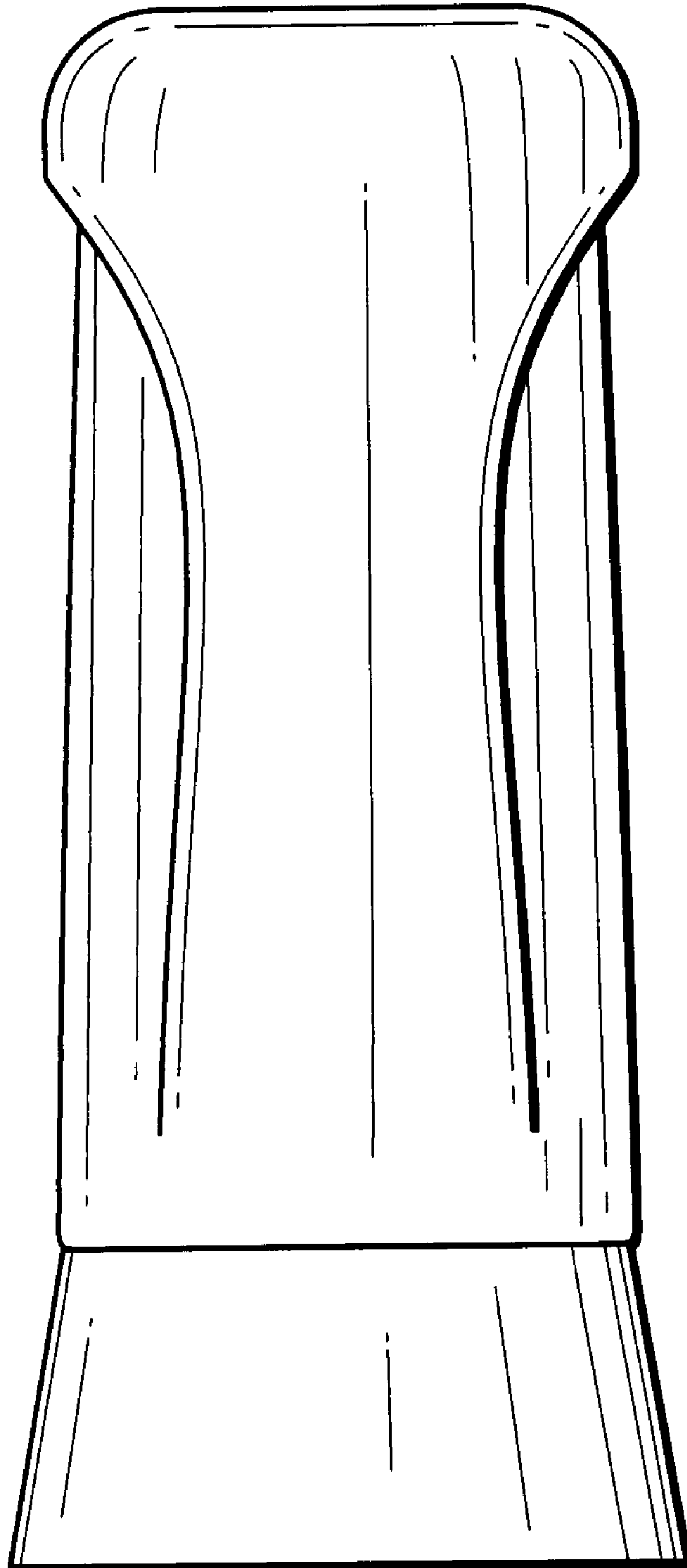


FIG. 5

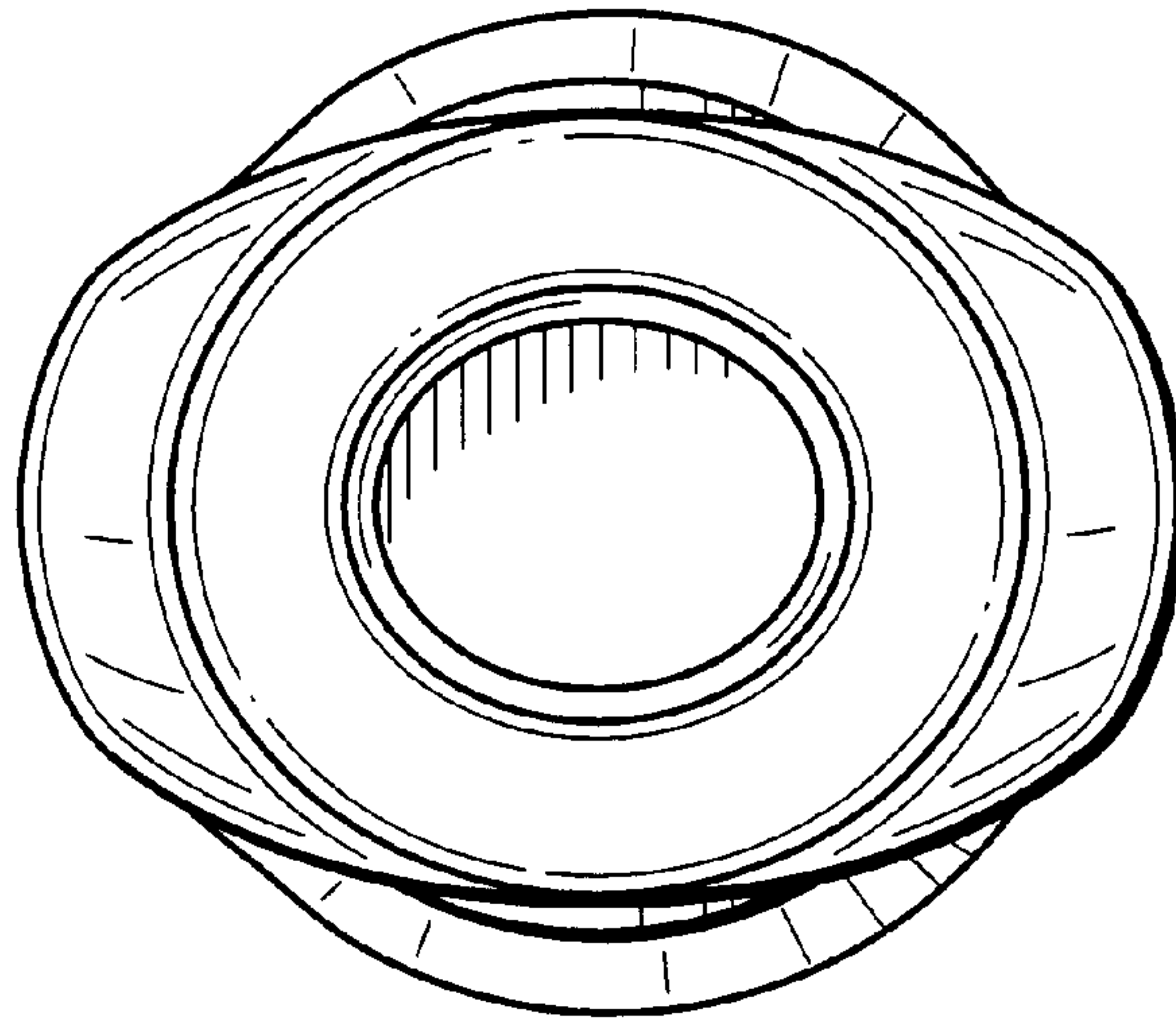


FIG. 6

