



US00D438799S

(12) **United States Design Patent**  
**Anderson**

(10) **Patent No.:** **US D438,799 S**

(45) **Date of Patent:** **\*\* Mar. 13, 2001**

(54) **FLIP-CAP CLOSURE**

(75) **Inventor:** **Jeffrey Blake Anderson**, Newmarket (CA)

(73) **Assignee:** **Colgate-Palmolive Company**, New York, NY (US)

(\*\*) **Term:** **14 Years**

(21) **Appl. No.:** **29/121,390**

(22) **Filed:** **Apr. 5, 2000**

(51) **LOC (7) Cl.** ..... **09-07**

(52) **U.S. Cl.** ..... **D9/449; D9/450**

(58) **Field of Search** ..... D9/301, 302, 435, D9/440, 442, 446, 447, 449, 450; 215/235, 236; 220/244, 334, 335, 336, 337, 338, 339, 340; 222/92, 94, 105, 107, 544, 546, 556, 557, 562

(56) **References Cited**

**U.S. PATENT DOCUMENTS**

- D. 356,026 \* 3/1995 Iaia et al. .... D9/302
- D. 358,760 \* 5/1995 Sherman et al. .... D9/302
- D. 360,576 \* 7/1995 Bech ..... D9/301
- D. 374,399 \* 10/1996 Neveras et al. .... D9/447
- D. 392,879 \* 3/1998 Couey ..... D9/302
- D. 424,422 \* 5/2000 Landhed ..... D9/302
- 4,739,906 \* 4/1988 LoTurco ..... 222/556 X
- 4,852,770 \* 8/1989 Sledge et al. .... 222/546 X
- 4,854,473 \* 8/1989 Dubach ..... 220/335
- 5,318,203 \* 6/1994 Iaia et al. .... 222/94

- 5,358,130 \* 10/1994 Mengeu et al. .... 215/235 X
- 5,423,442 \* 6/1995 Nozawa et al. .... 215/235
- 5,494,185 \* 2/1996 Dubach ..... 215/235 X
- 5,702,033 \* 12/1997 Beaver ..... 222/94

\* cited by examiner

*Primary Examiner*—Cathron Brooks

(74) *Attorney, Agent, or Firm*—Michael McGreal

(57) **CLAIM**

The ornamental design for a flip-cap closure, as shown and described.

**DESCRIPTION**

FIG. 1 is a perspective view of the flip-cap closure of my design.

FIG. 2 is a side elevation view thereof.

FIG. 3 is a front elevation view thereof.

FIG. 4 is a rear elevation view thereof

FIG. 5 is a top plan view thereof.

FIG. 6 is a bottom plan view thereof.

FIG. 7 is a perspective view of the flip-cap closure in a closed position.

FIG. 8 is a side elevation view thereof.

FIG. 9 is a front elevation view thereof.

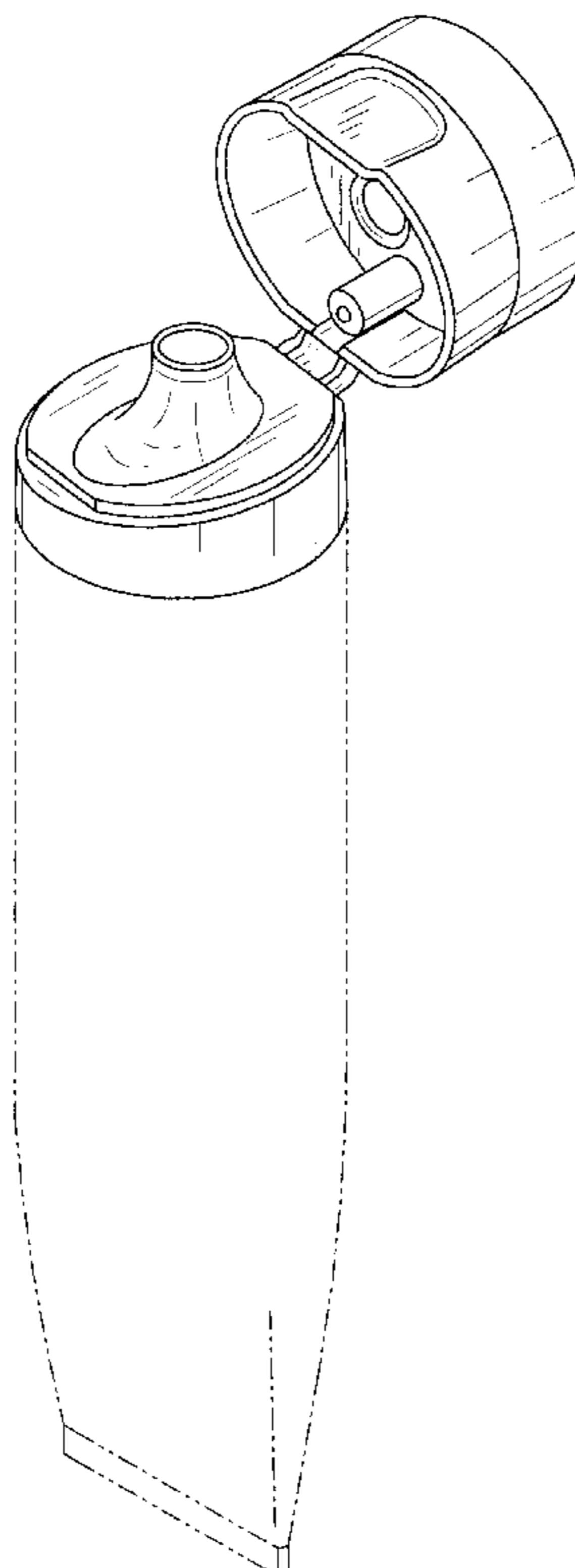
FIG. 10 is a rear elevation view thereof

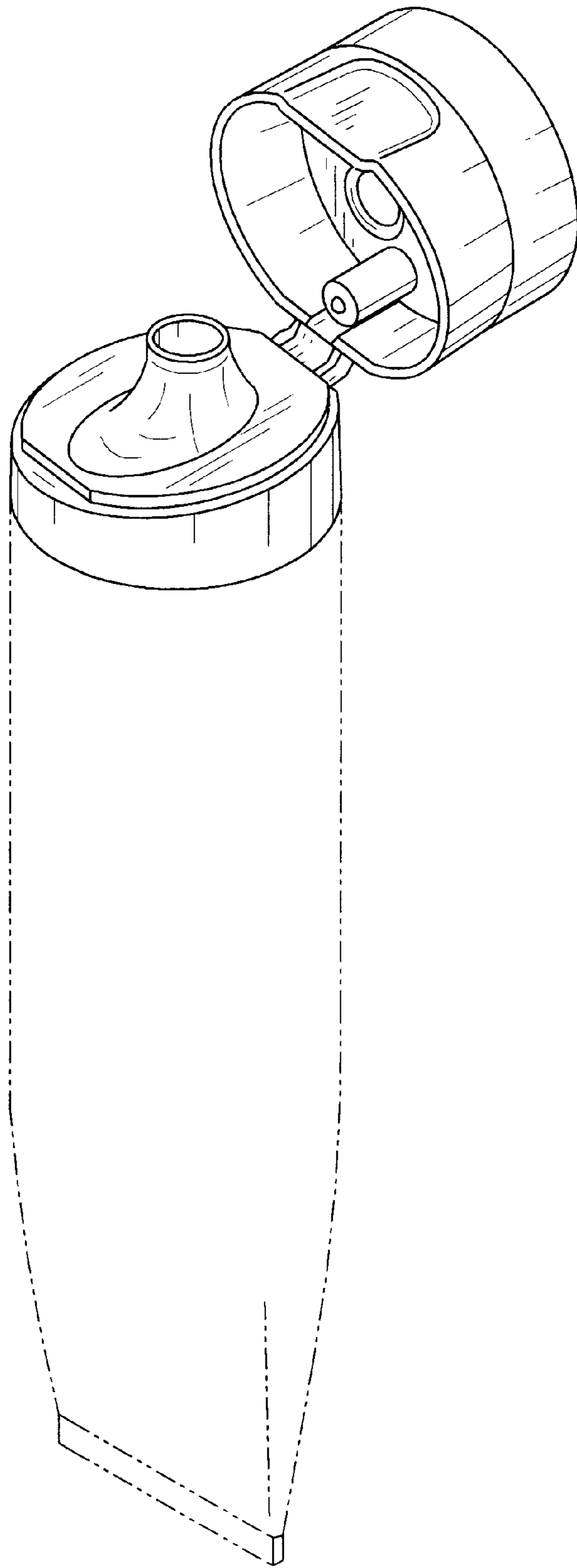
FIG. 11 is a top plan view thereof; and,

FIG. 12 is a bottom plan view thereof.

The broken line showing of a container is for illustrative purposes only and forms no part of the claimed design.

**1 Claim, 5 Drawing Sheets**





*FIG. 1*

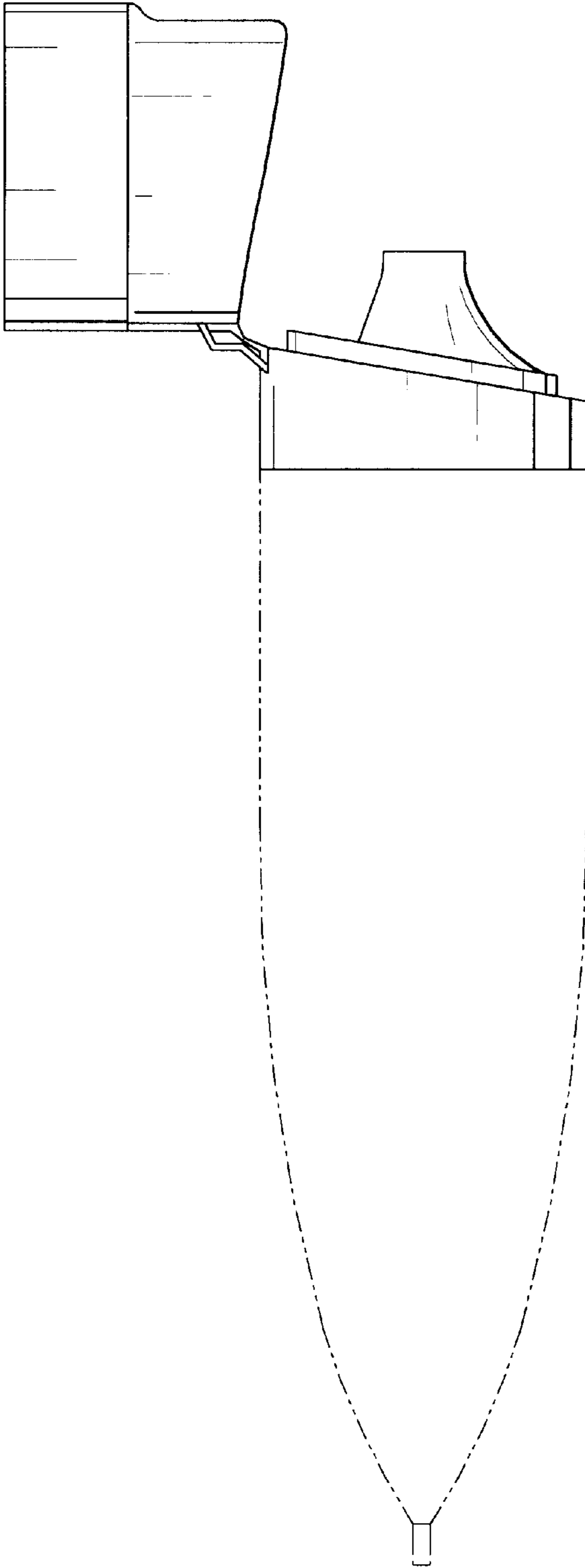


FIG. 2

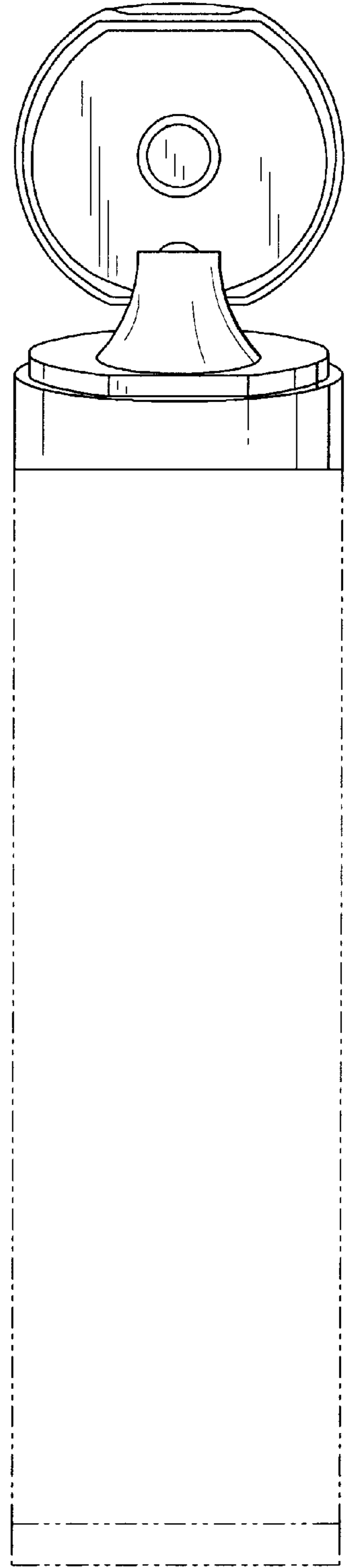


FIG. 3

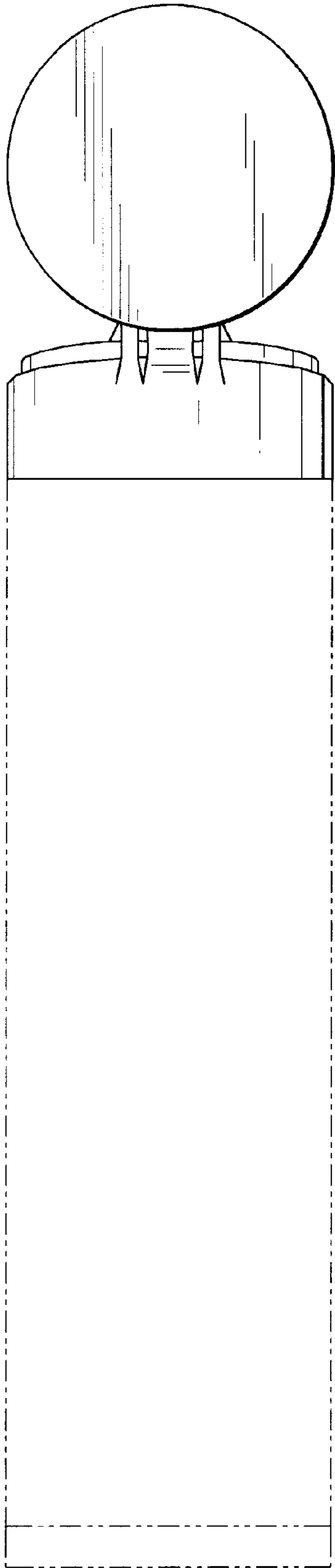


FIG. 4

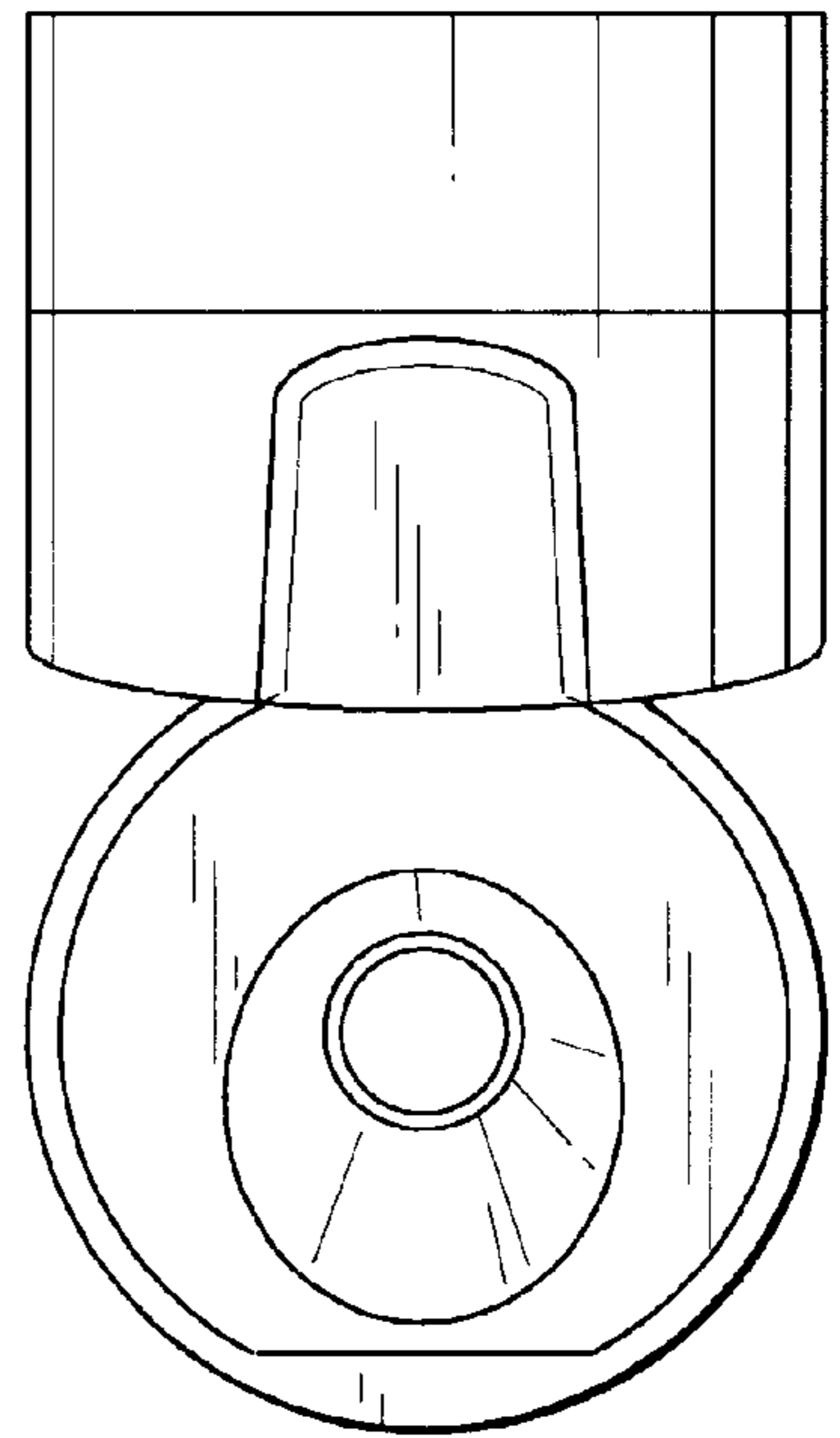


FIG. 5

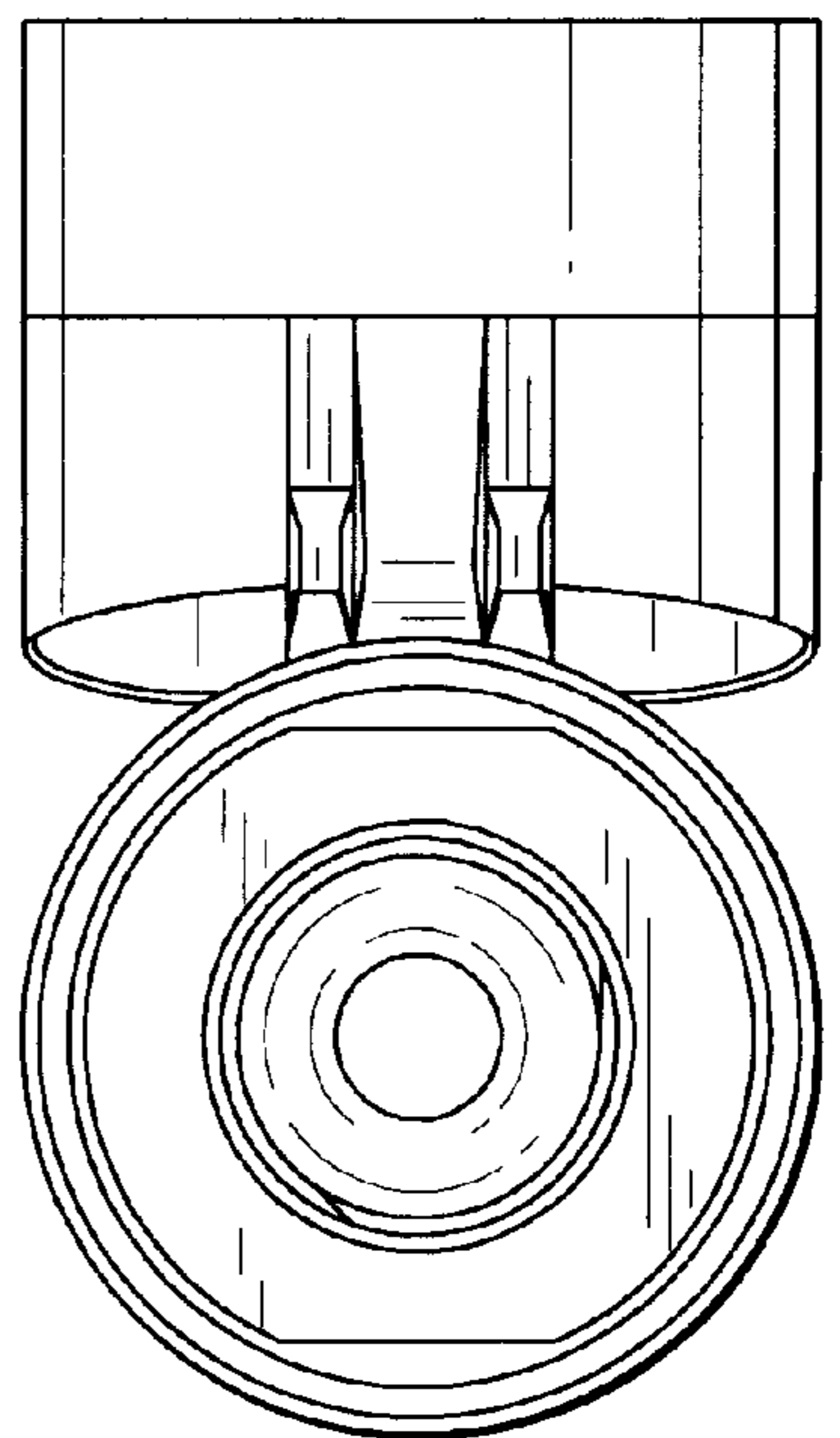


FIG. 6

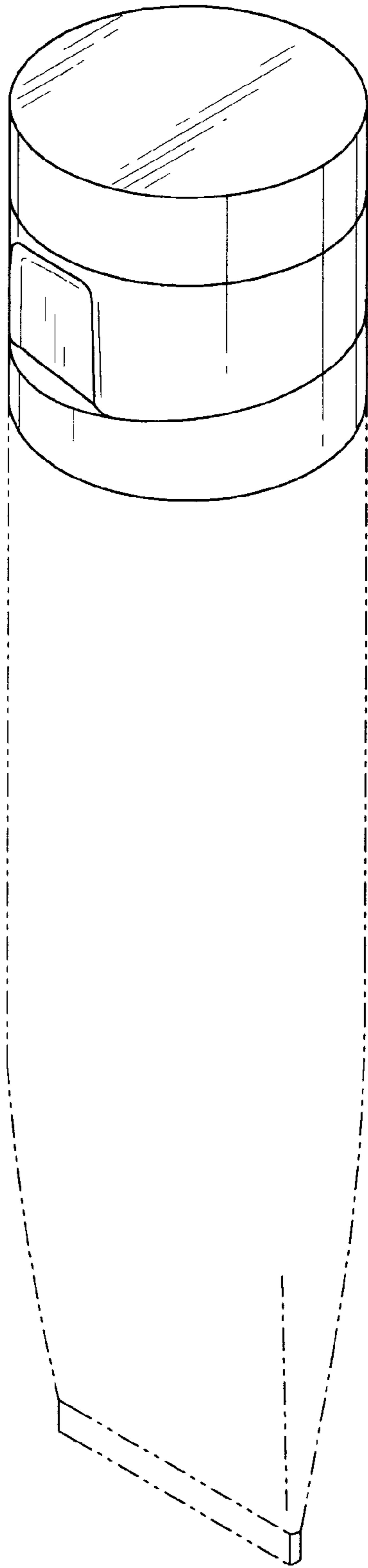


FIG. 7

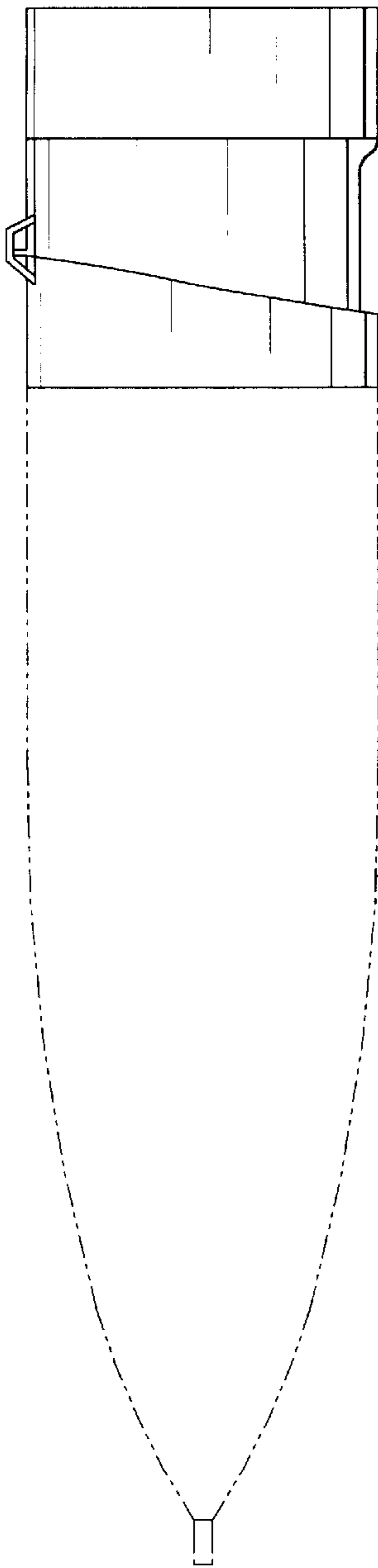


FIG. 8

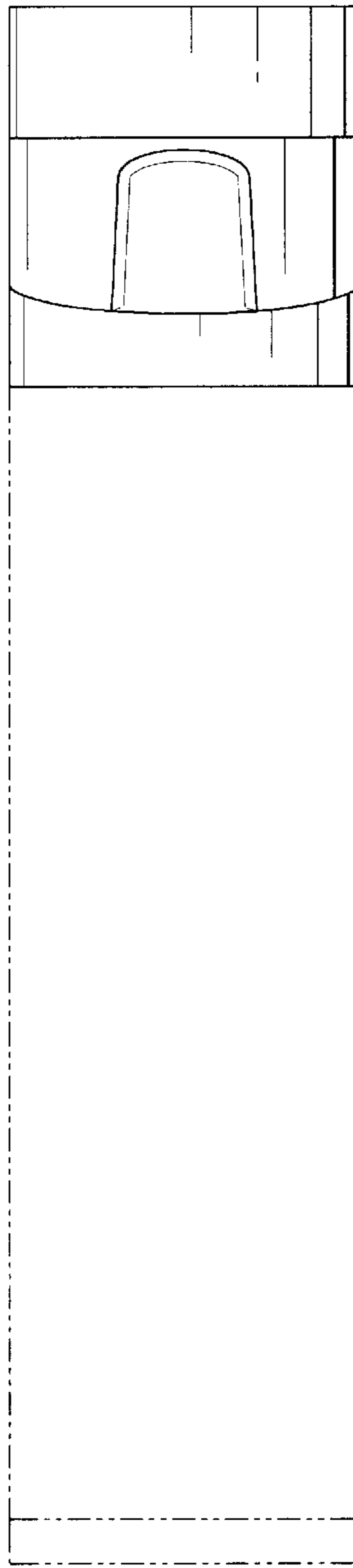


FIG. 9

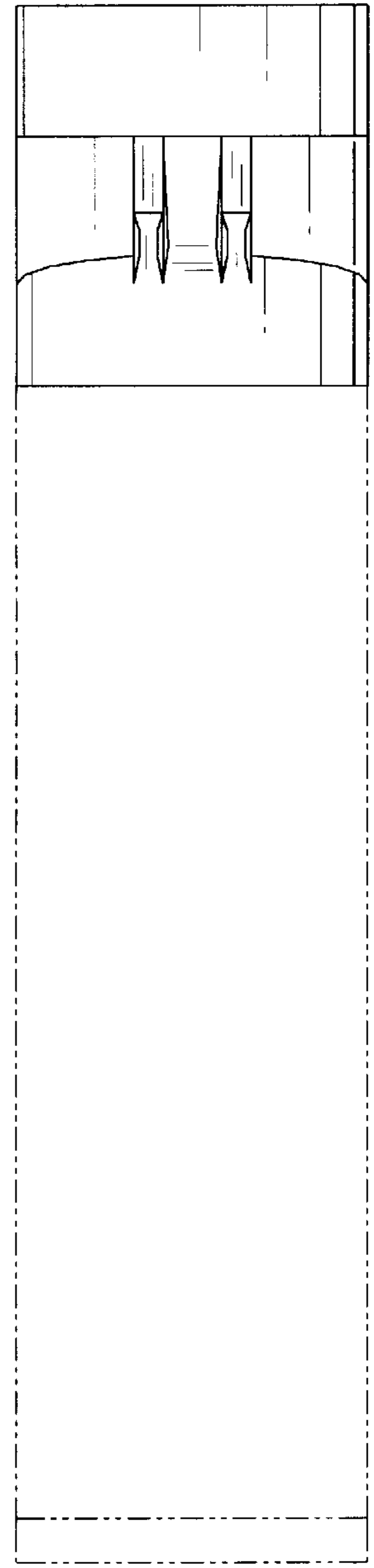


FIG. 10

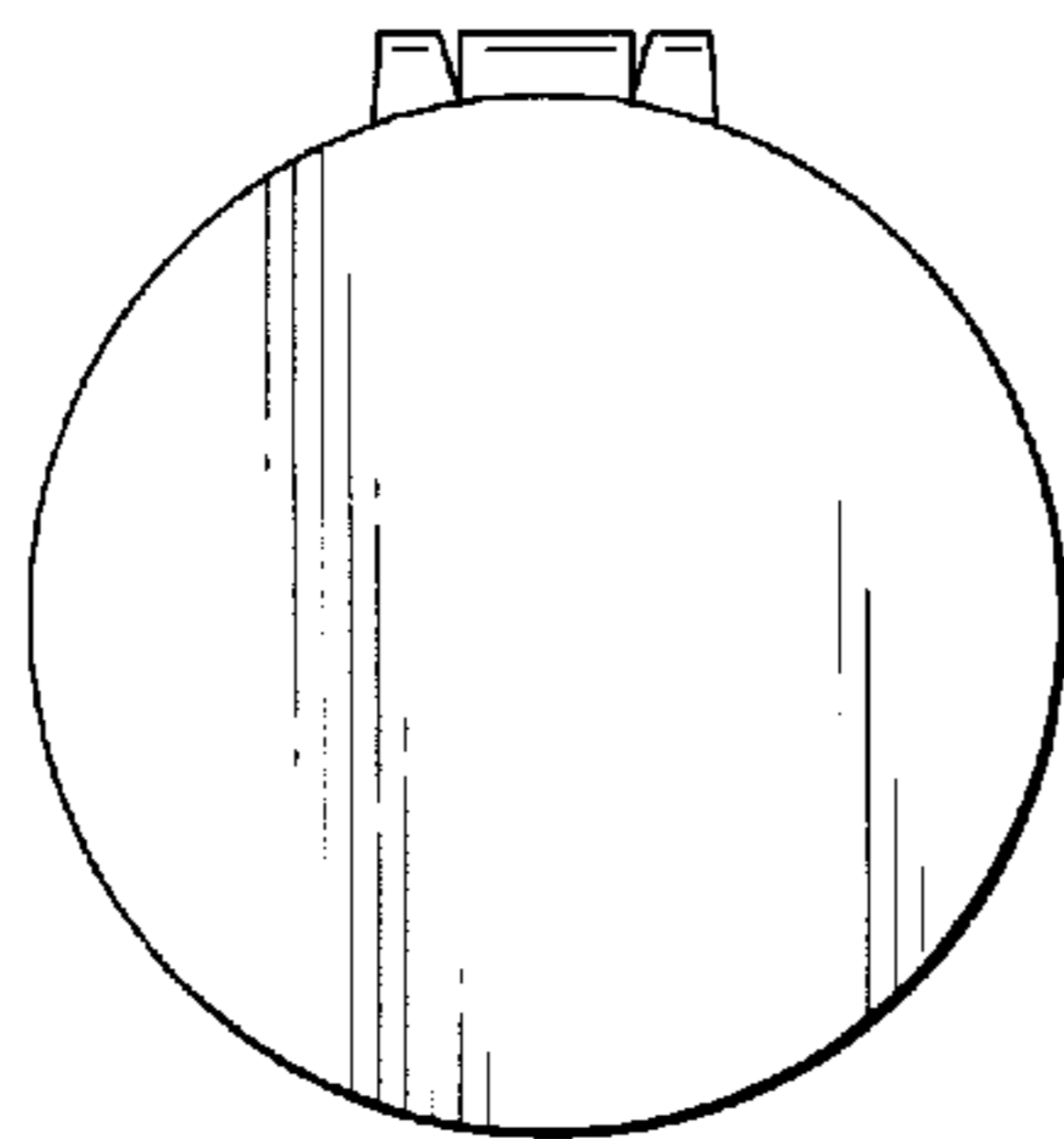


FIG. 11

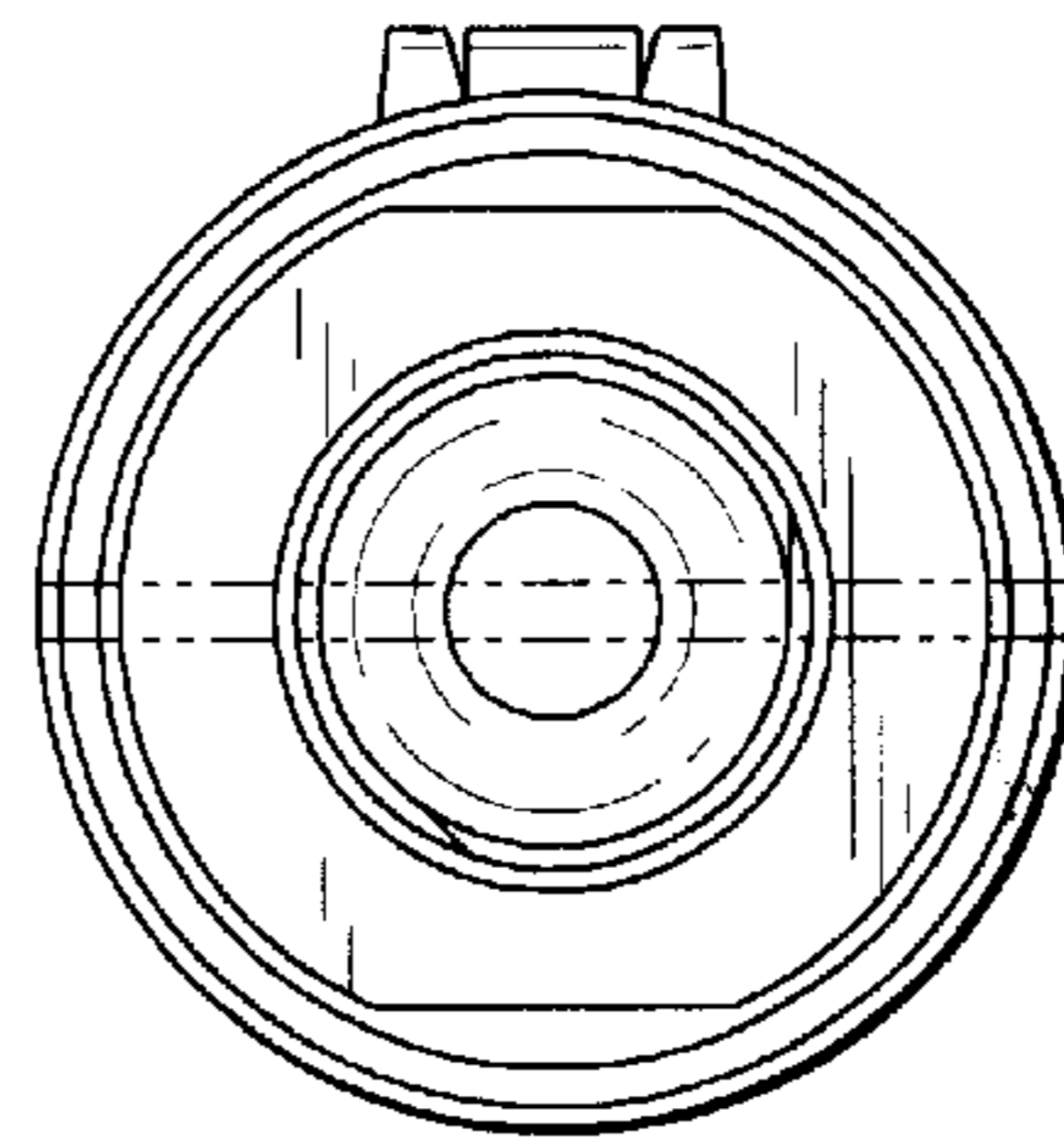


FIG. 12