



US00D438795S

(12) **United States Design Patent**
Terrasi

(10) **Patent No.:** **US D438,795 S**

(45) **Date of Patent:** **** Mar. 13, 2001**

(54) **PACKAGING FOR FOOD PRODUCTS SUCH AS CONFECTIONERY PRODUCTS**

(75) **Inventor:** **Giuseppe Terrasi, Benevello (IT)**

(73) **Assignee:** **Soremartec S.A. (BE)**

(**) **Term:** **14 Years**

(21) **Appl. No.:** **29/121,055**

(22) **Filed:** **Mar. 31, 2000**

(30) **Foreign Application Priority Data**

Oct. 11, 1999 (XH) DMA/004 657
Dec. 22, 1999 (XH) DMA/004 733

(51) **LOC (7) Cl.** **09-03**

(52) **U.S. Cl.** **D9/431; 426/104**

(58) **Field of Search** D9/431, 429, 428;
229/4.5, 87.08, 904.1, 400; 426/104, 132,
139

(56) **References Cited**

U.S. PATENT DOCUMENTS

D. 239,920 * 5/1976 Floren D9/342
D. 358,091 * 5/1995 Warburton D9/431

D. 366,613 * 1/1996 Fultz D9/429
D. 415,025 * 10/1999 McCann D9/431
3,306,512 * 2/1967 Pagnini 426/132
5,515,998 * 5/1996 Wang 426/132
5,979,695 * 11/1999 Valls et al. 426/139

* cited by examiner

Primary Examiner—Raphael Barkai

(74) *Attorney, Agent, or Firm*—Rothwell, Figg, Ernst & Manbeck, pc

(57) **CLAIM**

The ornamental design for packaging for food products such as confectionery products, as shown and described.

DESCRIPTION

FIG. 1 is a perspective view of packaging for food products such as confectionery products showing my new design; FIG. 2 is a front view thereof; FIG. 3 is a right view thereof; FIG. 4 is a left view thereof; FIG. 5 is a rear view thereof; FIG. 6 is a top view thereof; and, FIG. 7 is a bottom view thereof.

1 Claim, 2 Drawing Sheets

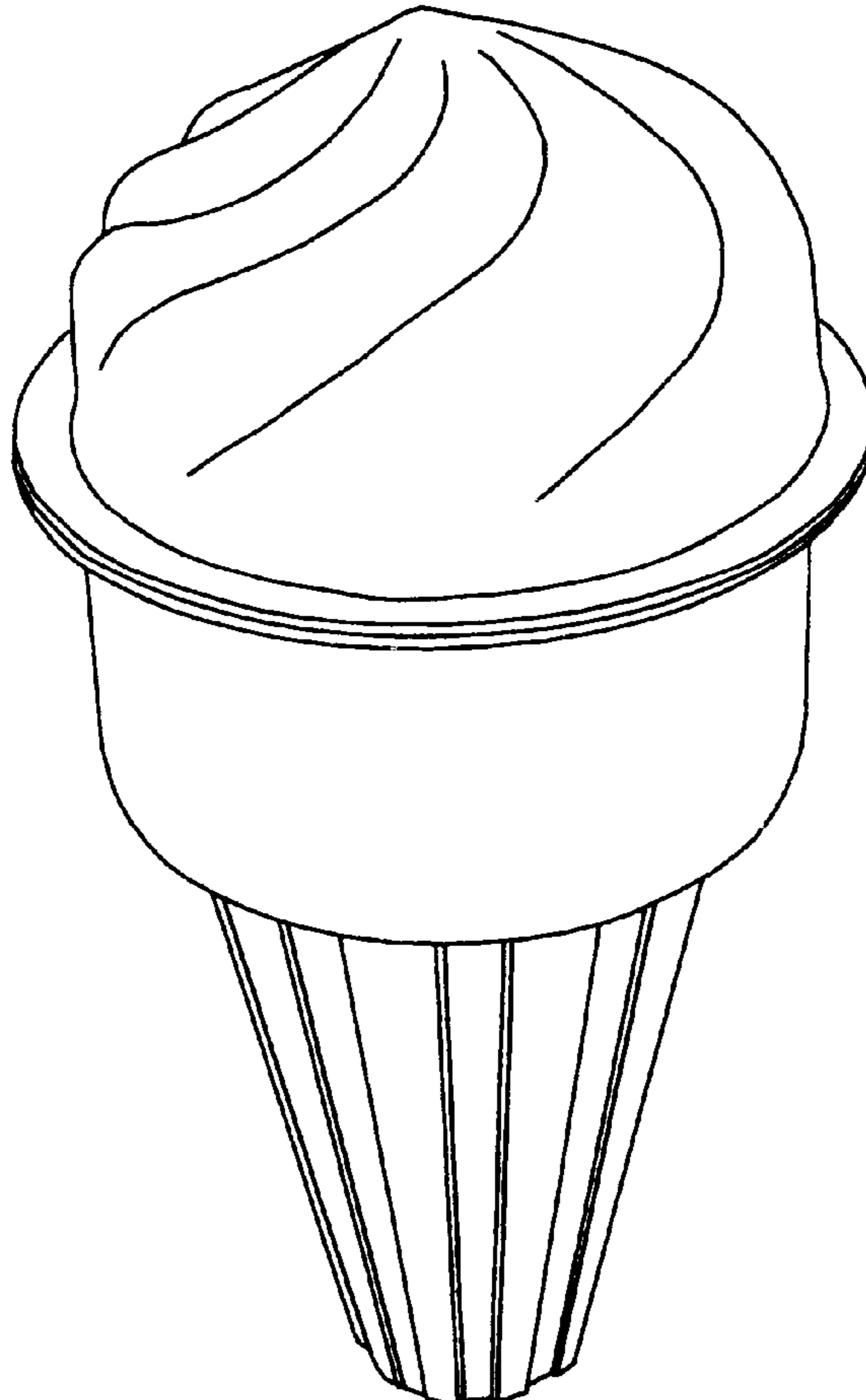


Fig. 1

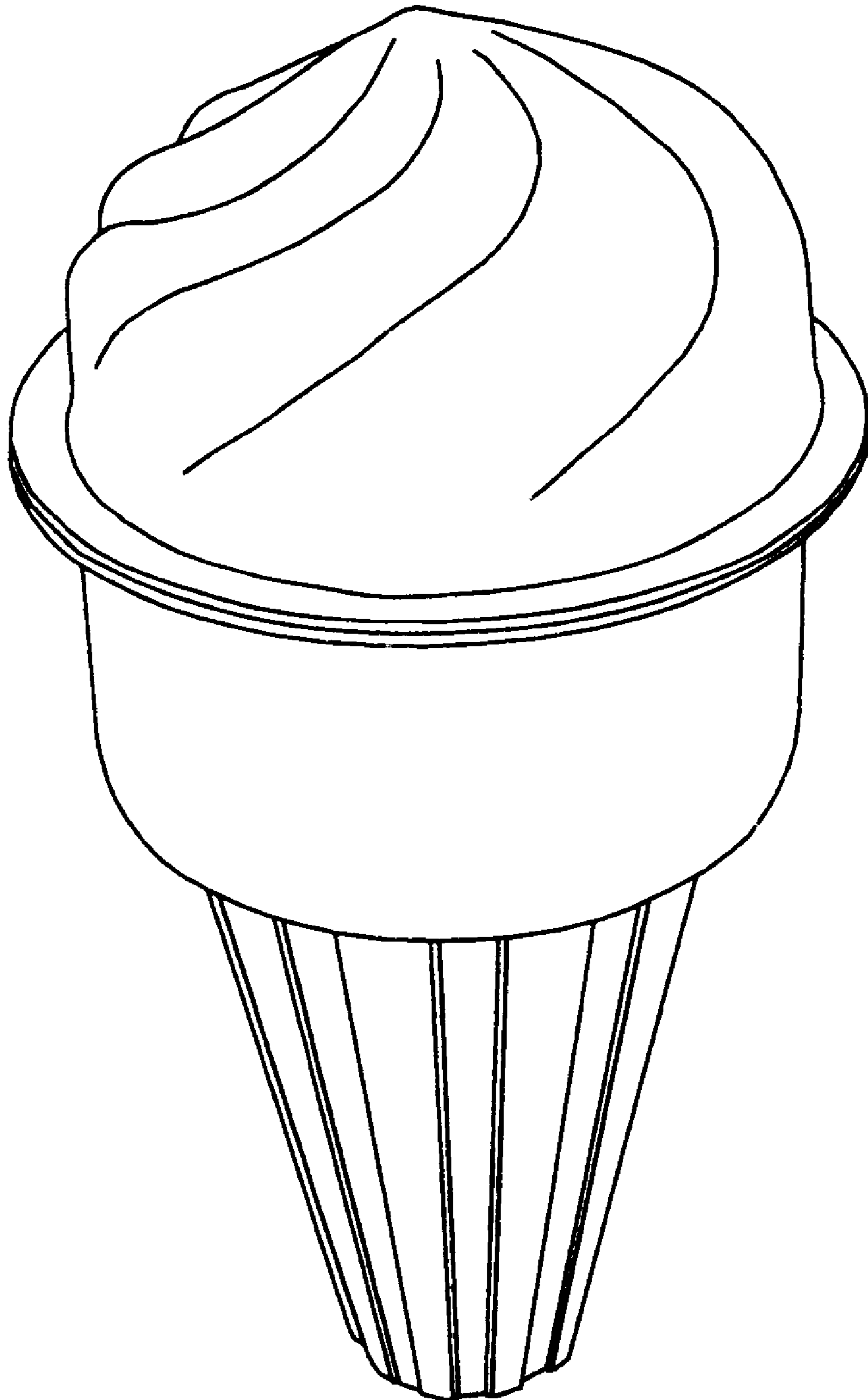


Fig. 2

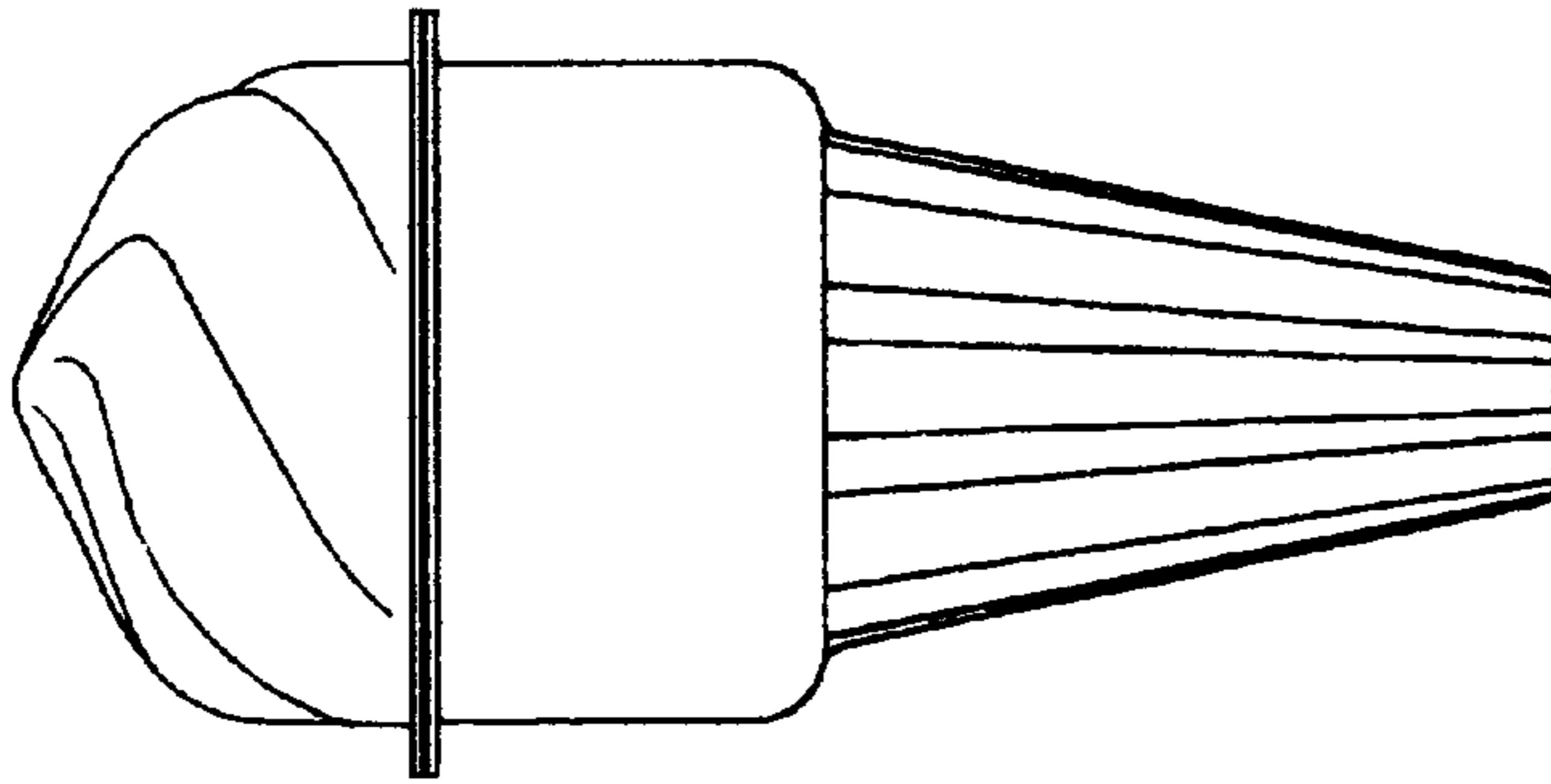


Fig. 3

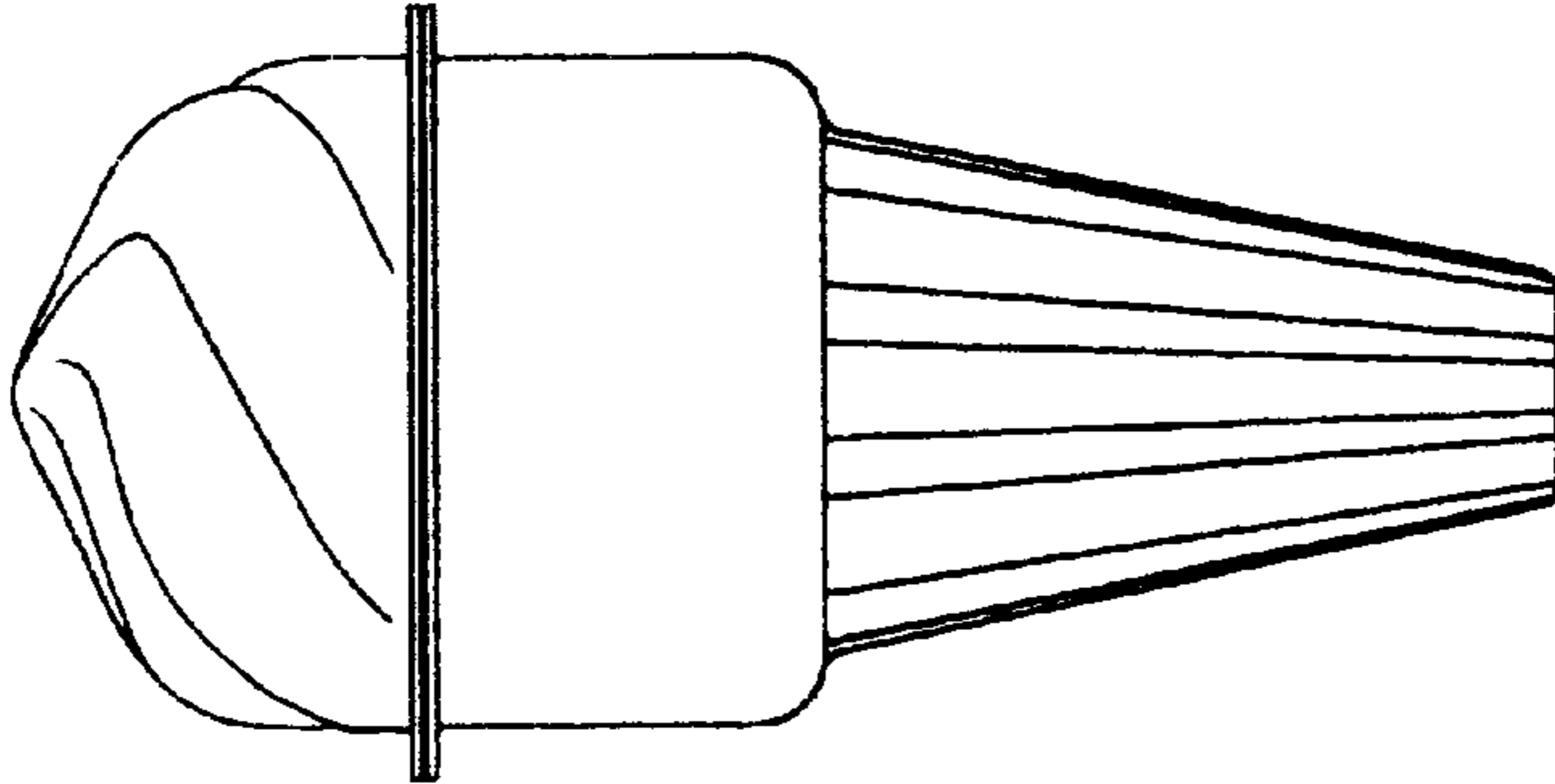


Fig. 4

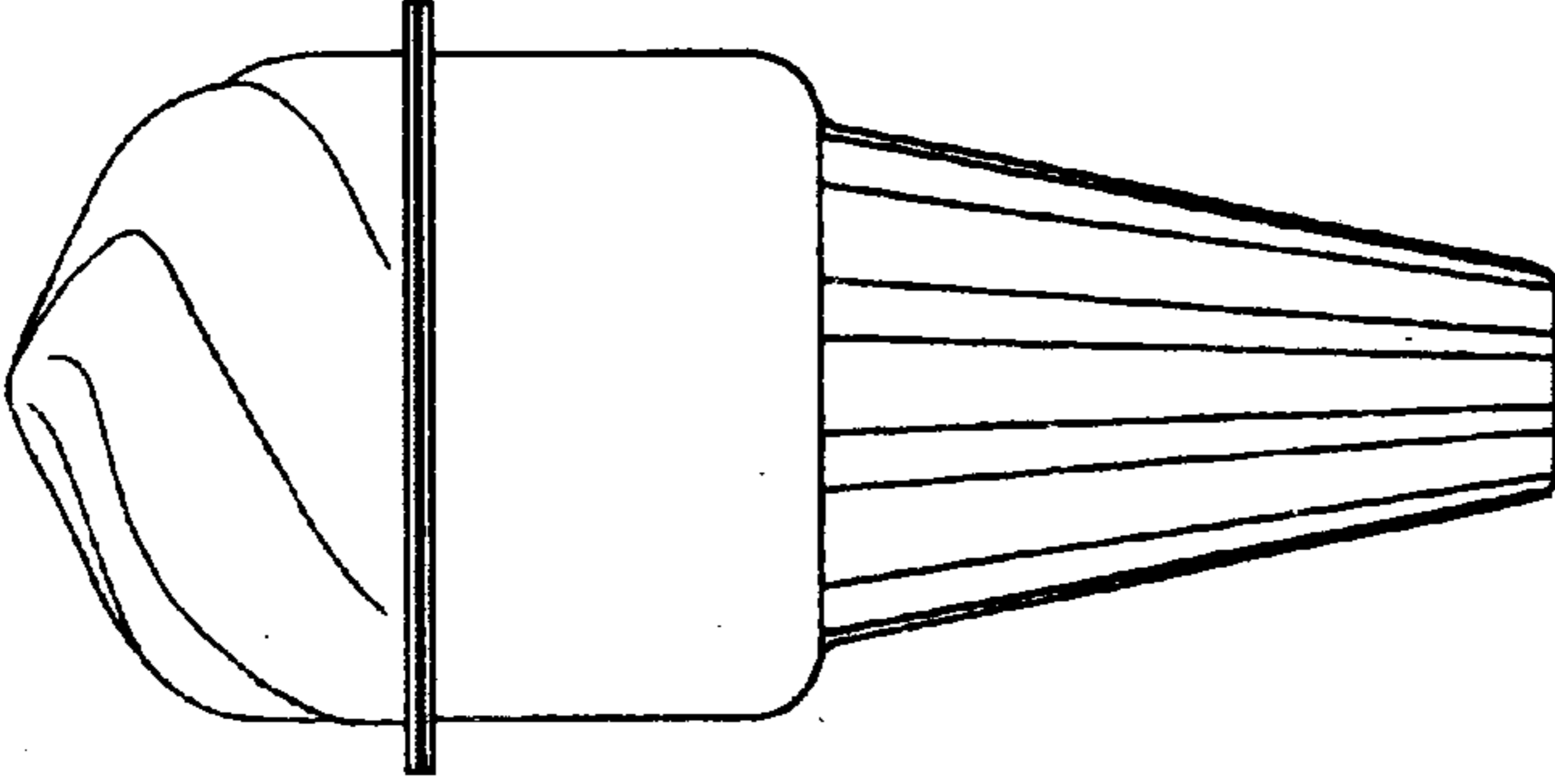


Fig. 5

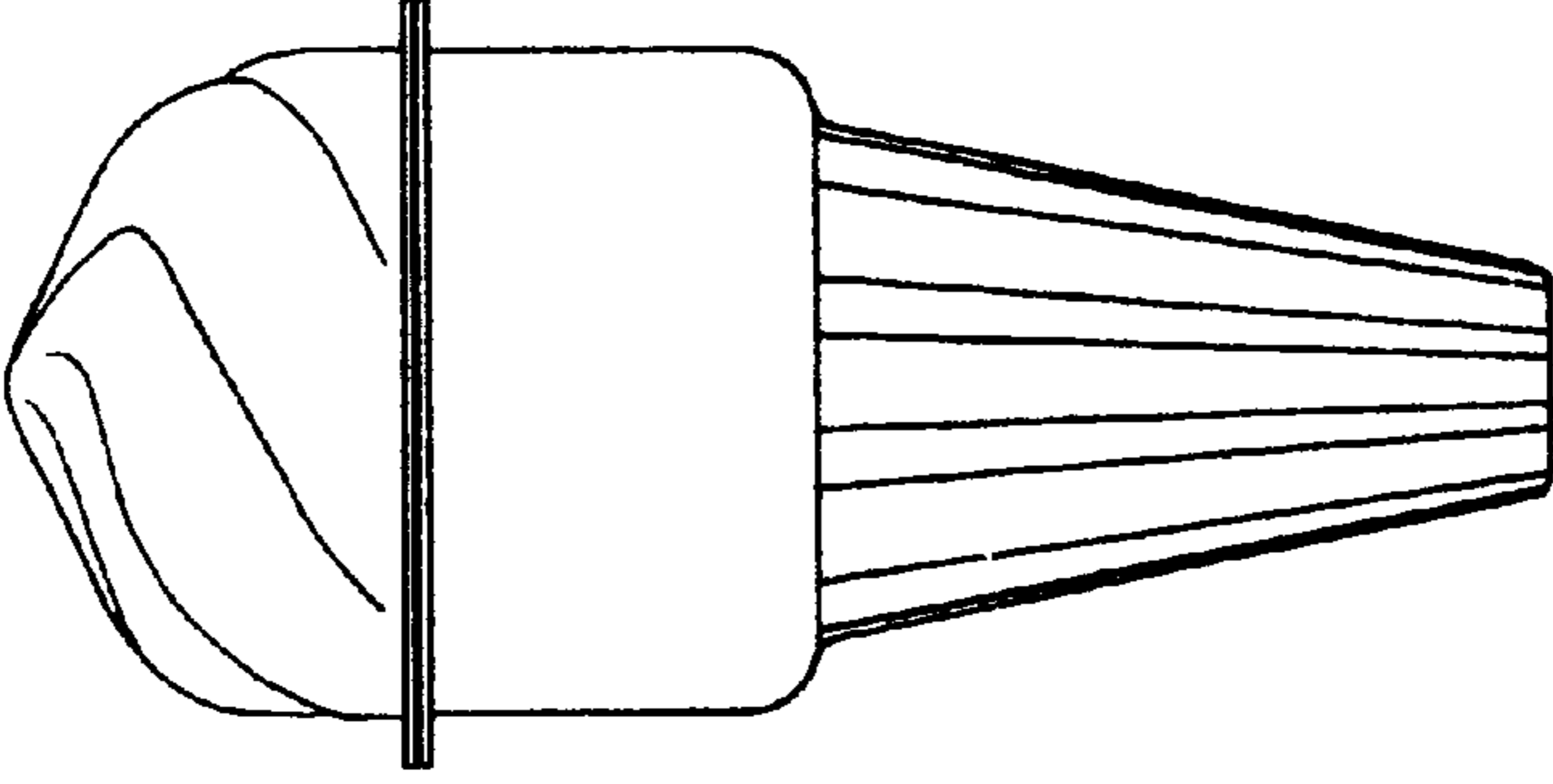


Fig. 6

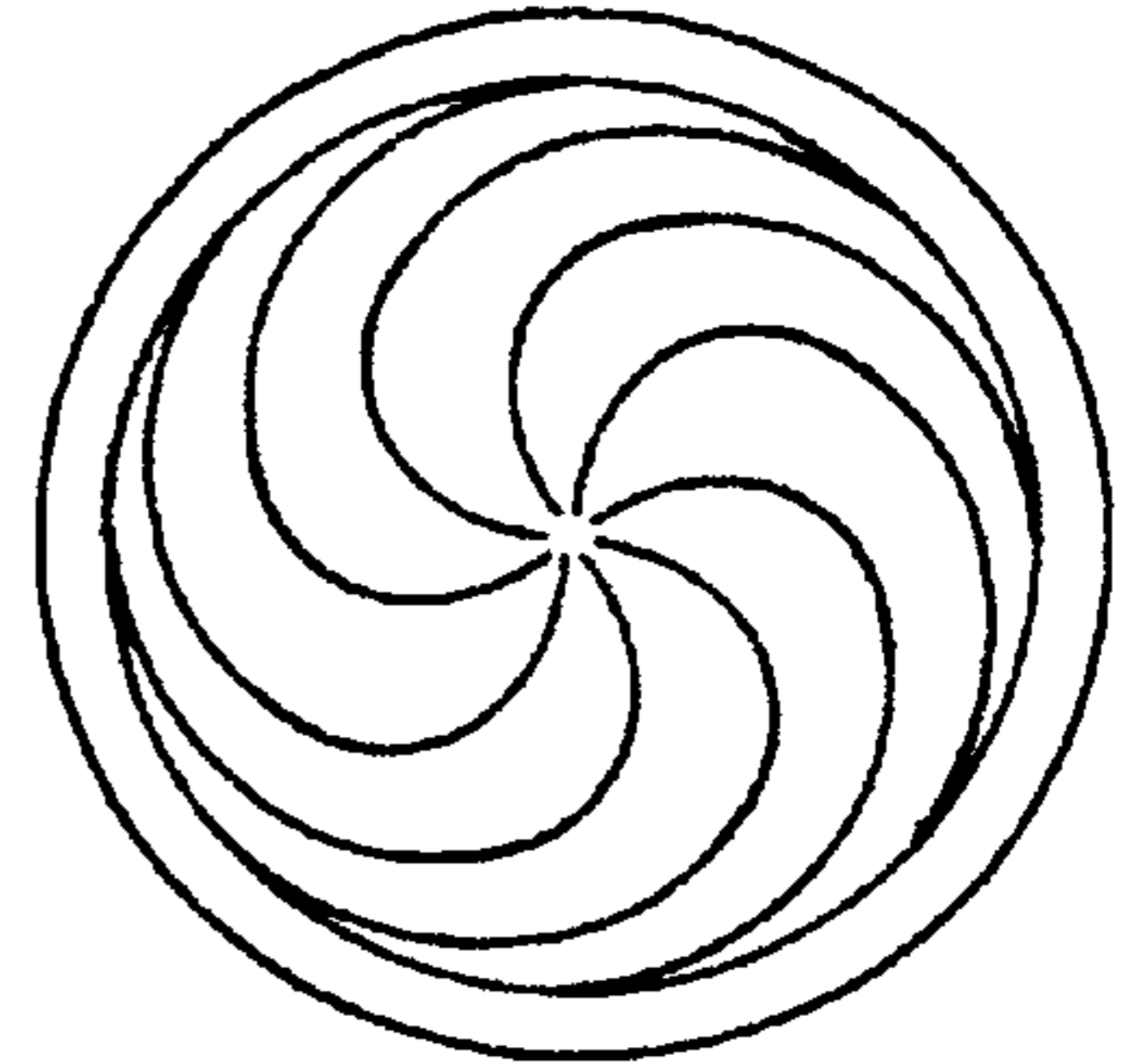


Fig. 7

