



US00D438794S

(12) **United States Design Patent**
Miles et al.

(10) **Patent No.:** **US D438,794 S**

(45) **Date of Patent:** **** Mar. 13, 2001**

(54) **CONTAINER**

(75) Inventors: **Todd A. Miles**, Huntington Beach, CA (US); **Paul DaSilva**, Madison, WI (US); **Maureen Borland**, LaCanada, CA (US)

(73) Assignee: **Nestec, S.A.**, Vevey (CH)

(**) Term: **14 Years**

(21) Appl. No.: **29/121,477**

(22) Filed: **Apr. 7, 2000**

(51) **LOC (7) Cl.** **09-03**

(52) **U.S. Cl.** **D9/429; D9/425**

(58) **Field of Search** D9/428, 429, 431, D9/425, 424, 513; D7/601, 608, 640; 206/508, 503, 515; 220/662, 669, 674, 675, 657, 659, 556, 4.25; 229/406, 4.5, 93, 5.5

(56) **References Cited**

U.S. PATENT DOCUMENTS

D. 195,699	*	7/1963	Bostrom	D9/429
D. 342,447	*	12/1993	Aylward	D9/429
D. 375,683	*	11/1996	Schoff	D9/429
D. 395,822	*	7/1998	Keal et al.	D9/429
D. 414,413	*	9/1999	Brown	D9/429
3,070,275	*	12/1962	Bostrom	229/400

3,434,625	*	3/1969	Embry, Jr.	220/669	X
4,473,165	*	9/1984	Lentles	206/508	X
4,867,303	*	9/1989	Beckerman et al.	229/406	
5,012,928	*	5/1991	Proffitt et al.	206/508	

* cited by examiner

Primary Examiner—Prabhakar Deshmukh

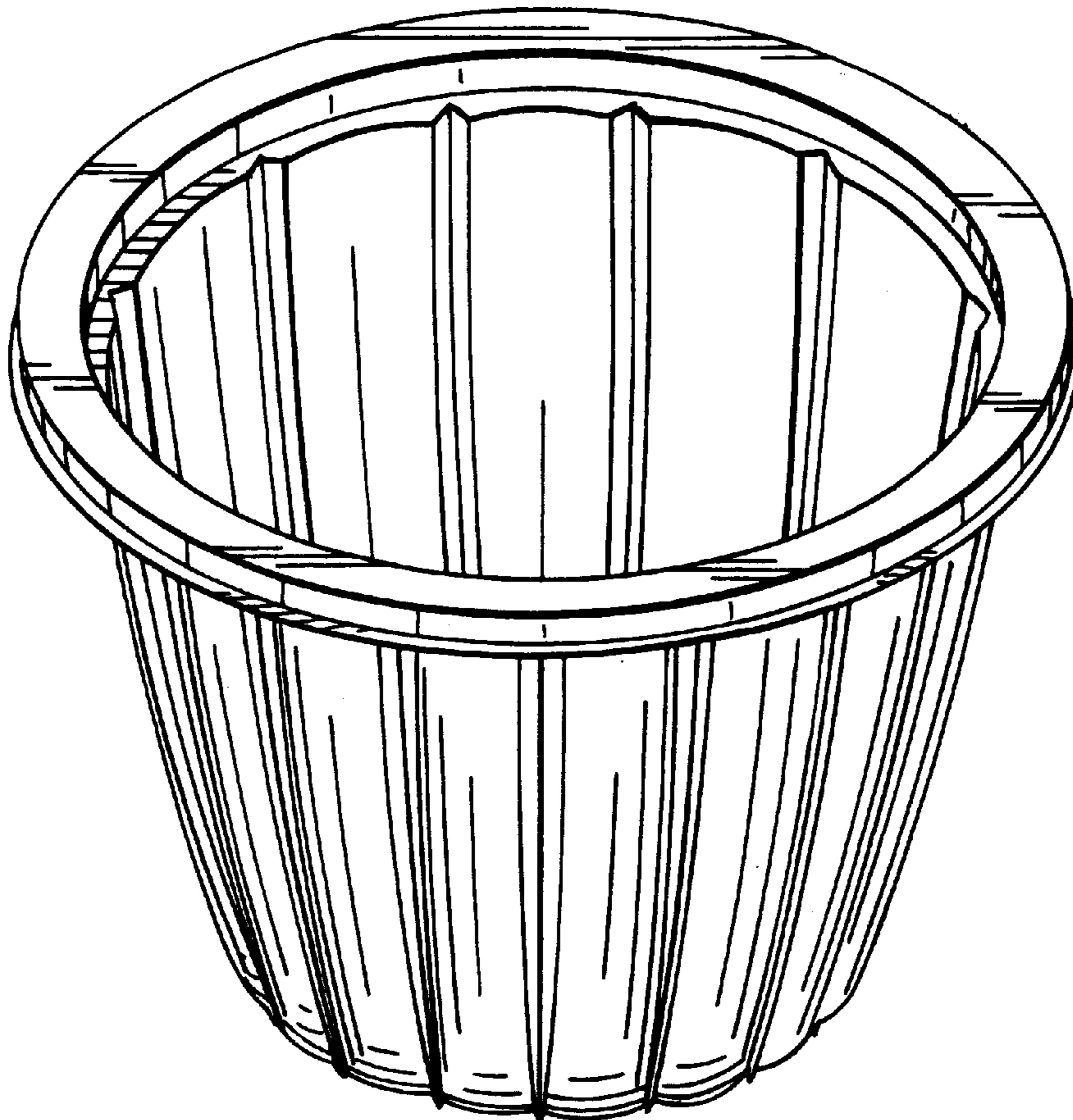
(57) **CLAIM**

The ornamental design for a container, as shown and described.

DESCRIPTION

FIG. 1 is a perspective view of the container showing our new design;
 FIG. 2 is a top plan view thereof;
 FIG. 3 is a front elevational view thereof;
 FIG. 4 is a bottom plan view thereof;
 FIG. 5 is an enlarged, partial sectional view thereof, taken along lines 5—5 of FIG. 2
 FIG. 6 is an enlarged scale sectional view of the sidewall of the container; the broken line showing of another stacking container is for illustrative purpose only and forms no part of the claimed design; and,
 FIG. 7 is a side elevational view, the left side elevational view being a mirror image thereof.

1 Claim, 4 Drawing Sheets



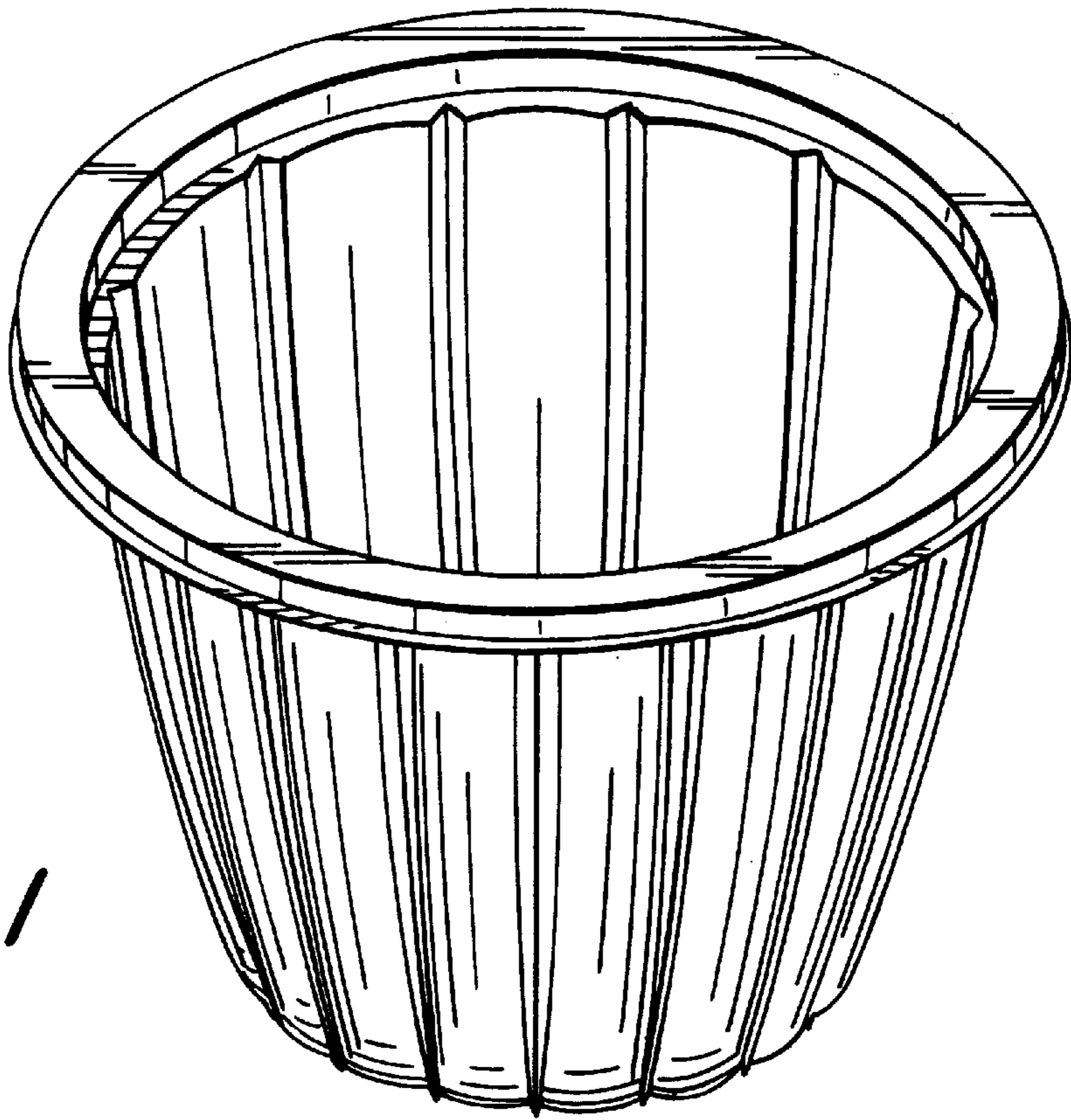


Fig. 1

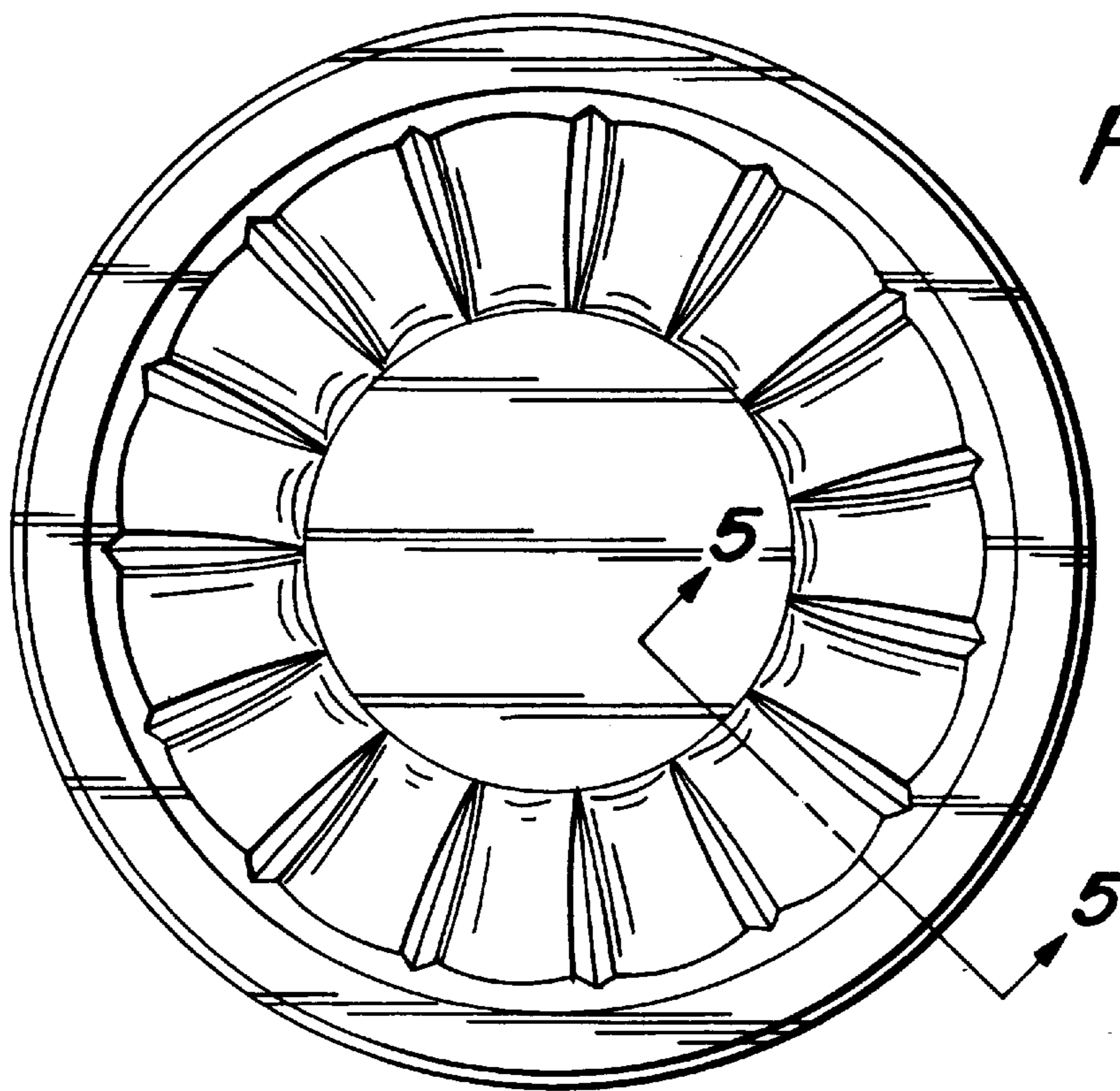


Fig. 2

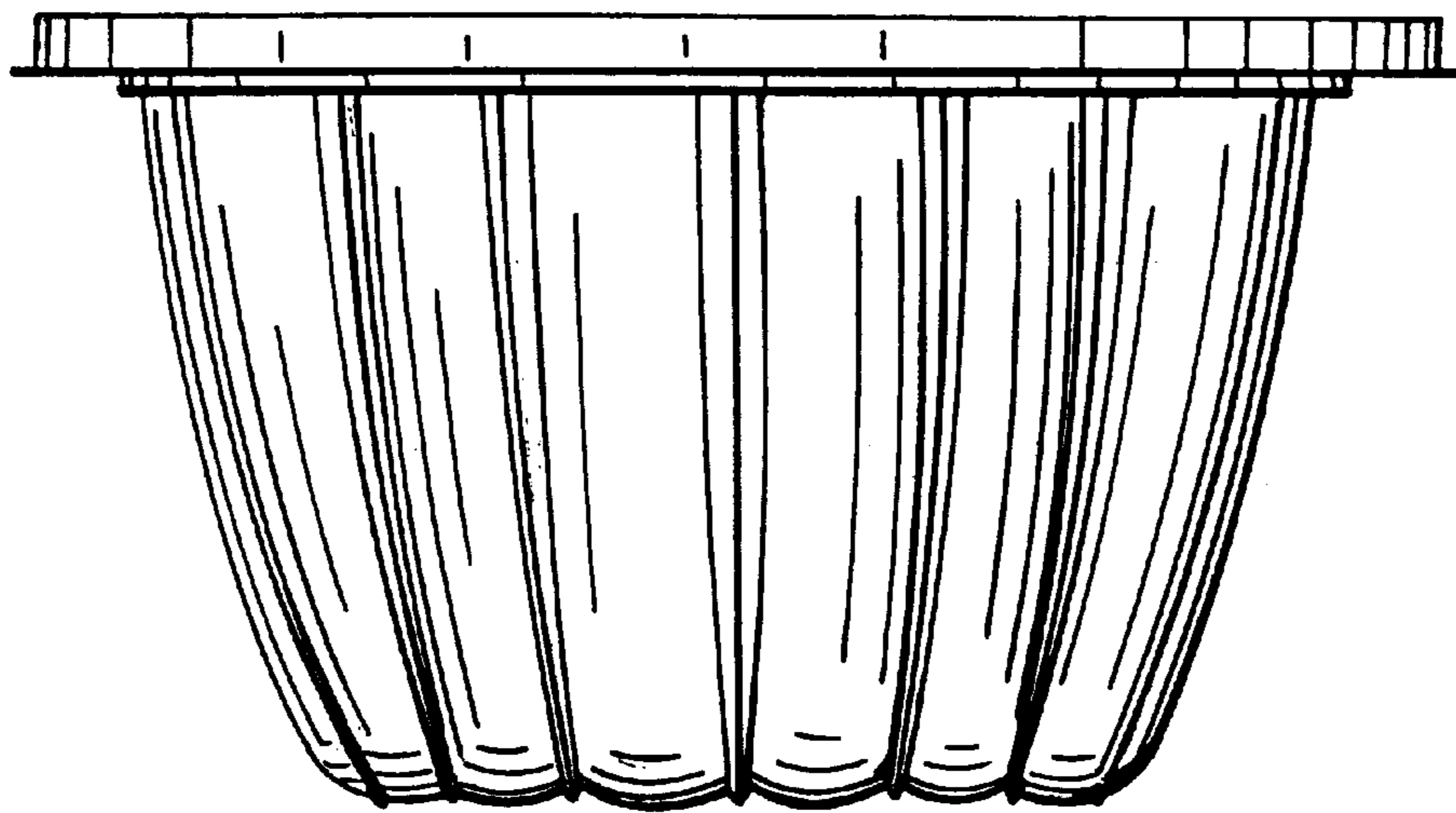


Fig. 3

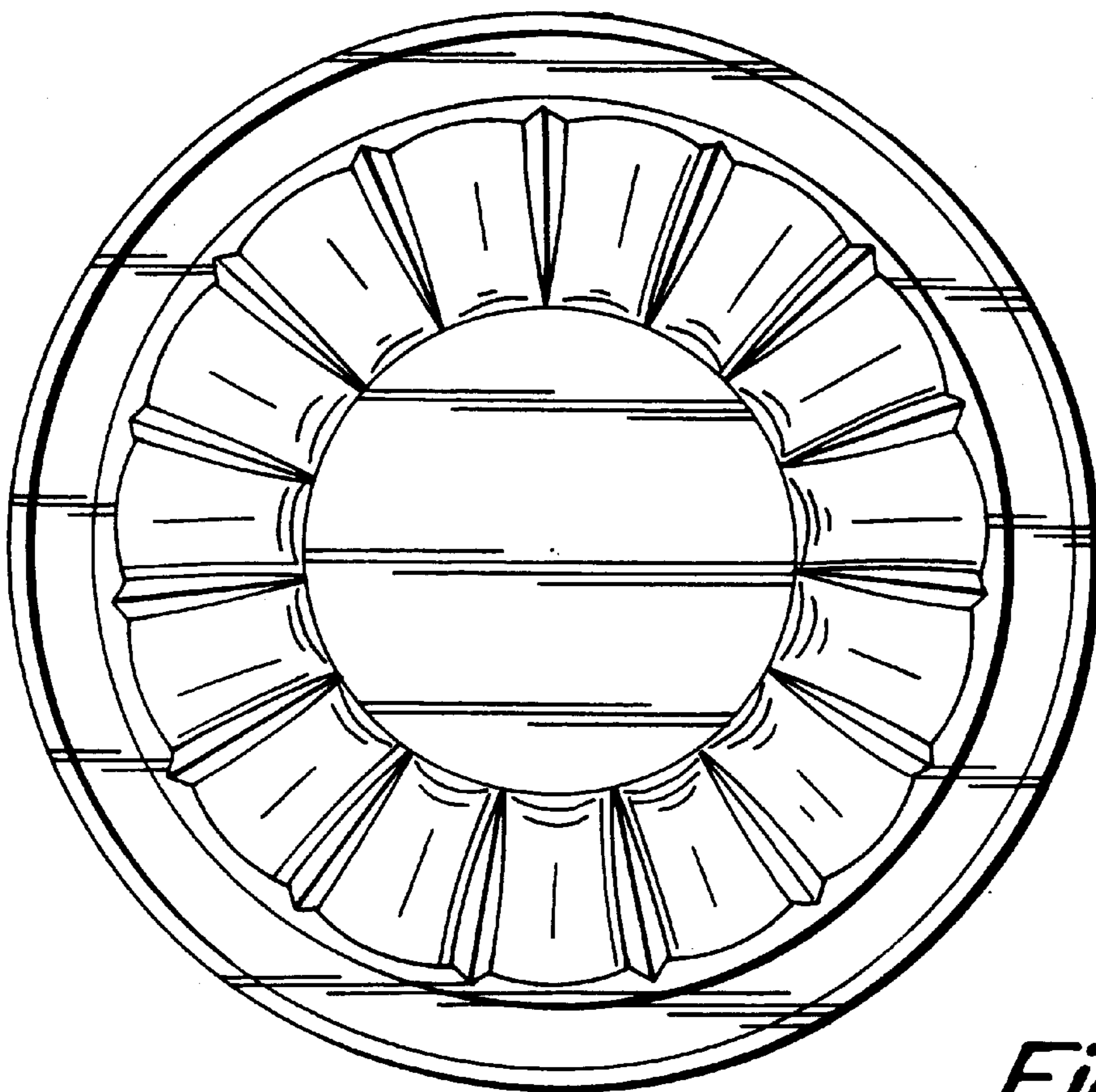


Fig. 4

Fig. 5

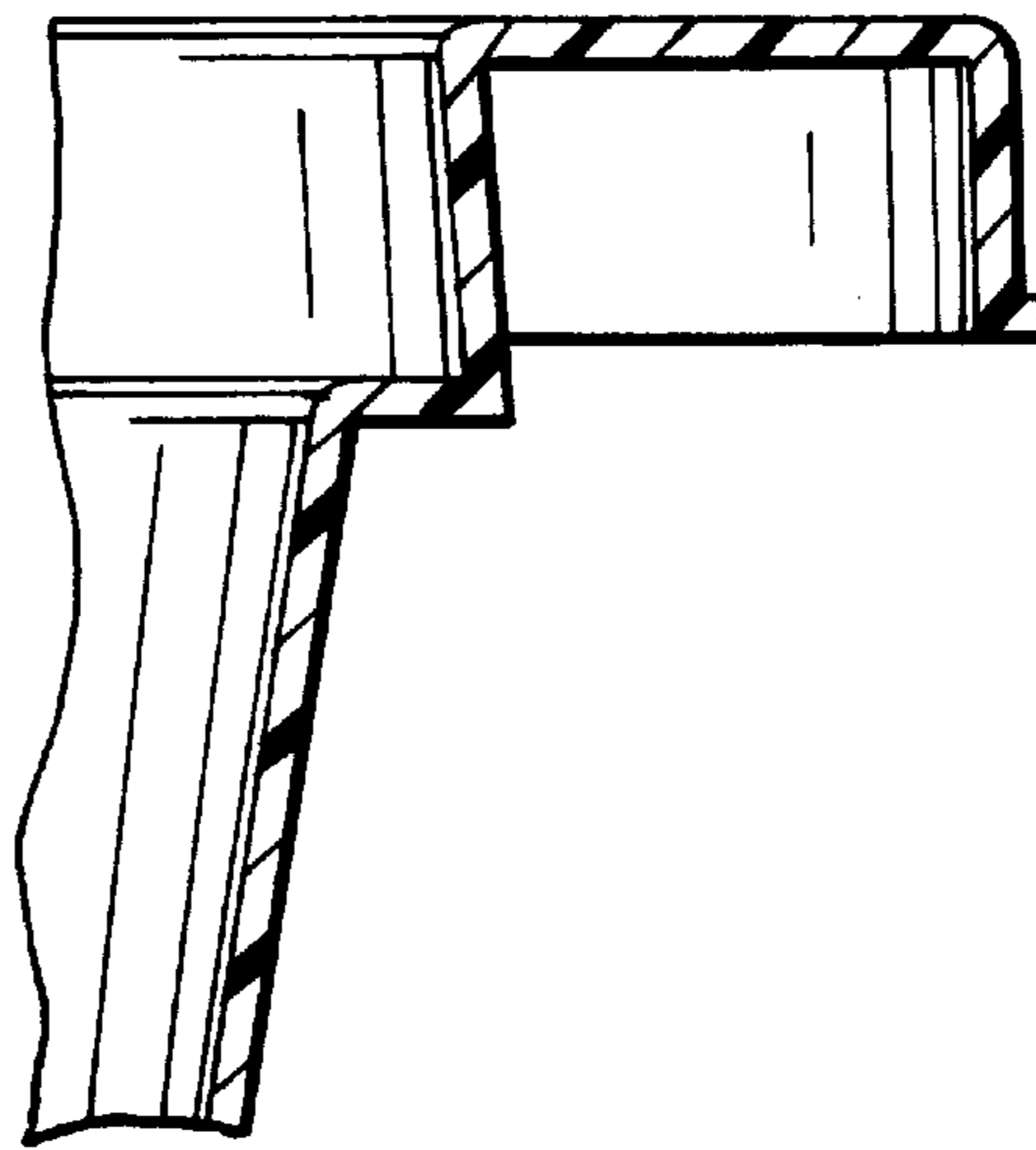
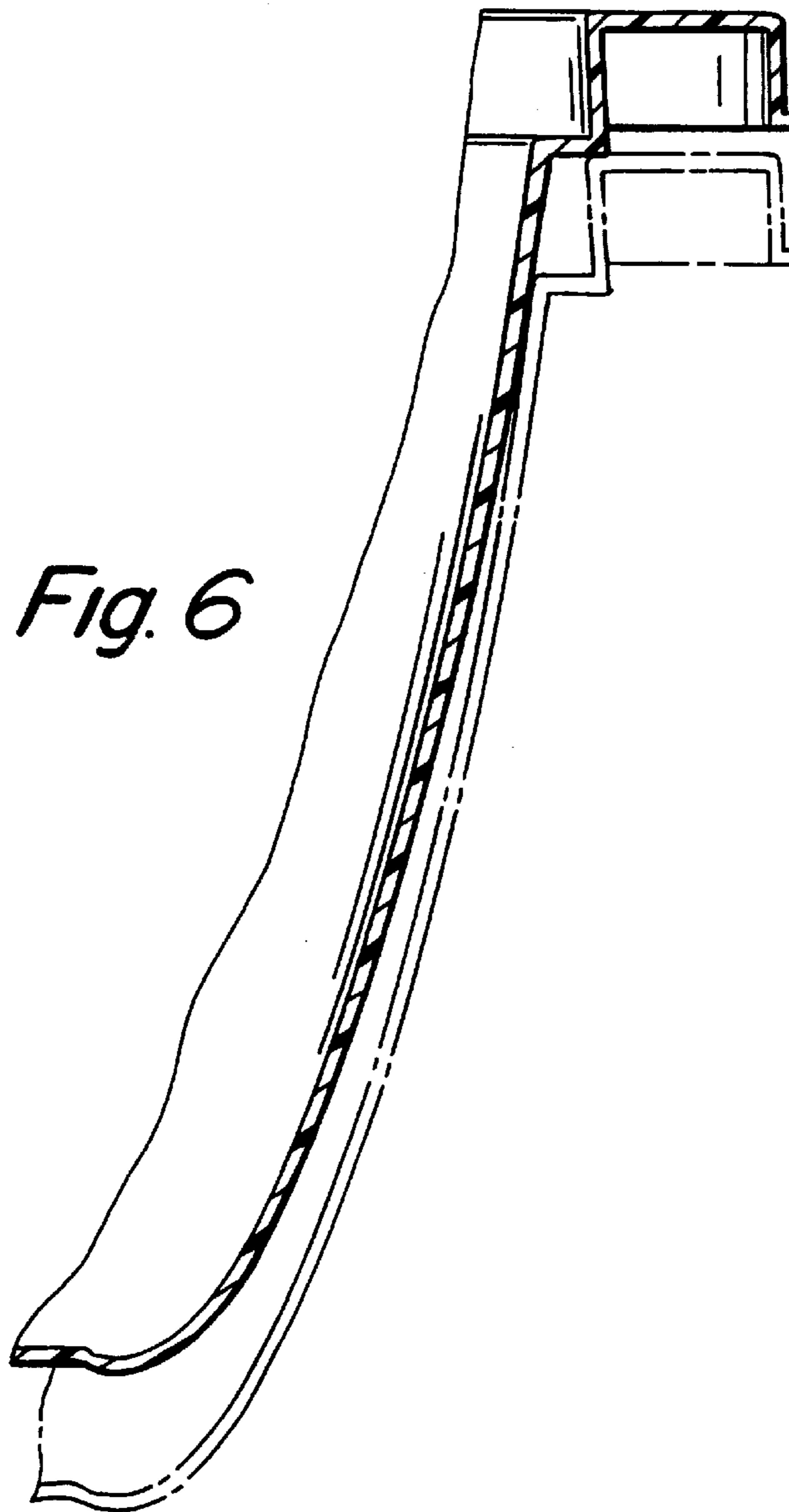


Fig. 6



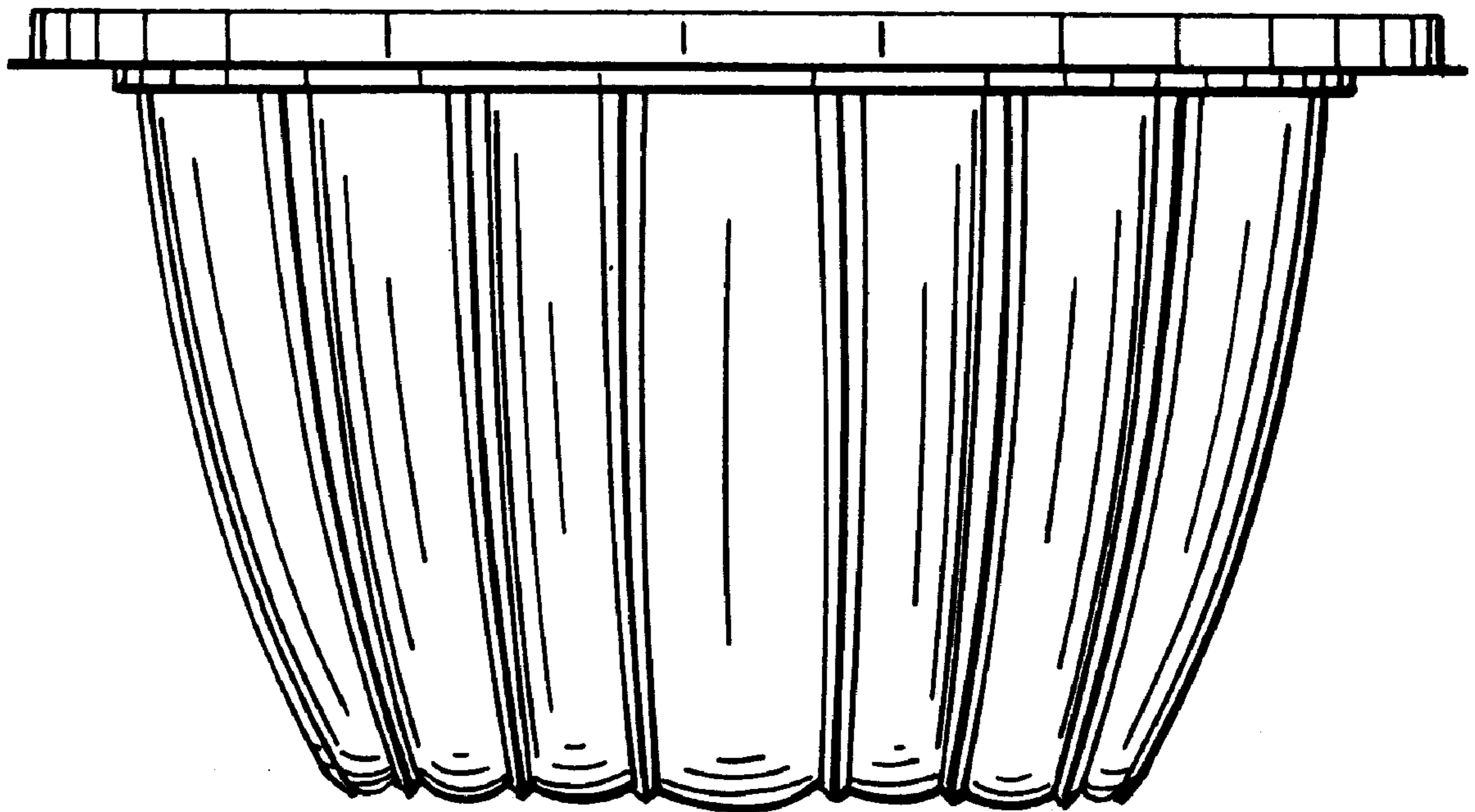


Fig. 7