



US00D438781S

(12) **United States Design Patent**
Leach

(10) **Patent No.:** **US D438,781 S**

(45) **Date of Patent:** **** Mar. 13, 2001**

(54) **PIPE CLIP**

D. 414,405 * 9/1999 Tompkins D8/396

(76) Inventor: **Bernard Leach**, Starcroft Farm,
Catsfield, Battle, East Sussex TN33
9DU (GB)

* cited by examiner

(**) Term: **14 Years**

Primary Examiner—Holly Baynham
(74) *Attorney, Agent, or Firm*—Pollock, Vande Sande &
Amernick, RLLP

(21) Appl. No.: **29/125,878**

(57) **CLAIM**

(22) Filed: **Jul. 5, 2000**

The ornamental design for pipe clip, as shown and
described.

(30) **Foreign Application Priority Data**

Jan. 5, 2000 (GB) 2089211

DESCRIPTION

(51) **LOC (7) Cl.** **08-08**

FIG. 1 is front view of clip in open configuration;

(52) **U.S. Cl.** **D8/394**

FIG. 2 is underside view of clip in open configuration;

(58) **Field of Search** D8/380, 394-396;
248/68.1, 74.1-74.3

FIG. 3 is a side view of clip;

FIG. 4 is a top view thereof;

FIG. 5 is left side view thereof; and,

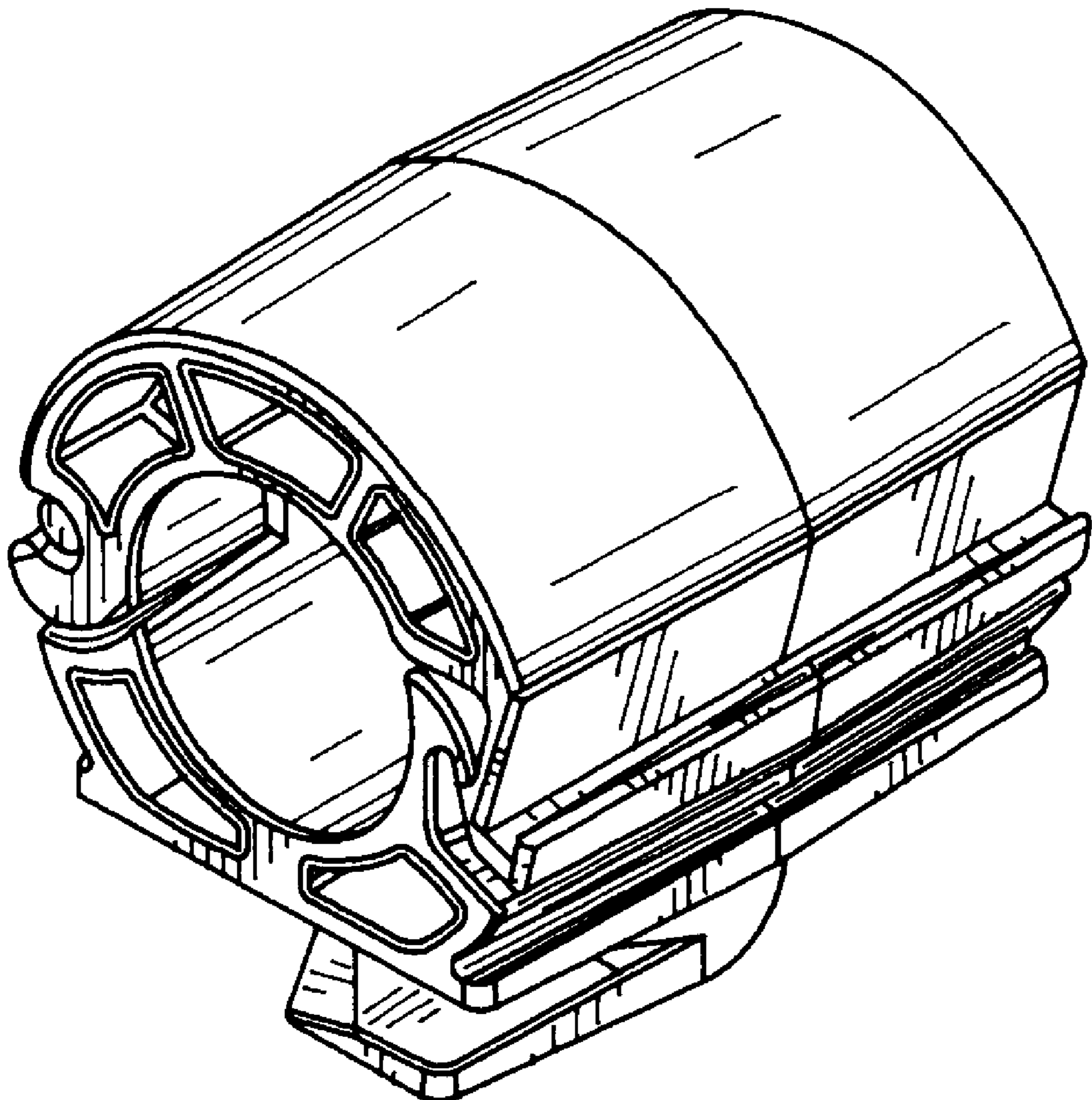
FIG. 6 is a perspective view thereof.

(56) **References Cited**

U.S. PATENT DOCUMENTS

D. 361,258 * 8/1995 Helman D8/354

1 Claim, 1 Drawing Sheet



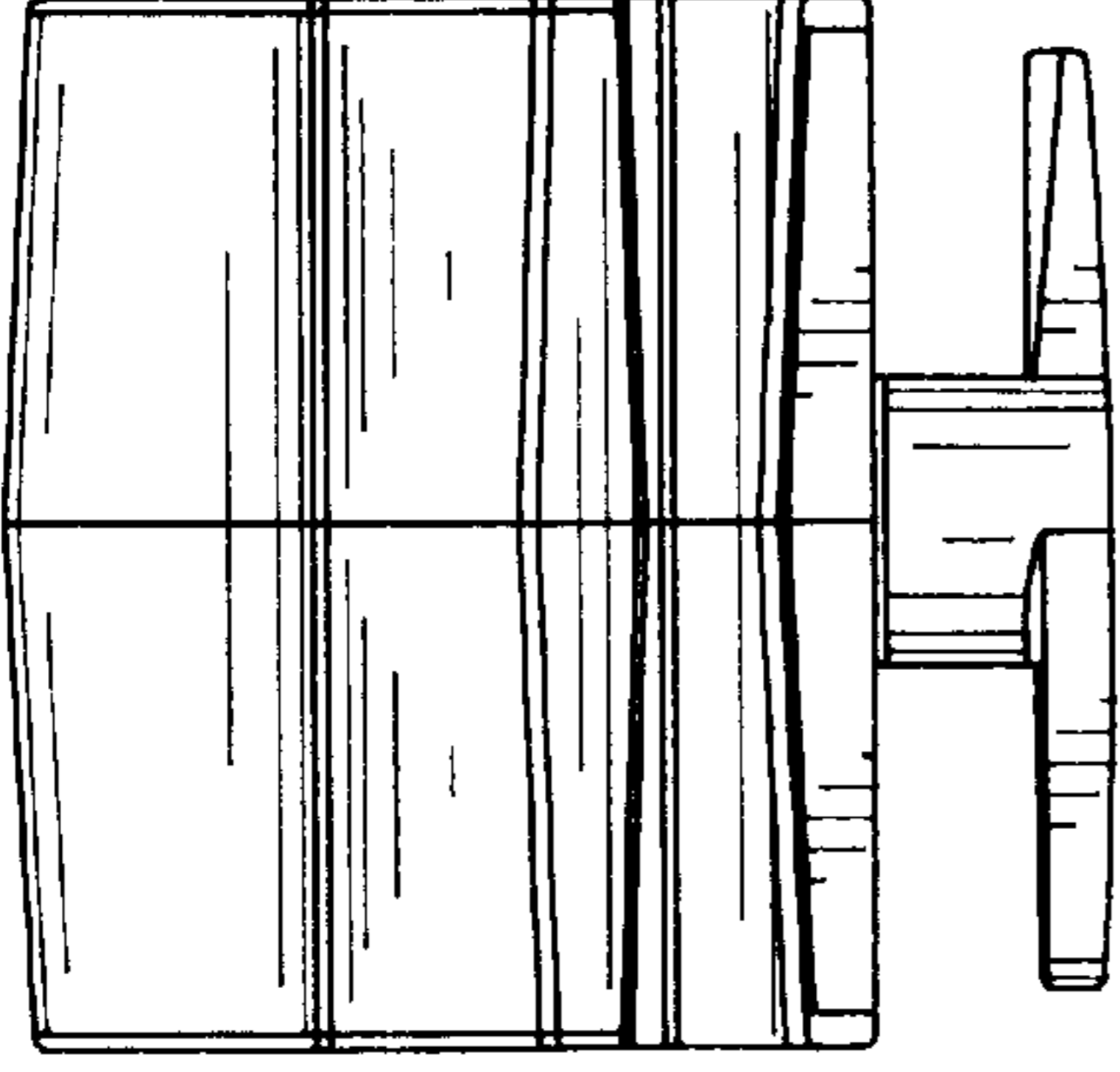


FIG. 3

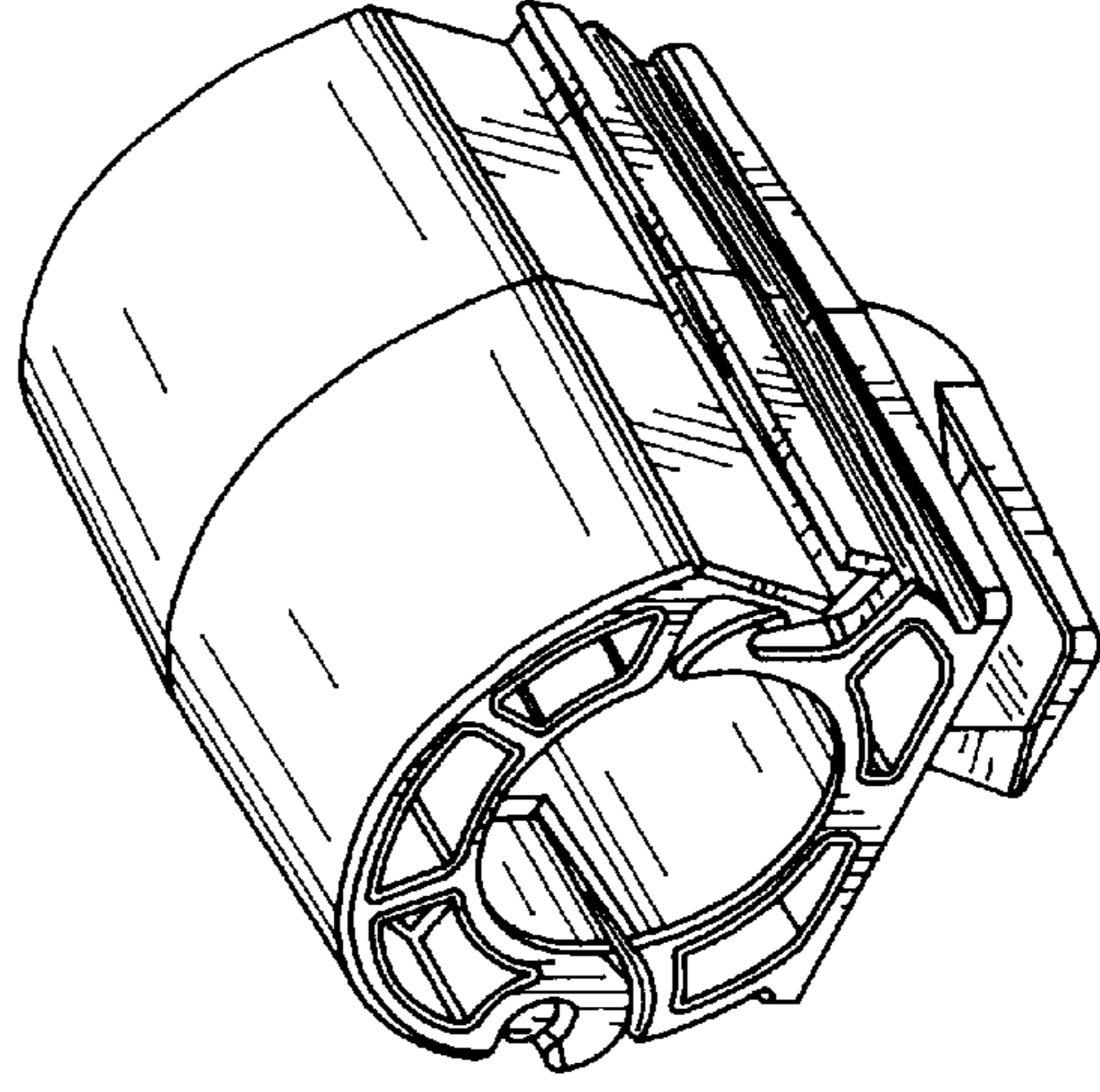


FIG. 6

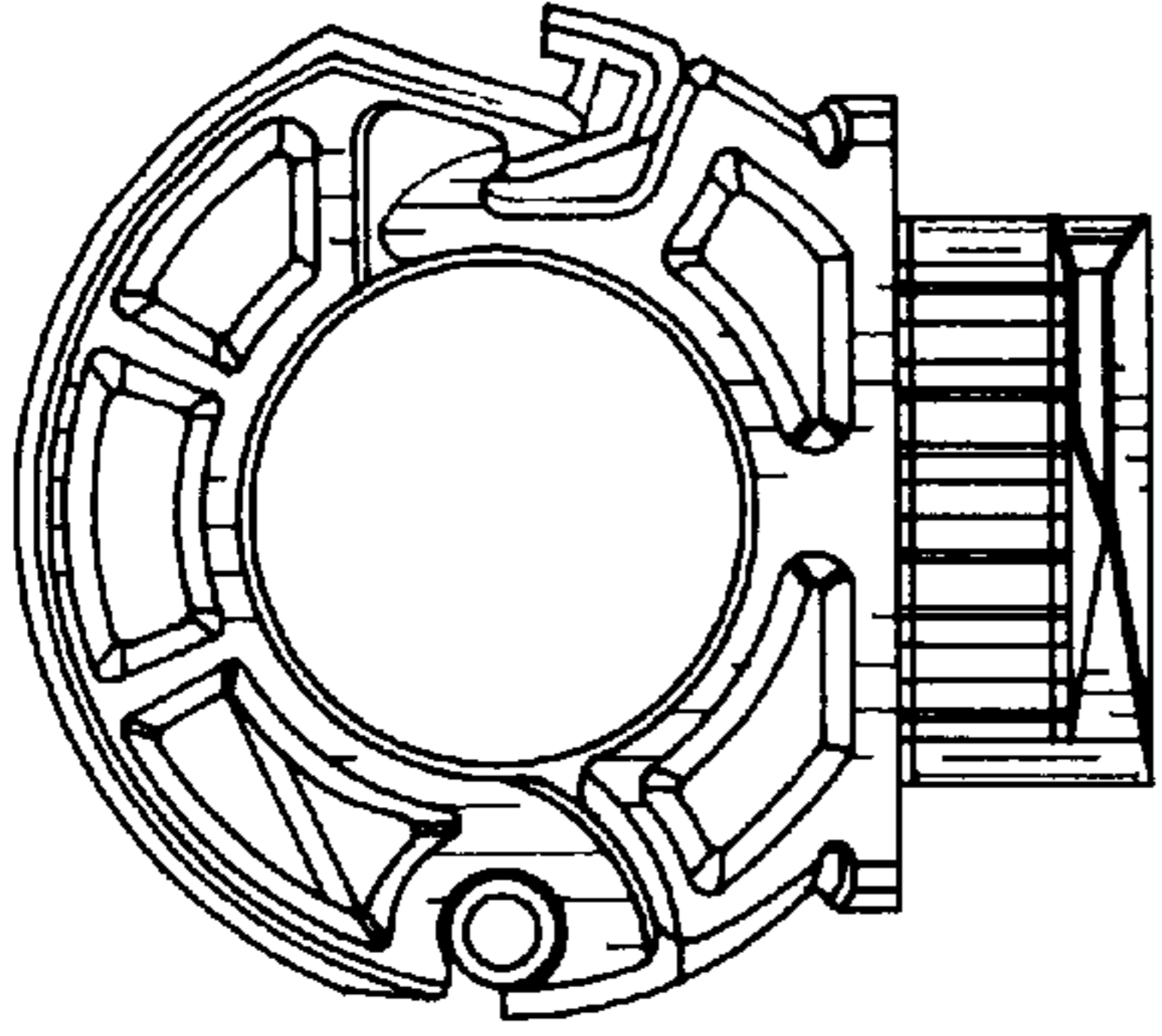


FIG. 1

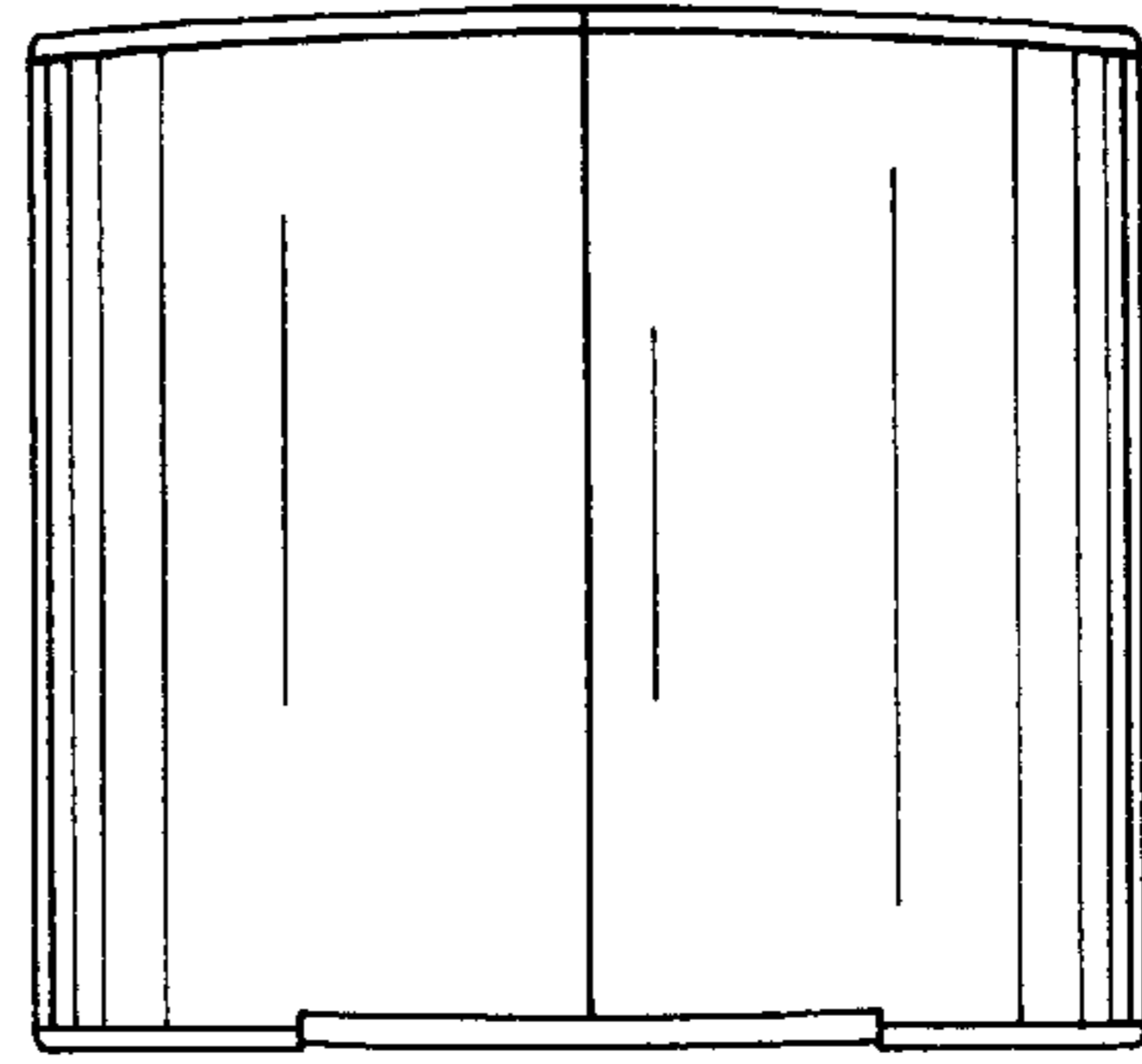


FIG. 4

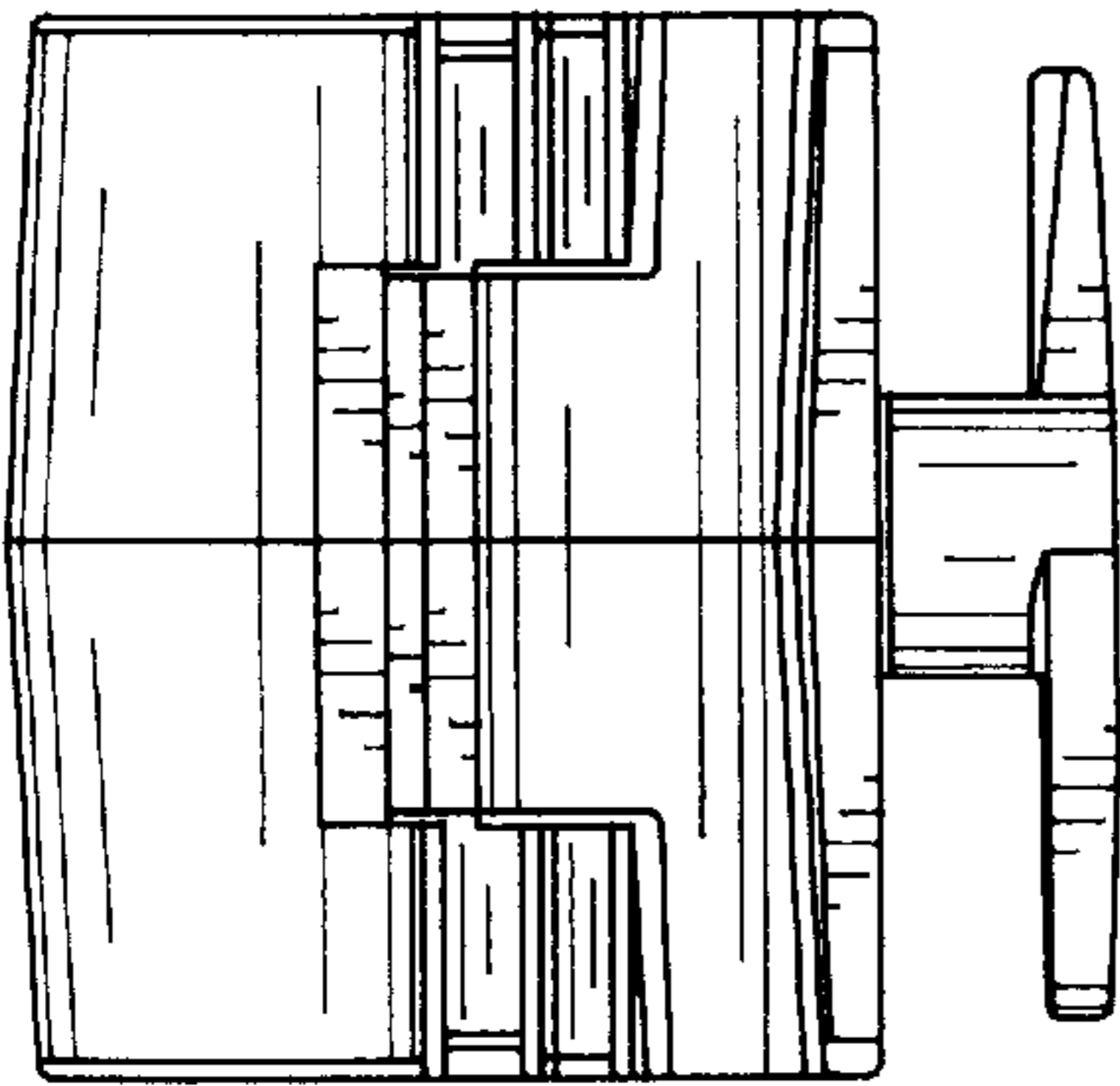


FIG. 5

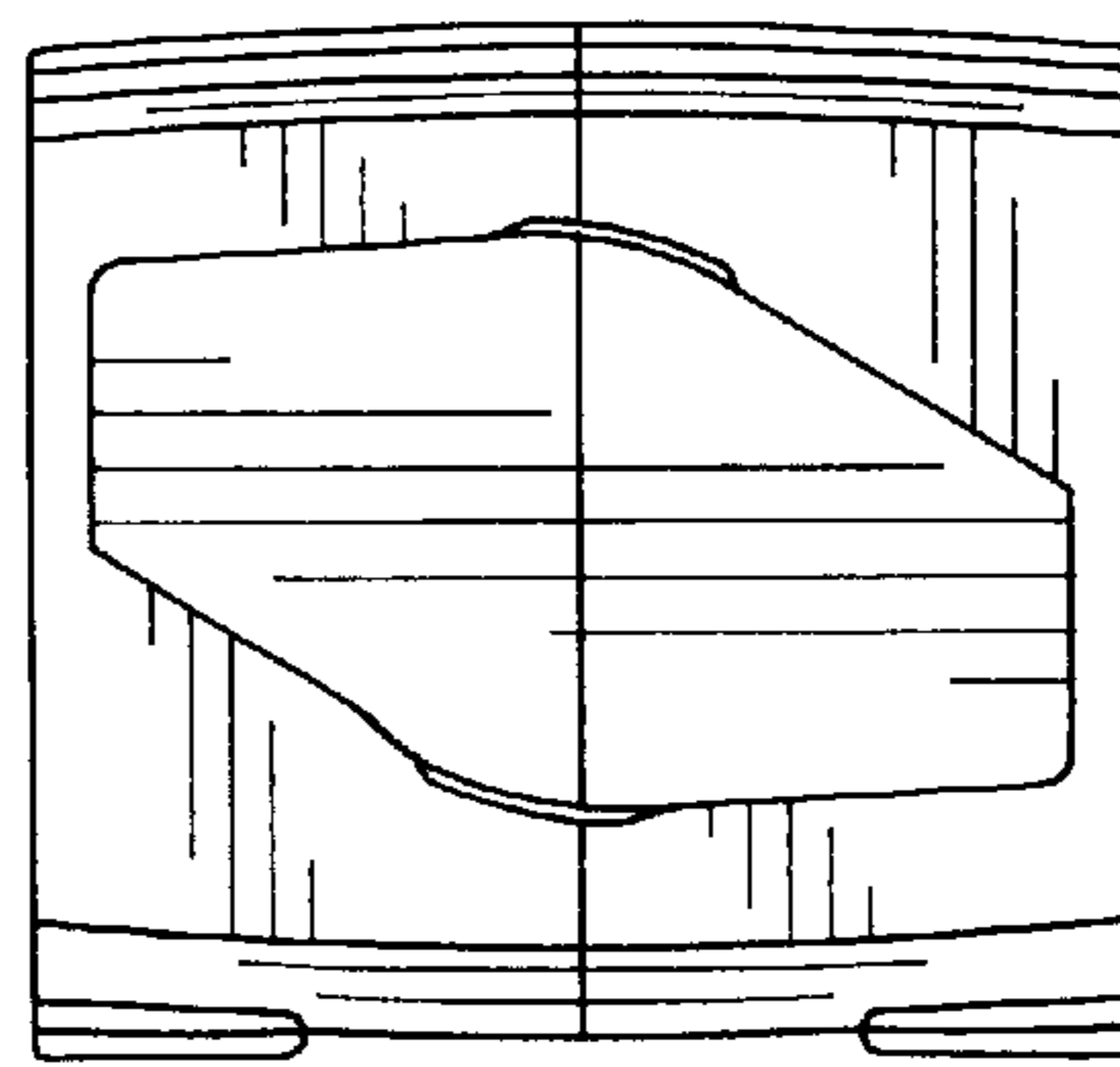


FIG. 2