



US00D438780S

(12) **United States Design Patent**
Horsten

(10) **Patent No.:** **US D438,780 S**

(45) **Date of Patent:** **** Mar. 13, 2001**

(54) **INSTALLATION BRACKET FOR VENETIAN BLIND**

4,607,818 * 8/1986 Georgopoulos 248/544
5,584,459 * 12/1996 Meyer 248/251
5,897,086 * 4/1999 Condon 248/220.1

(76) **Inventor:** **Antonius Johannus Josephus Horsten,**
Muurbloemweg 77, 2555 NC Den Haag
(NL)

* cited by examiner

(**) **Term:** **14 Years**

Primary Examiner—Holly Baynham

(74) *Attorney, Agent, or Firm*—Dorsey & Whitney LLP

(21) **Appl. No.:** **29/118,437**

(22) **Filed:** **Feb. 7, 2000**

(30) **Foreign Application Priority Data**

Aug. 5, 1999 (XH) DMA/004640

(51) **LOC (7) Cl.** **08-05**

(52) **U.S. Cl.** **D8/363**

(58) **Field of Search** D8/349, 354, 380,
D8/363; 160/168.1; 248/251, 205.1, 262,
544, 300

(56) **References Cited**

U.S. PATENT DOCUMENTS

2,787,322 * 4/1957 Jacobson et al. 248/544

(57) **CLAIM**

I claim the ornamental design for the installation bracket for venetian blind, as shown.

DESCRIPTION

FIG. 1 is an isometric view looking downwardly at the top of the installation bracket for venetian blind;
FIG. 2 is a left end elevation thereof;
FIG. 3 is a bottom plan view thereof;
FIG. 4 is a front elevation view thereof;
FIG. 5 is a rear elevation view thereof;
FIG. 6 is a right end view thereof; and,
FIG. 7 is a top plan view thereof.

1 Claim, 2 Drawing Sheets

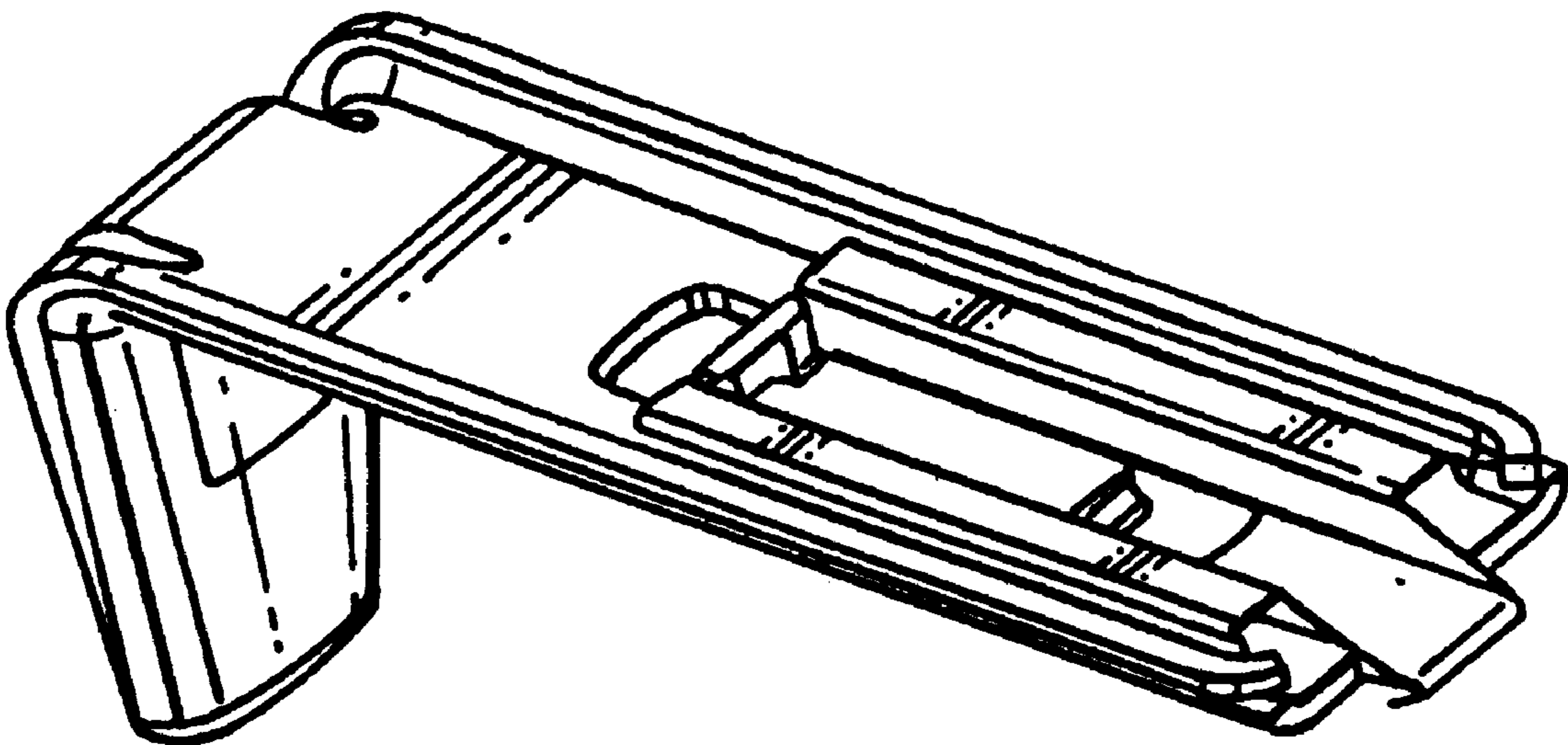


Fig.1.

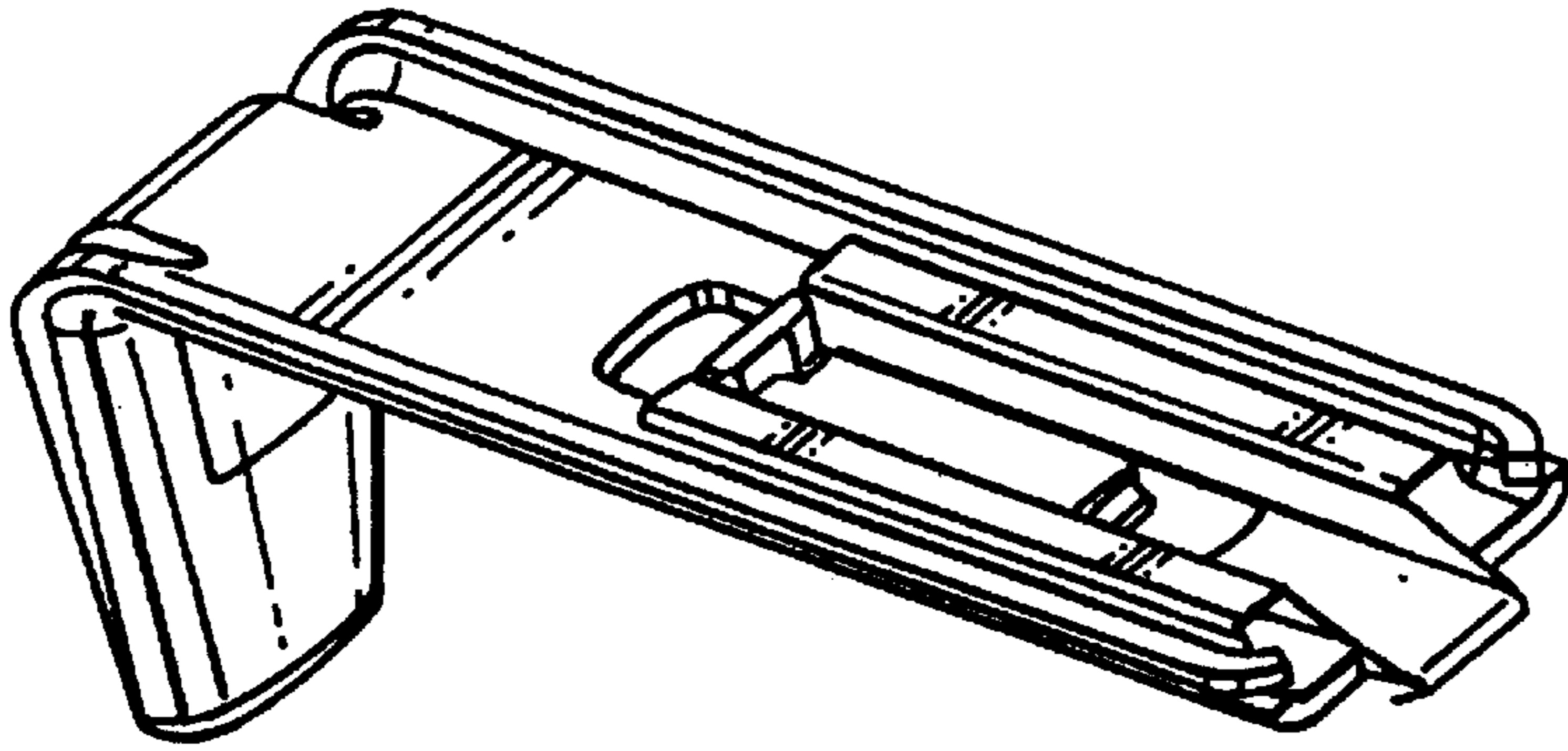


Fig.2.

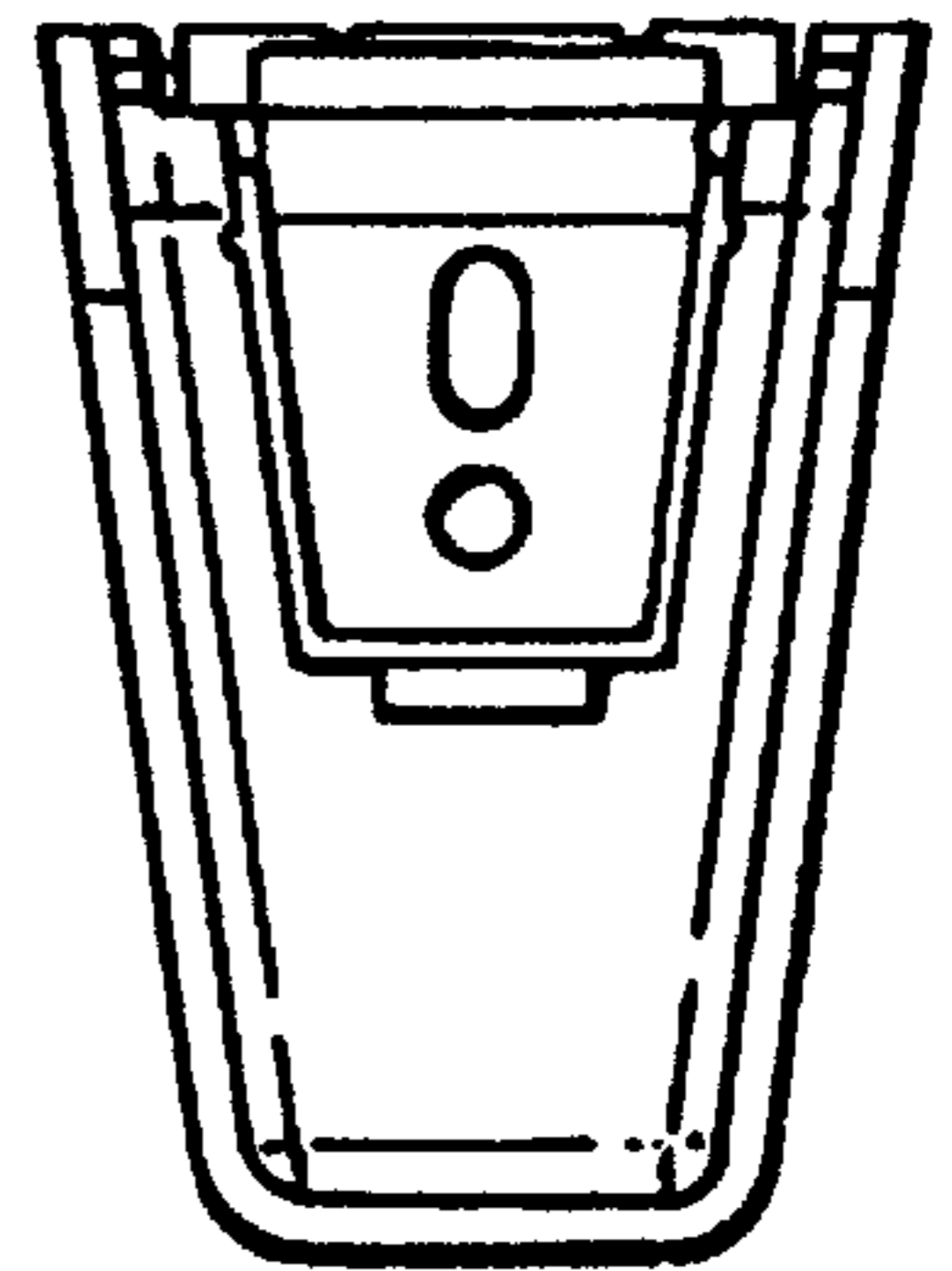


Fig.3.

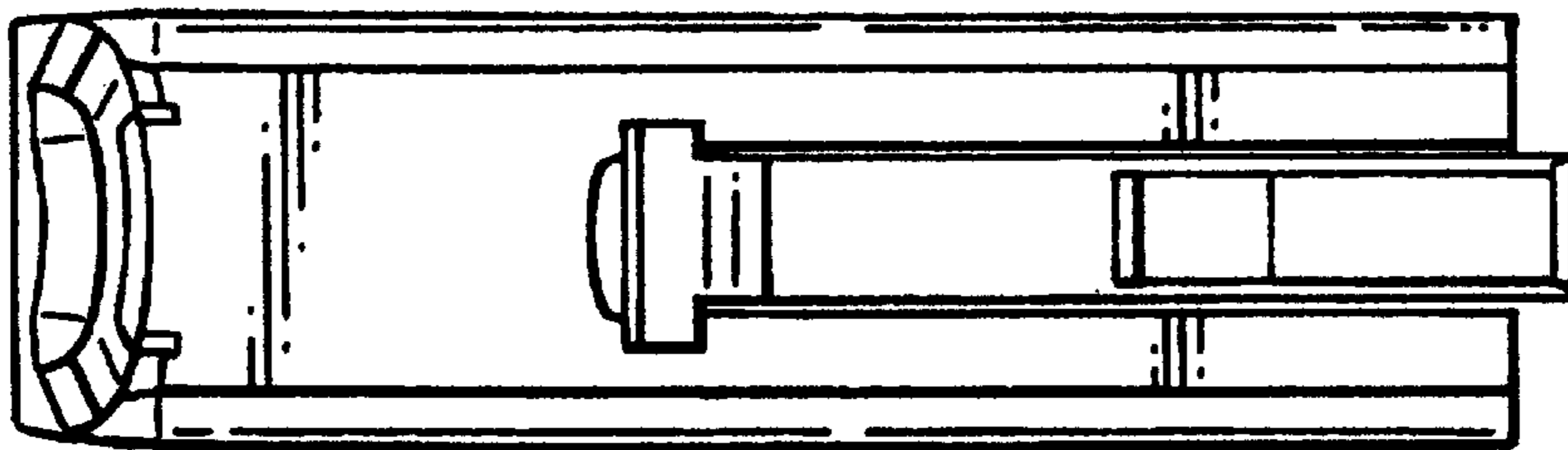
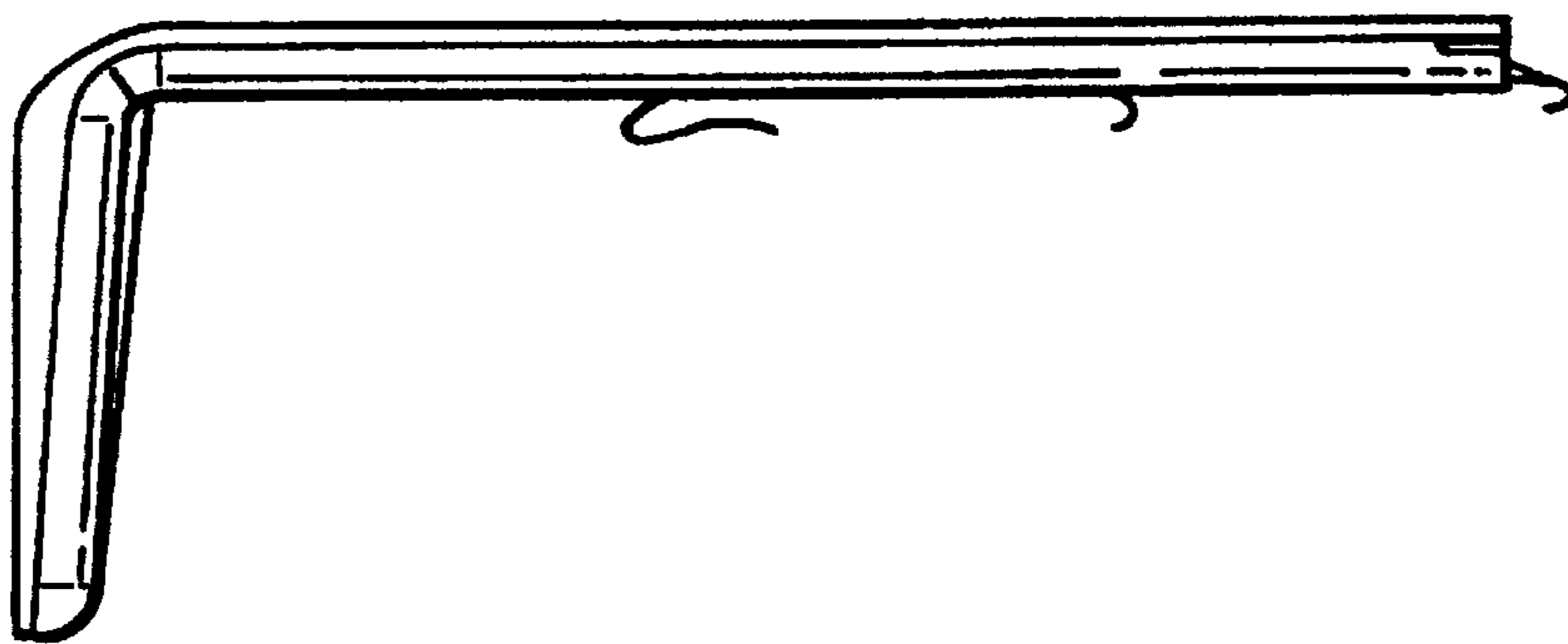


Fig.4.



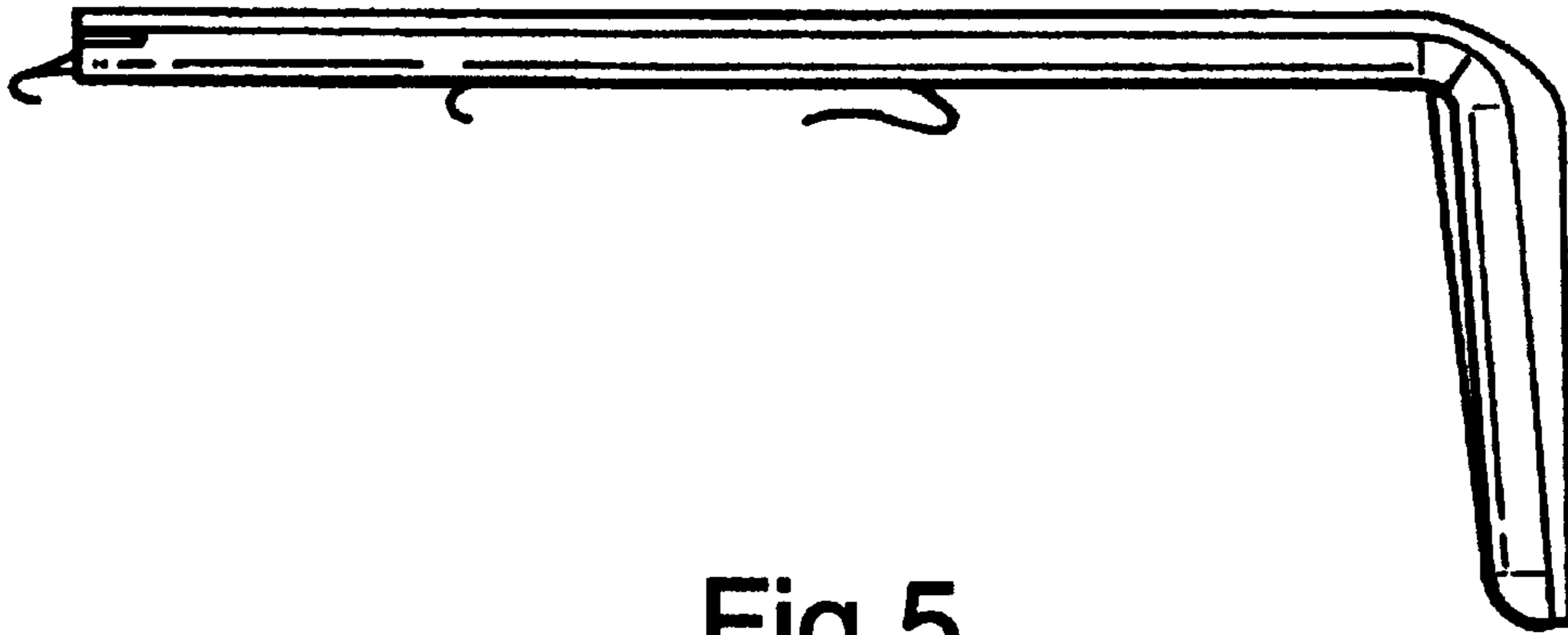


Fig. 5.

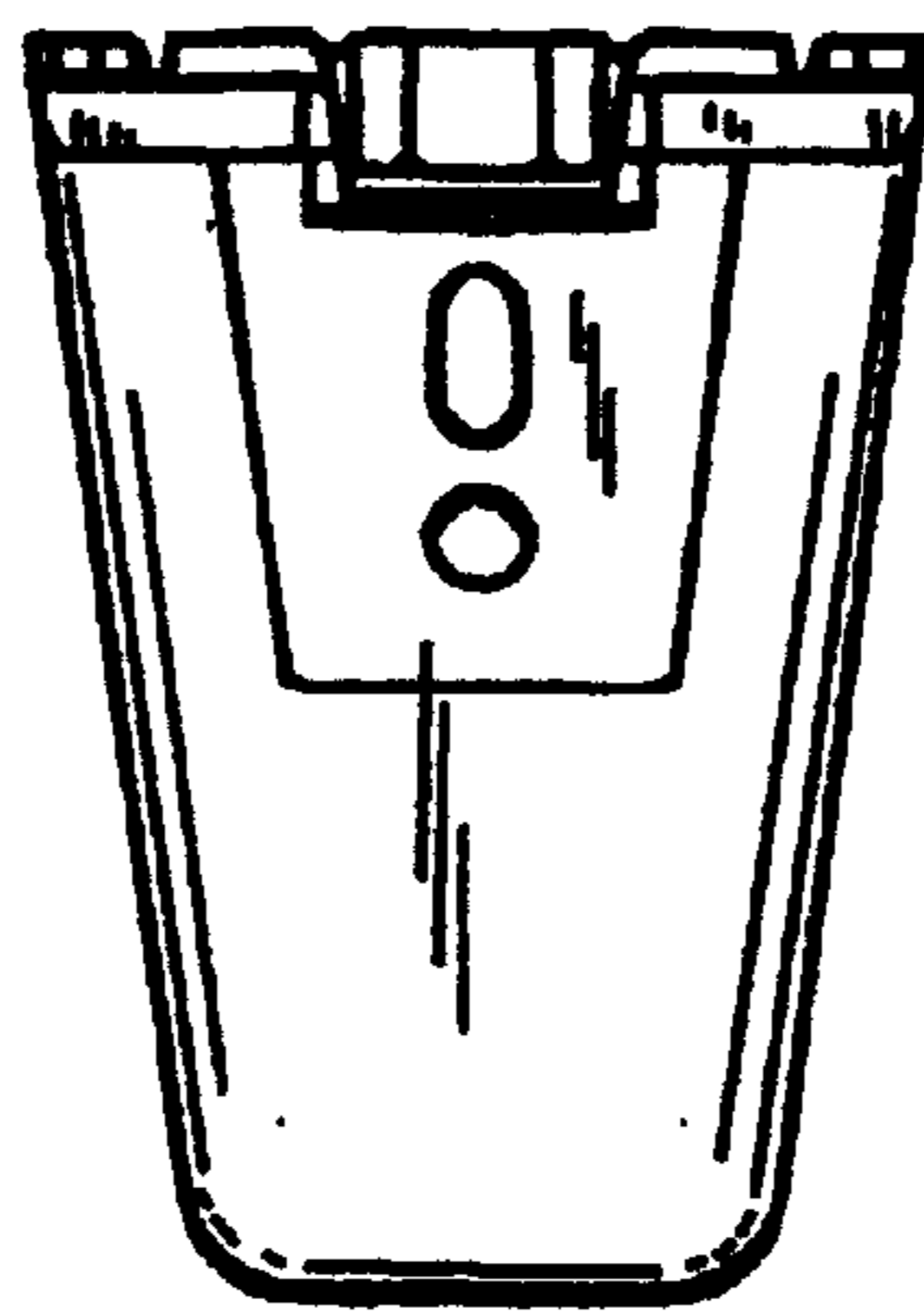


Fig. 6.

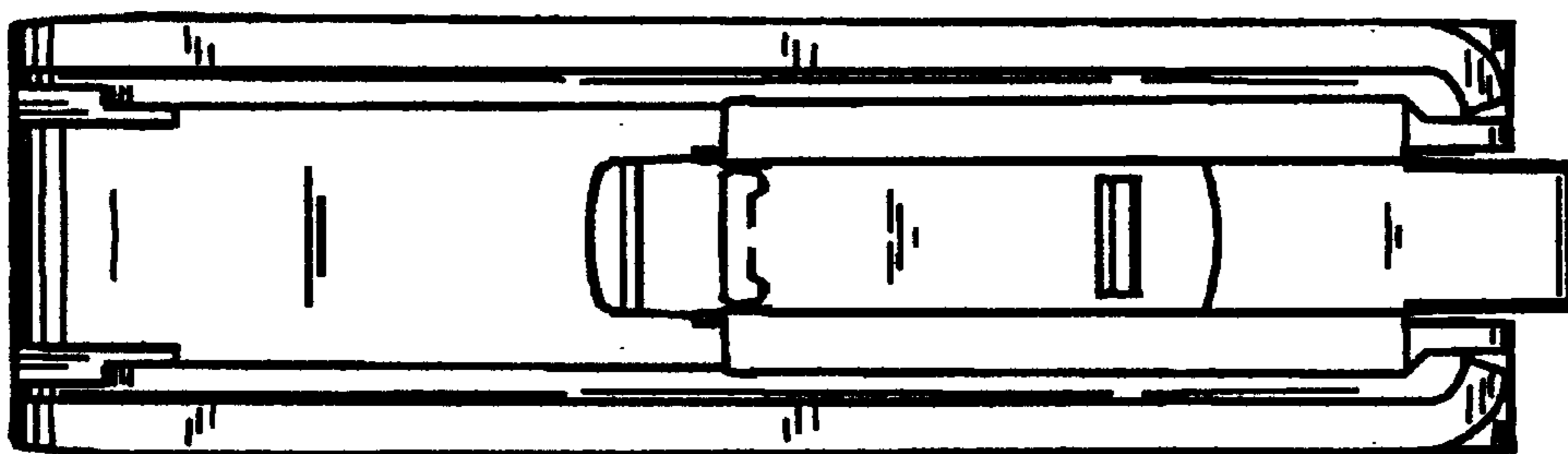


Fig. 7.