



US00D438777S

(12) **United States Design Patent**
Alecci

(10) **Patent No.:** **US D438,777 S**

(45) **Date of Patent:** **** Mar. 13, 2001**

(54) **WALL BRACE**

(75) Inventor: **LaVerne Alecci**, Galatia, IL (US)

(73) Assignee: **Vinco Manufacturing, Inc.**, Galatia, IL (US)

(**) Term: **14 Years**

(21) Appl. No.: **29/123,708**

(22) Filed: **May 24, 2000**

(51) **LOC (7) Cl.** **08-05**

(52) **U.S. Cl.** **D8/354**

(58) **Field of Search** D8/354, 349; 248/351;
D25/199; 52/127.2, 720.2

(56) **References Cited**

U.S. PATENT DOCUMENTS

D. 276,696	*	12/1984	Spinka	D8/349
D. 414,678	*	10/1999	Sanders	D8/354
2,861,767	*	11/1958	Oves et al.	248/351
3,788,026	*	1/1974	Cook	52/127.2
5,203,393	*	4/1993	Blevins et al.	52/720.2

* cited by examiner

Primary Examiner—Holly Baynham
(74) *Attorney, Agent, or Firm*—Dennison, Scheiner, Schultz & Wakeman

(57) **CLAIM**

The ornamental design for a wall brace, as shown and described.

DESCRIPTION

FIG. 1 is a perspective view of a wall brace showing my new design;
FIG. 2 is a detail view in perspective of one end thereof;
FIG. 3 is a side elevation view thereof;
FIG. 4 is a top plan view thereof;
FIG. 5 is a bottom plan view thereof;
FIG. 6 is a perspective view of a wall brace showing a second embodiment of my new design;
FIG. 7 is a detail view in perspective of one end of the wall brace shown in FIG. 6;
FIG. 8 is a side elevation view thereof;
FIG. 9 is a top plan view thereof; and,
FIG. 10 is a bottom plan view thereof.
FIGS. 2 and 7 are shown in a fragmented and enlarged manner for clarity of illustration.

1 Claim, 4 Drawing Sheets

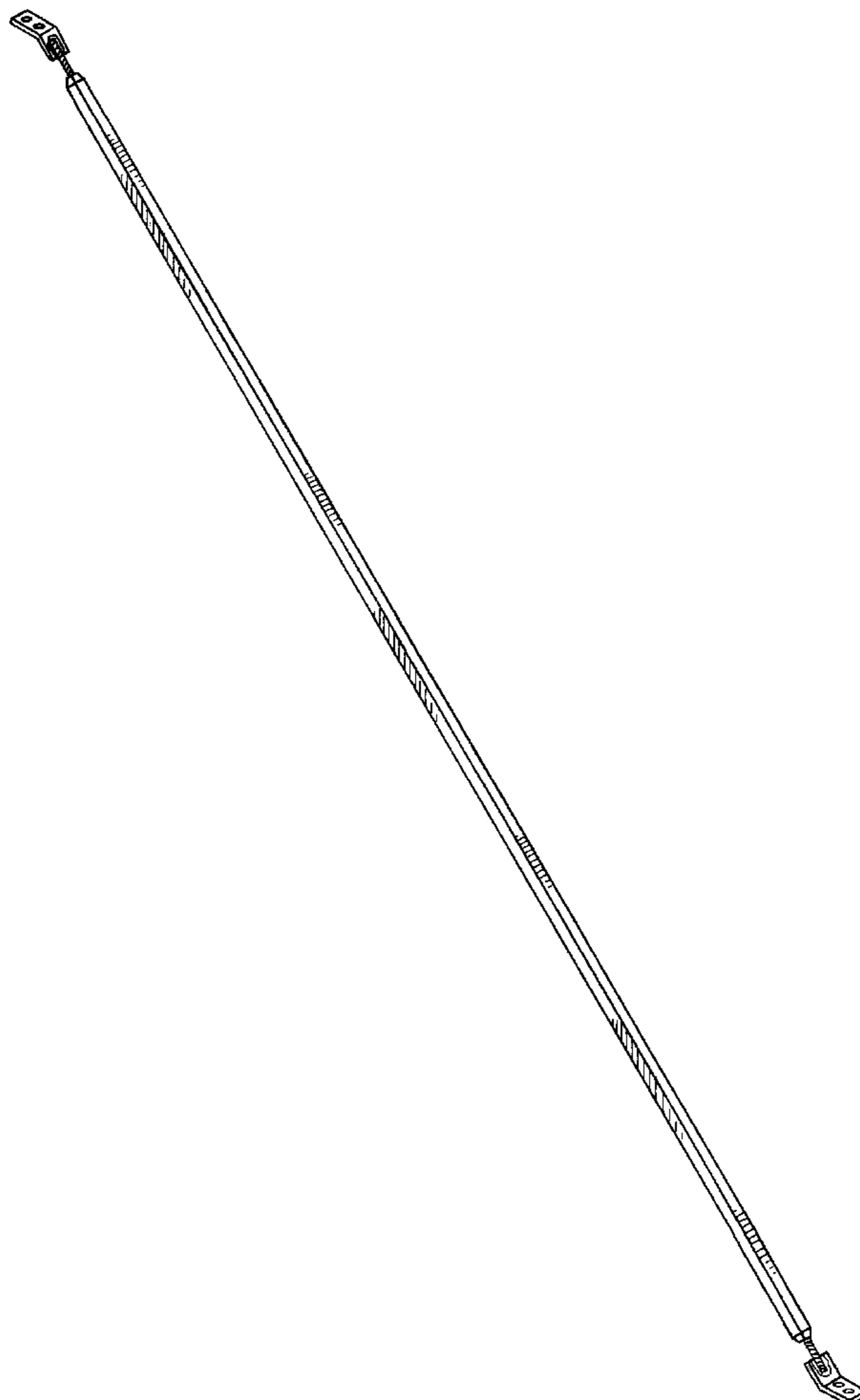


FIG. 1

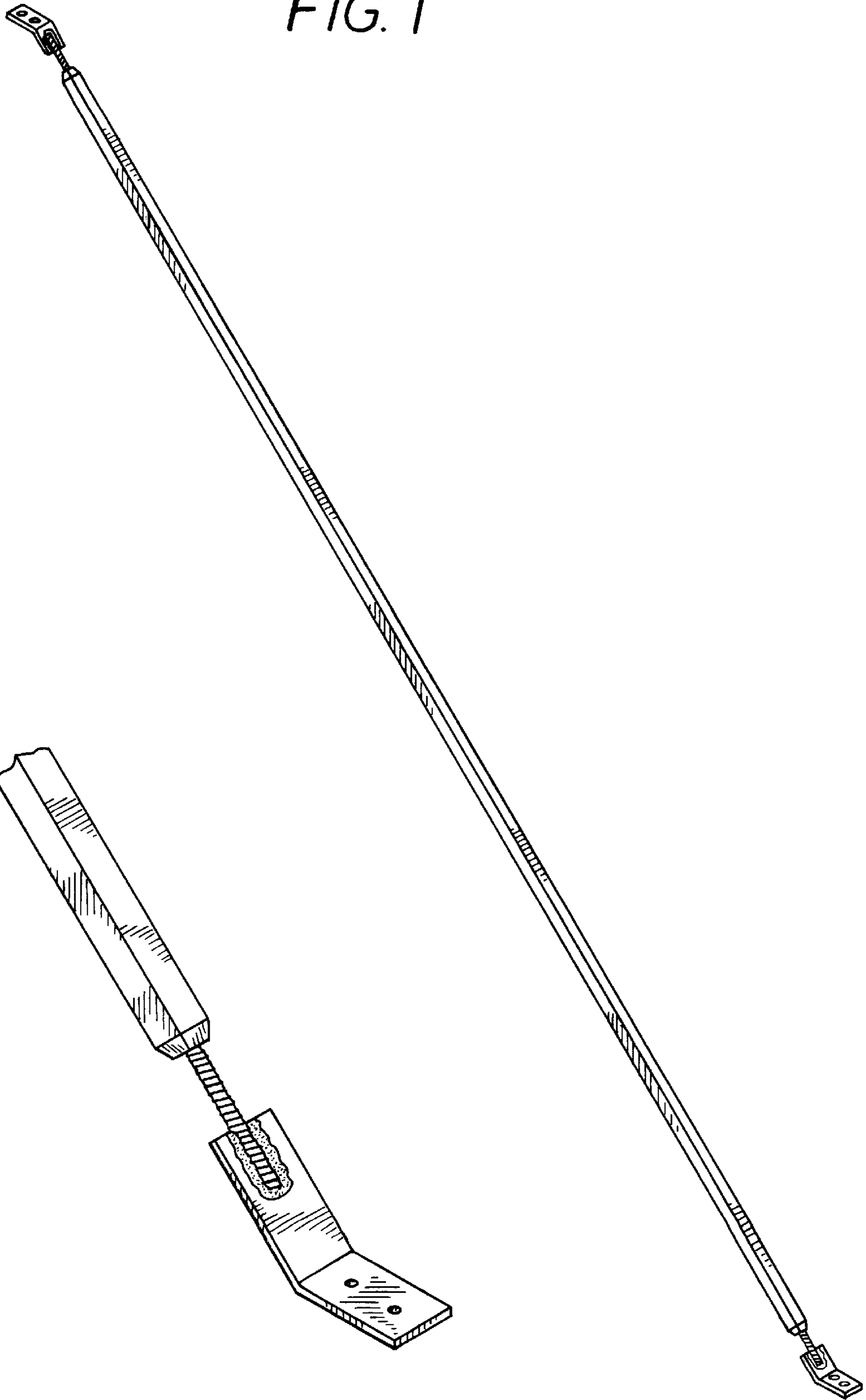
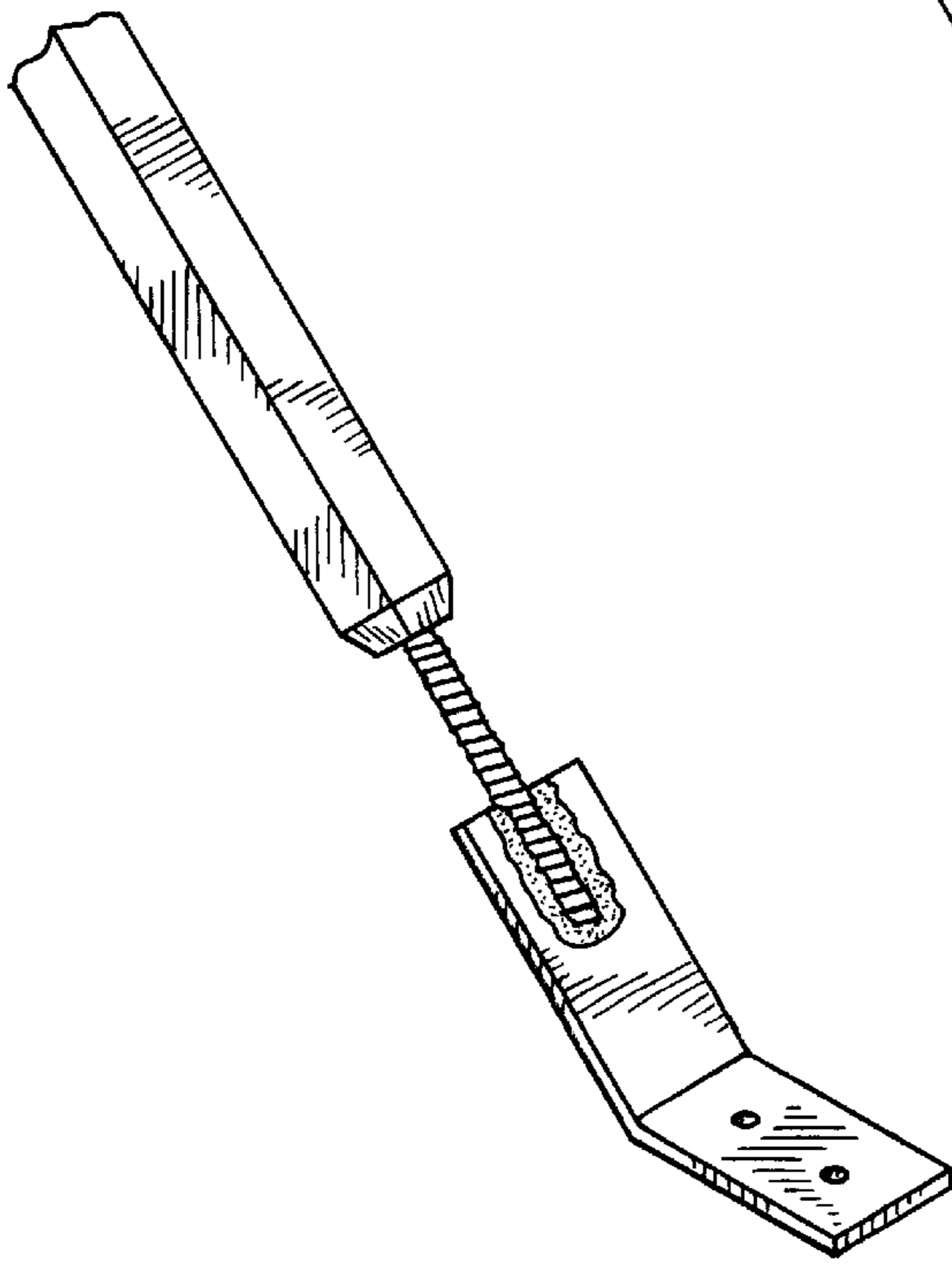


FIG. 2



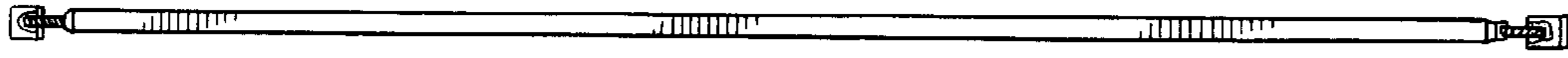


FIG. 4

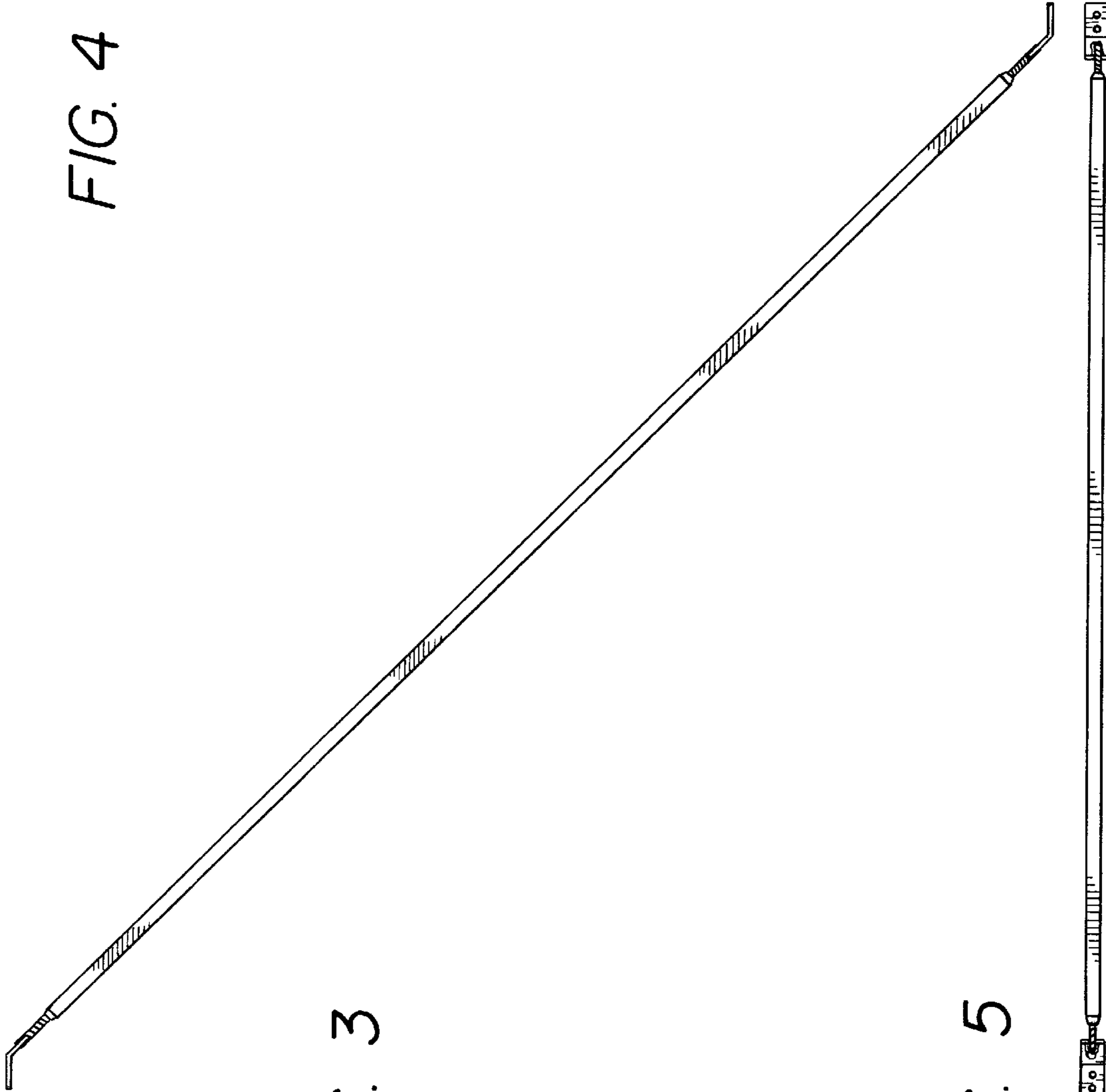


FIG. 3



FIG. 5

FIG. 6

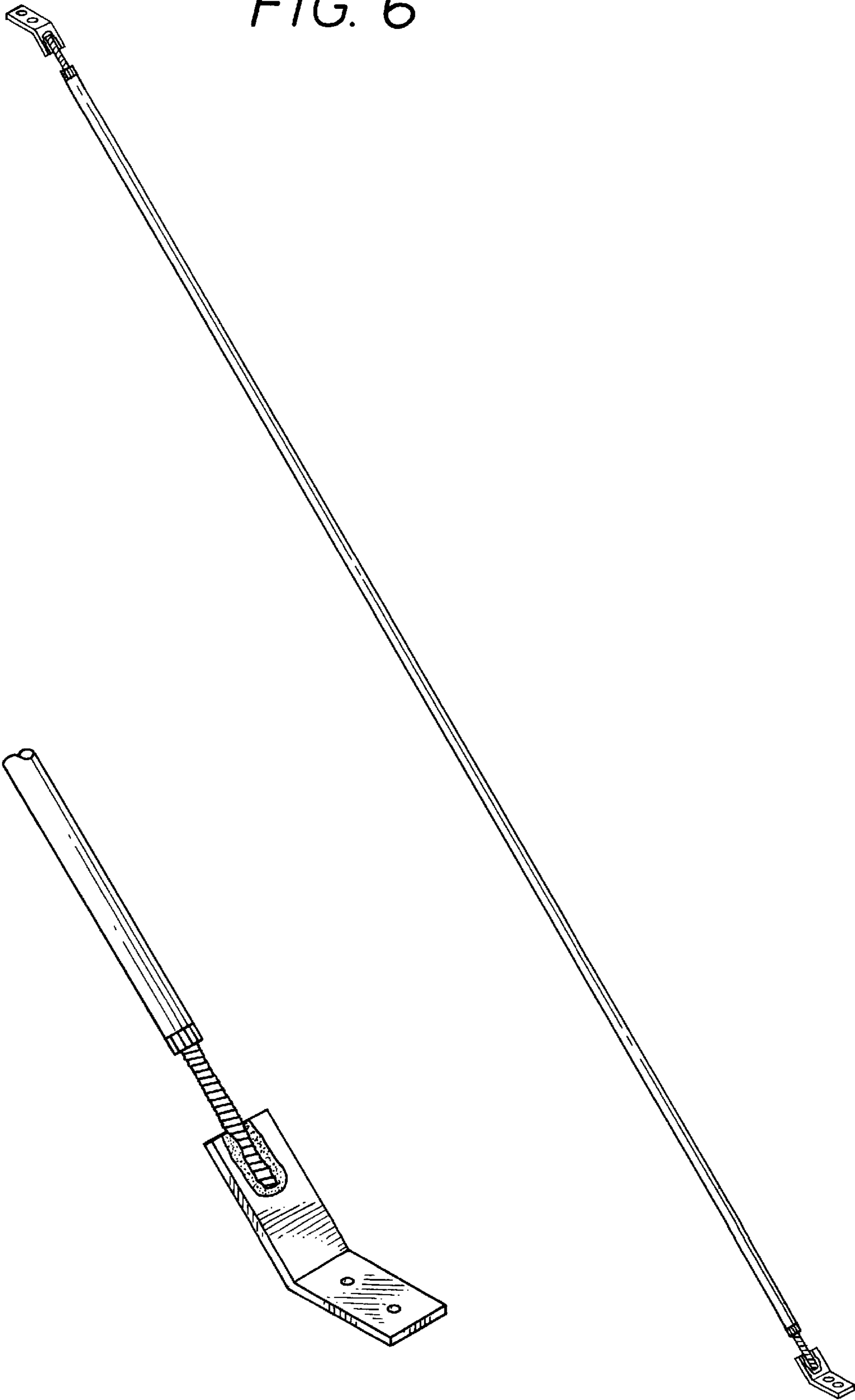
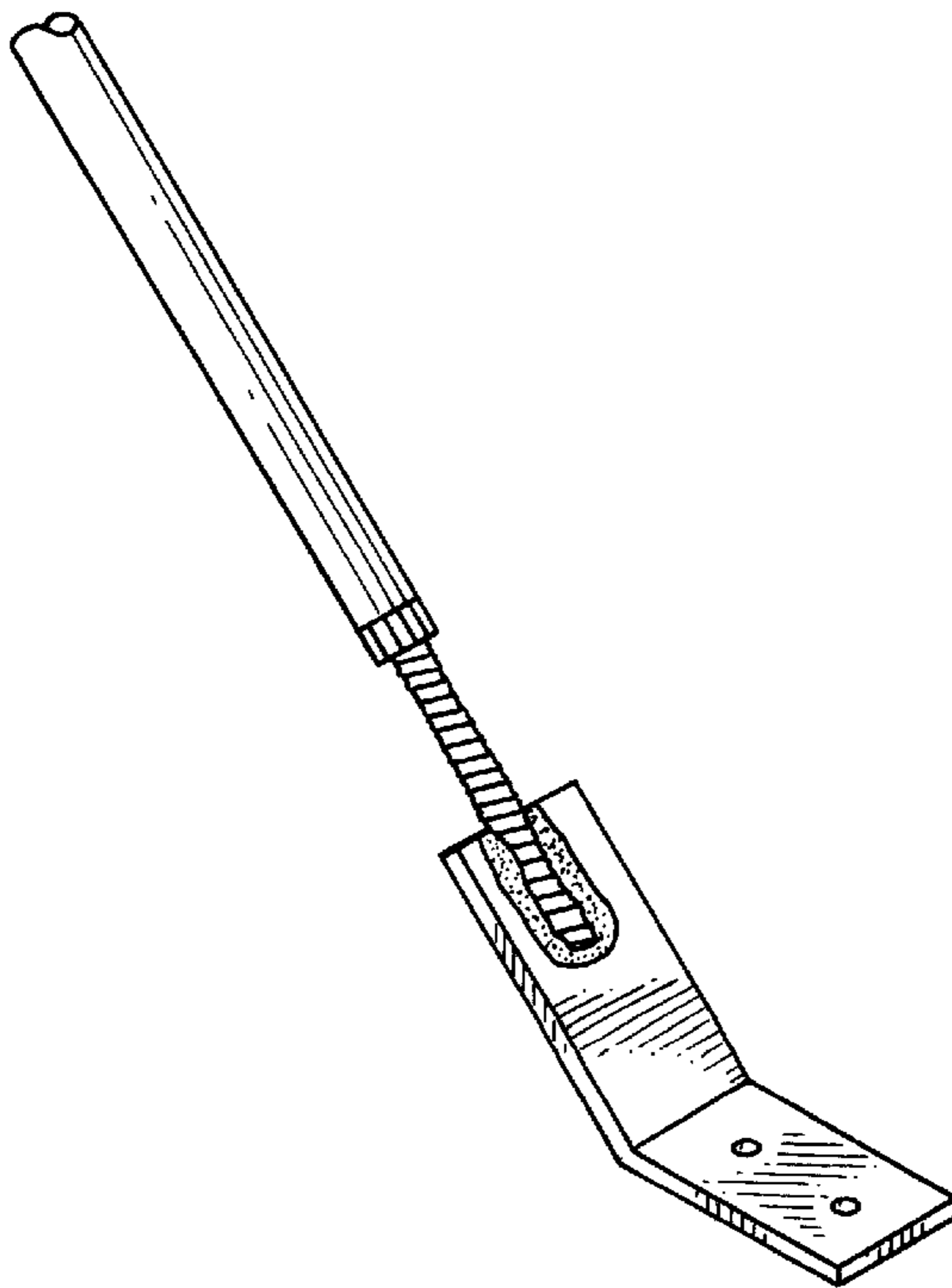


FIG. 7



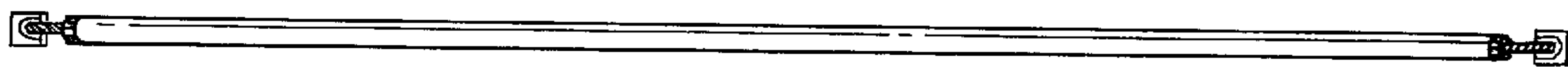


FIG. 9

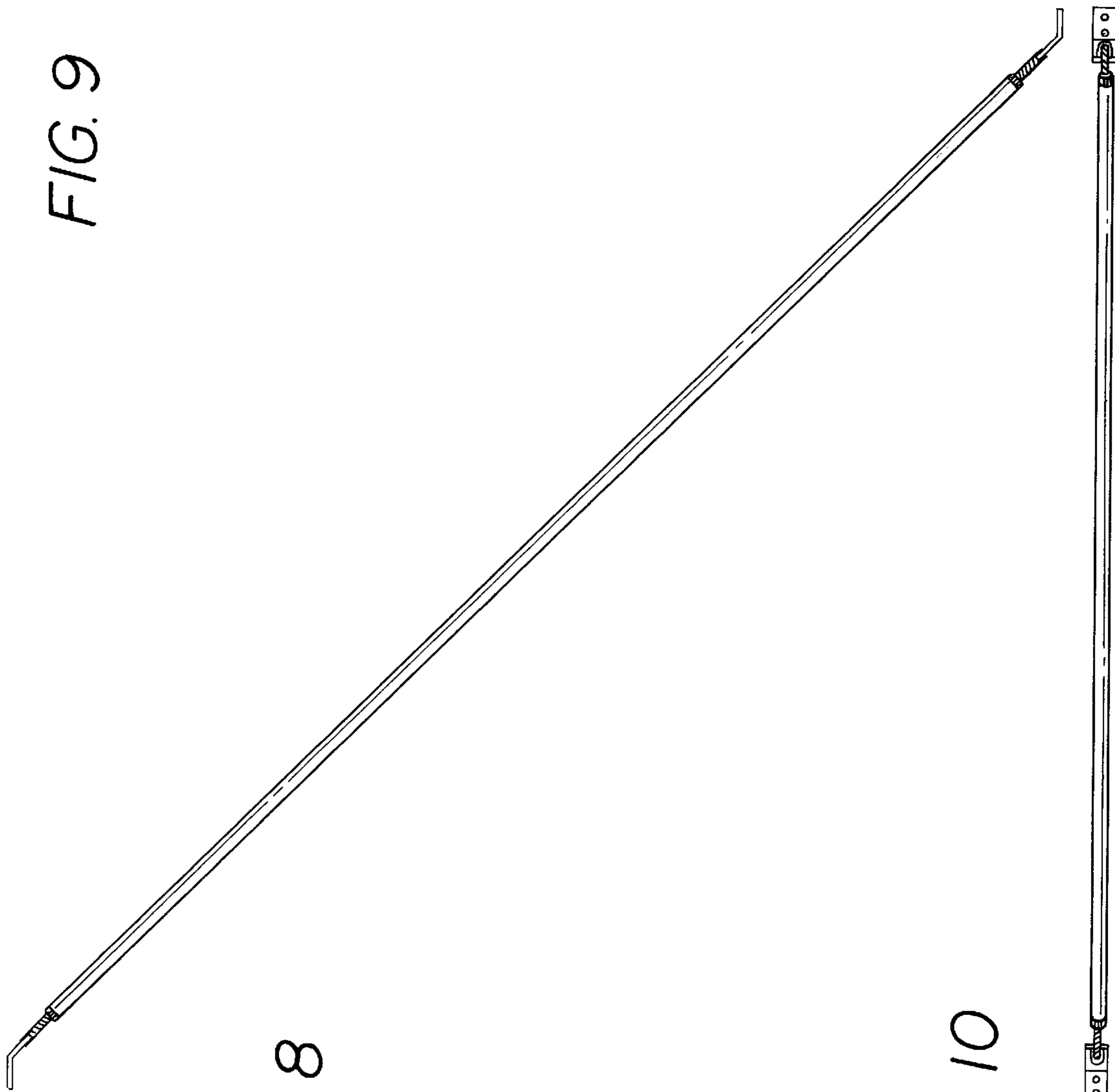


FIG. 8

FIG. 10



UNITED STATES PATENT AND TRADEMARK OFFICE
CERTIFICATE OF CORRECTION

PATENT NO. : Des 438,777 S
DATED : March 13, 2001
INVENTOR(S) : LaVern Alecci

Page 1 of 1

It is certified that error appears in the above-identified patent and that said Letters Patent is hereby corrected as shown below:

Title page,

Item [75] "Inventor", replace "LaVerne" with -- LaVern --.

Signed and Sealed this

Sixteenth Day of October, 2001

Attest:

Nicholas P. Godici

Attesting Officer

NICHOLAS P. GODICI
Acting Director of the United States Patent and Trademark Office