



US00D438776S

(12) **United States Design Patent**
Boscherini

(10) **Patent No.:** **US D438,776 S**

(45) **Date of Patent:** **** Mar. 13, 2001**

(54) **HANDLE**

(75) Inventor: **Camille Boscherini**, Oxon (GB)

(73) Assignee: **Allgood Holdings Limited**, London (GB)

(**) Term: **14 Years**

(21) Appl. No.: **29/113,761**

(22) Filed: **Nov. 10, 1999**

(30) **Foreign Application Priority Data**

May 12, 1999 (GB) 2083328
May 12, 1999 (GB) 2083329

(51) **LOC (7) Cl.** **08-06**

(52) **U.S. Cl.** **D8/316**

(58) **Field of Search** D8/315-318; 16/415,
16/412, 110.1

(56) **References Cited**

U.S. PATENT DOCUMENTS

D. 227,437 * 6/1973 Pruitt .
D. 274,123 * 6/1984 Tegner D8/316
D. 299,110 * 12/1988 Jans D8/316
D. 337,507 * 7/1993 Jans D8/316

OTHER PUBLICATIONS

Paul Associates Cat.; p. 58, pull 3800.*

* cited by examiner

Primary Examiner—B. J. Bullock

(74) *Attorney, Agent, or Firm*—Wenderoth, Lind & Ponack, L.L.P.

(57) **CLAIM**

The ornamental design for a handle, as shown and described.

DESCRIPTION

FIG. 1 is a perspective view of a handle according to a first embodiment of the present invention as seen from the front, top and right side thereof;

FIG. 2 is a front view of the handle according to the first embodiment;

FIG. 3 is a bottom view of the handle according to the first embodiment, noting that the top view corresponds to the bottom view;

FIG. 4 is a right end view of the handle according to the first embodiment;

FIG. 5 is a left end view of the handle according to the first embodiment;

FIG. 6 is a perspective view of a handle according to a second embodiment of the present invention as seen from the front, top and right side thereof;

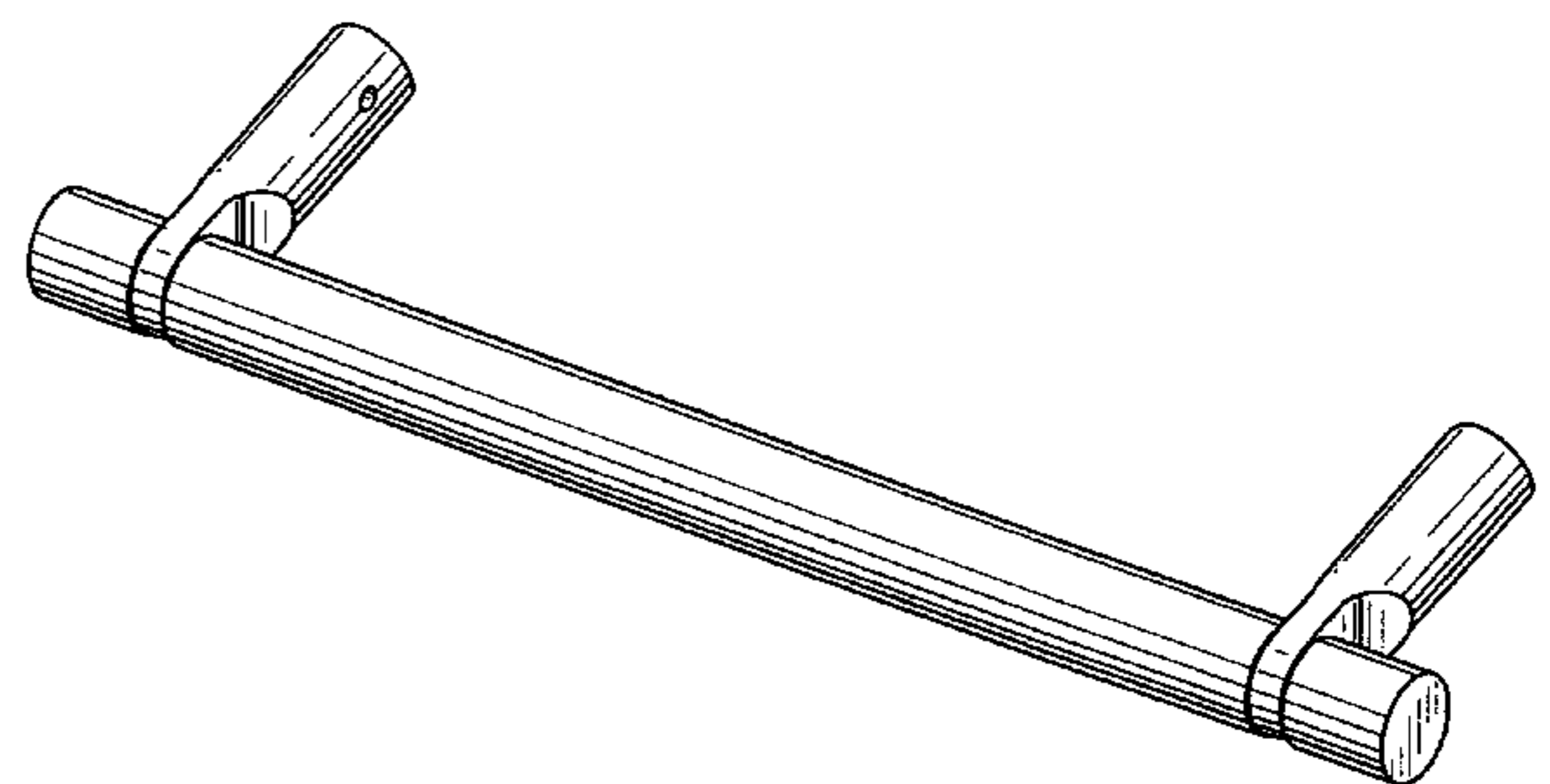
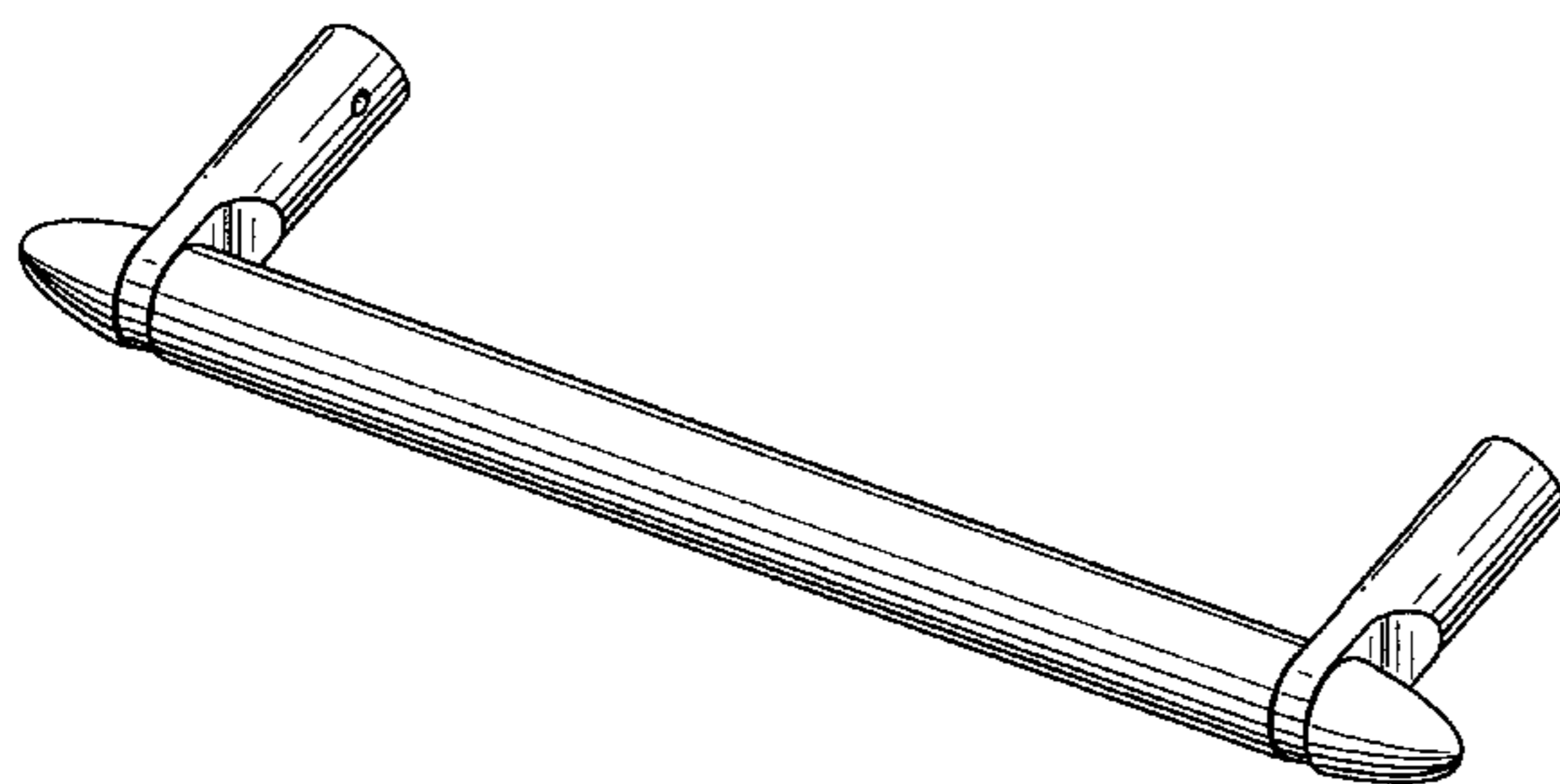
FIG. 7 is a front view of the handle according to the second embodiment;

FIG. 8 is a bottom view of the handle according to the second embodiment, noting that the top view corresponds to the bottom view;

FIG. 9 is a right end view of the handle according to the second embodiment; and,

FIG. 10 is a left end view of the handle according to the second embodiment.

1 Claim, 2 Drawing Sheets



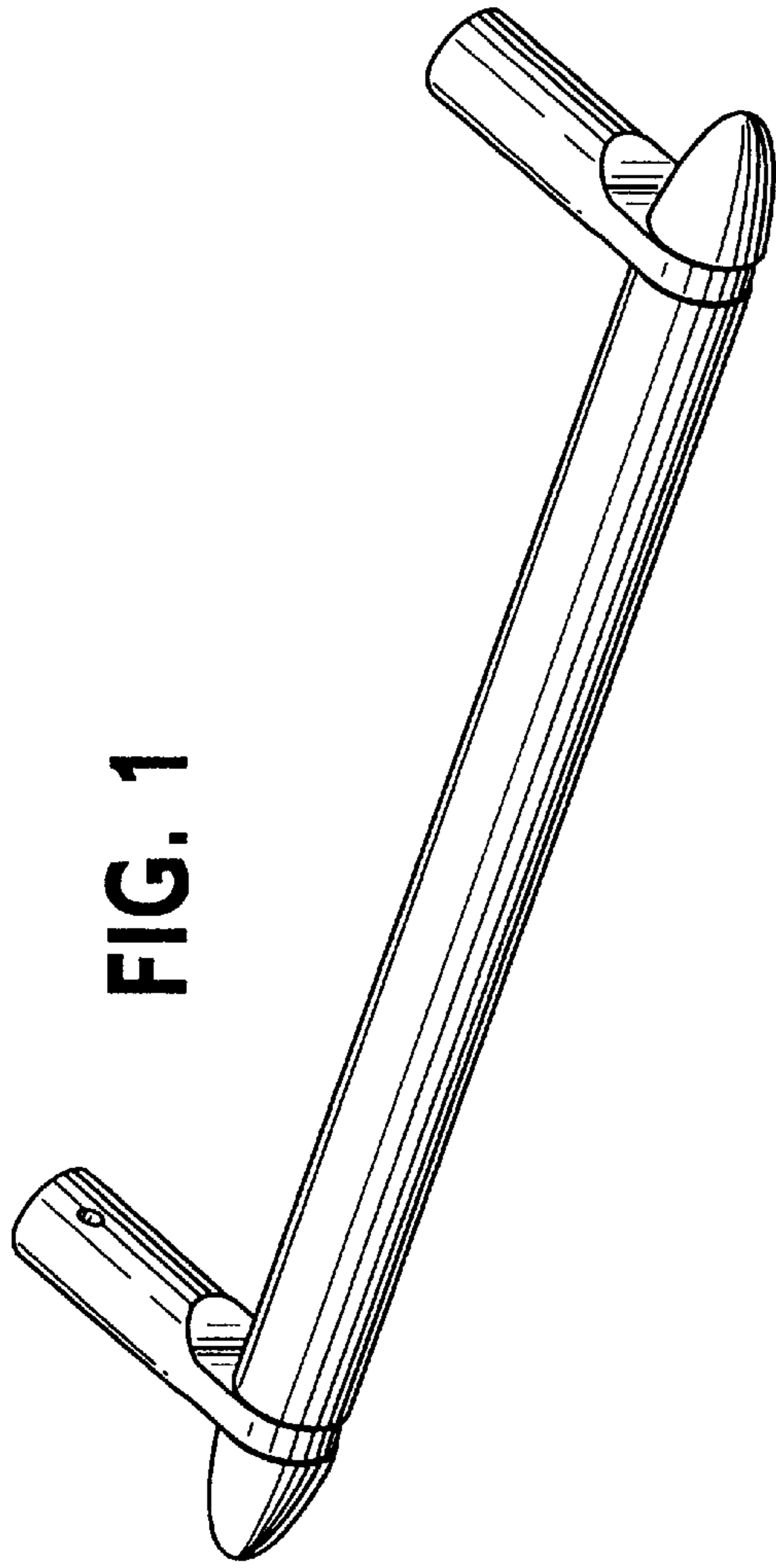


FIG. 1

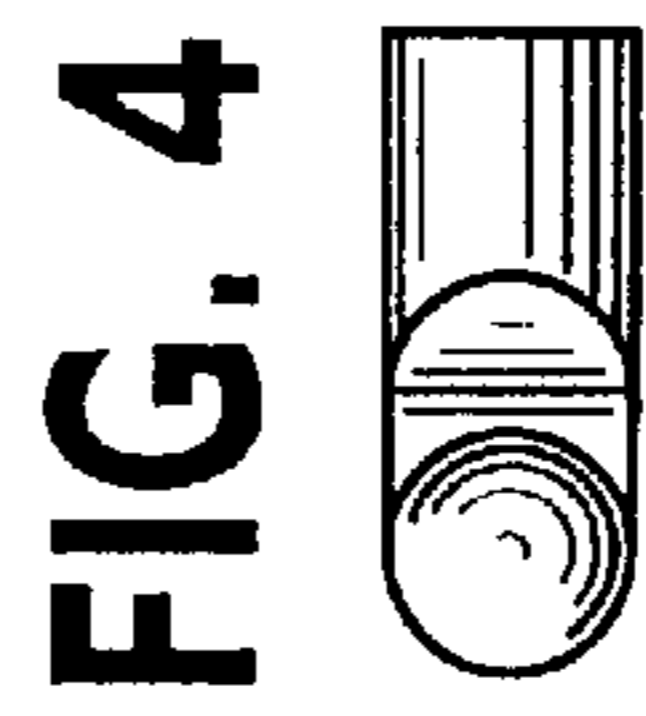


FIG. 4



FIG. 5

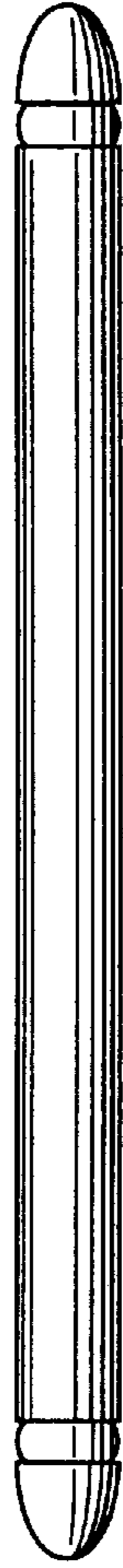


FIG. 2

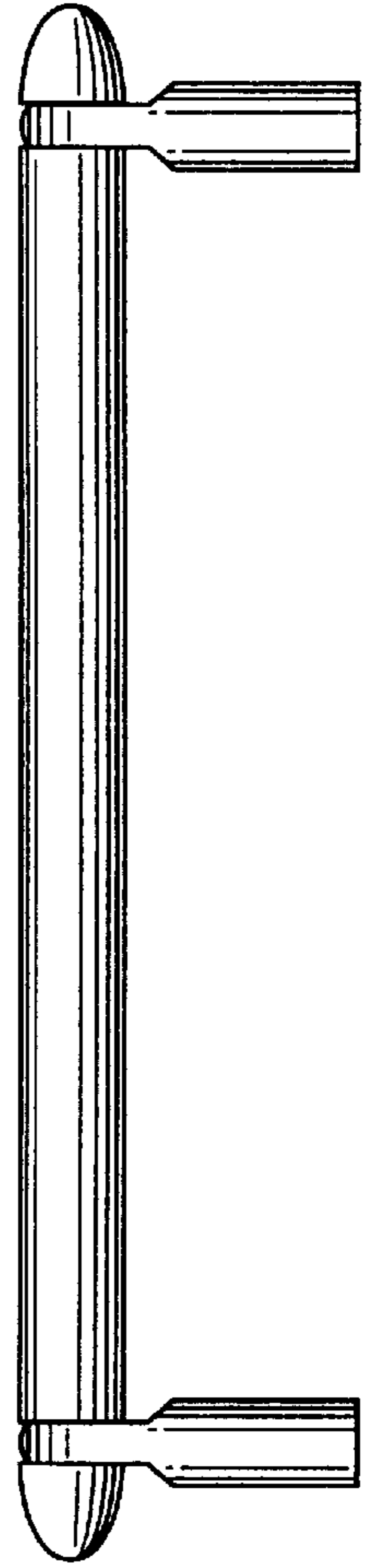


FIG. 3

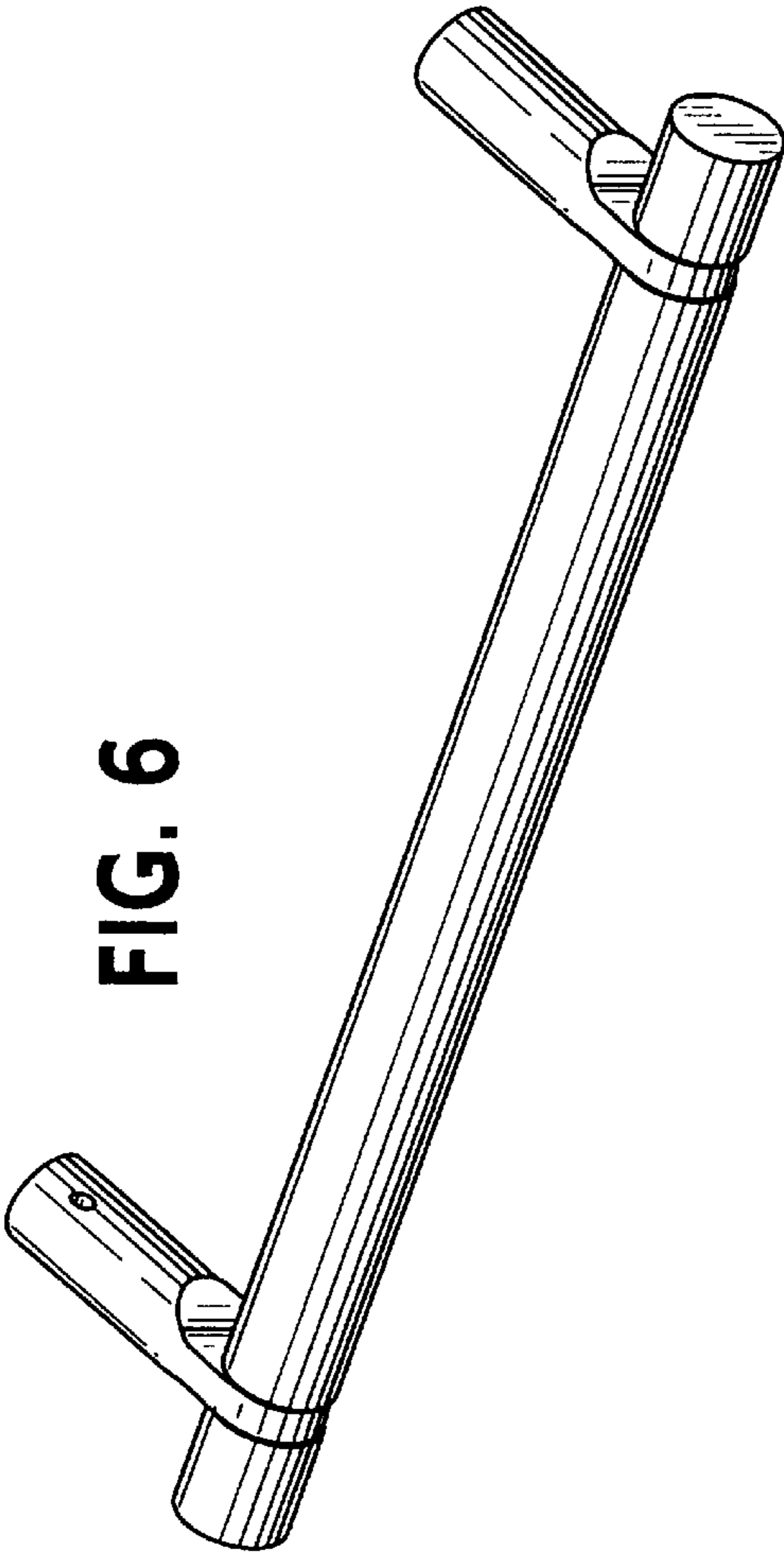


FIG. 6

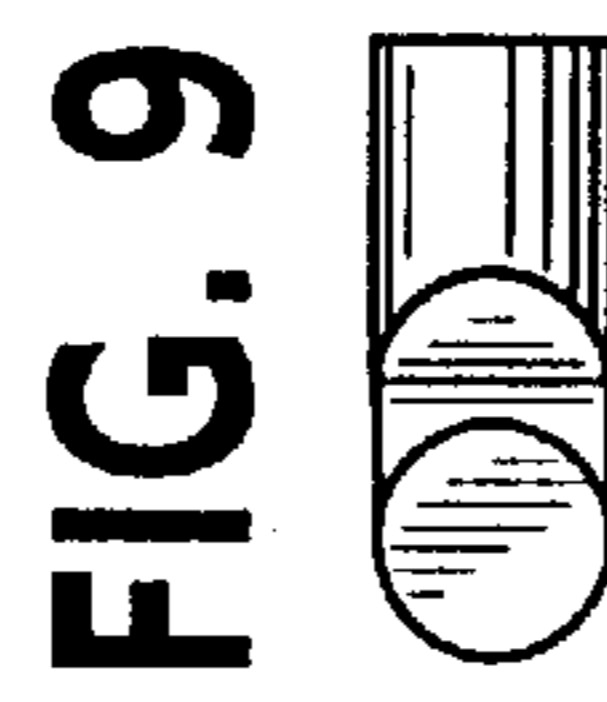


FIG. 9



FIG. 10

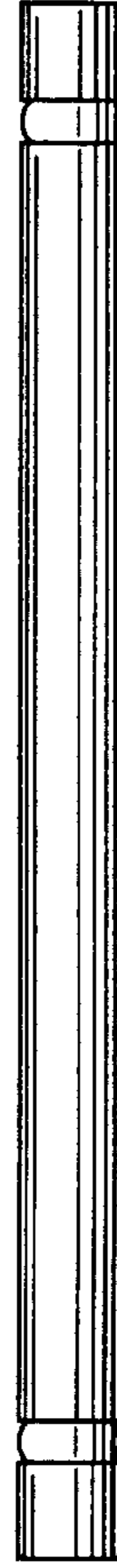


FIG. 7

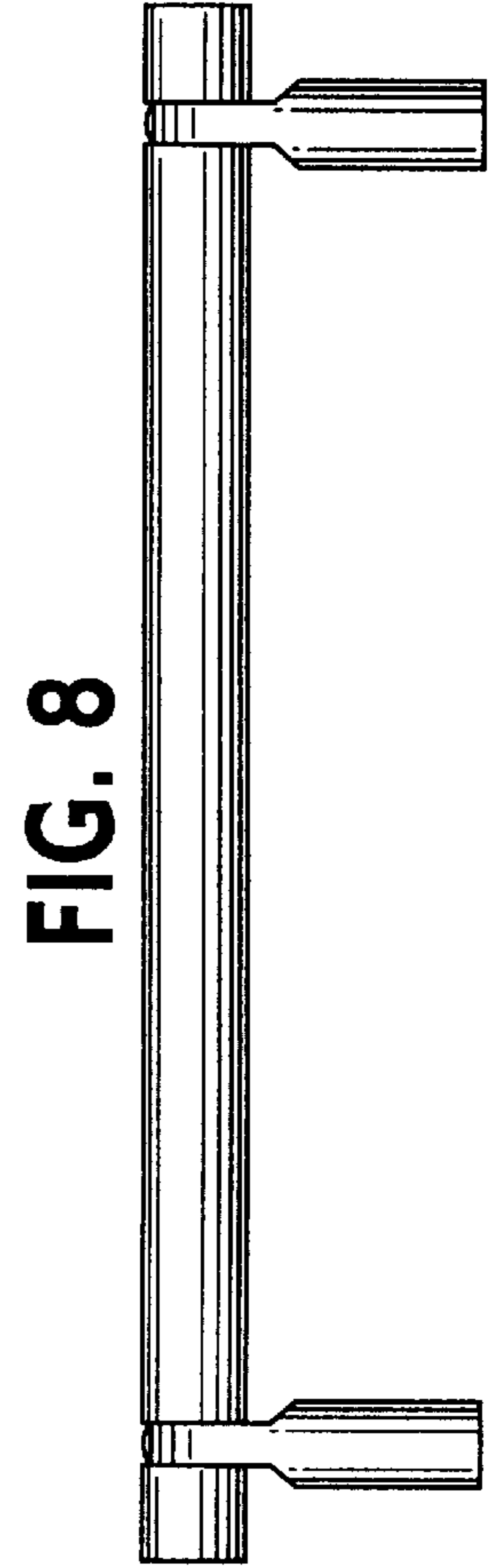


FIG. 8