



US00D438775S

(12) **United States Design Patent**
Magnusson

(10) **Patent No.:** **US D438,775 S**

(45) **Date of Patent:** **** Mar. 13, 2001**

(54) **HANDLE**

(76) **Inventor:** **Claes Magnusson**, 23 McKay Road,
Wimbledon, SW20 OHT London (GB)

(**) **Term:** **14 Years**

(21) **Appl. No.:** **29/125,739**

(22) **Filed:** **Jun. 29, 2000**

(51) **LOC (7) Cl.** **08-06**

(52) **U.S. Cl.** **D8/308**

(58) **Field of Search** D8/300-302, 308;
16/110.1, 412; 292/356

(56) **References Cited**

U.S. PATENT DOCUMENTS

D. 260,478	*	9/1981	Belaiche	D8/308
D. 290,578	*	6/1987	Belaiche	D8/308
D. 296,815	*	7/1988	Jans	D8/308
D. 299,109	*	12/1988	Jans	D8/308

OTHER PUBLICATIONS

Paul Associates Cat.; p. 49; lever 1097.*

* cited by examiner

Primary Examiner—B. J. Bullock

(74) *Attorney, Agent, or Firm*—Birch, Stewart, Kolasch & Birch, LLP

(57) **CLAIM**

The ornamental design for a handle, as shown and described.

DESCRIPTION

FIG. 1 is a perspective view of a handle showing my new design;

FIG. 2 is a rear elevational view thereof;

FIG. 3 is a bottom view thereof;

FIG. 4 is a front elevational view thereof;

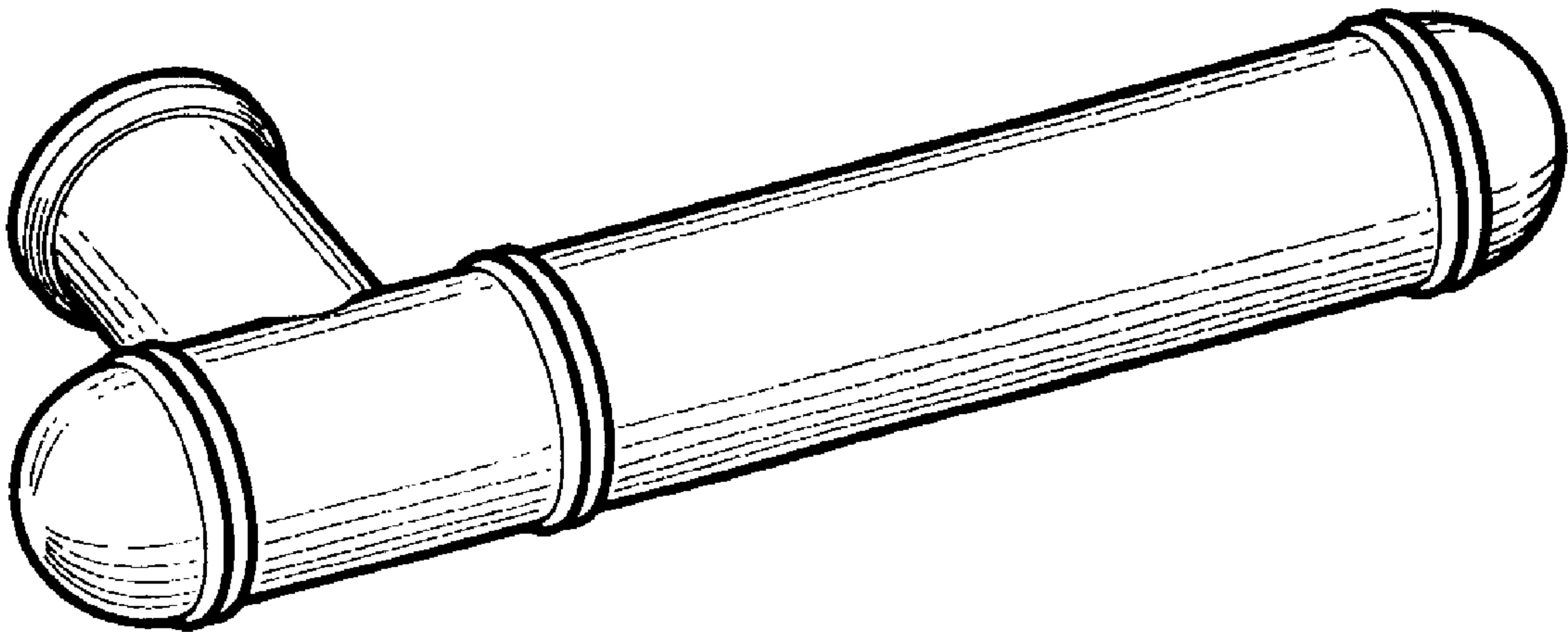
FIG. 5 is a right side elevational view thereof;

FIG. 6 is a left side elevational view thereof; and,

FIG. 7 is a top plan view thereof.

The broken lines are for illustrative purposes only and form no part of the claimed design.

1 Claim, 1 Drawing Sheet



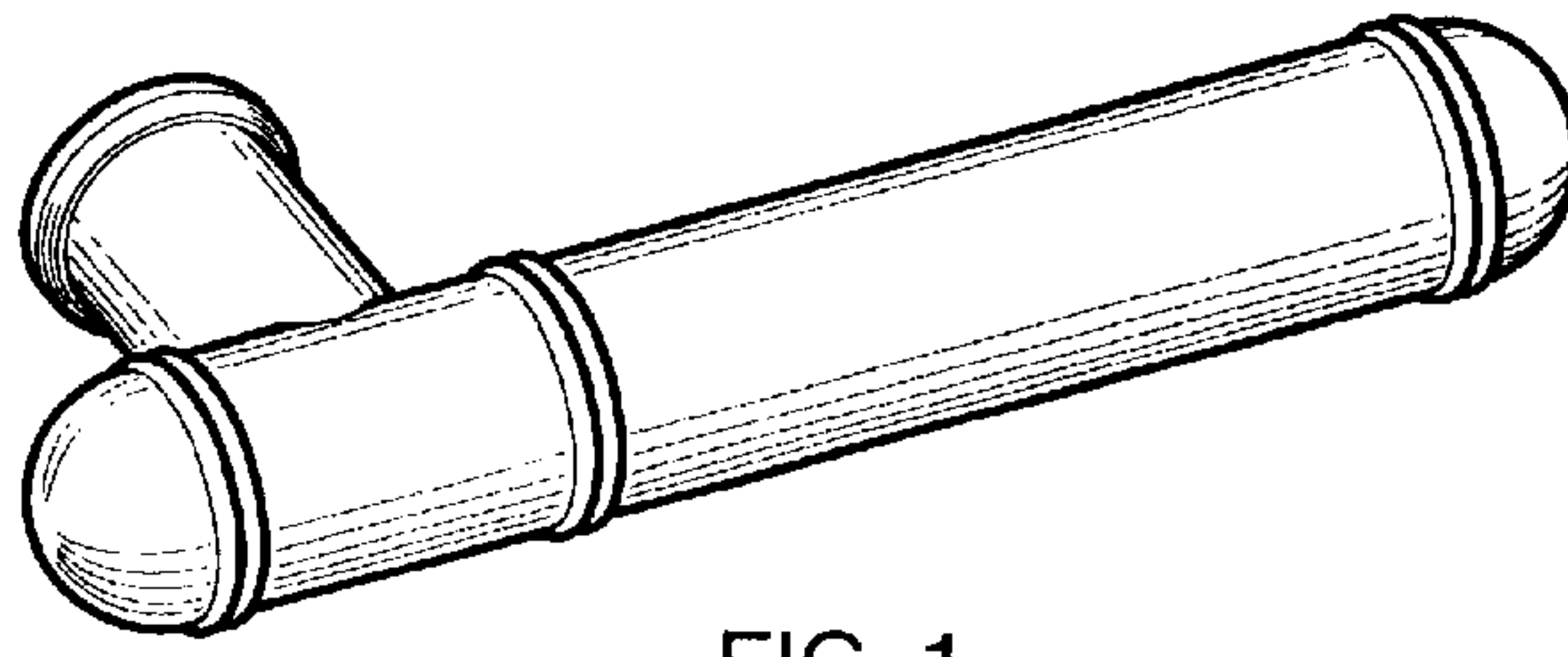


FIG. 1

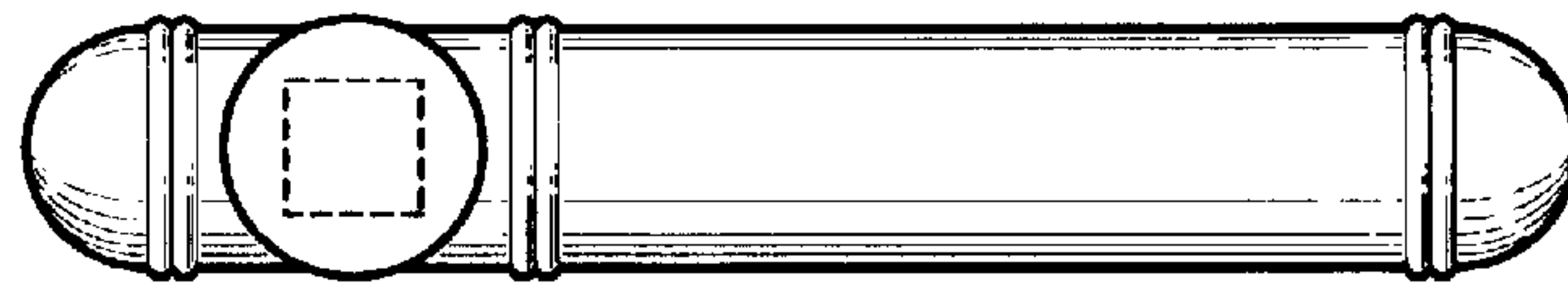


FIG. 2

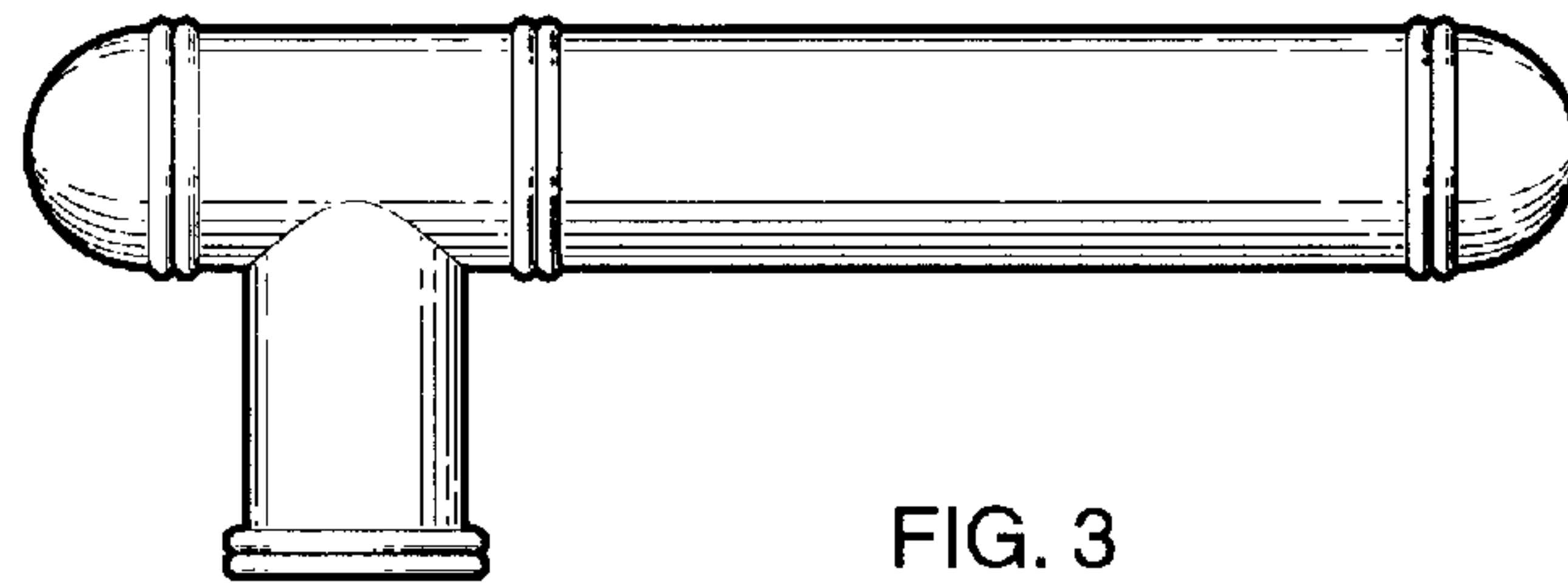


FIG. 3

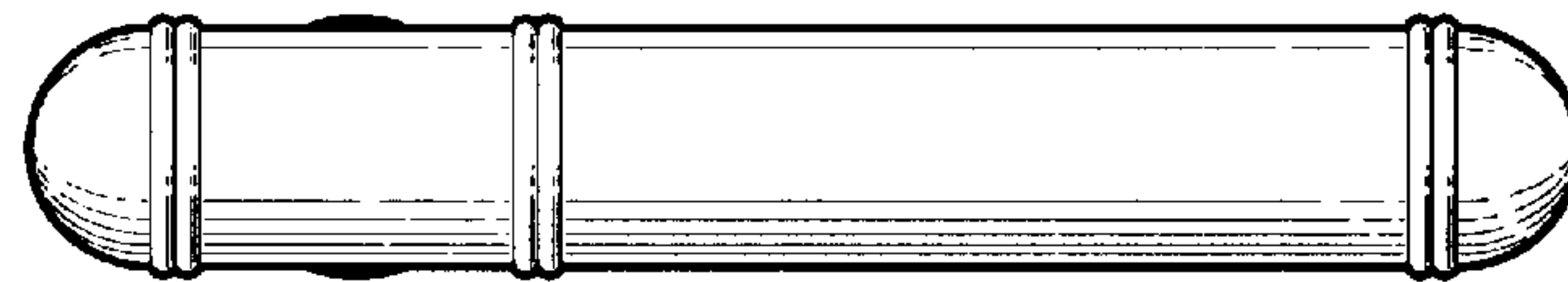


FIG. 4

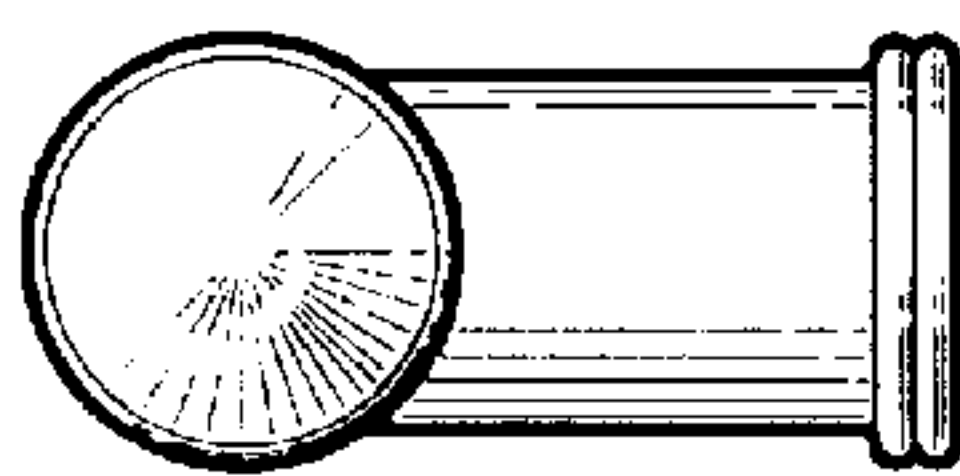


FIG. 5

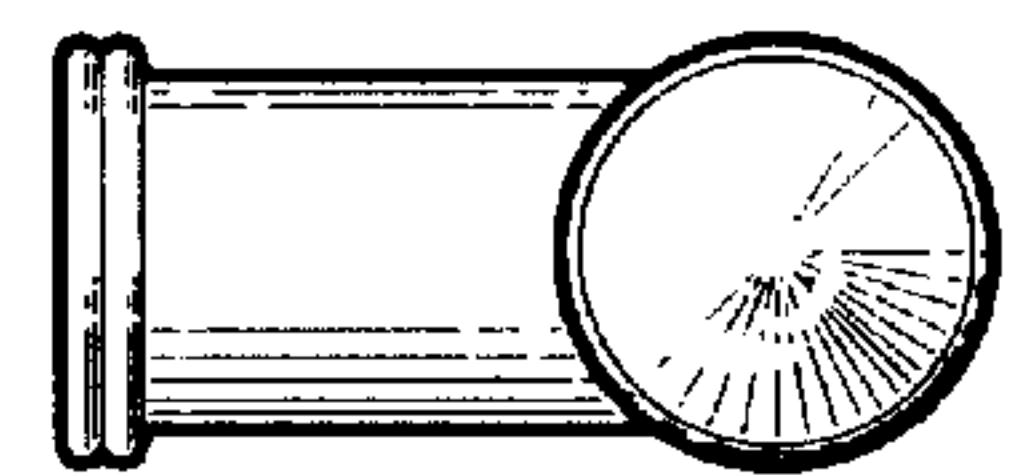


FIG. 6

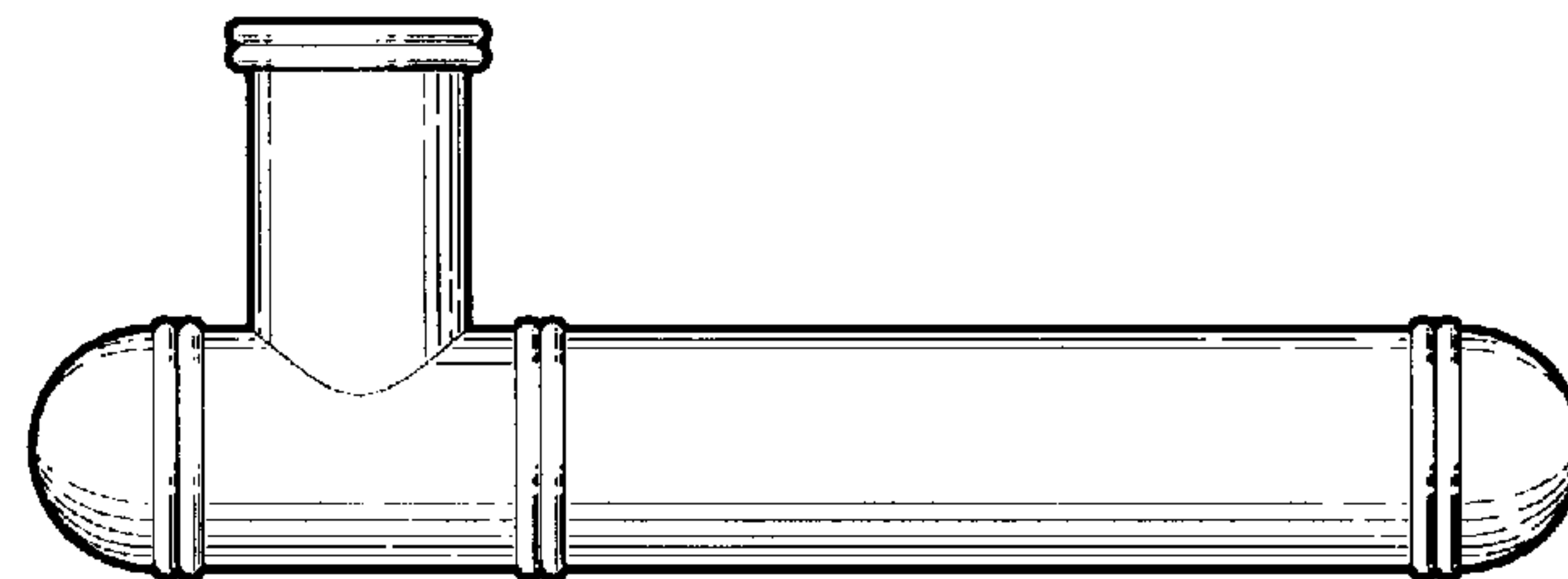


FIG. 7