



US00D438774S

(12) **United States Design Patent**
Huang et al.

(10) **Patent No.:** **US D438,774 S**

(45) **Date of Patent:** **** Mar. 13, 2001**

(54) **SCREWDRIVER BIT**

(76) Inventors: **Jung-Sheng Huang**, F.1, No.27, Lane 35, Chia-Ho Rd., Ta-Chia Chen, Taichung Hsien; **Yi-Ming Tung**, No. 23, Tsu-Chiang 2nd St., Wuchi Town, Taichung Hsien, both of (TW)

(**) Term: **14 Years**

(21) Appl. No.: **29/124,194**

(22) Filed: **Jun. 1, 2000**

(51) **LOC (7) Cl.** **08-04**

(52) **U.S. Cl.** **D8/86**

(58) **Field of Search** D8/82, 83, 84, D8/86, 87, 70, 14; 81/436, 441, 438, 451

(56) **References Cited**

U.S. PATENT DOCUMENTS

D. 405,672	*	2/1999	Wirths	D8/86
2,833,548	*	5/1958	Clark	279/102
3,753,454	*	8/1973	Totsu	81/448
3,985,170	*	10/1976	Iskra	D8/86
4,026,338	*	5/1977	Goebel	81/441

4,314,489 * 2/1982 Arcangeli 81/451

4,434,687 * 3/1984 Vickio 81/441

4,590,825 * 5/1986 Vaughn 81/451

* cited by examiner

Primary Examiner—Philip S. Hyder

(74) *Attorney, Agent, or Firm*—Rosenberg, Klein & Lee

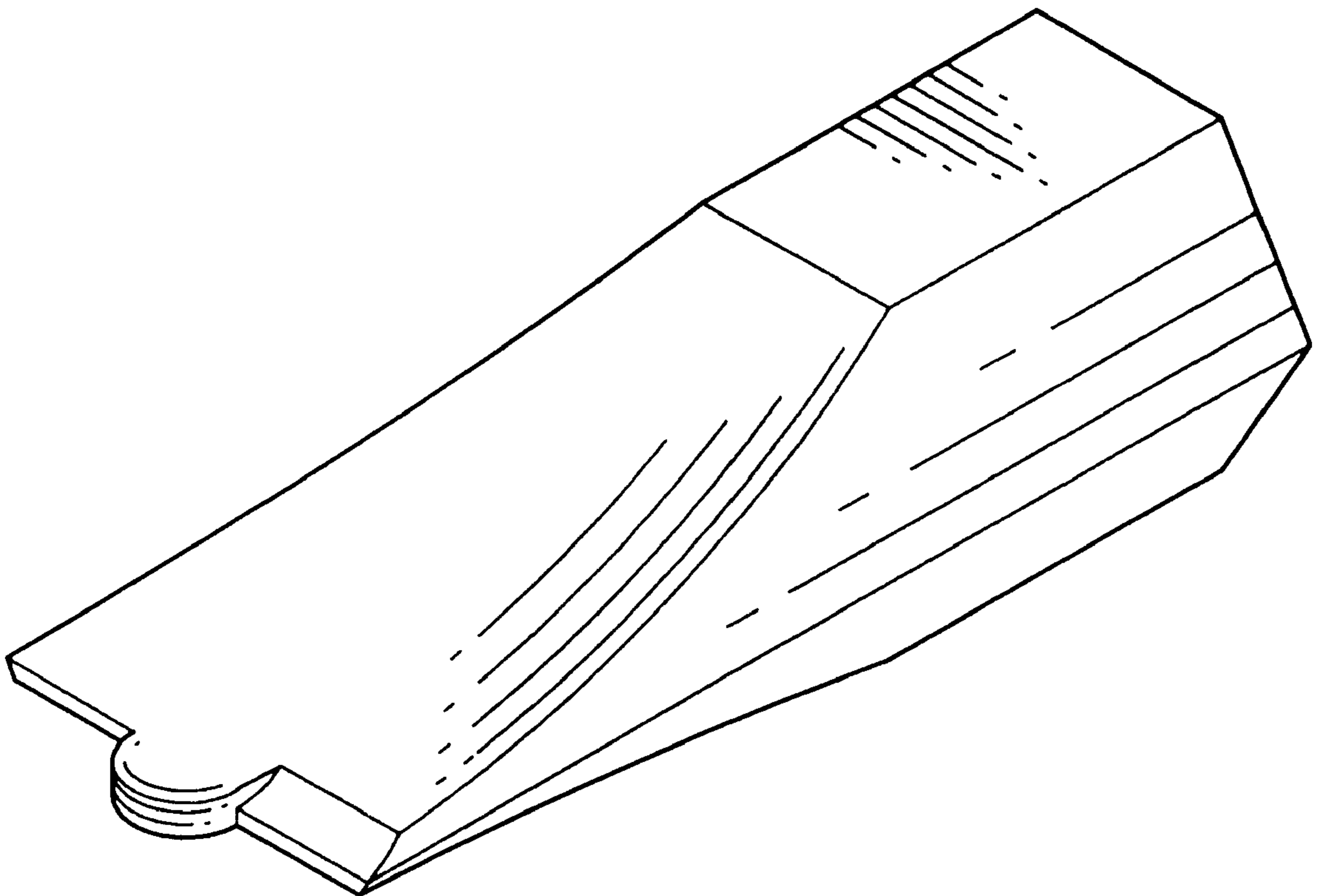
(57) **CLAIM**

The ornamental design for a screwdriver bit, as shown and described.

DESCRIPTION

FIG. 1 is a front-right-top perspective view of a screwdriver bit, showing my new design;
FIG. 2 is a front elevational view thereof;
FIG. 3 is a rear elevational view thereof;
FIG. 4 is a left side elevational view thereof, the right side view being a mirror image thereof;
FIG. 5 is a top plan view thereof;
FIG. 6 is a bottom plan view thereof; and,
FIG. 7 is a perspective view of the screwdriver bit, wherein the broken line showing of the screwdriver is for illustrative purposes only and forms no part of the claimed design.

1 Claim, 5 Drawing Sheets



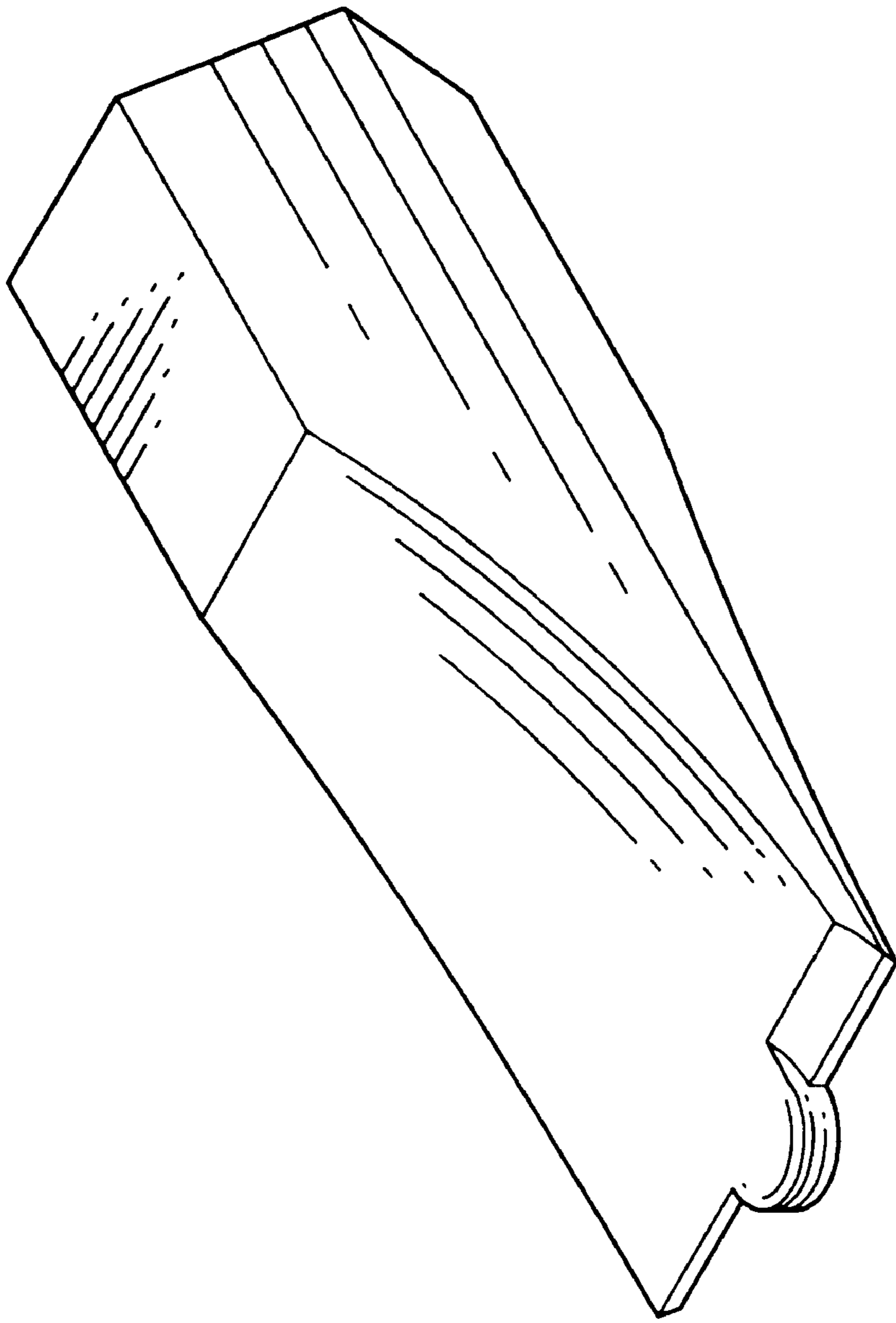


FIG. 1

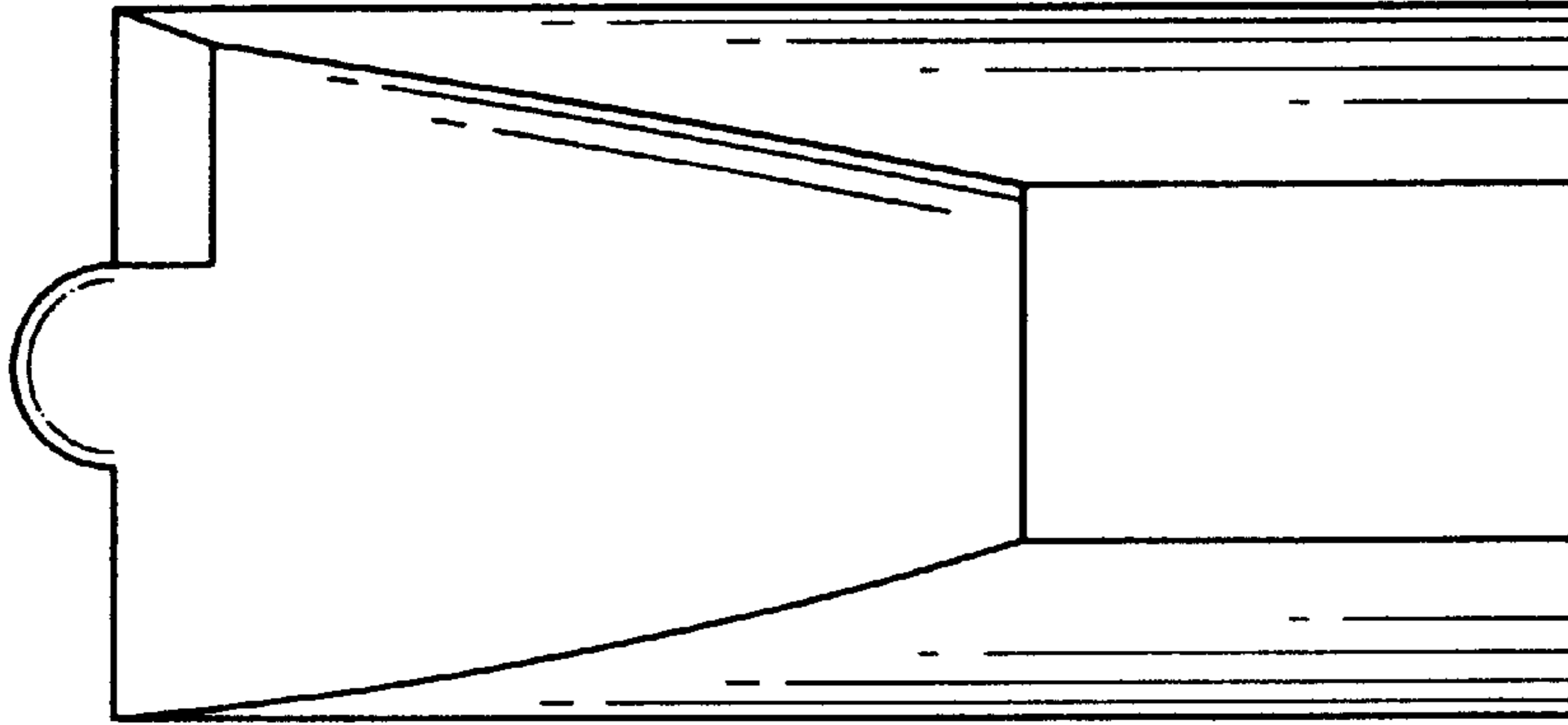


FIG. 3

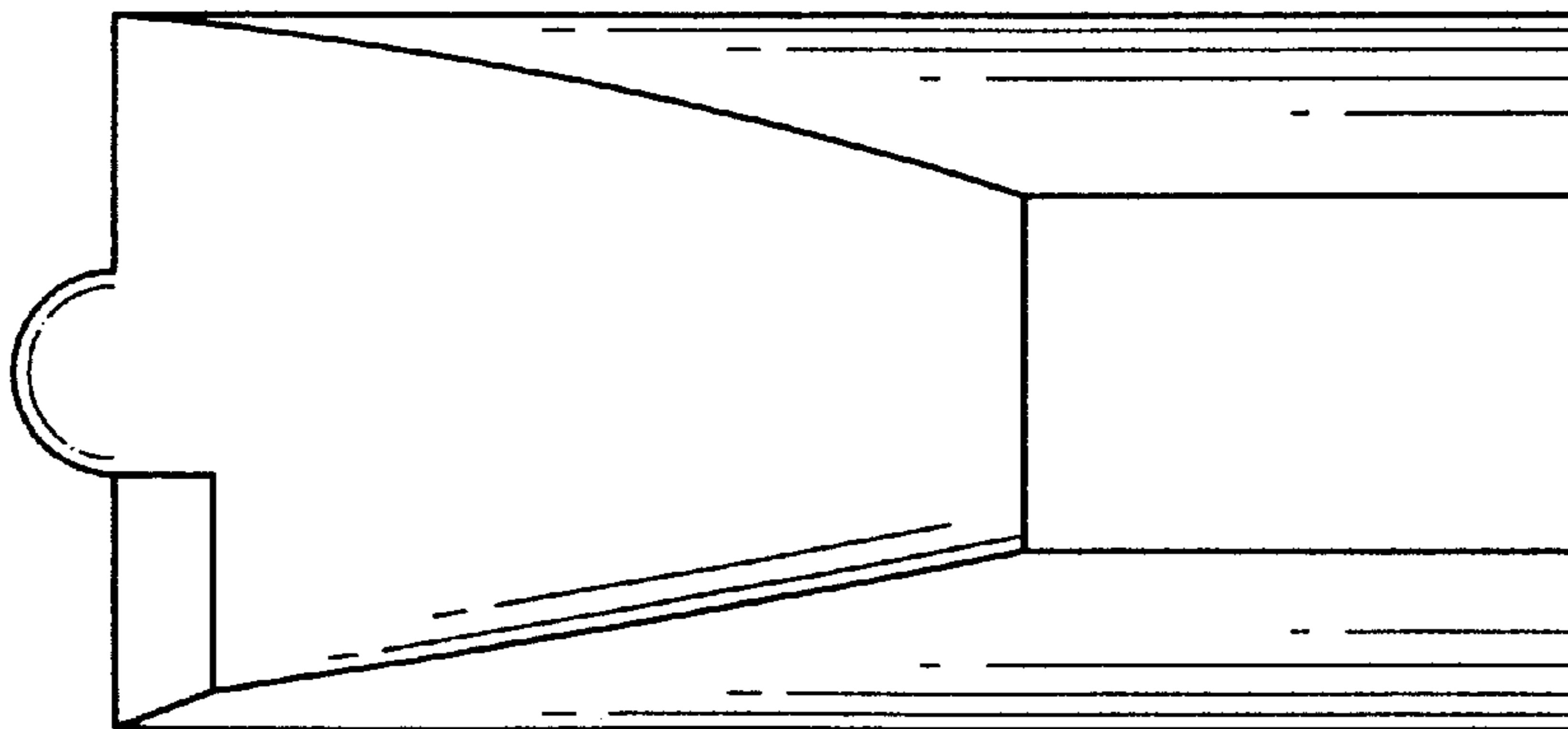


FIG. 2

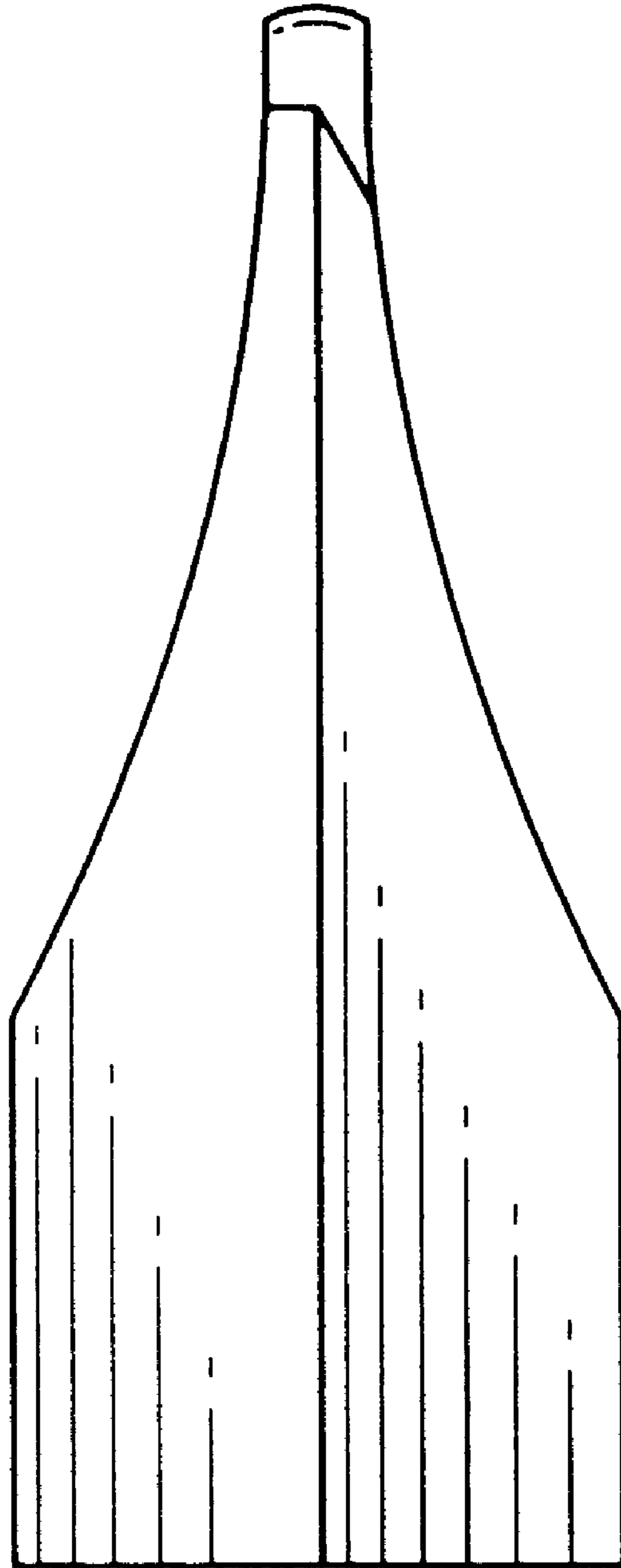


FIG. 4

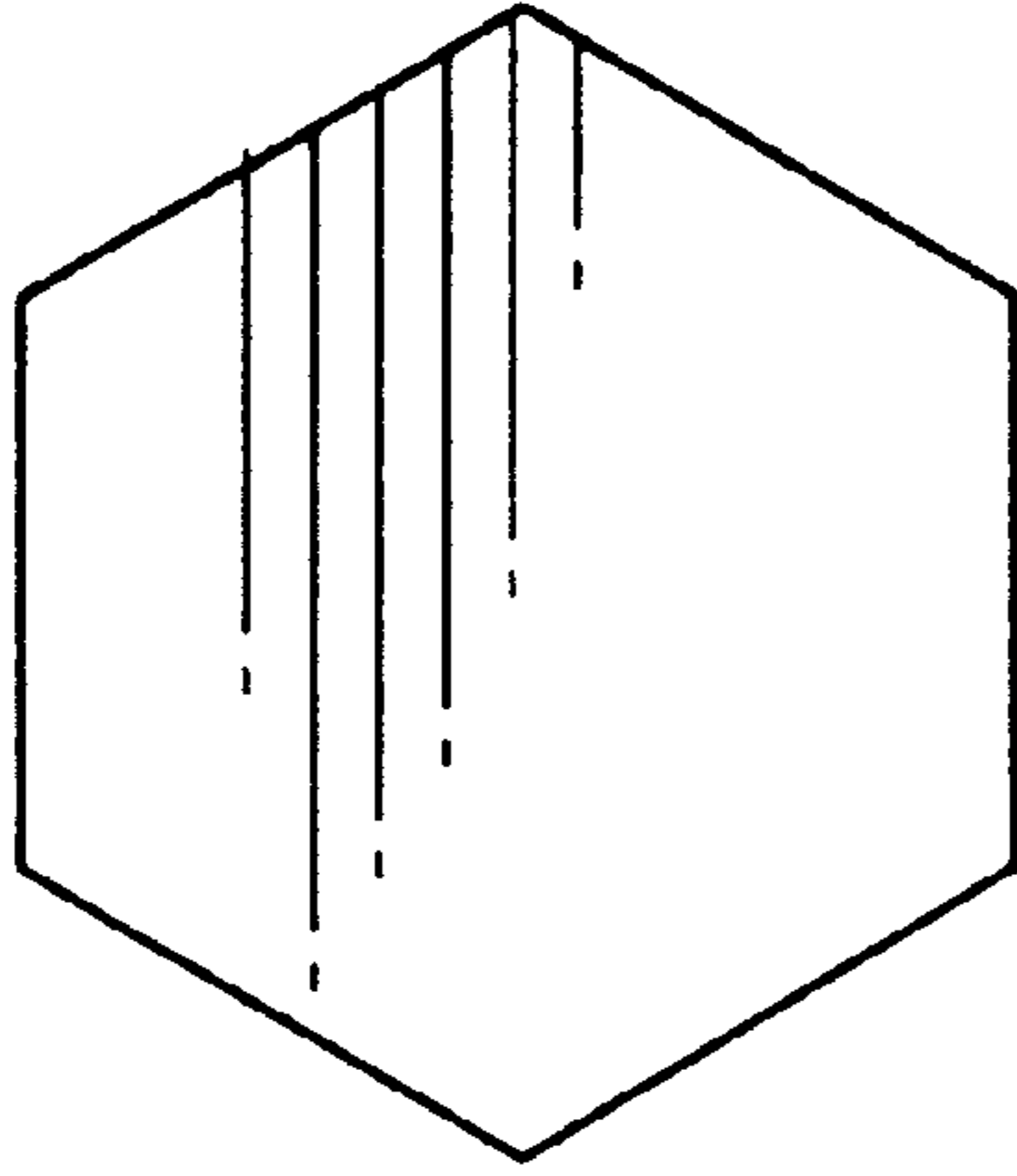


FIG. 6

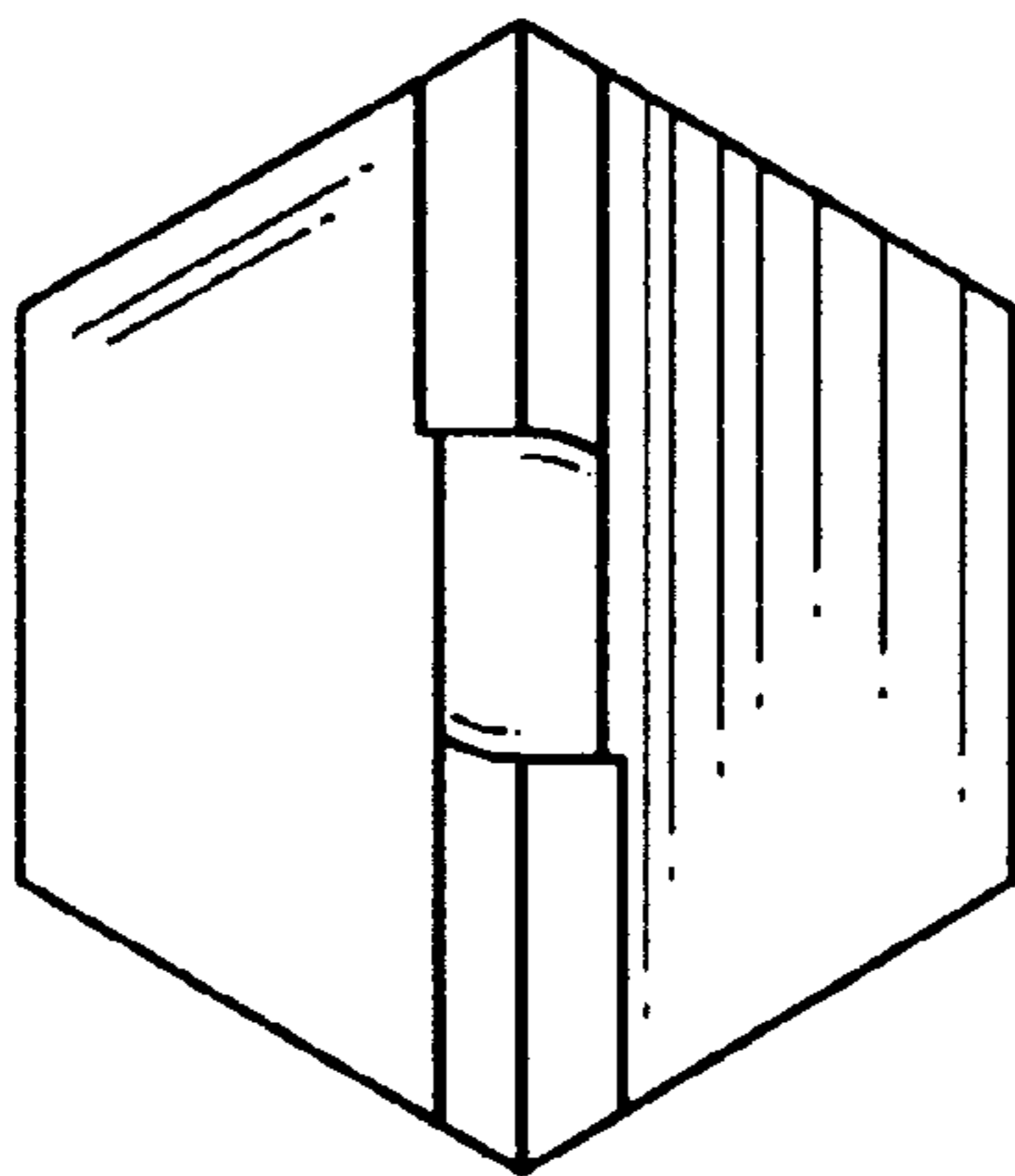


FIG. 5

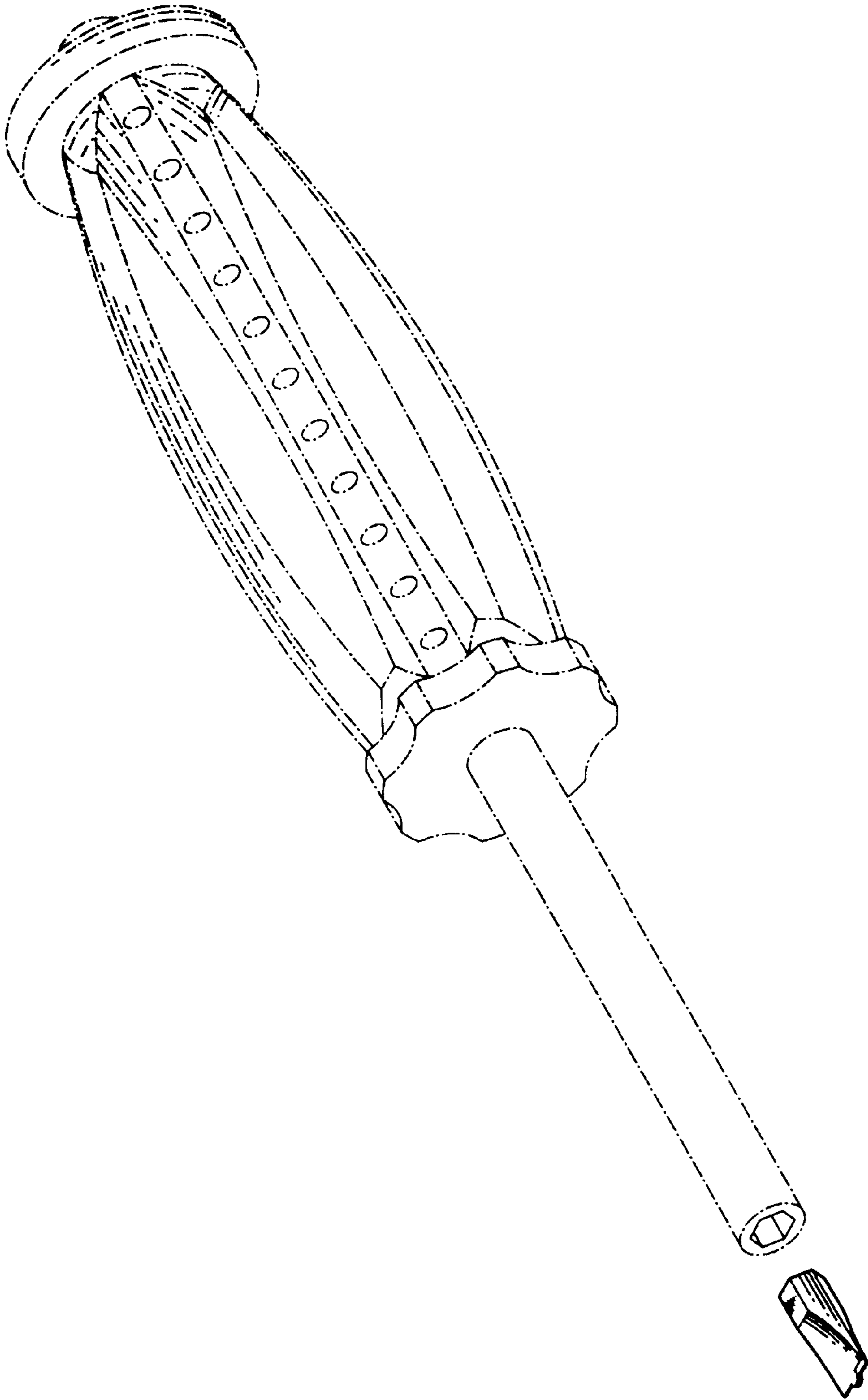


FIG. 7