



US00D438771S

(12) **United States Design Patent**
Hutchins

(10) **Patent No.:** **US D438,771 S**

(45) **Date of Patent:** **** Mar. 13, 2001**

(54) **ORBITAL SANDING OR POLISHING TOOL**

(75) **Inventor:** **Donald H. Hutchins**, Sierra Madre, CA (US)

(73) **Assignee:** **Hutchins Manufacturing Company**, Pasadena, CA (US)

(**) **Term:** **14 Years**

(21) **Appl. No.:** **29/108,164**

(22) **Filed:** **Jul. 20, 1999**

(51) **LOC (7) Cl.** **08-01**

(52) **U.S. Cl.** **D8/62**

(58) **Field of Search** D8/61, 62, 67, D8/69, 70, DIG. 7; 451/48, 103, 108, 109, 111, 119, 162, 177, 259, 270, 344, 351-353, 357-359, 456; 5/293, 295

(56) **References Cited**

U.S. PATENT DOCUMENTS

D. 256,881	9/1980	Hutchins	D8/62
D. 269,845	* 7/1983	Hutchins	D8/62
D. 334,126	* 3/1993	Huber et al.	D8/62
D. 347,561	* 6/1994	Huber et al.	D8/62
D. 353,757	* 12/1994	Izumisawa	D8/62
D. 353,984	* 1/1995	Izumisawa	D8/62
4,145,848	3/1979	Hutchins	51/170 T

4,592,170	6/1986	Hutchins	51/170 MT
4,660,329	4/1987	Hutchins	51/170 MT
4,671,019	6/1987	Hutchins	51/170 MT
4,671,020	6/1987	Hutchins	51/170 MT
4,839,995	6/1989	Hutchins	51/170 MT
4,986,036	1/1991	Hutchins	51/170 R
5,392,568	* 2/1995	Howard, Jr. et al.	451/357
5,445,558	8/1995	Hutchins	451/344
5,597,348	1/1997	Hutchins	451/450
5,679,066	* 10/1997	Butz et al.	451/357

* cited by examiner

Primary Examiner—Martie K. Holtje

(74) *Attorney, Agent, or Firm*—Christie Parker & Hale, LLP

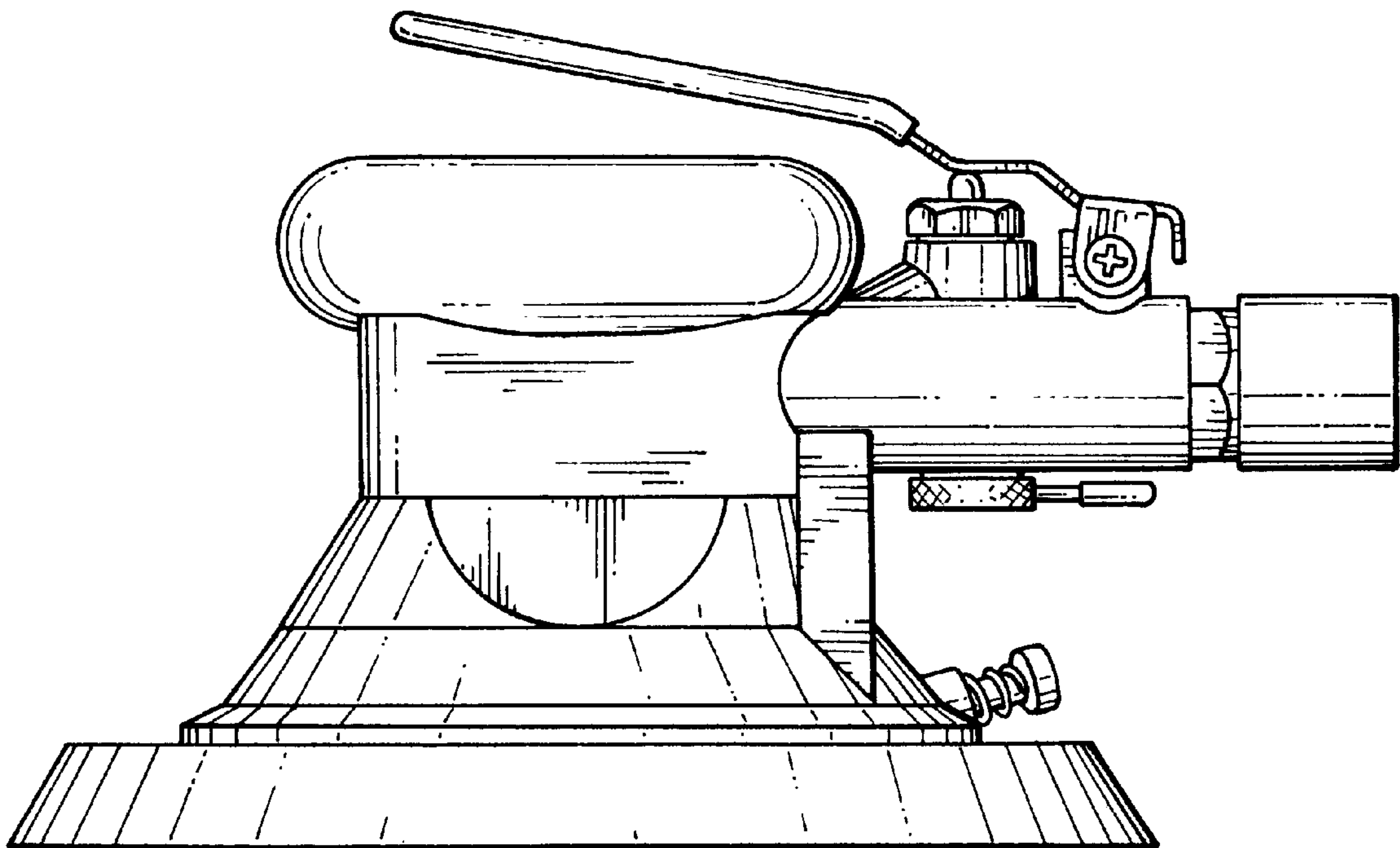
(57) **CLAIM**

The ornamental design of an orbital sanding or polishing tool, as shown and described.

DESCRIPTION

FIG. 1 is a right side elevational view of an orbital sanding or polishing tool showing my design; FIG. 2 is a rear elevational view thereof; FIG. 3 is a left side elevational view thereof; FIG. 4 is a front elevational view thereof; FIG. 5 is a top plan view thereof; and, FIG. 6 is a bottom plan view thereof.

1 Claim, 4 Drawing Sheets



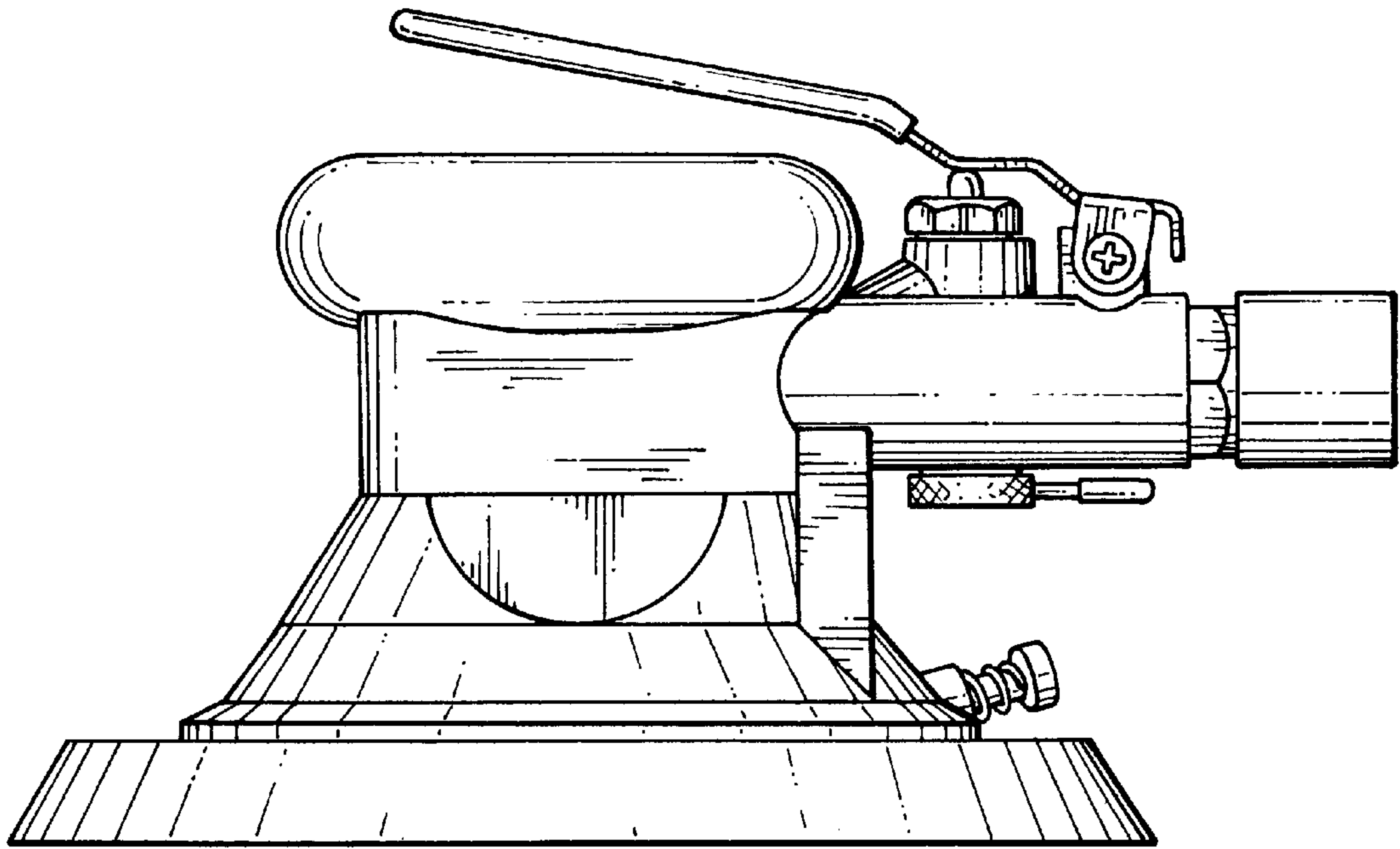


FIG. 1

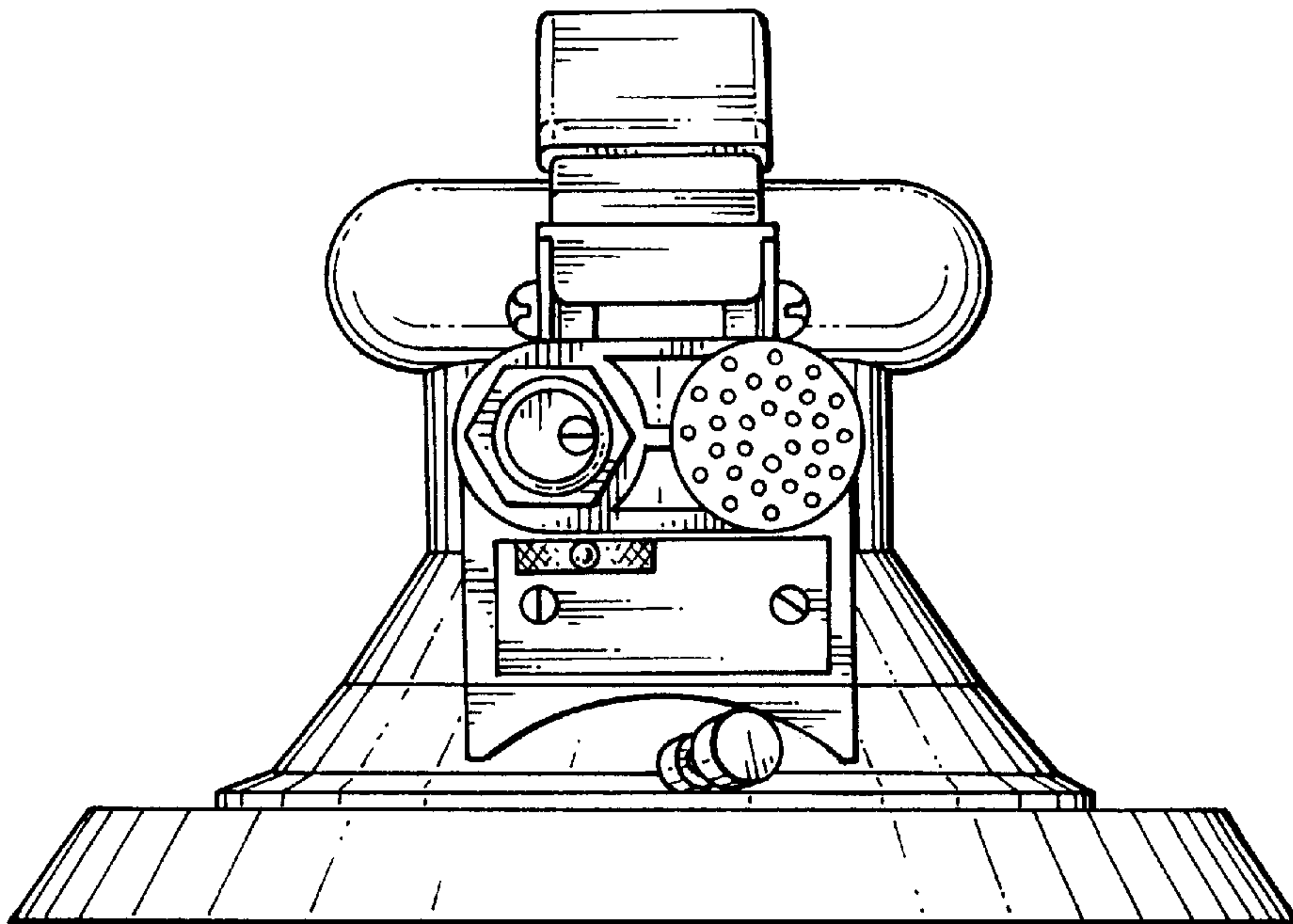


FIG. 2

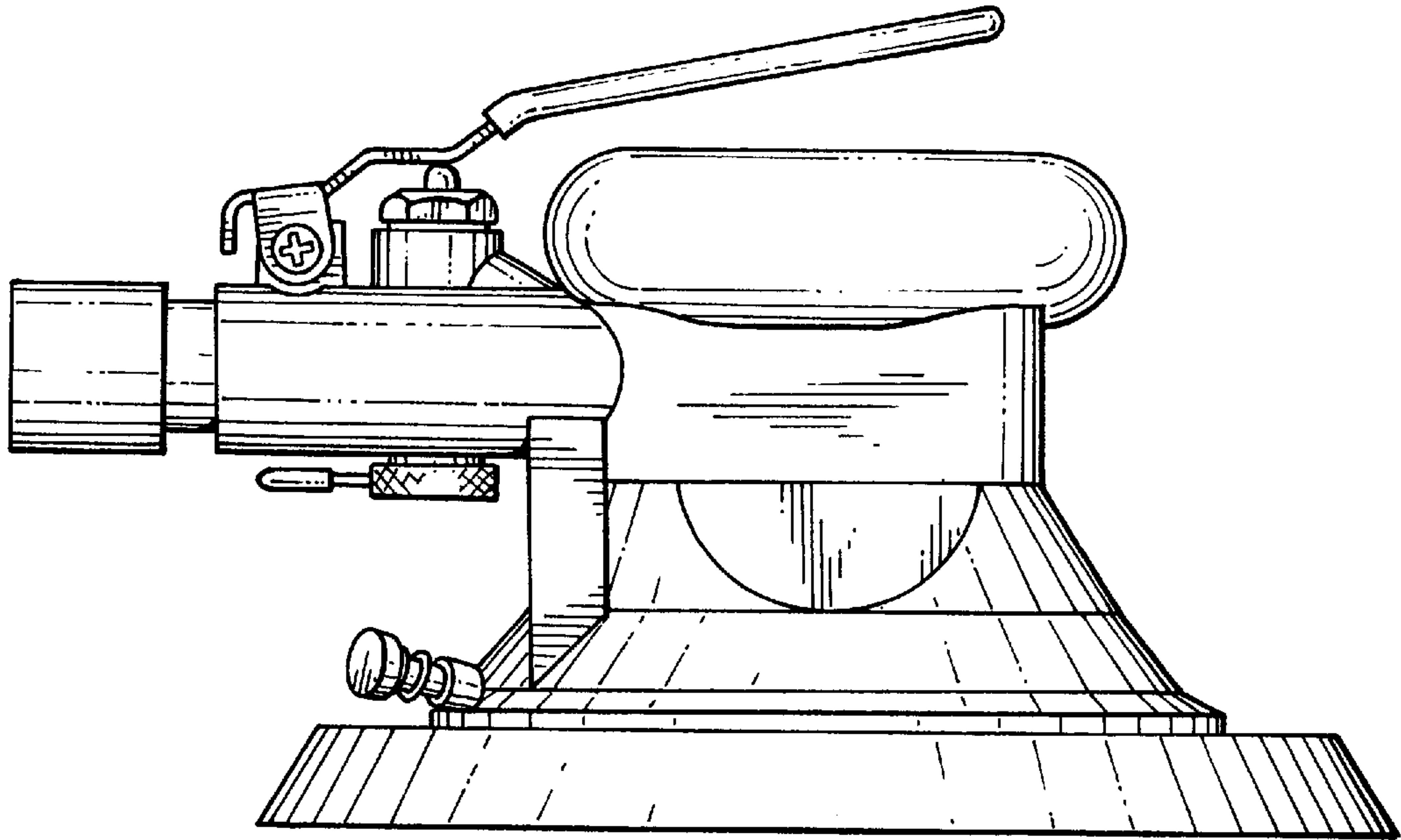


FIG. 3

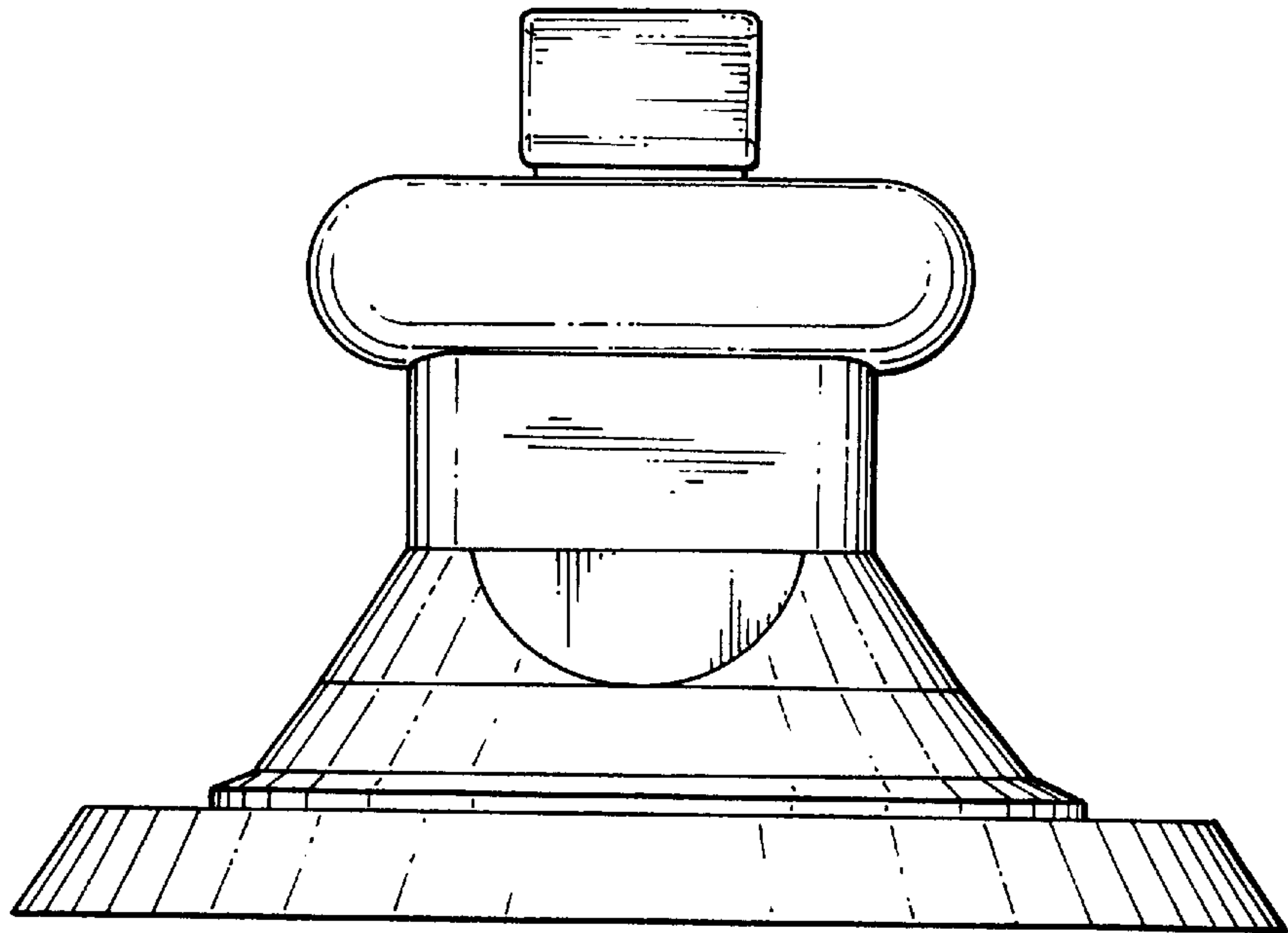


FIG. 4

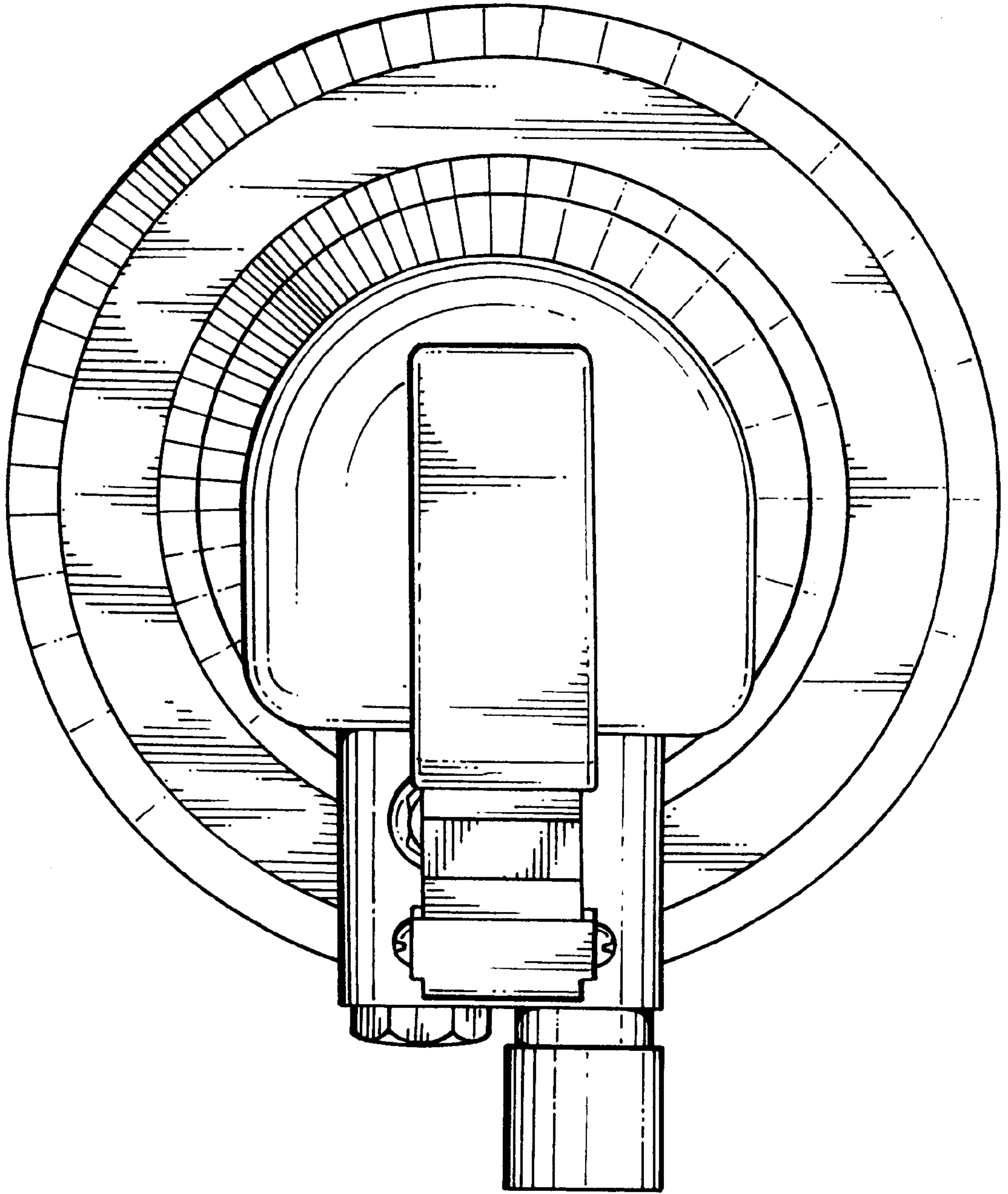


FIG. 5

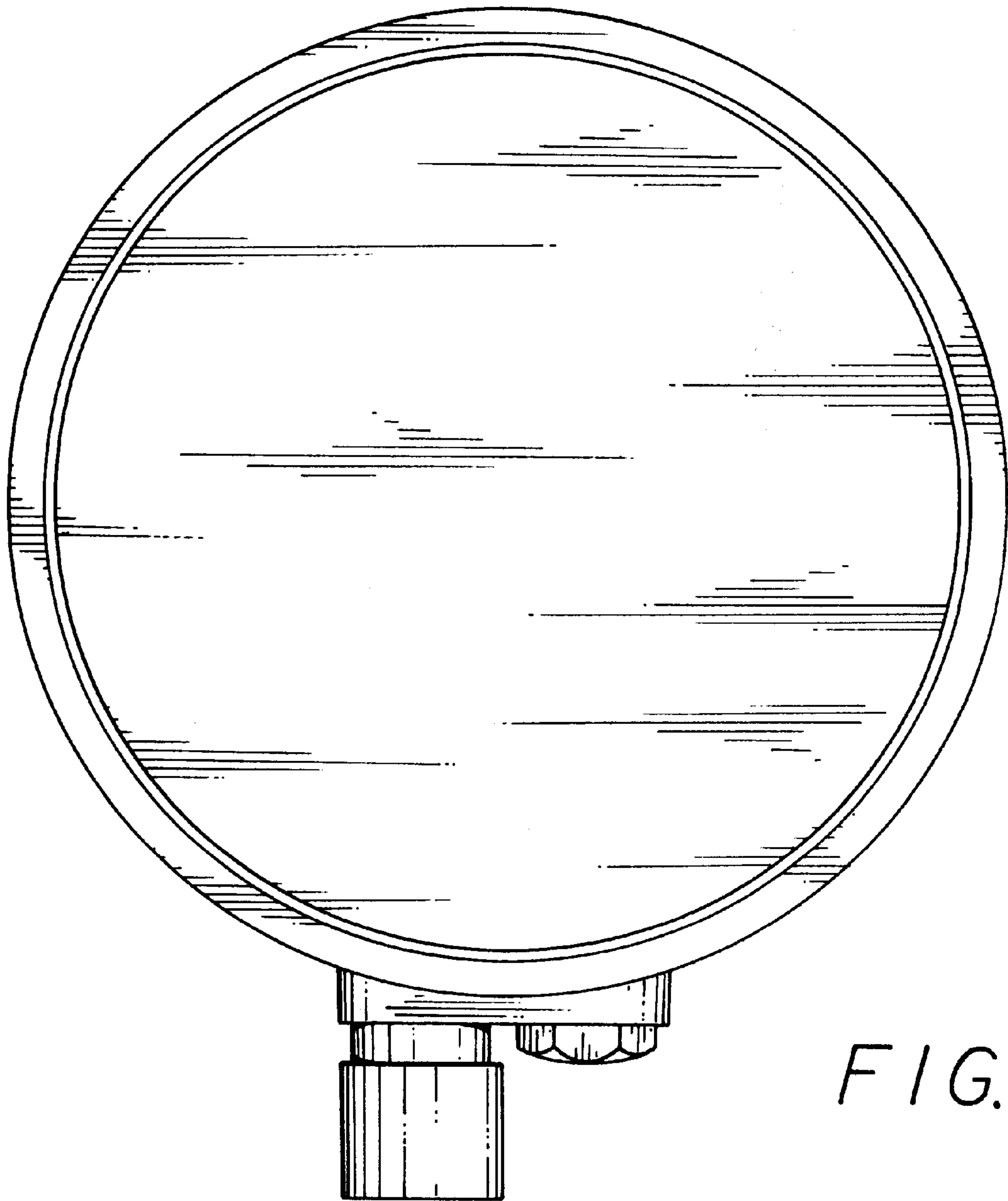


FIG. 6