



US00D438770S

(12) **United States Design Patent**
Wagner

(10) **Patent No.:** **US D438,770 S**

(45) **Date of Patent:** **** Mar. 13, 2001**

(54) **DRYWALL TAPE MUD APPLICATOR**

5,736,001 * 4/1998 Samuelson 156/575

(76) Inventor: **Michael S. Wagner**, 6301 Michigan
Blvd., Anchorage, AK (US) 99516

* cited by examiner

(**) Term: **14 Years**

Primary Examiner—Philip S. Hyder

(74) *Attorney, Agent, or Firm*—Michael J. Tavella

(21) Appl. No.: **29/125,190**

(57) **CLAIM**

(22) Filed: **Jun. 20, 2000**

The ornamental design for a drywall tape mud applicator, as shown and described.

(51) **LOC (7) Cl.** **08-05**

DESCRIPTION

(52) **U.S. Cl.** **D8/51; D8/45**

(58) **Field of Search** D8/14, 51, 45,
D8/71; 156/575, 577, 578, 523; D19/67,
69

FIG. 1 is a perspective view of my new design.

FIG. 2 is a perspective view of the design shown installed in a bucket.

FIG. 3 is a left side elevation view thereof.

FIG. 4 is a right side elevation view thereof.

FIG. 5 is a front elevation view thereof.

FIG. 6 is a rear elevation view thereof.

FIG. 7 is top plan view thereof; and,

FIG. 8 is a bottom plan view thereof.

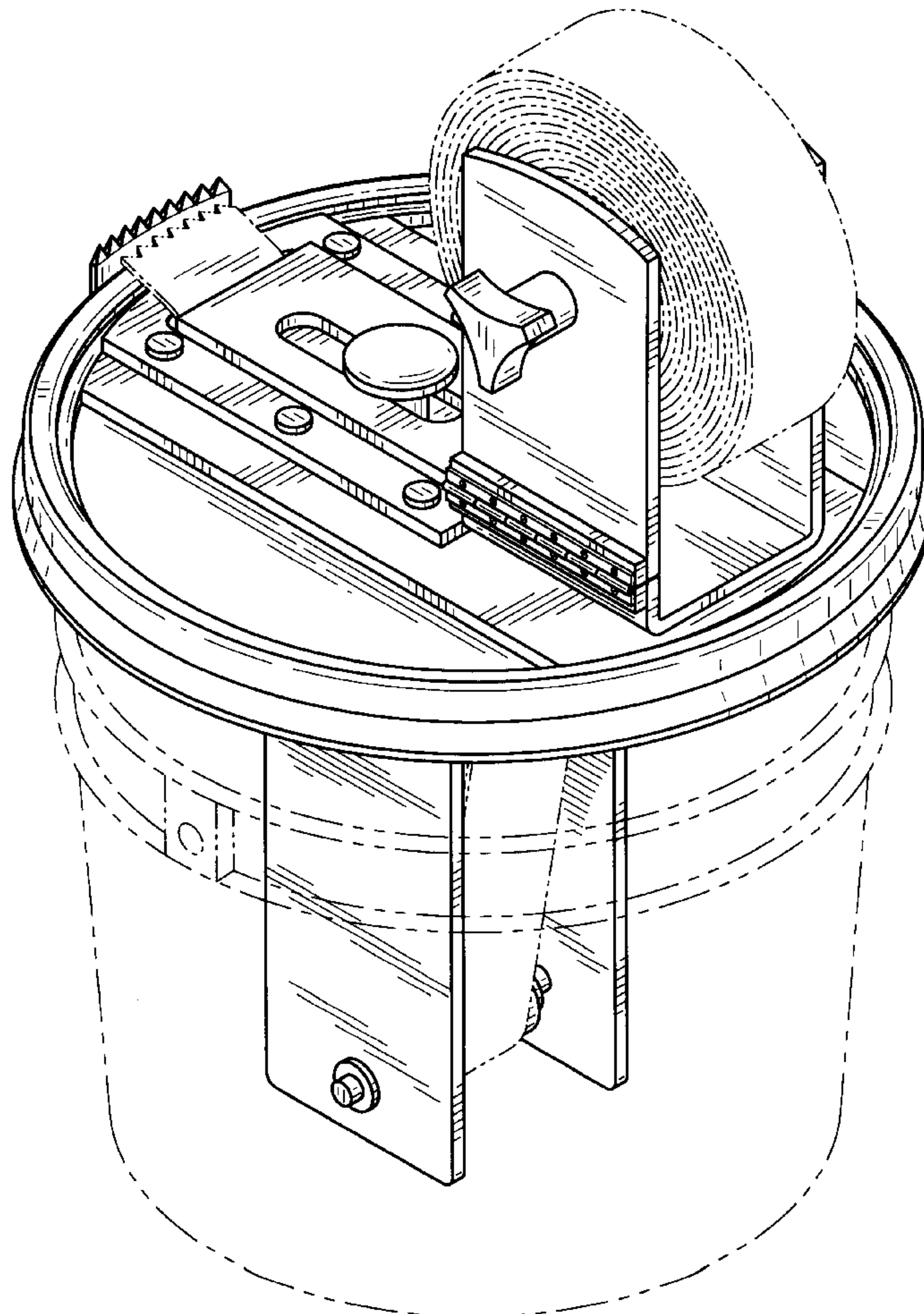
The dashed lines showing the bucket and drywall tape are for illustrative purposes only and form no part of the claimed design.

(56) **References Cited**

U.S. PATENT DOCUMENTS

D. 331,354	*	12/1992	Stern et al.	D8/45
4,090,914	*	5/1978	Hauk et al.	156/523
4,196,028	*	4/1980	Mills et al.	156/523
4,406,730	*	9/1983	Altmix	156/574
4,775,442	*	10/1988	Januska	156/575
4,996,941	*	3/1991	Mills	156/575
5,676,793	*	10/1997	Martin et al.	156/578

1 Claim, 5 Drawing Sheets



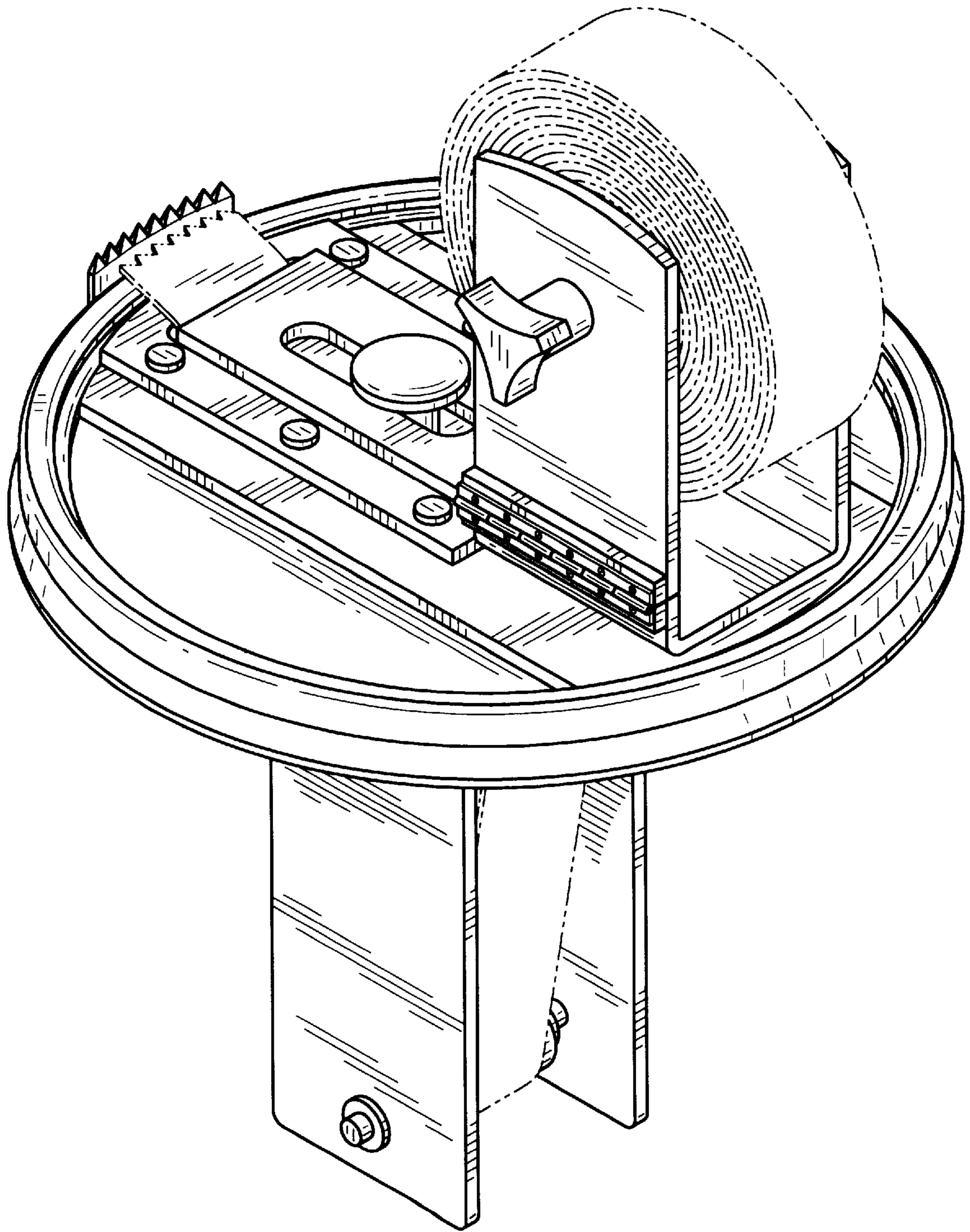


FIG. 1

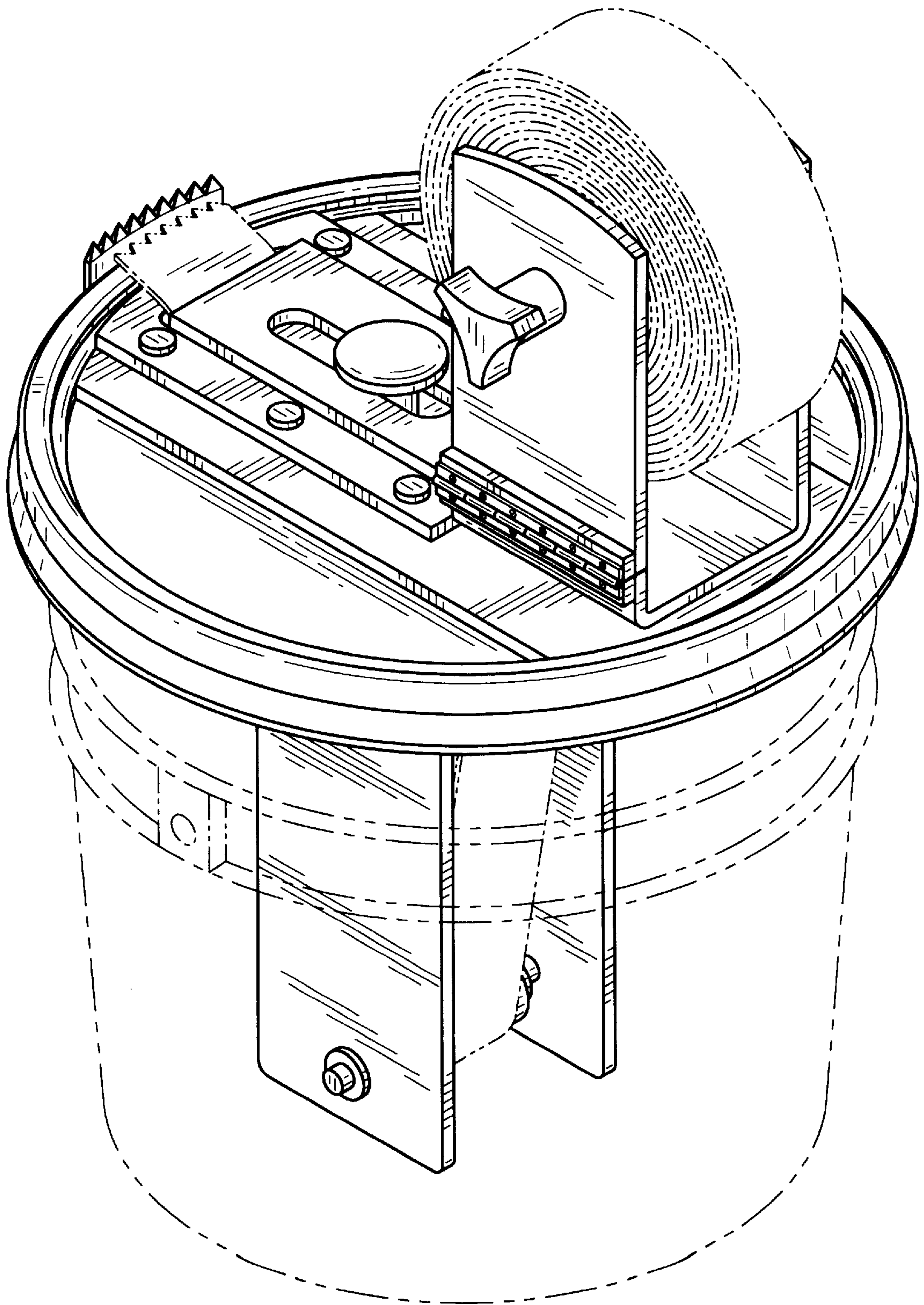


FIG. 2

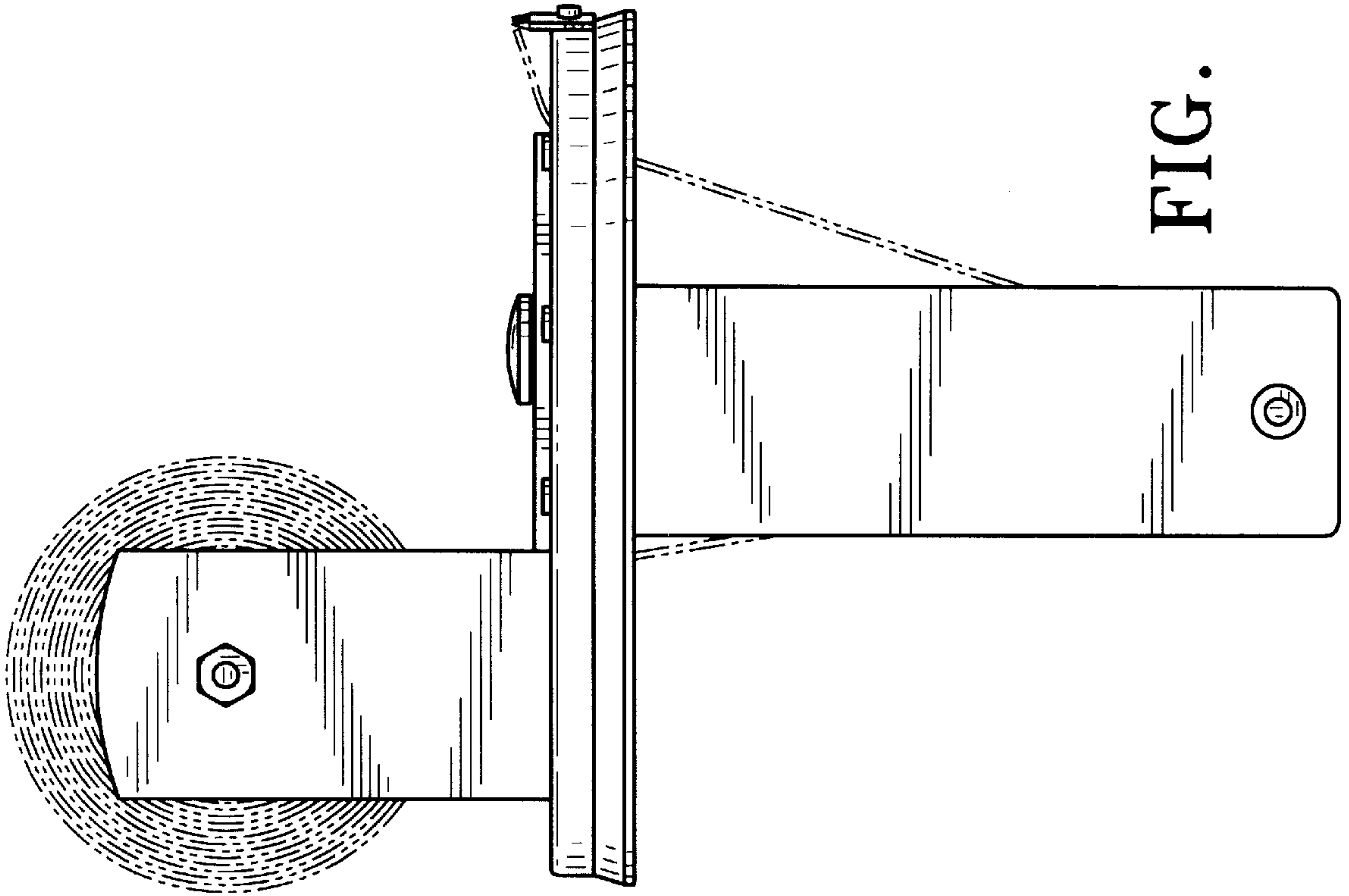


FIG. 4

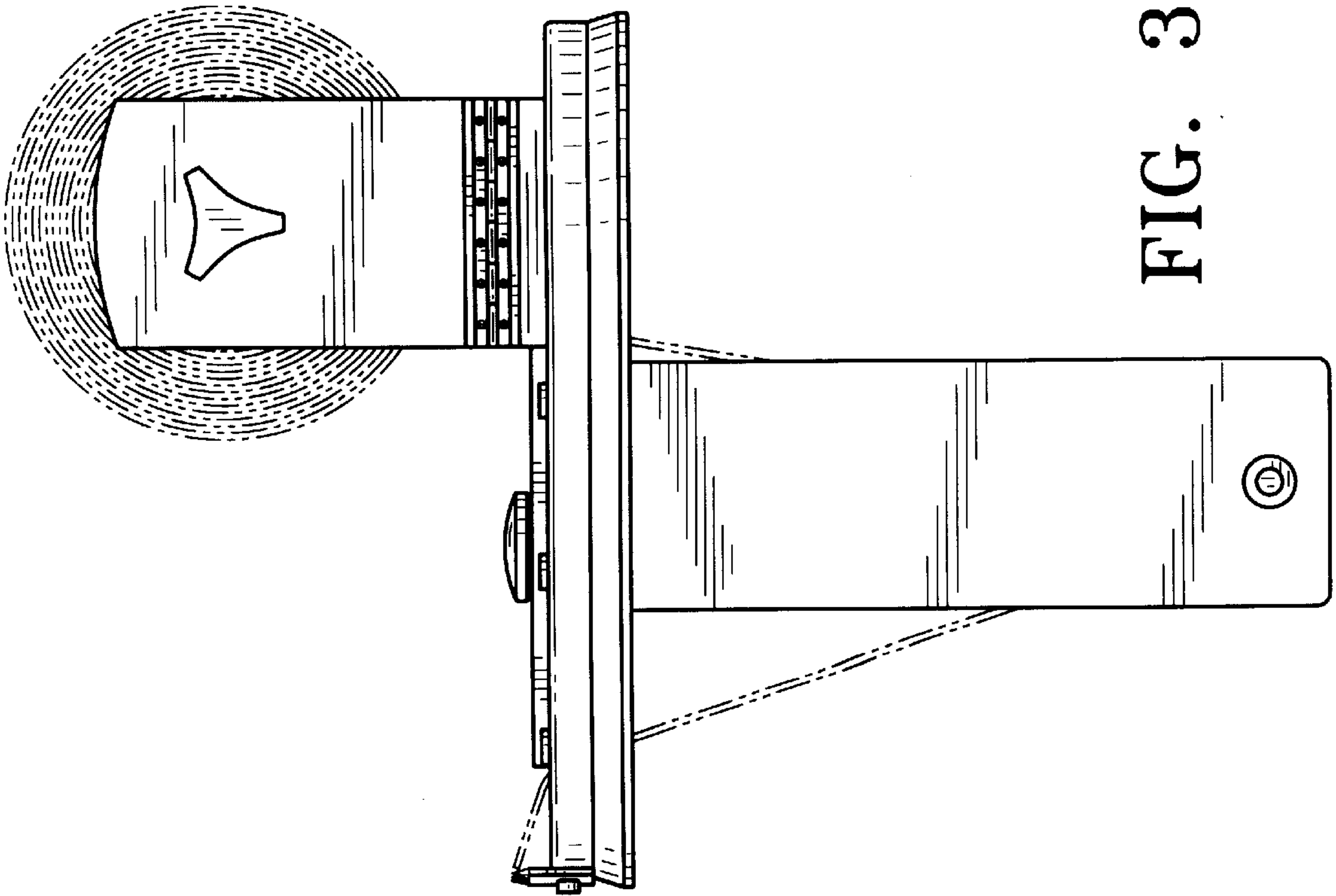


FIG. 3

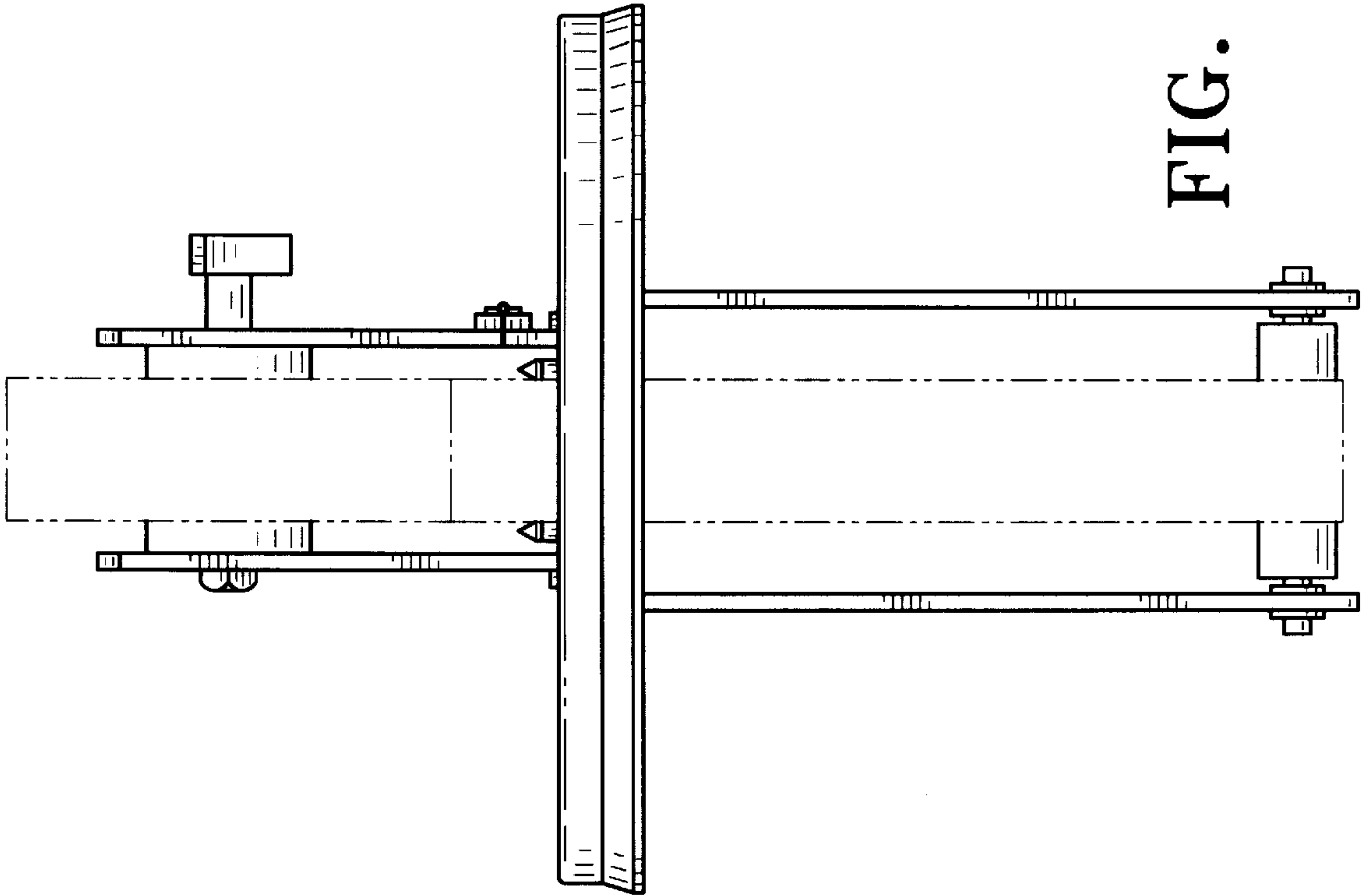


FIG. 6

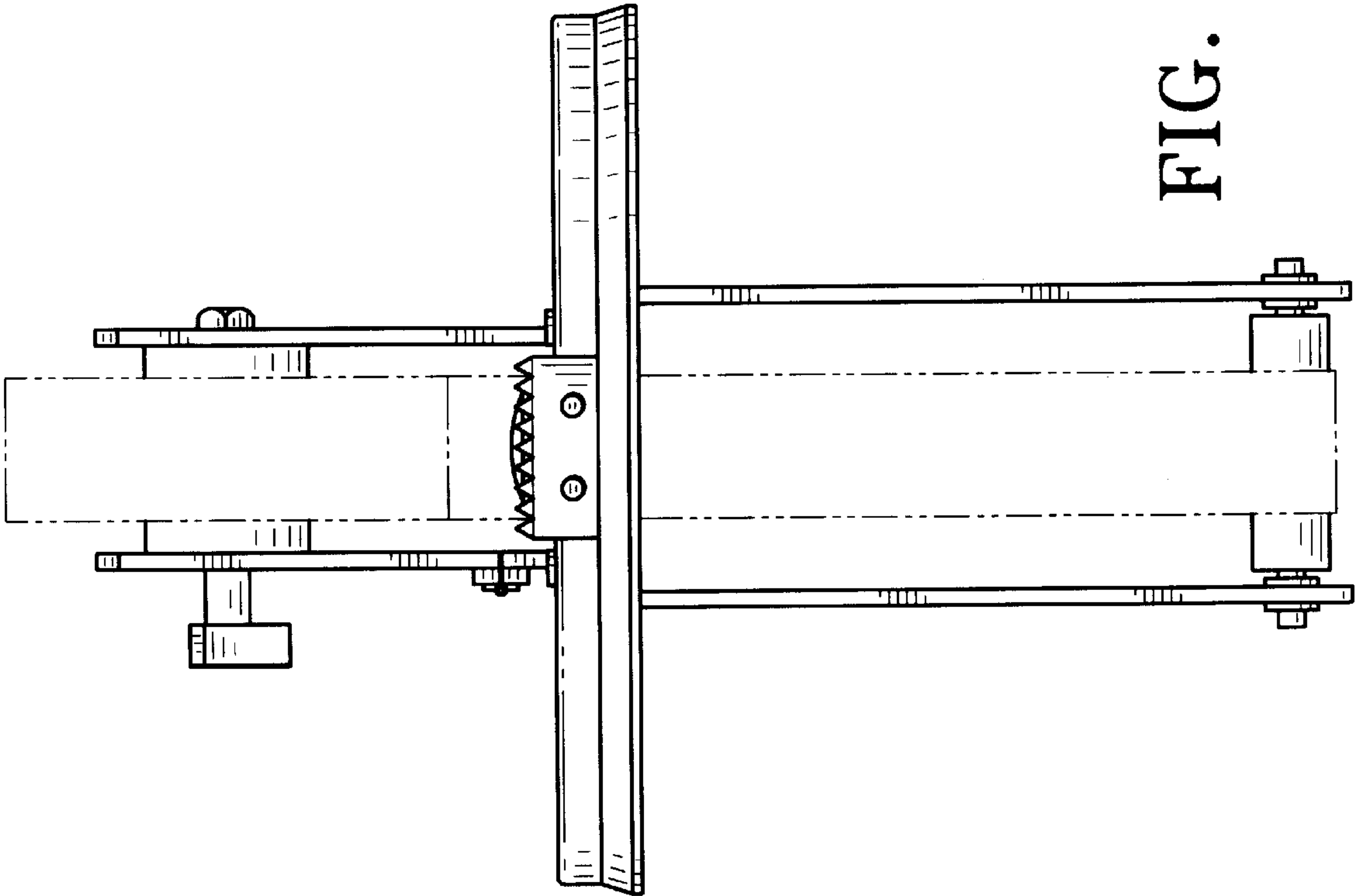


FIG. 5

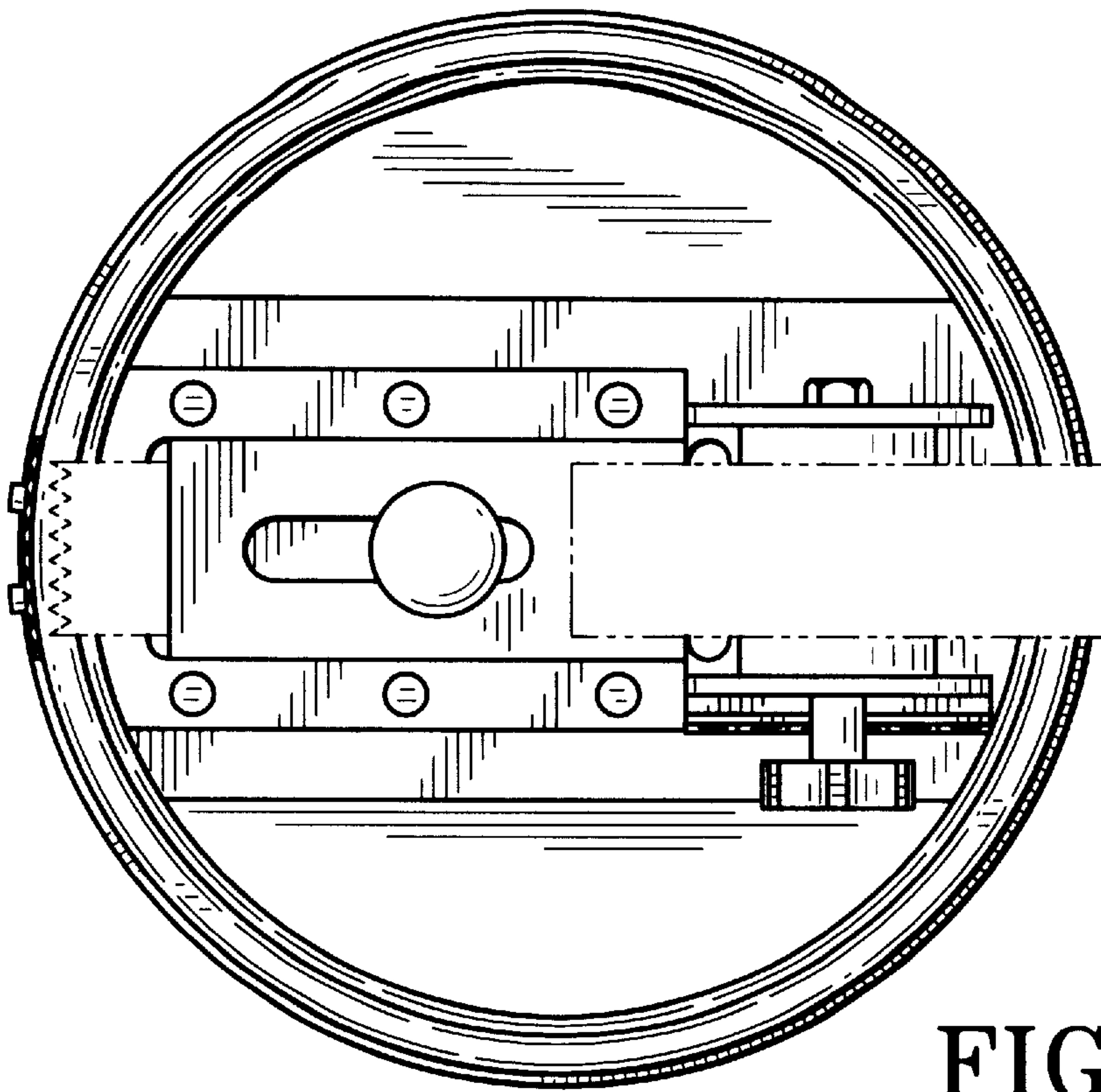


FIG. 7

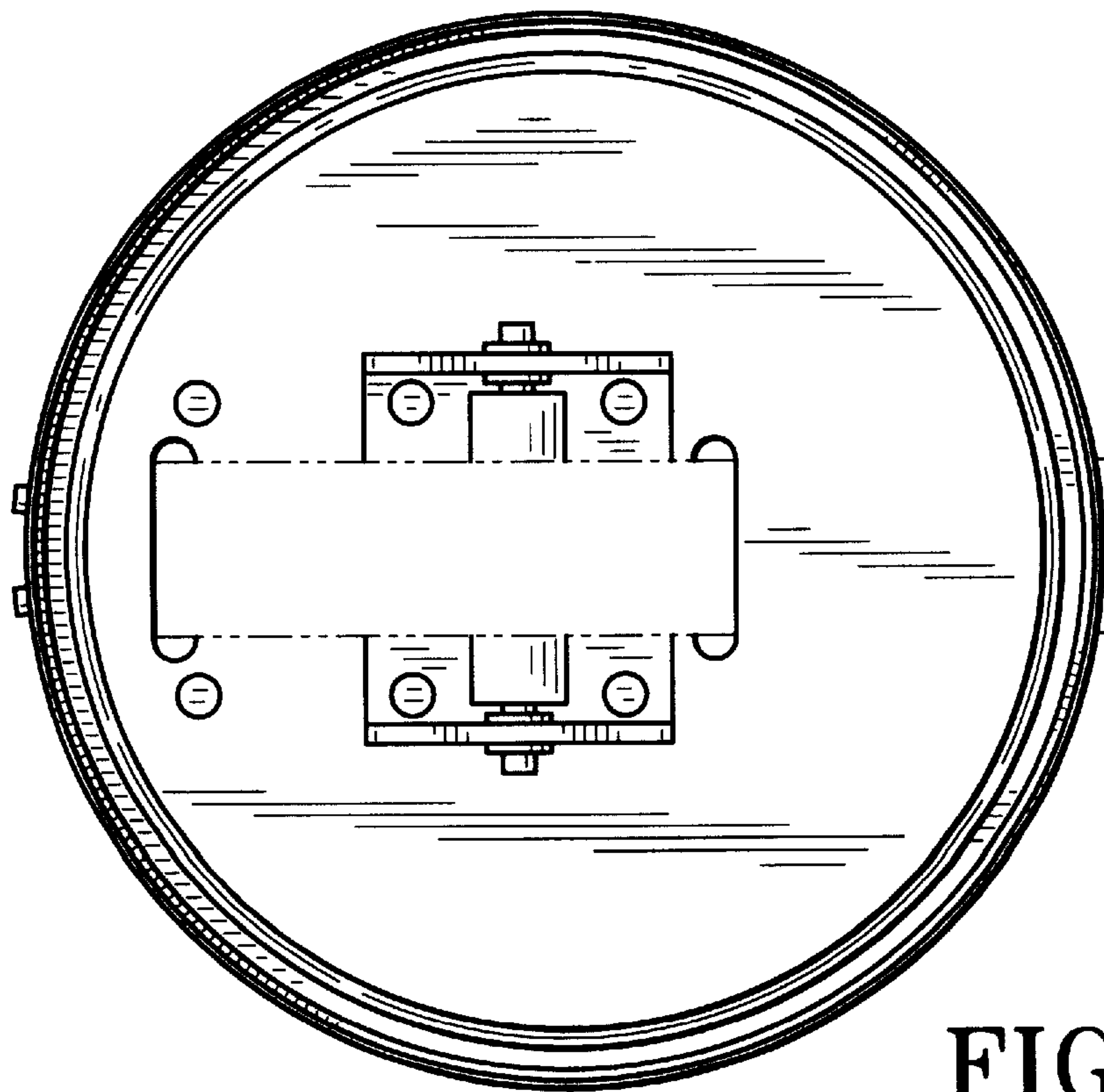


FIG. 8