



US00D438769S

(12) **United States Design Patent**
Déziel

(10) **Patent No.:** **US D438,769 S**

(45) **Date of Patent:** **** Mar. 13, 2001**

(54) **PNEUMATIC HARDWOOD FLOORING
NAILER**

3,313,463 * 4/1967 Boucher 227/88

* cited by examiner

(75) Inventor: **André Déziel**, St-Mathieu du Parc (CA)

Primary Examiner—Antoine Duval Davis

(73) Assignee: **Profilages Cresswell Inc.**, Granby (CA)

(74) *Attorney, Agent, or Firm*—François Martineau

(**) Term: **14 Years**

(57) **CLAIM**

The ornamental design for a pneumatic hardwood flooring nailer, as shown and described.

(21) Appl. No.: **29/116,987**

DESCRIPTION

(22) Filed: **Jan. 14, 2000**

(51) **LOC (7) Cl.** **19-02**

(52) **U.S. Cl.** **D8/49**

(58) **Field of Search** D8/49, 61, 68;
227/8, 88, 108

FIG. 1 is front perspective view from a first lateral side of the pneumatic hardwood flooring nailer in upright condition; FIG. 2 is a rear perspective view from a second lateral side thereof;

FIG. 3 is a front perspective view from the second lateral side thereof;

FIG. 4 is a rear perspective view from the first lateral side thereof;

FIG. 5 is a top plan view thereof; and,

FIG. 6 is a bottom plan view thereof.

(56) **References Cited**

U.S. PATENT DOCUMENTS

D. 195,799 * 7/1963 Hellman D8/49

D. 323,272 * 1/1992 Dion D8/49

3,224,657 * 12/1965 Zike 227/88

1 Claim, 5 Drawing Sheets

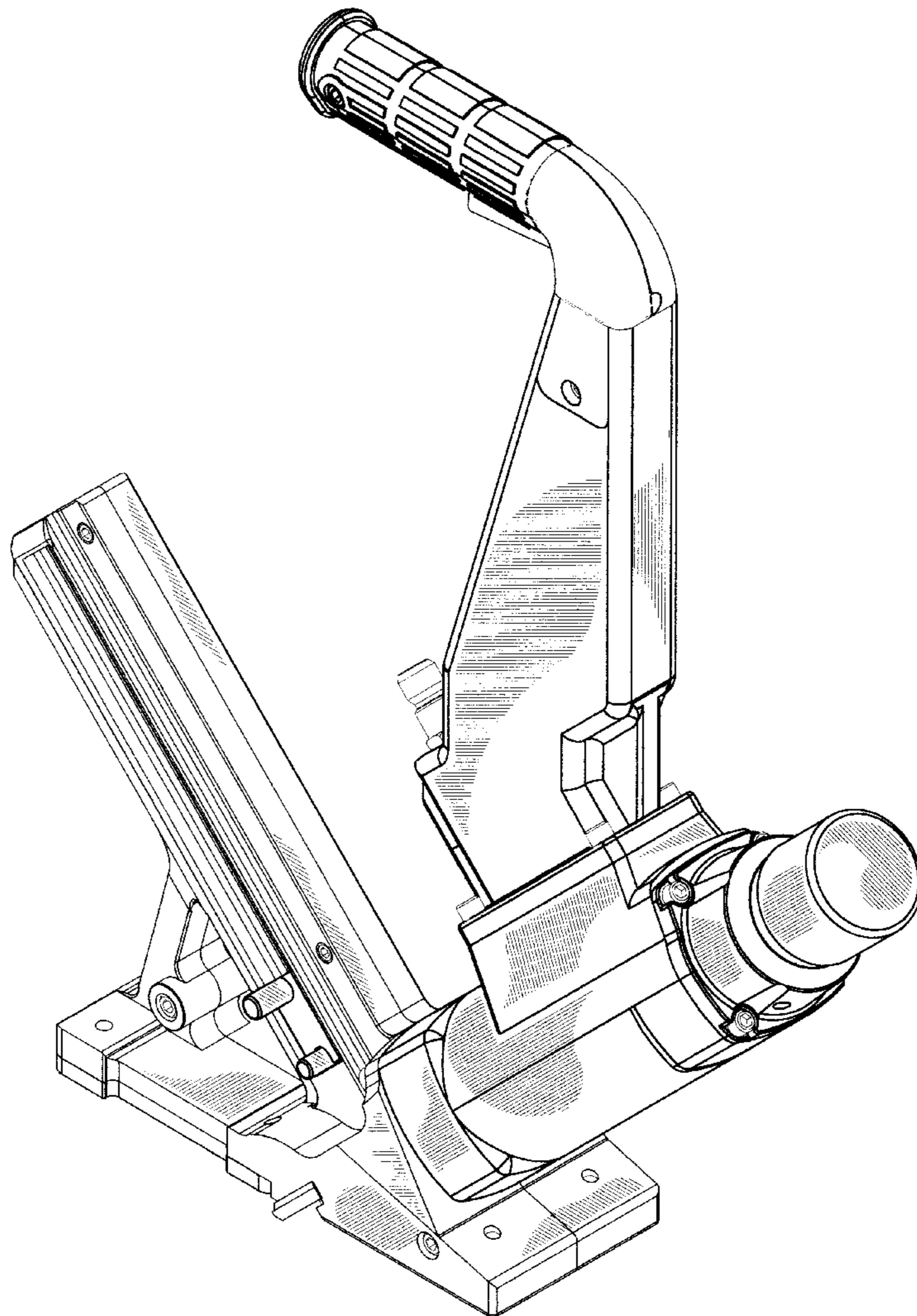


FIG. 1

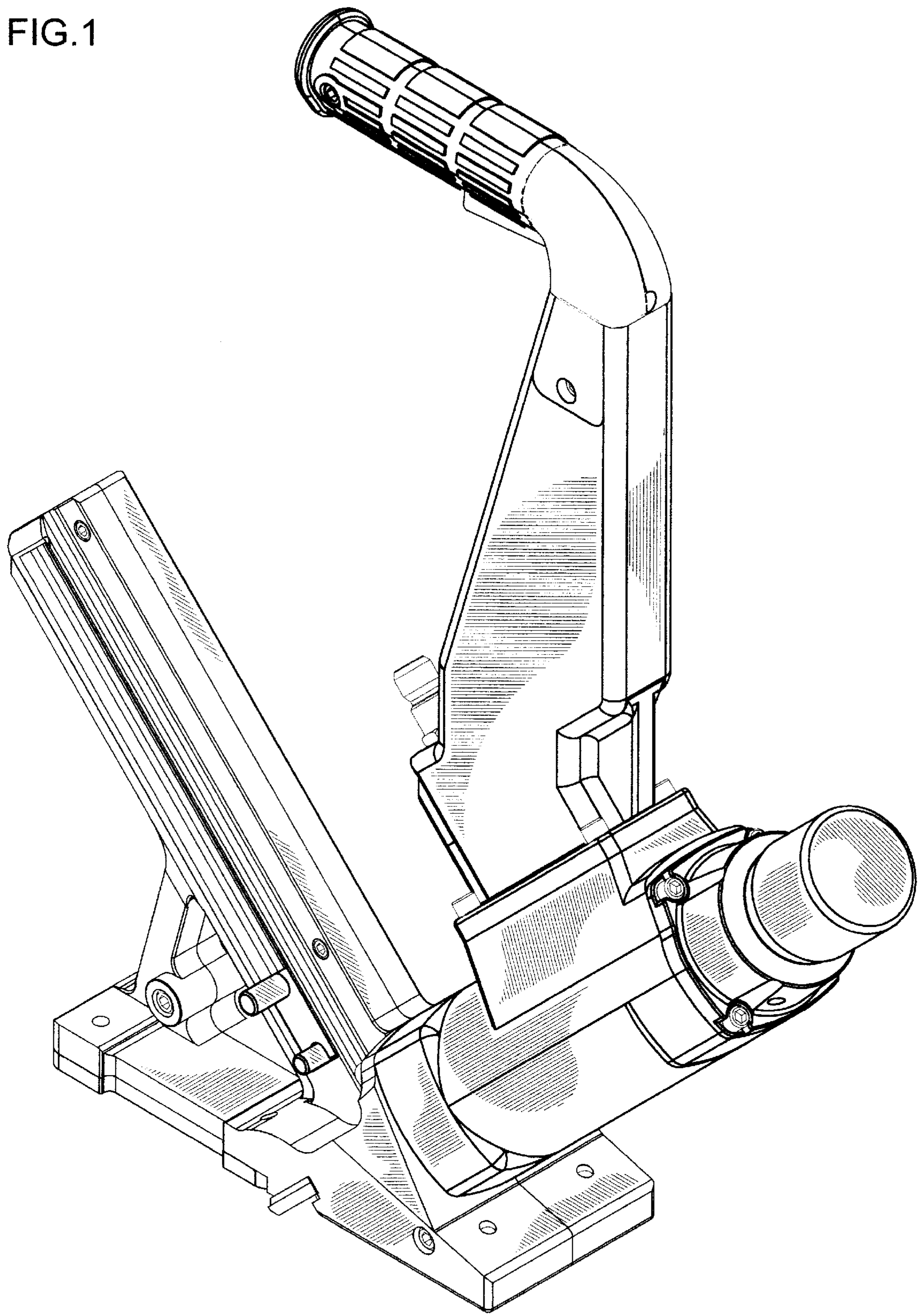


FIG.2

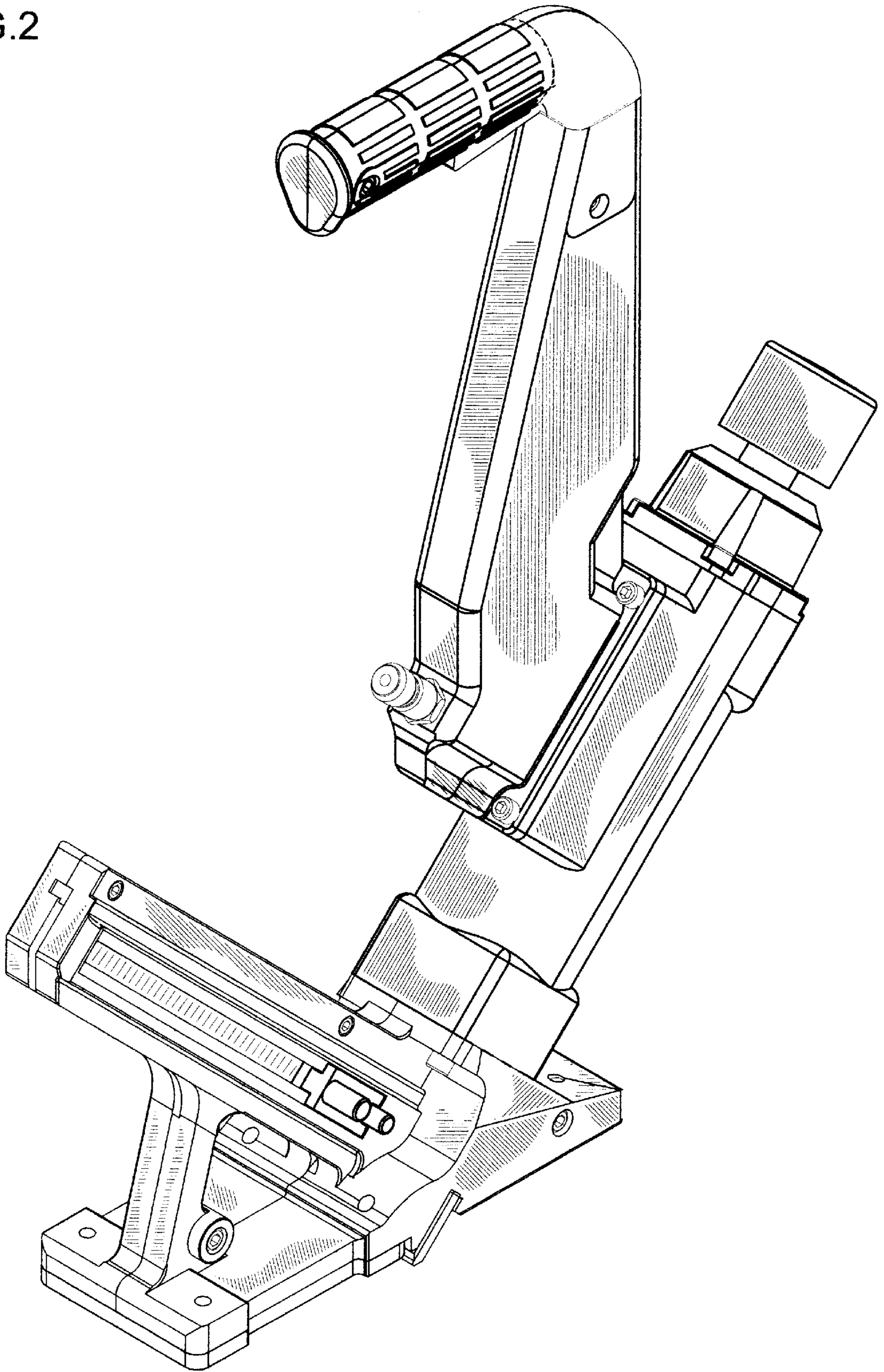


FIG.3

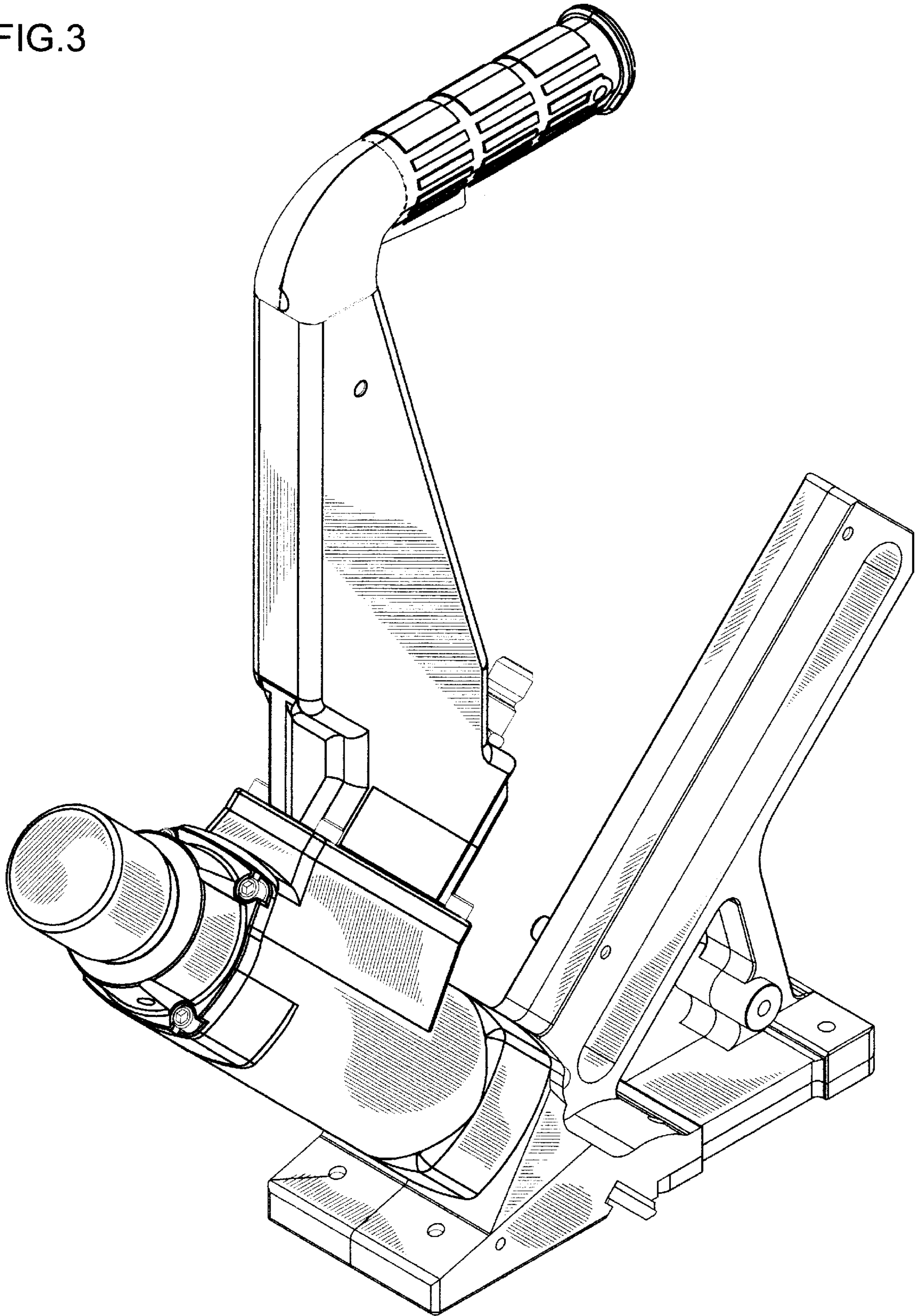


FIG.4

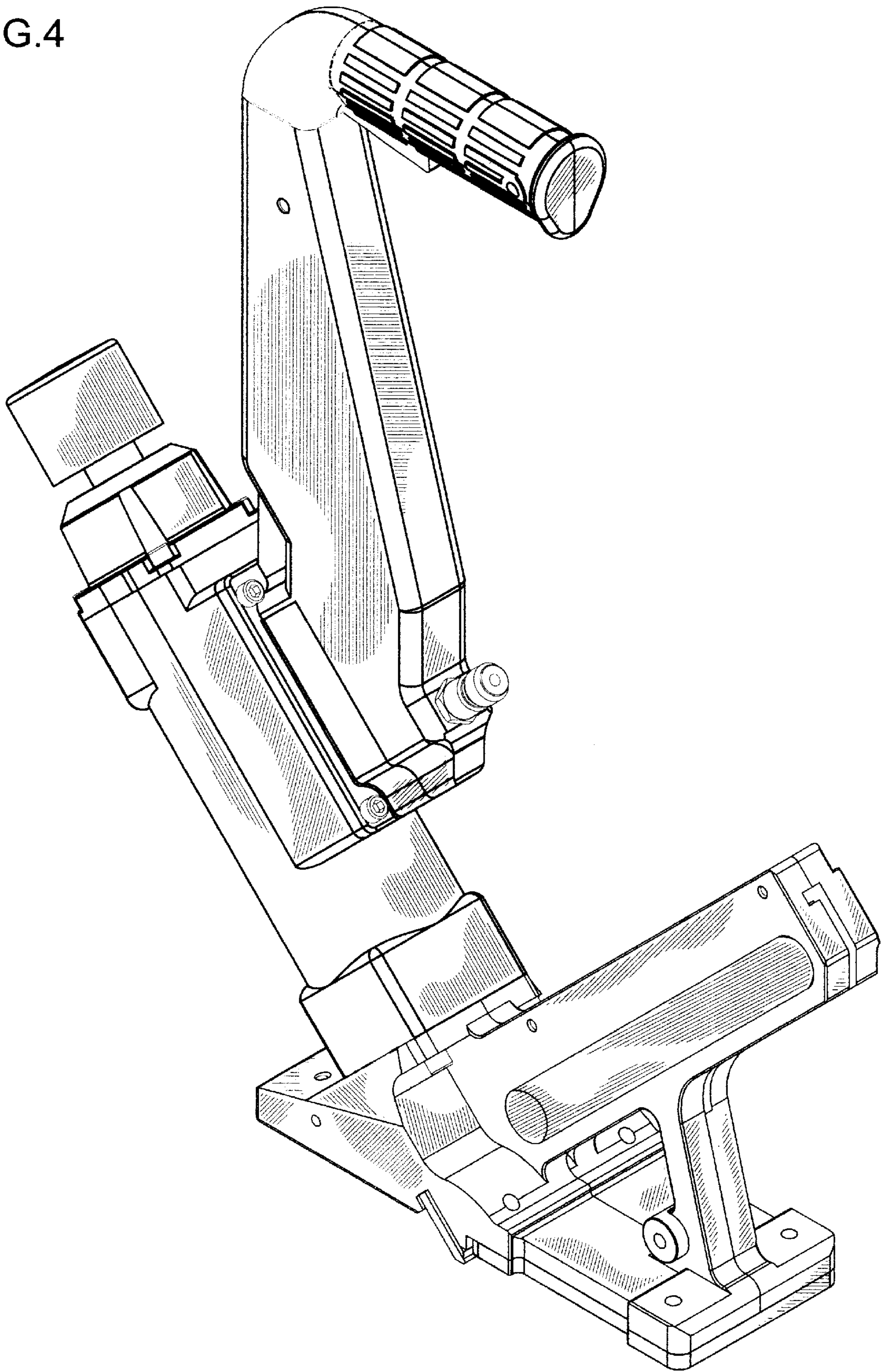


FIG.5

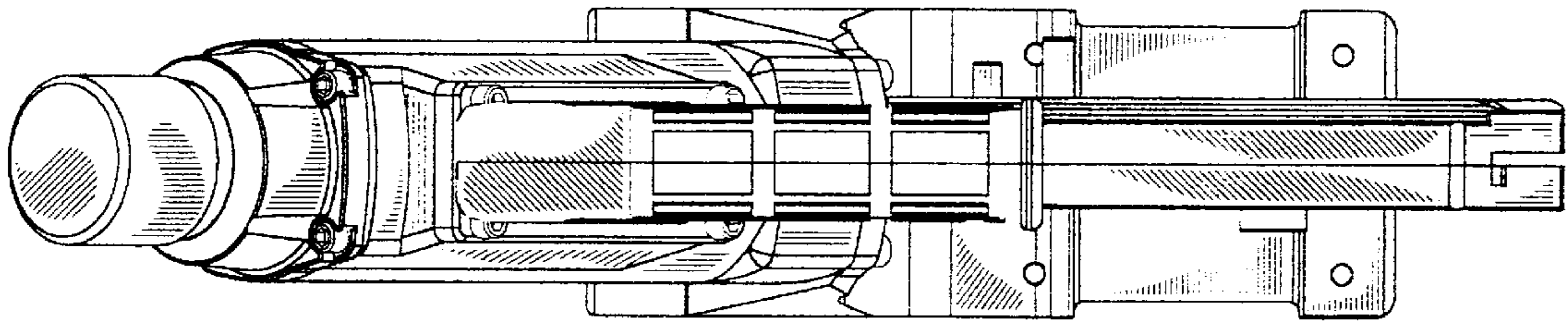


FIG.6

