



US00D438767S

(12) **United States Design Patent**
Luxon et al.

(10) **Patent No.:** **US D438,767 S**

(45) **Date of Patent:** **** Mar. 13, 2001**

(54) **PHACO TIP WRENCH**

(75) Inventors: **Timothy E. Luxon**, Kirkland; **Ed Terpilowski**, Redmond; **Robert F. Jordan**, Brier; **Lawrence Laks**, Bellevue, all of WA (US)

(73) Assignee: **MicroSurgical Technology, Inc.**, Redmond, WA (US)

(**) Term: **14 Years**

(21) Appl. No.: **29/113,511**

(22) Filed: **Nov. 4, 1999**

(51) **LOC (7) Cl.** **08-05**

(52) **U.S. Cl.** **D8/21**

(58) **Field of Search** D8/21-29, 82-87,
D8/107; 81/436-439, 440, 176.1, 176.2,
52, DIG. 3, 124.2, 124.4, 124.5, 121.1,
13, 55; 16/110 R

(56) **References Cited**

U.S. PATENT DOCUMENTS

- D. 351,095 * 10/1994 Casica et al. D8/21
- D. 353,315 * 12/1994 Romeo D8/21
- D. 422,474 * 4/2000 Shiao D8/21
- D. 426,130 * 6/2000 Boukhny et al. D8/29

- 2,598,060 * 5/1952 Kadesky 606/166
- 2,834,241 * 5/1958 Chowning 81/125
- 3,678,789 * 7/1972 Wilson 81/121.1 X
- 4,329,892 * 5/1982 Daigle 81/55
- 4,972,733 * 11/1990 Olmr et al. 81/177.1 X

* cited by examiner

Primary Examiner—Prabhakar Deshmukh

(74) *Attorney, Agent, or Firm*—Christensen O'Connor Johnson Kindness PLLC

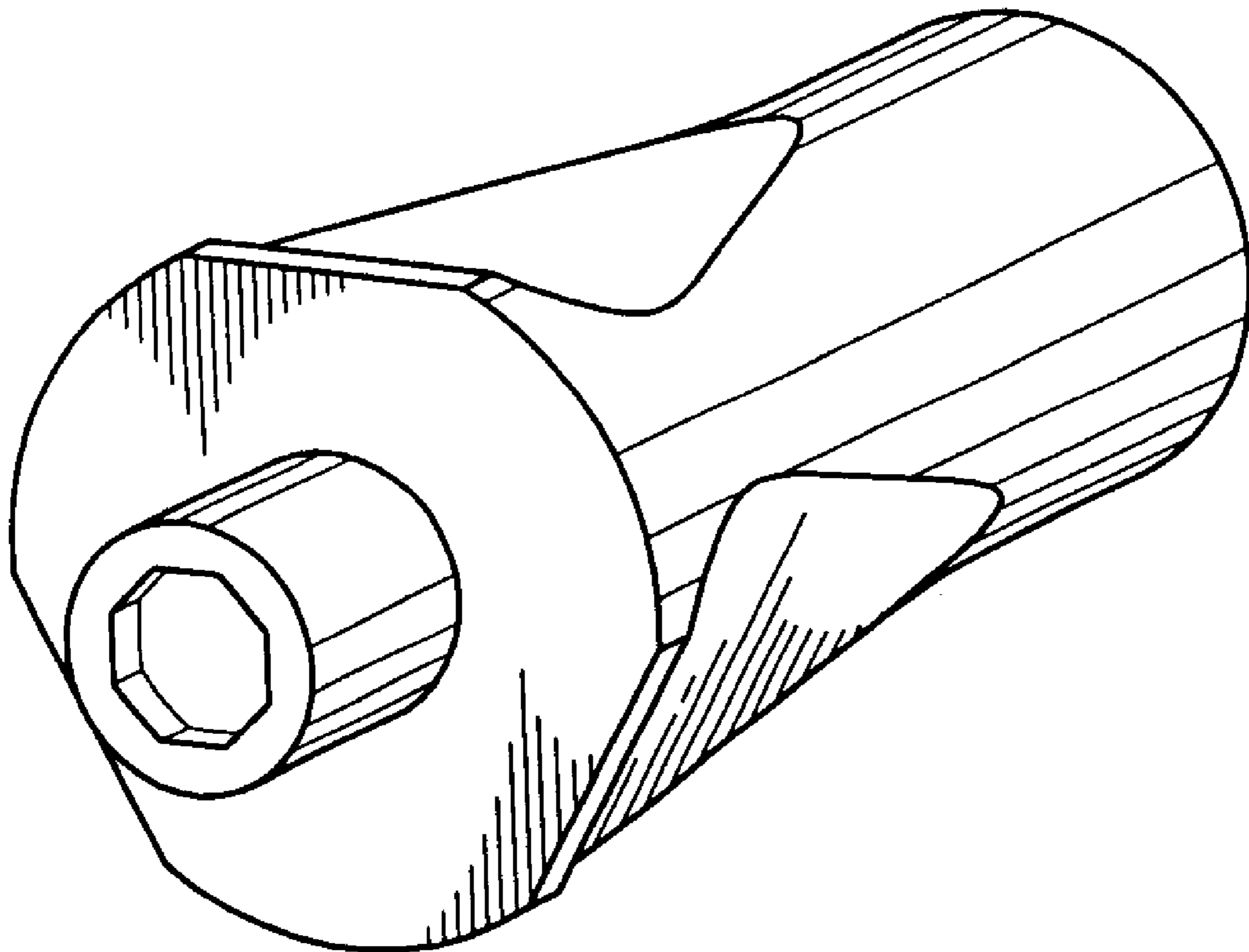
(57) **CLAIM**

The ornamental design for a phaco tip wrench, as shown and described.

DESCRIPTION

FIG. 1 is a top front perspective view of a phaco tip wrench showing our new design;
 FIG. 2 is a top rear perspective view thereof;
 FIG. 3 is a right side elevational view thereof, the left side elevational view thereof being the mirror image of FIG. 1;
 FIG. 4 is a front elevational view thereof;
 FIG. 5 is a rear elevational view thereof;
 FIG. 6 is a top plan view thereof;
 FIG. 7 is a bottom plan view thereof; and,
 FIG. 8 is a longitudinal section thereof taken along line 8—8 of FIG. 5.

1 Claim, 1 Drawing Sheet



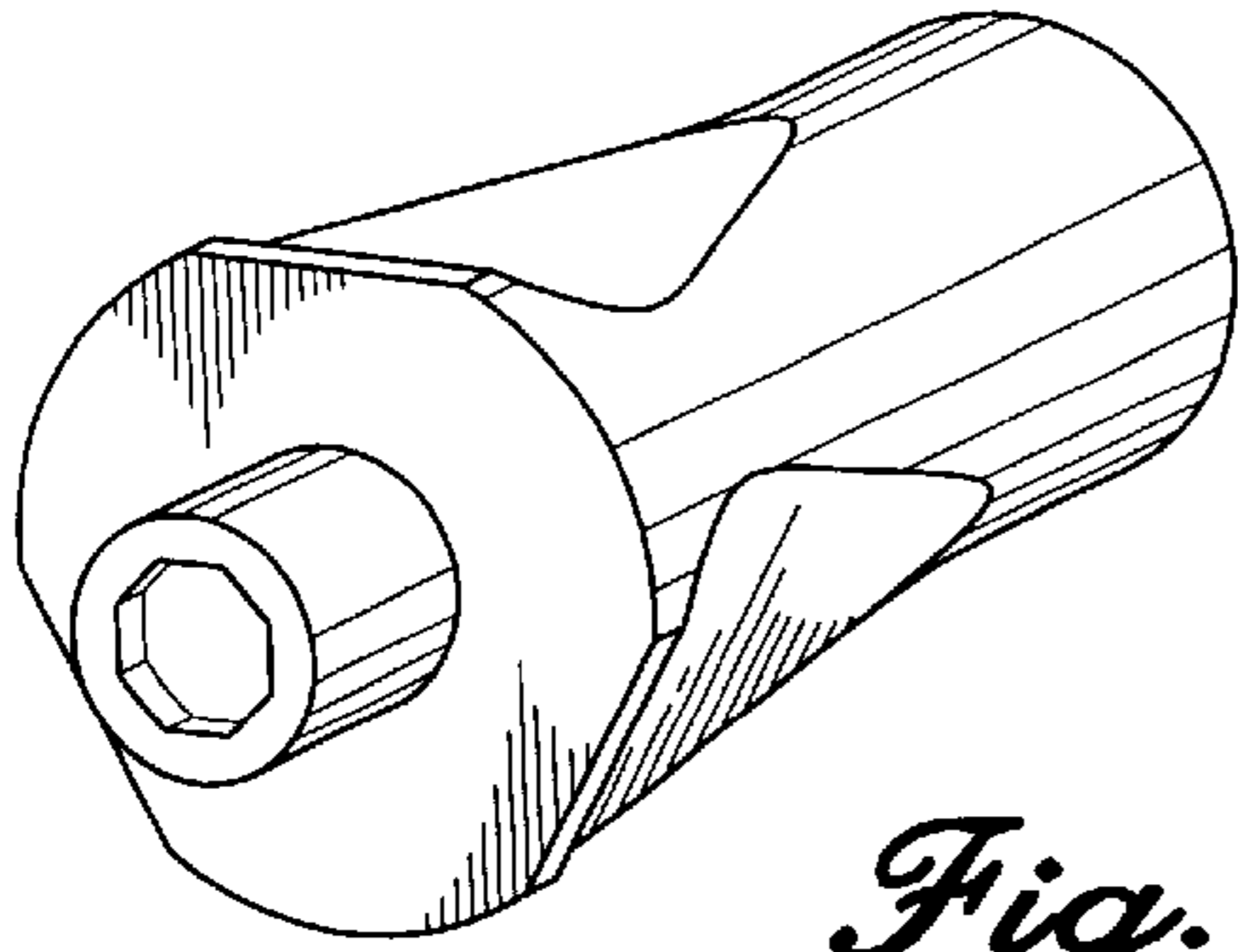


Fig. 1.

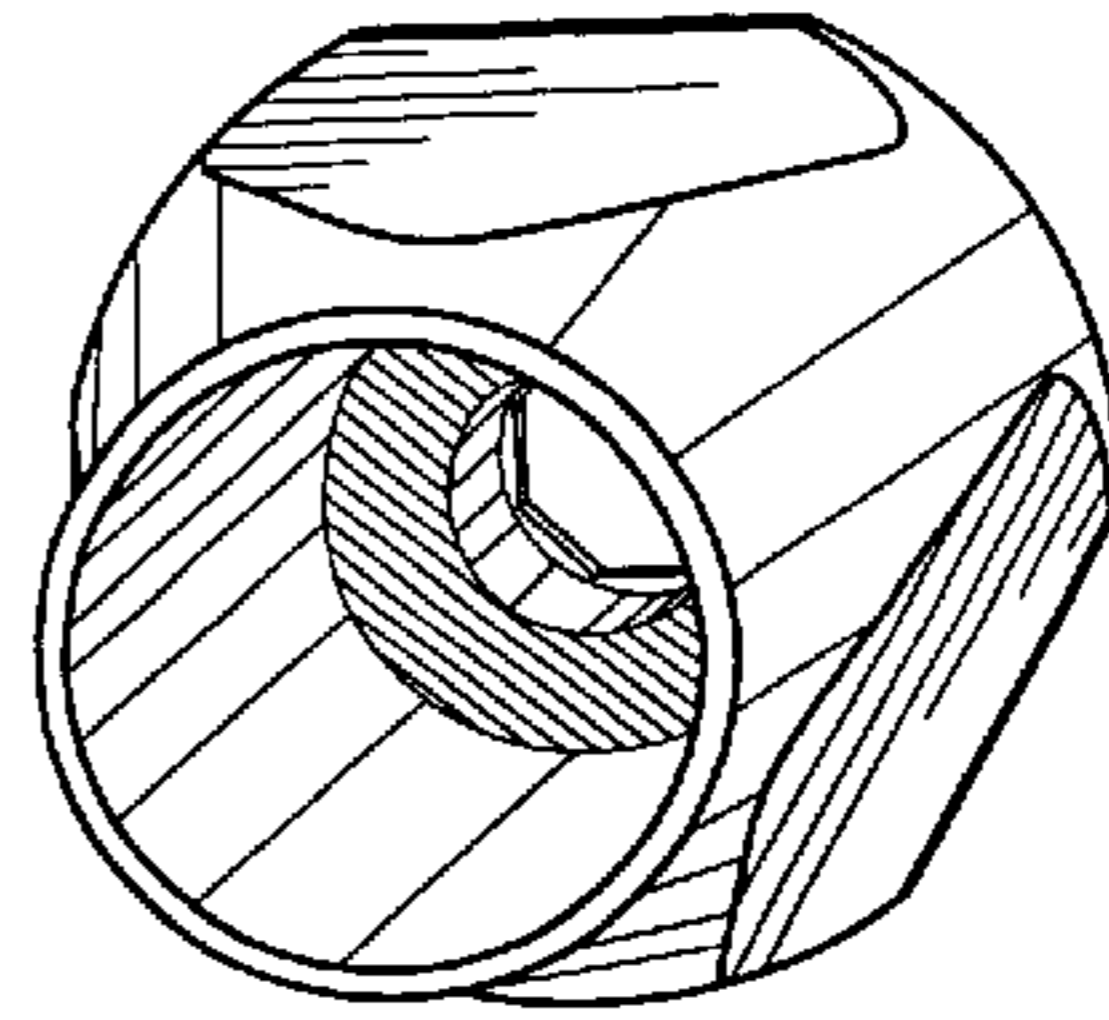


Fig. 2.

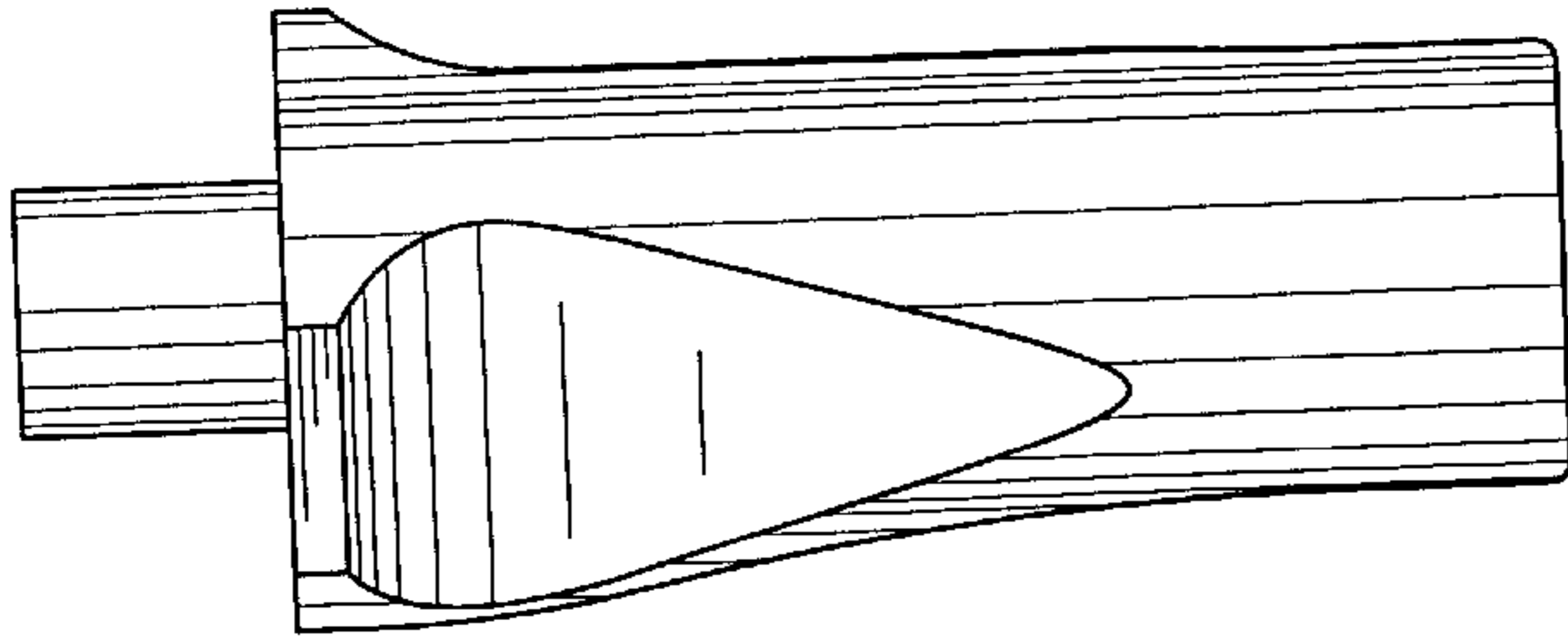


Fig. 3.

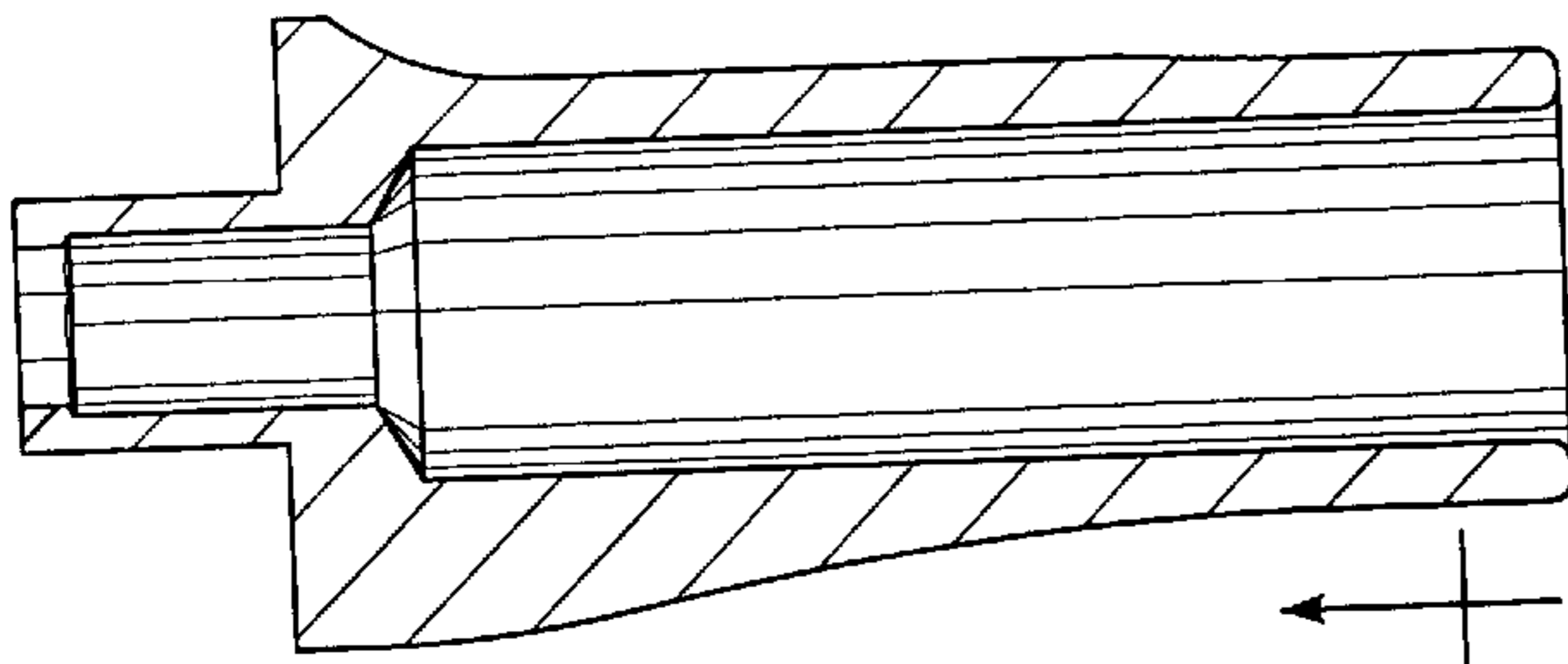


Fig. 8.

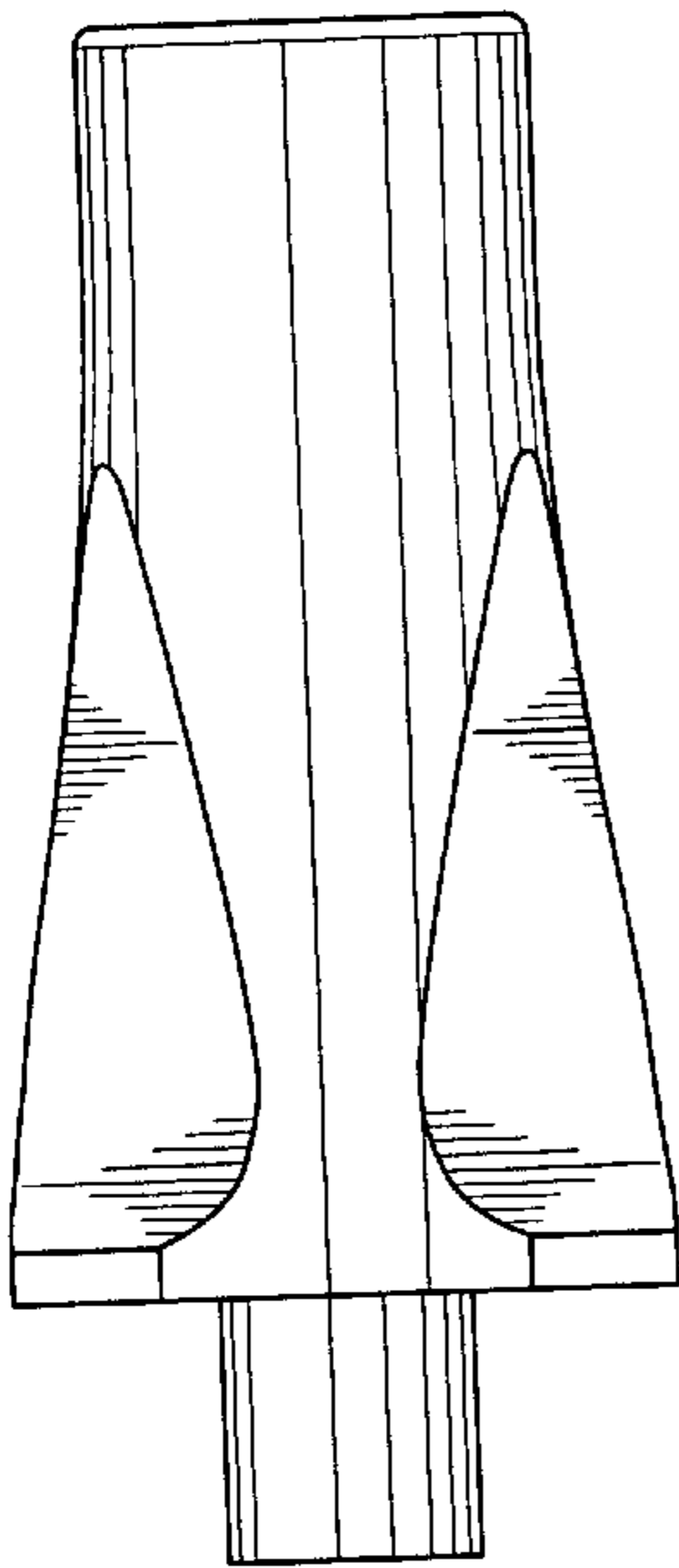


Fig. 4.

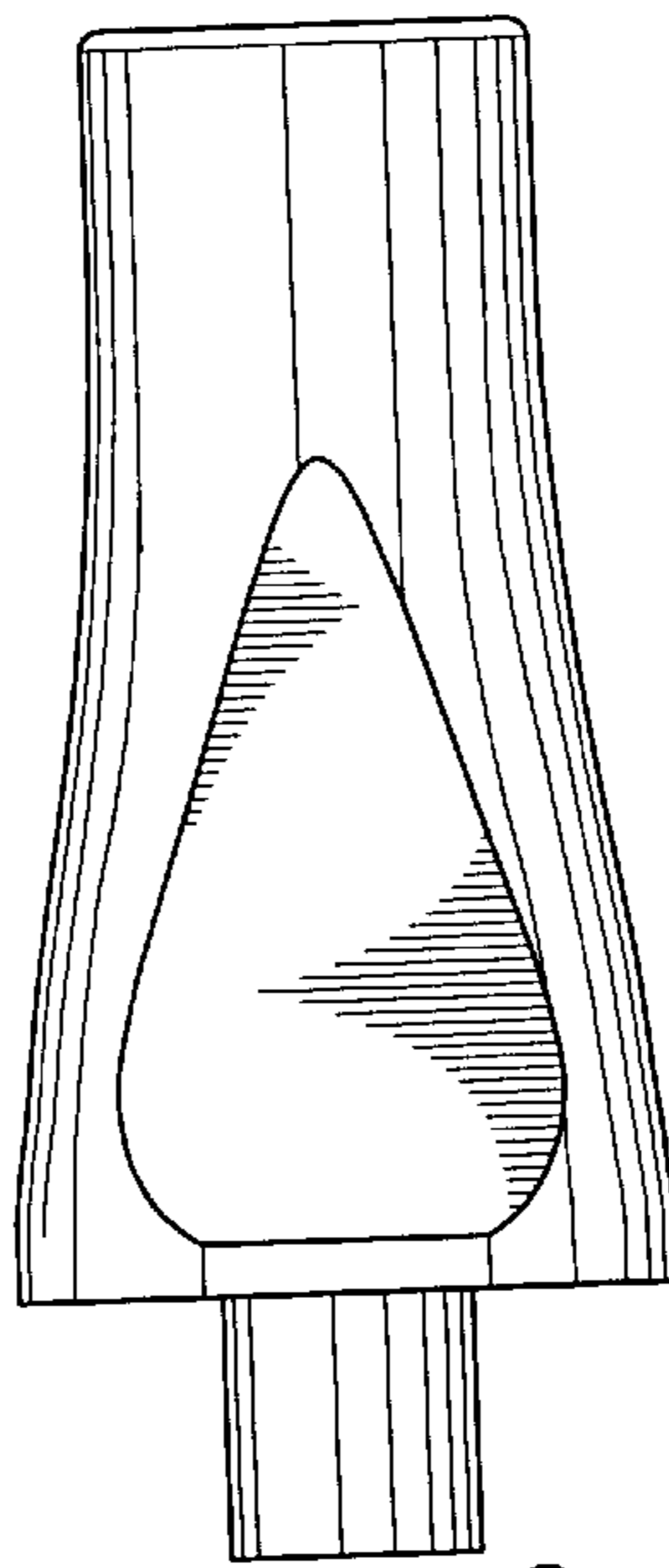


Fig. 5.

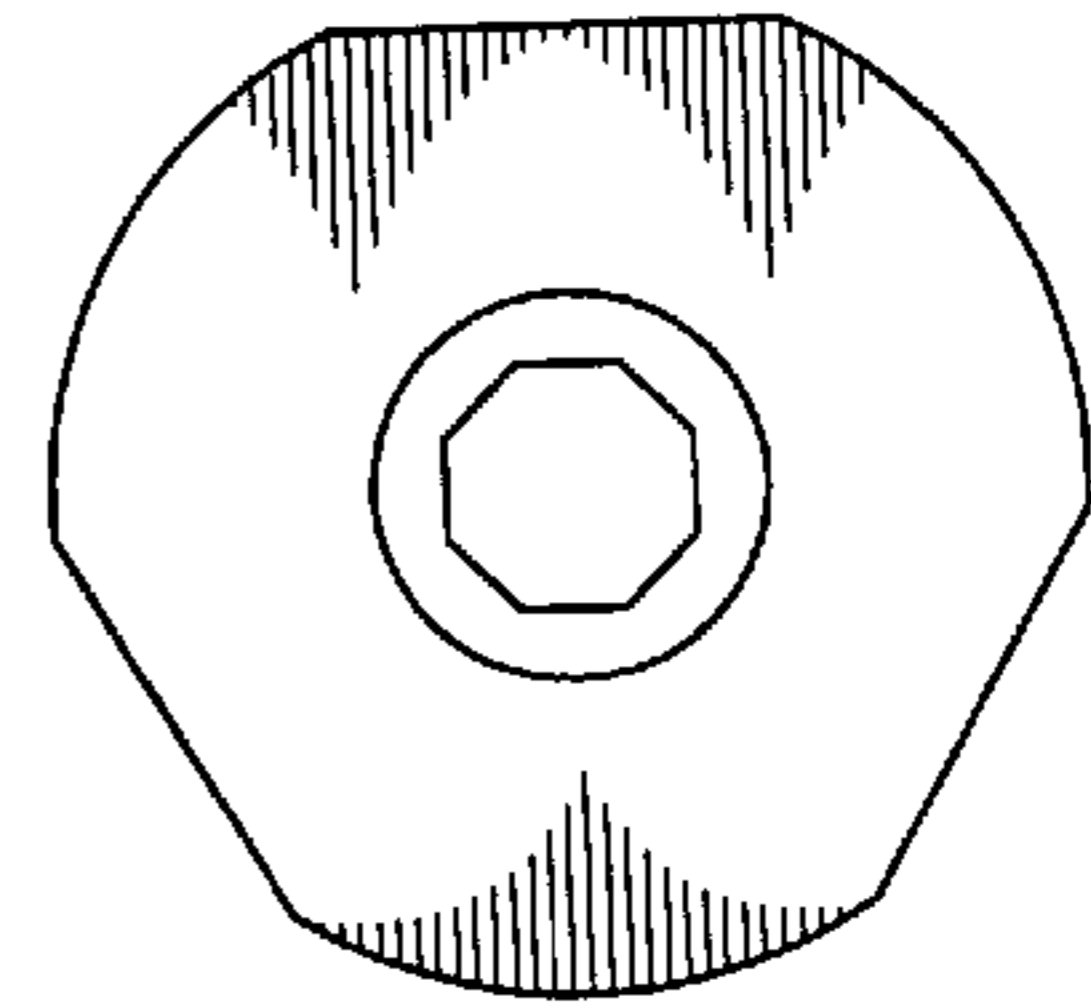


Fig. 6.

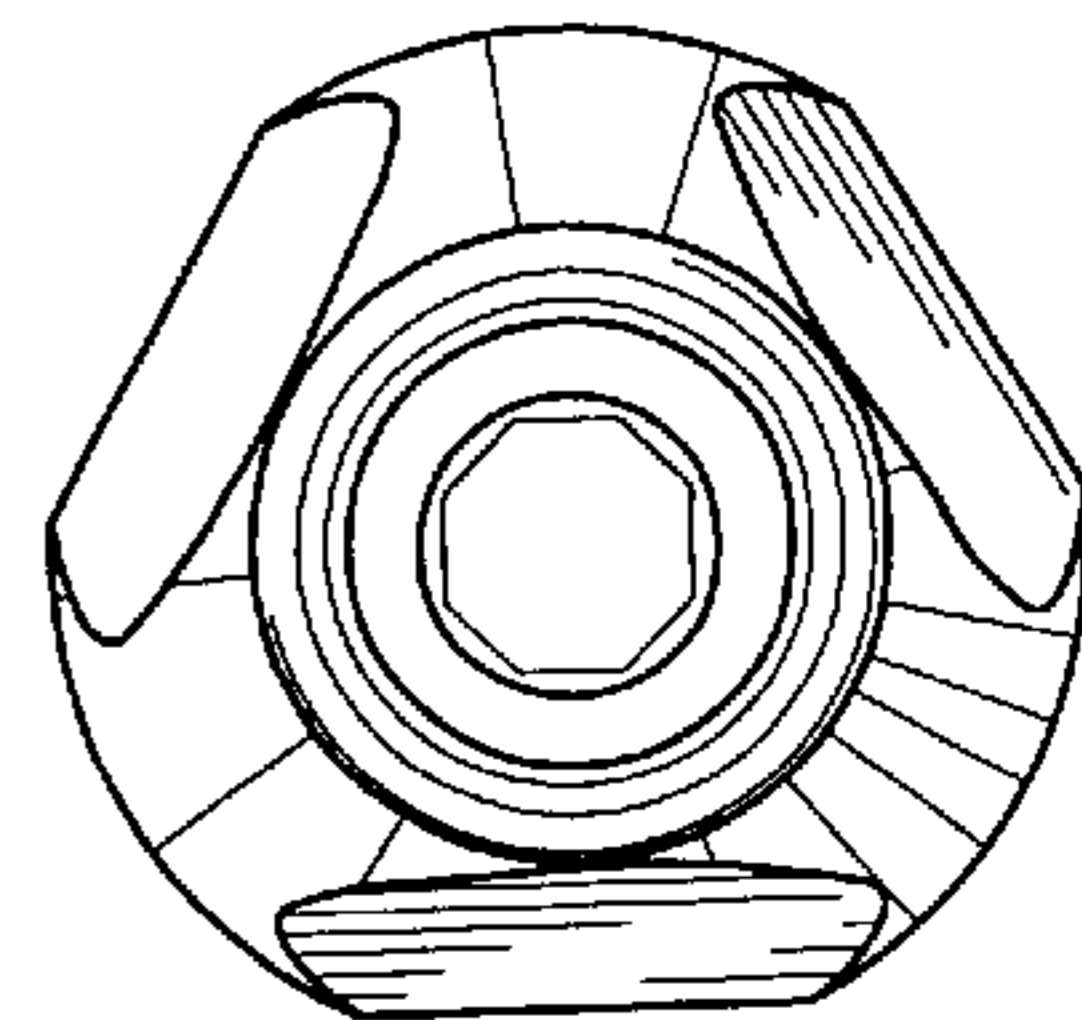


Fig. 7.

UNITED STATES PATENT AND TRADEMARK OFFICE
CERTIFICATE OF CORRECTION

PATENT NO. : Des 438,767 S
DATED : March 13, 2001
INVENTOR(S) : T.E. Luxon et al.

Page 1 of 1

It is certified that error appears in the above-identified patent and that said Letters Patent is hereby corrected as shown below:

Title page, item [57],

Column 2,

Line 8, "image of FIG. 1;" should read -- image of FIG. 3; --

Signed and Sealed this

Sixth Day of November, 2001

Attest:

Nicholas P. Godici

Attesting Officer

NICHOLAS P. GODICI
Acting Director of the United States Patent and Trademark Office