



US00D438761S

(12) **United States Design Patent**
Settele

(10) **Patent No.:**

US D438,761 S

(45) **Date of Patent:**

**** Mar. 13, 2001**

(54) **CULINARY SIFTER**

(75) Inventor: **Ignaz Settele**, Haufbeuren (DE)

(73) Assignee: **Maxpat Trading & Marketing (Far East) Limited**, Kowloon (HK)

(**) Term: **14 Years**

(21) Appl. No.: **29/120,582**

(22) Filed: **Mar. 22, 2000**

(30) **Foreign Application Priority Data**

Sep. 24, 1999 (GB) 2086891

(51) **LOC (7) Cl.** **07-04**

(52) **U.S. Cl.** **D7/668**

(58) **Field of Search** D7/667, 668; 206/515,
206/519, 520; 209/352, 357, 374, 408,
282

(56) **References Cited**

U.S. PATENT DOCUMENTS

- D. 290,921 * 7/1987 Dardashti D7/668
- 976,782 * 11/1910 Bulter 209/357
- 3,415,376 * 12/1968 Smith et al. 209/357 X
- 4,136,022 * 1/1979 Hutzler et al. 209/357

FOREIGN PATENT DOCUMENTS

- 0 310 009 A2 9/1988 (EP) .
- 0 310 009 A3 9/1988 (EP) .
- 0 310 009 B1 9/1988 (EP) .

- 214914 5/1924 (GB) .
- 259206 3/1927 (GB) .
- 374238 6/1932 (GB) .
- 430048 6/1935 (GB) .
- 642793 9/1950 (GB) .
- 735432 8/1955 (GB) .
- 919557 2/1963 (GB) .

OTHER PUBLICATIONS

Making a Home from Betty Crocker, p.21, Oxo 3-cup Sifter (M) Sep. 1997.*

Chef's Catalog, p.39, Triple Screen Sifter (T) Nov. 1996.*

* cited by examiner

Primary Examiner—Terry A. Wallace

(74) *Attorney, Agent, or Firm*—William J. Sapone; Coleman Sudol Sapone, P.C.

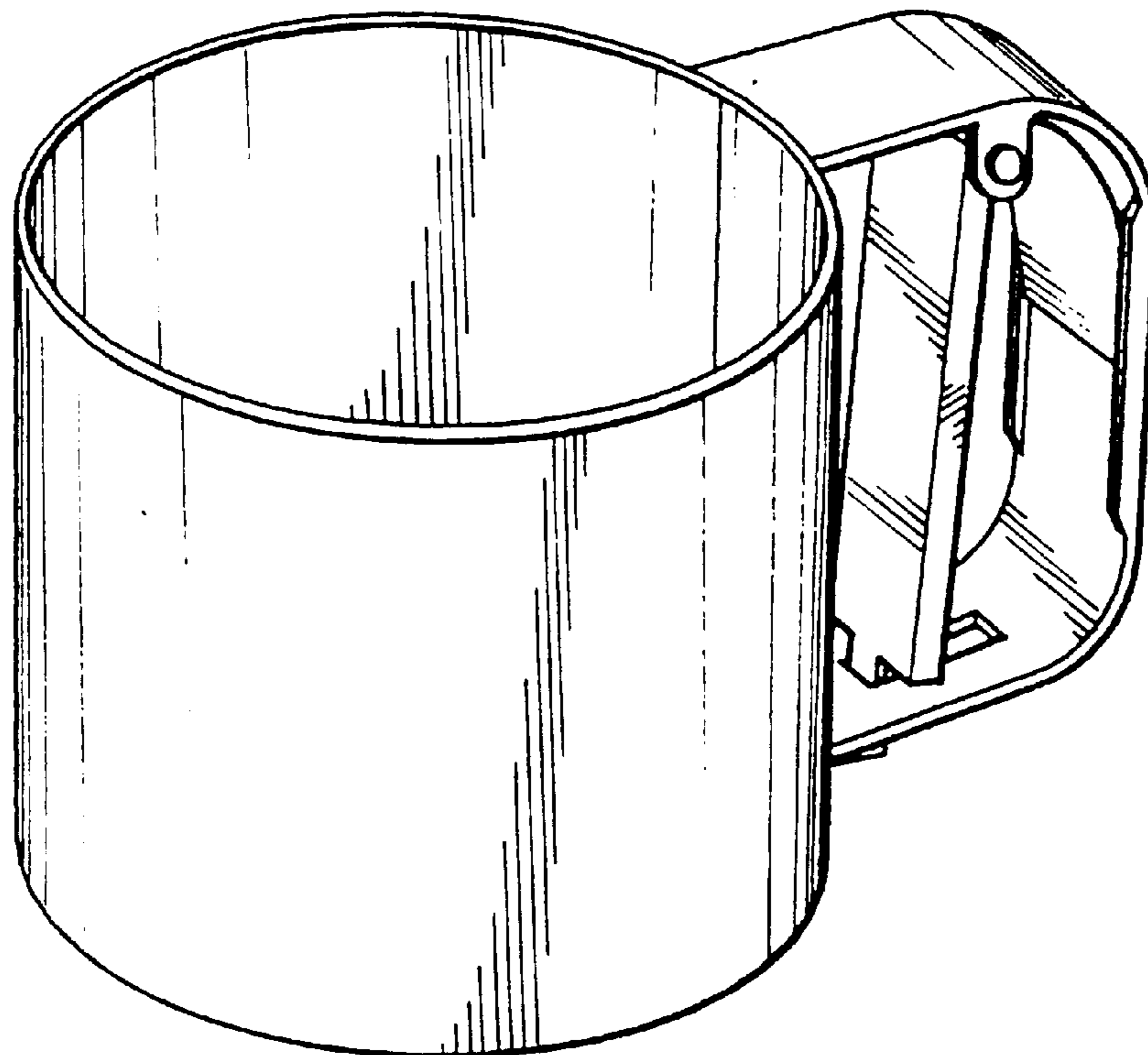
(57) **CLAIM**

The ornamental design for culinary sifter, as shown.

DESCRIPTION

FIG. 1 is a perspective view of a culinary sifter;
 FIG. 2 is a top view of the culinary sifter;
 FIG. 3 is a right side view of the culinary sifter;
 FIG. 4 is a view from below of the culinary sifter;
 FIG. 5 is a left side view of the culinary sifter;
 FIG. 6 is a side view at 270° to the right side view of the culinary sifter; and,
 FIG. 7 is a side view at 90° to the right side view of the culinary sifter.

1 Claim, 4 Drawing Sheets



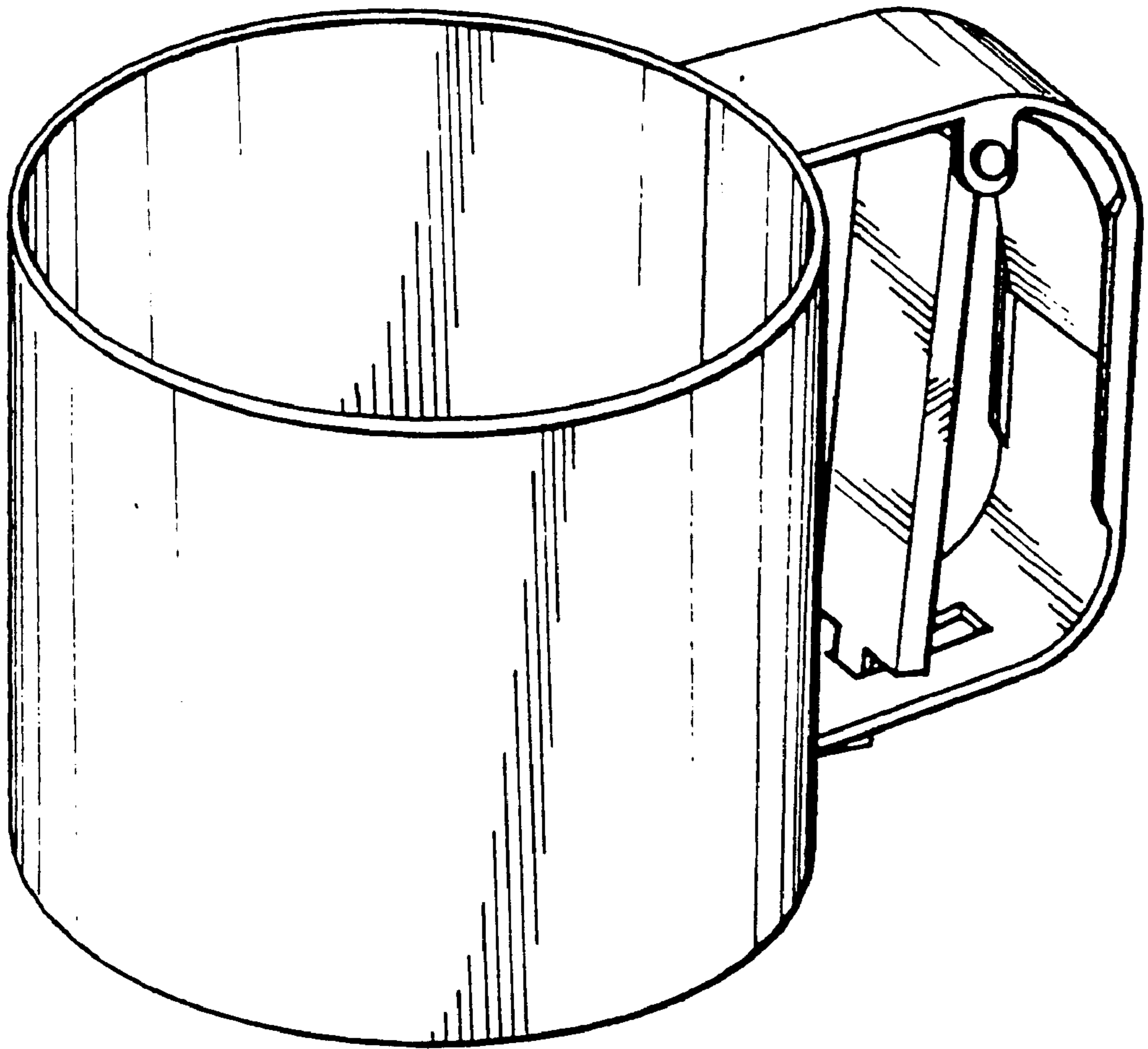


FIG. 1

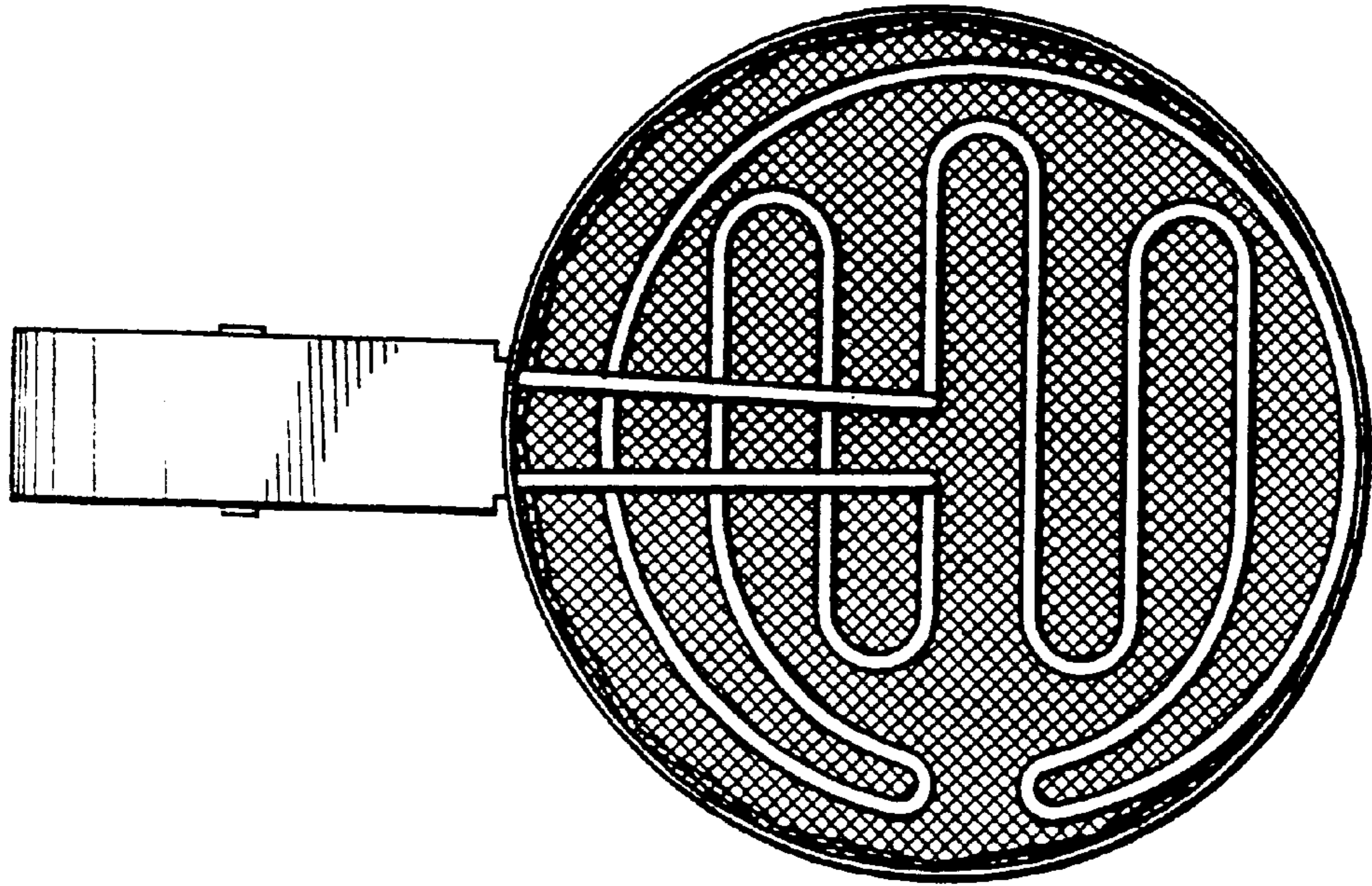


FIG. 2

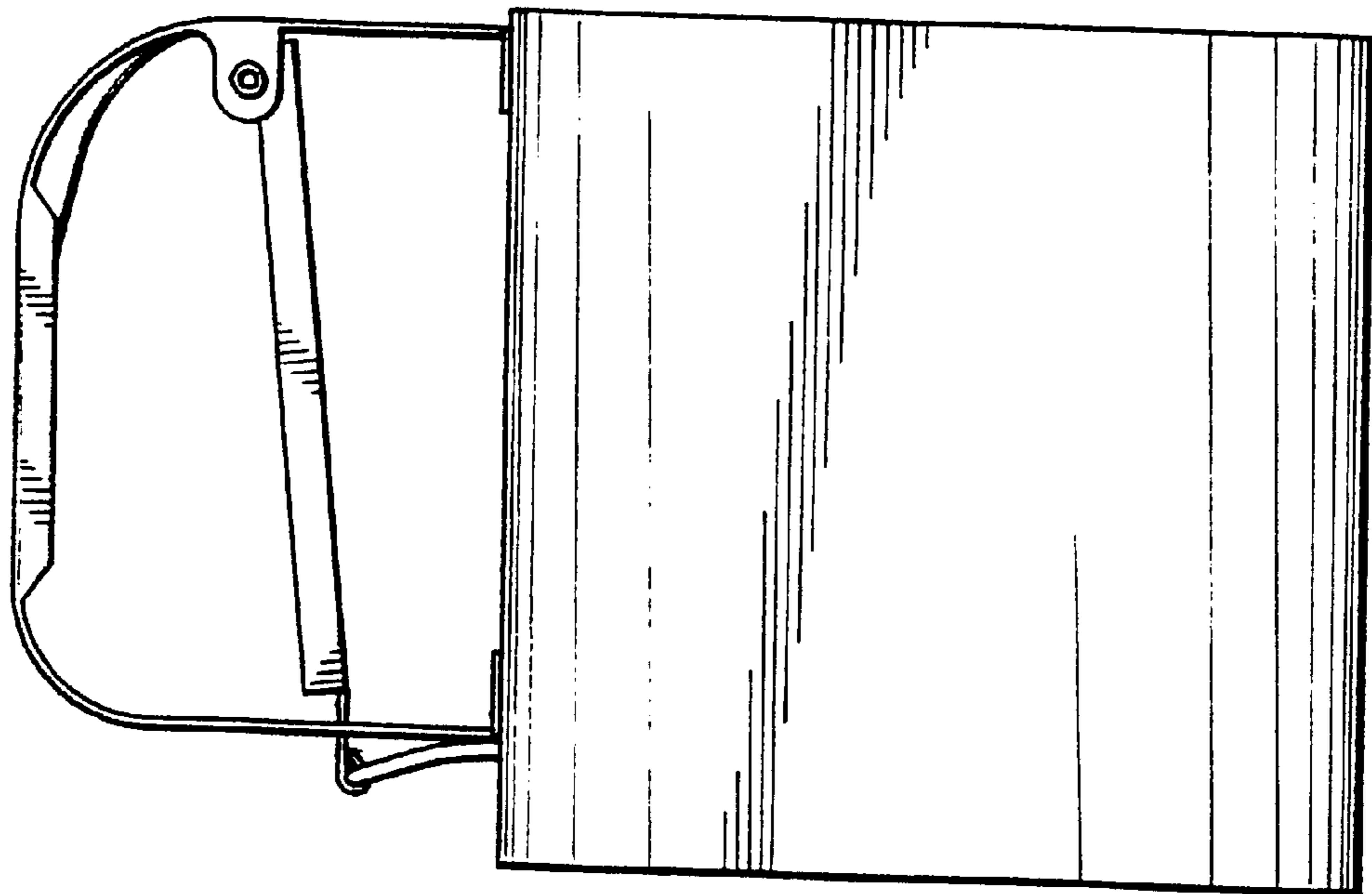


FIG. 3

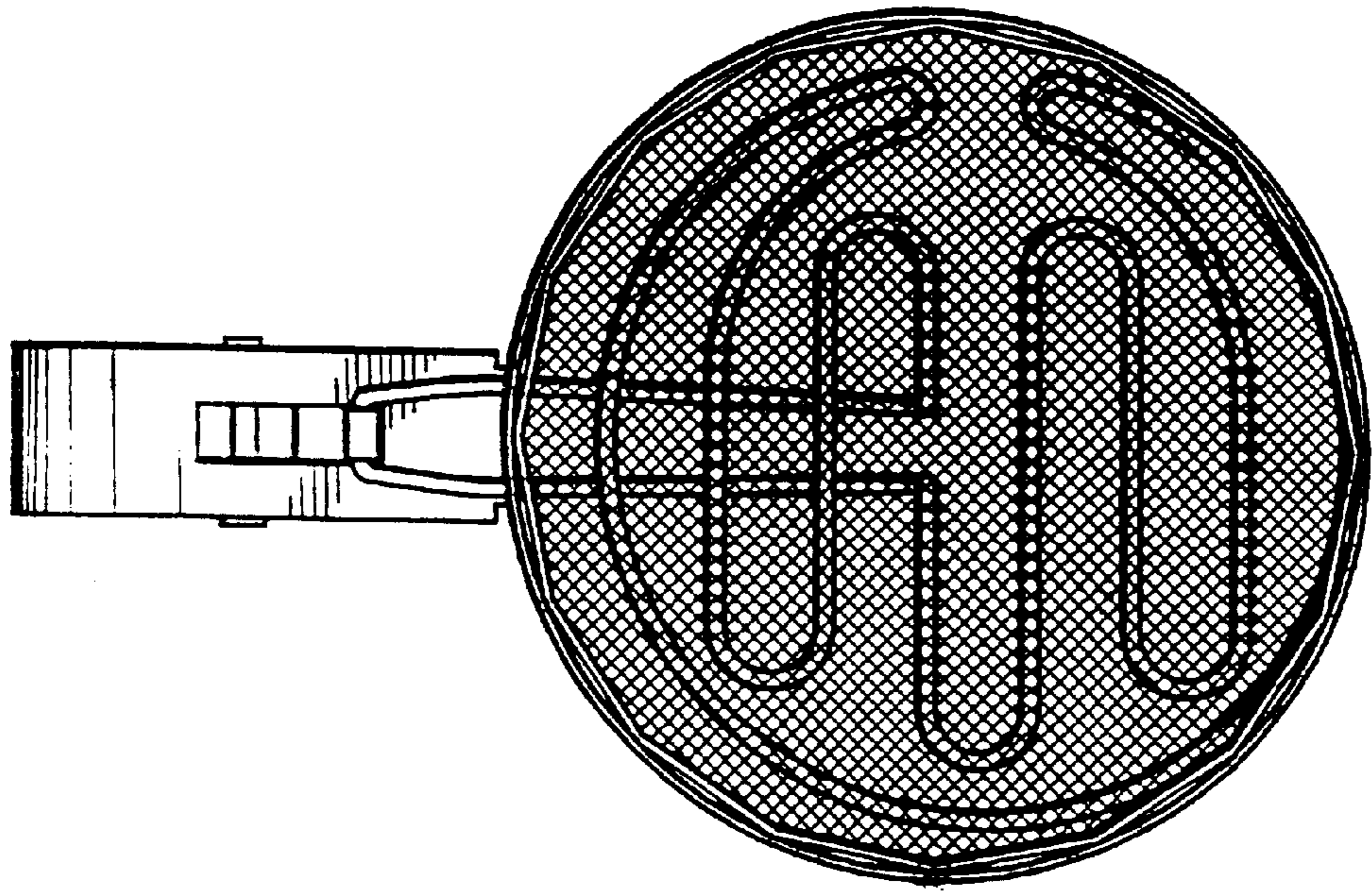


FIG. 4

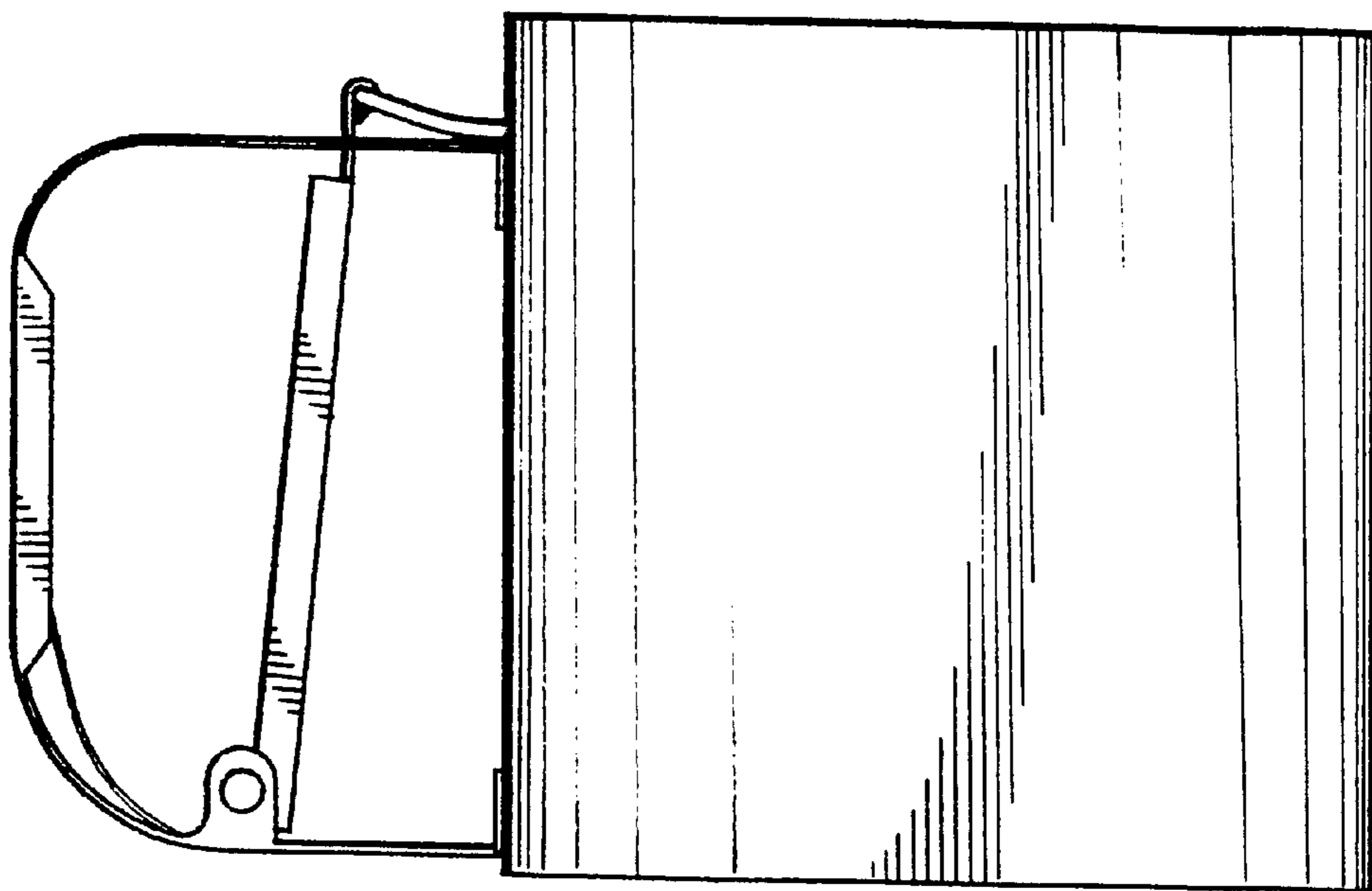


FIG. 5

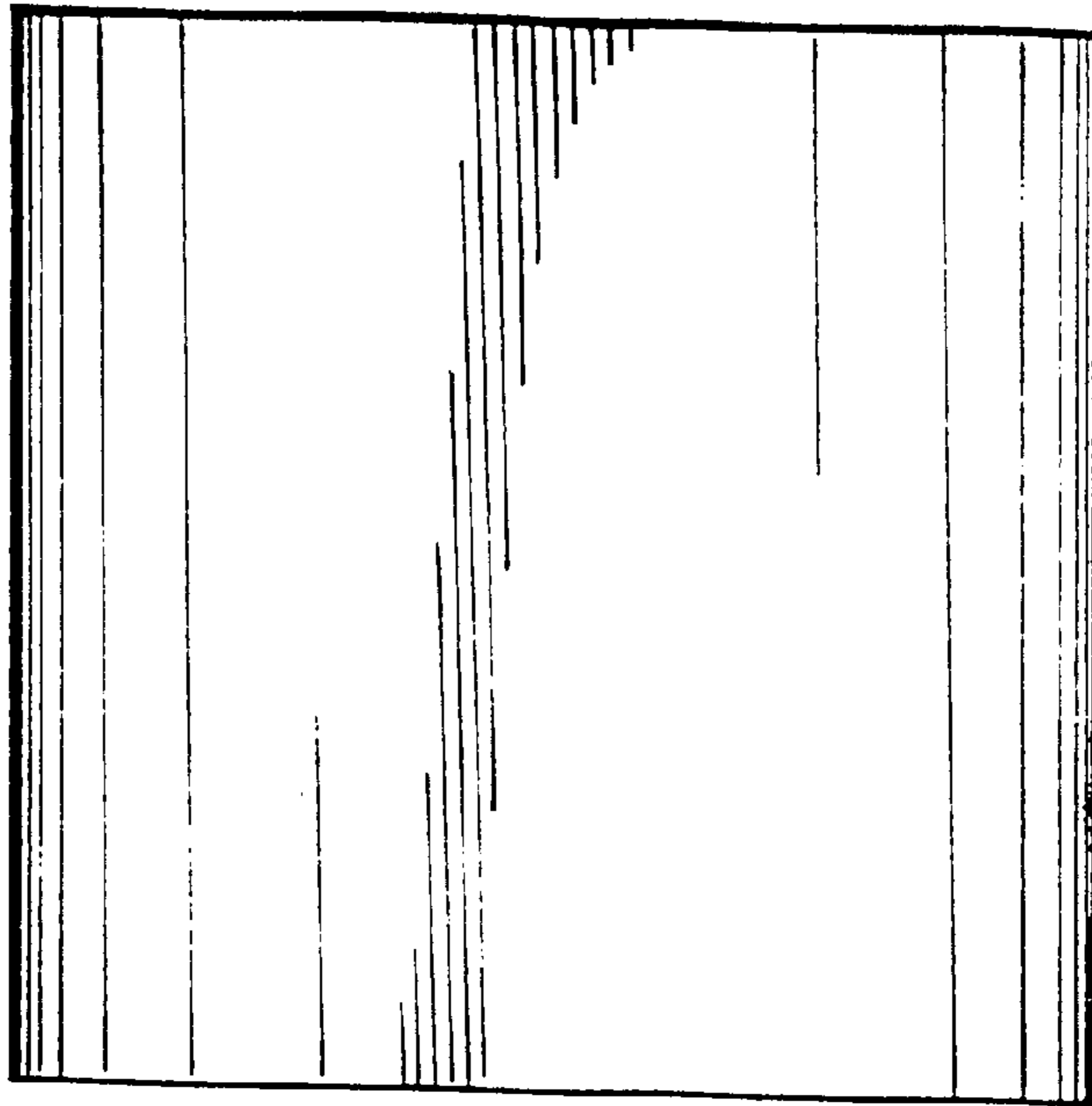


FIG. 6

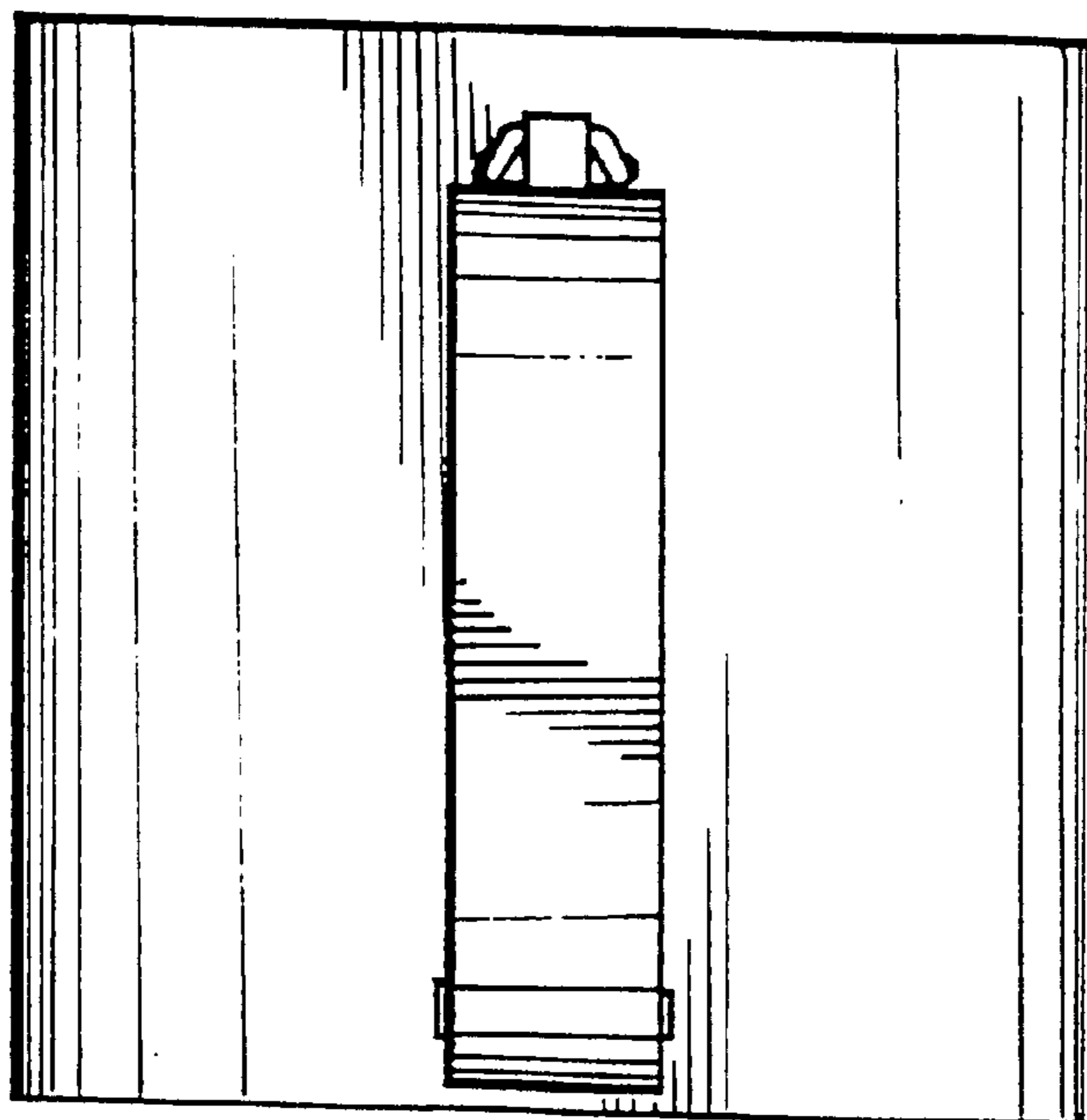


FIG. 7