



US00D438753S

(12) **United States Design Patent**
Fouquet

(10) **Patent No.:** **US D438,753 S**

(45) **Date of Patent:** **** Mar. 13, 2001**

(54) **VEGETABLE SLICER**

D. 371,055 * 6/1996 Fouquet D7/665
D. 407,265 * 3/1999 Sundquist D7/384

(75) Inventor: **Jacques Fouquet**, Lyons (FR)

* cited by examiner

(73) Assignee: **Santos Sa (societe anonyme)**, Vaulx en Velin (FR)

Primary Examiner—Caron D. Veynar

(74) *Attorney, Agent, or Firm*—Larson & Taylor PLC

(**) Term: **14 Years**

(57) **CLAIM**

(21) Appl. No.: **29/121,833**

The ornamental design for a vegetable slicer, as shown and described.

(22) Filed: **Apr. 14, 2000**

DESCRIPTION

(30) **Foreign Application Priority Data**

Oct. 14, 1999 (FR) 99 6419

(51) **LOC (7) Cl.** **31-00**

(52) **U.S. Cl.** **D7/381**

(58) **Field of Search** D7/368, 665, 678,
D7/679, 372-374, 381-384; 99/537, 538;
241/33, 101.1, 168, 185.5, 277, 278.2,
285.2, 301

FIG. 1 is a front view of a vegetable slicer in accordance with the present invention.

FIG. 2 is a right side view of the vegetable slicer depicted in FIG. 1.

FIG. 3 is a left side view of the vegetable slicer depicted in FIG. 1.

FIG. 4 is a front/top/right side perspective view of the vegetable slicer depicted in FIG. 1.

FIG. 5 is a back view of the vegetable slicer depicted in FIG. 1.

FIG. 6 is a top plan view of the vegetable slicer depicted in FIG. 1; and,

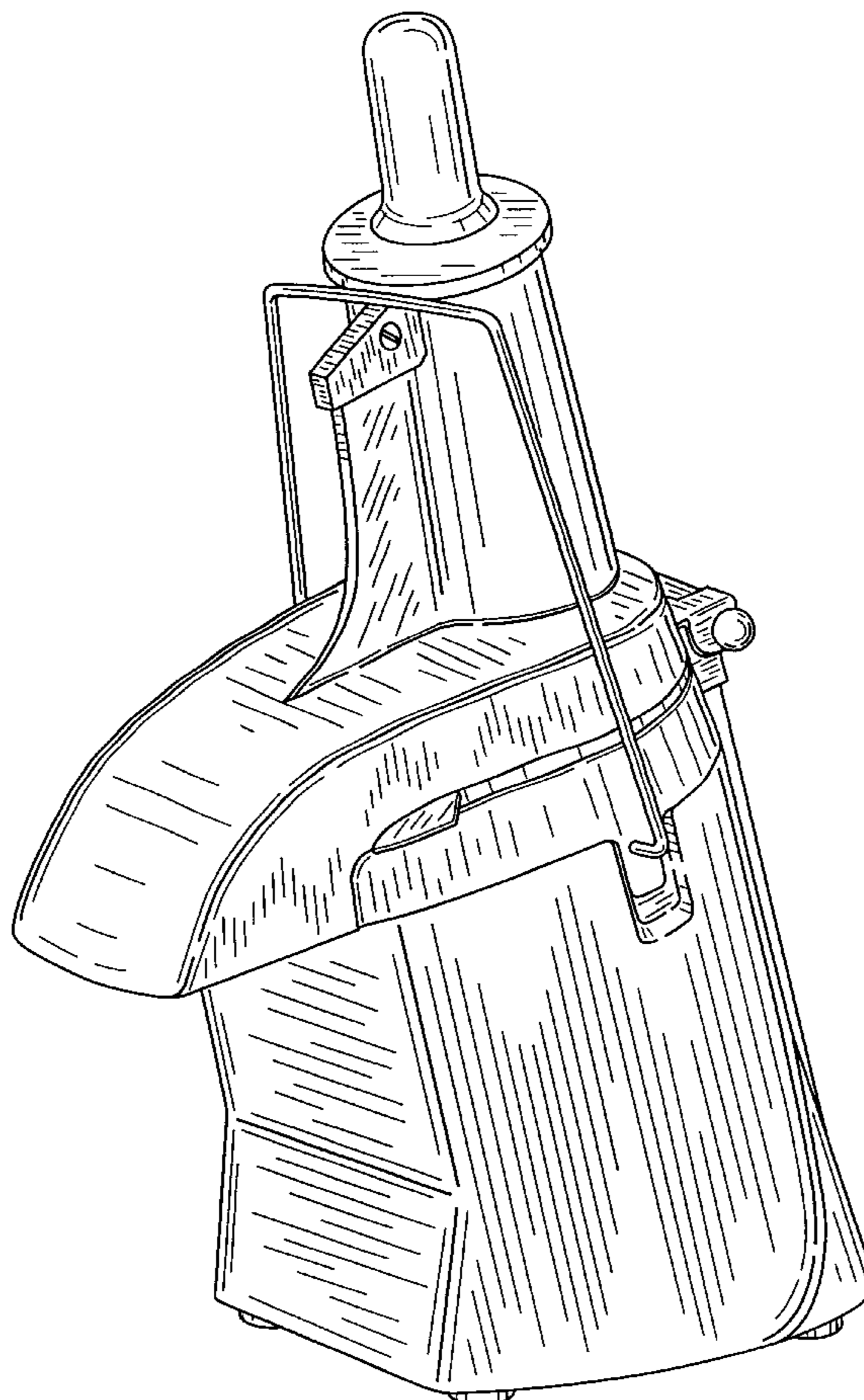
FIG. 7 is a bottom plan view of the vegetable slicer depicted in FIG. 1.

(56) **References Cited**

U.S. PATENT DOCUMENTS

D. 230,941 * 3/1974 Marrie D7/381
D. 259,385 * 6/1981 Levin D7/665
D. 343,097 * 1/1994 Cesari et al. D7/665

1 Claim, 7 Drawing Sheets



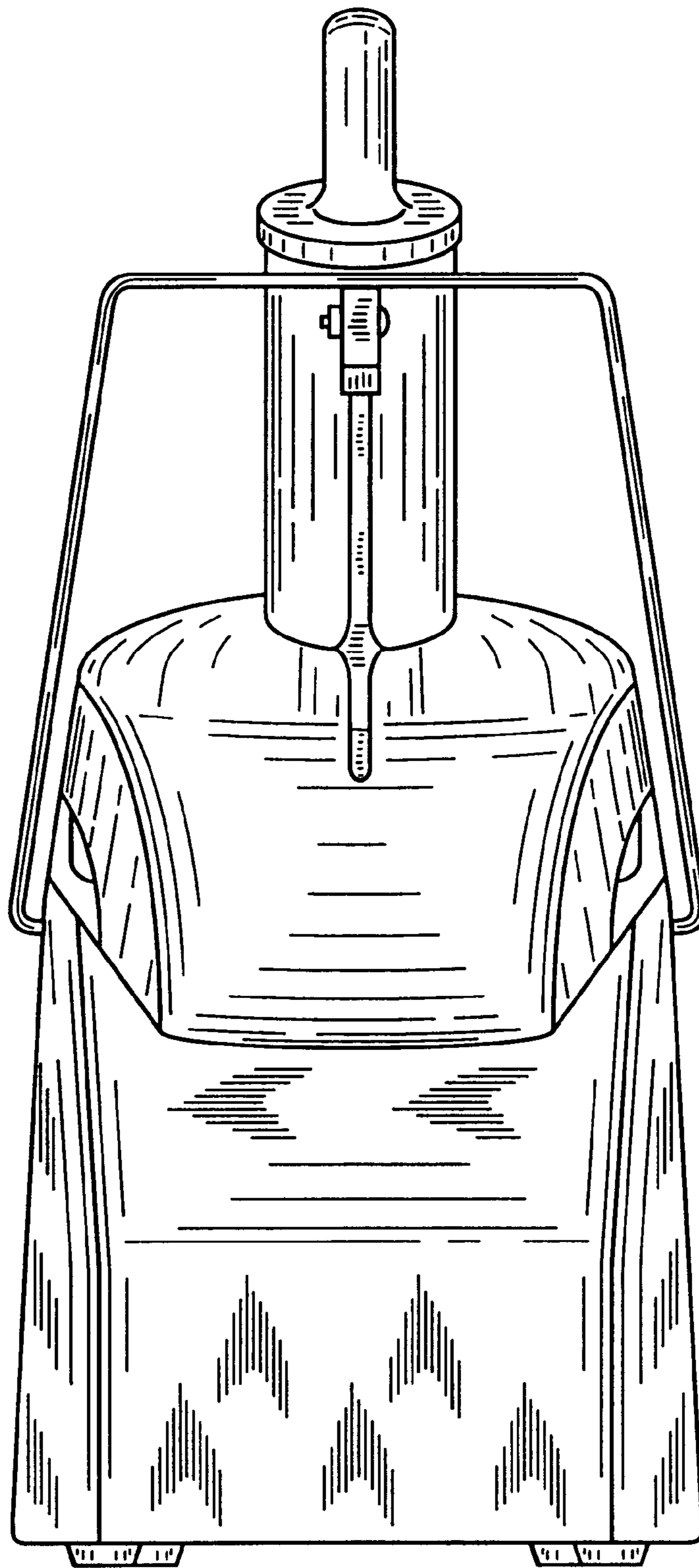


FIG. 1

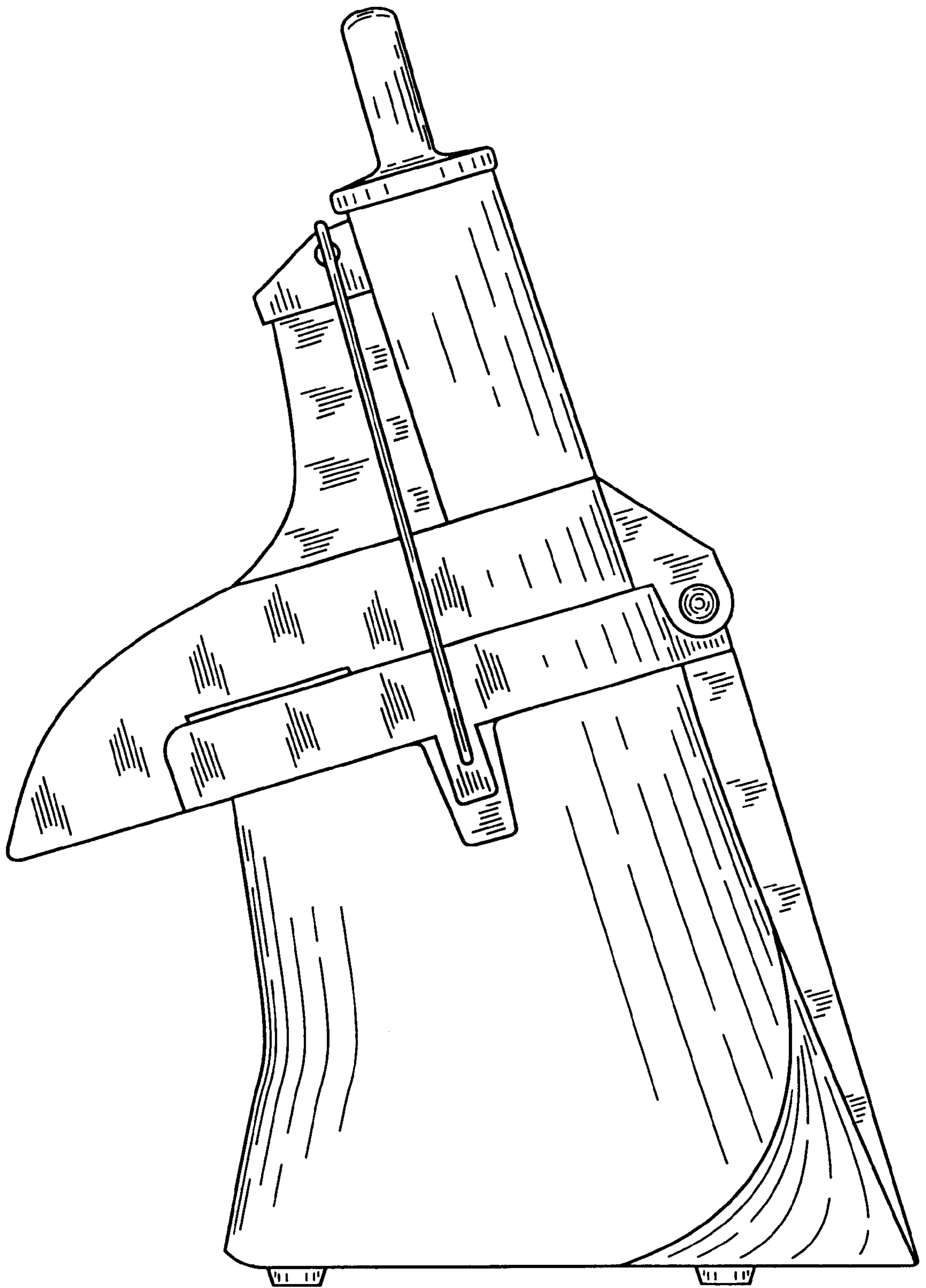


FIG. 2

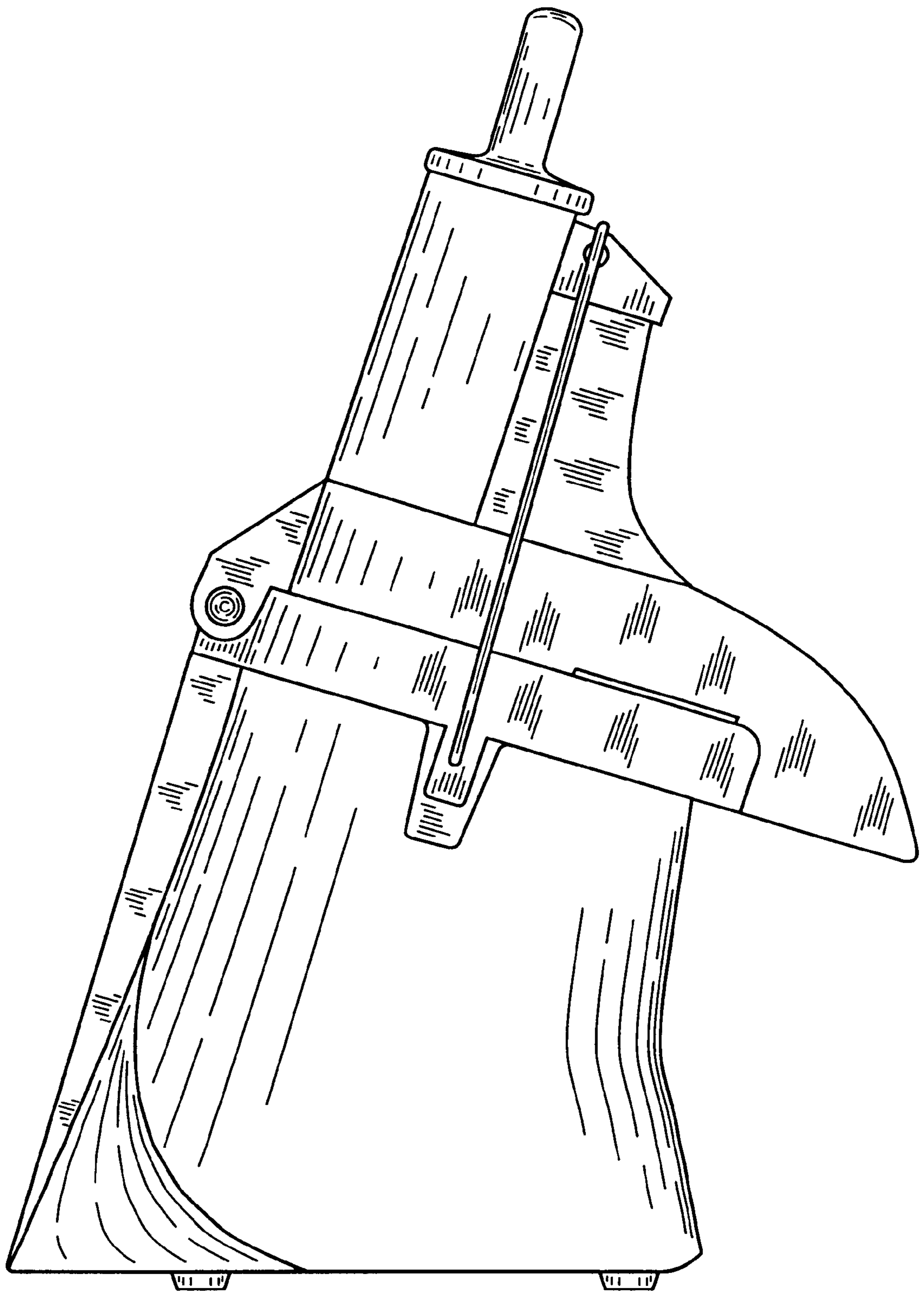


FIG. 3

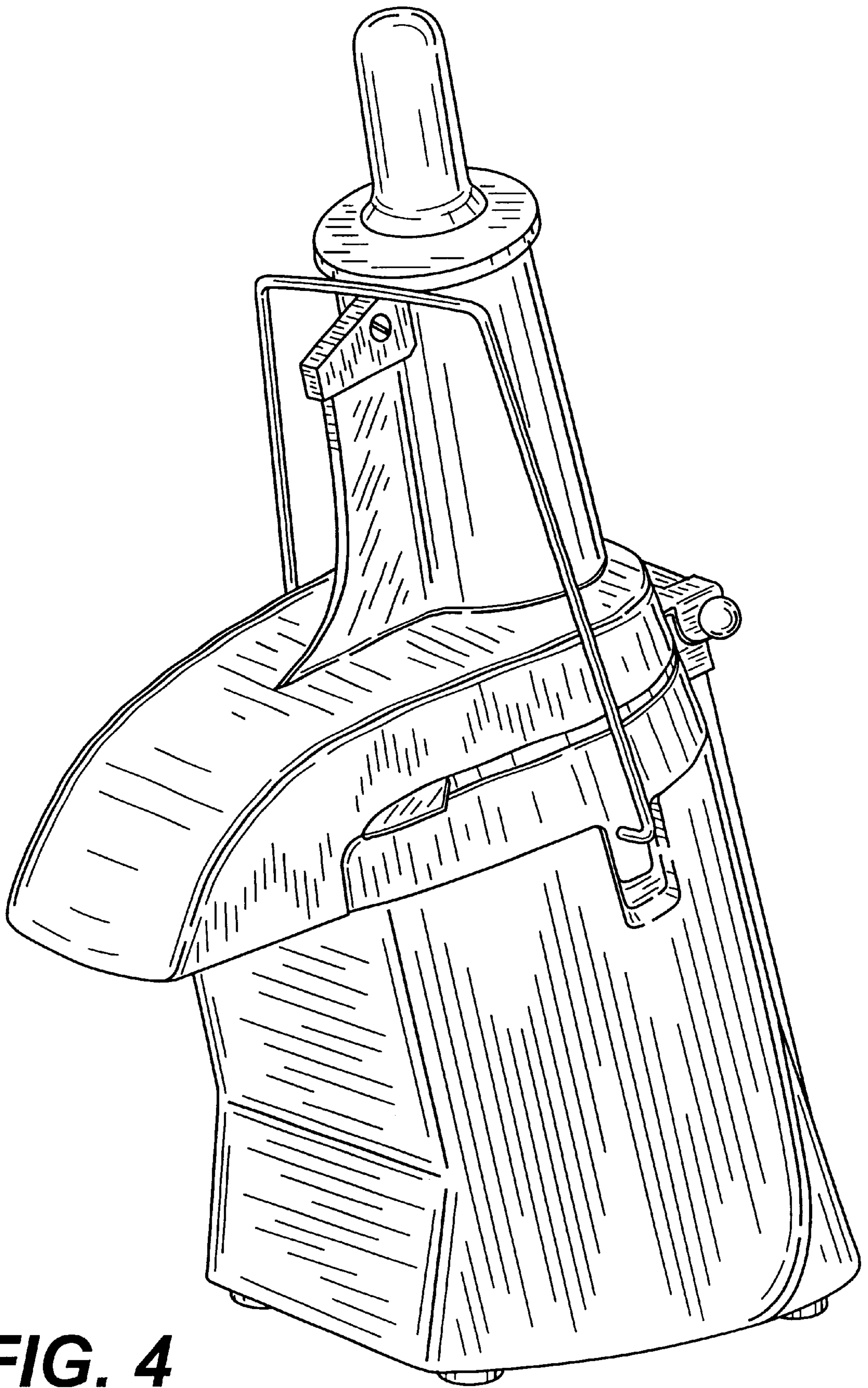


FIG. 4

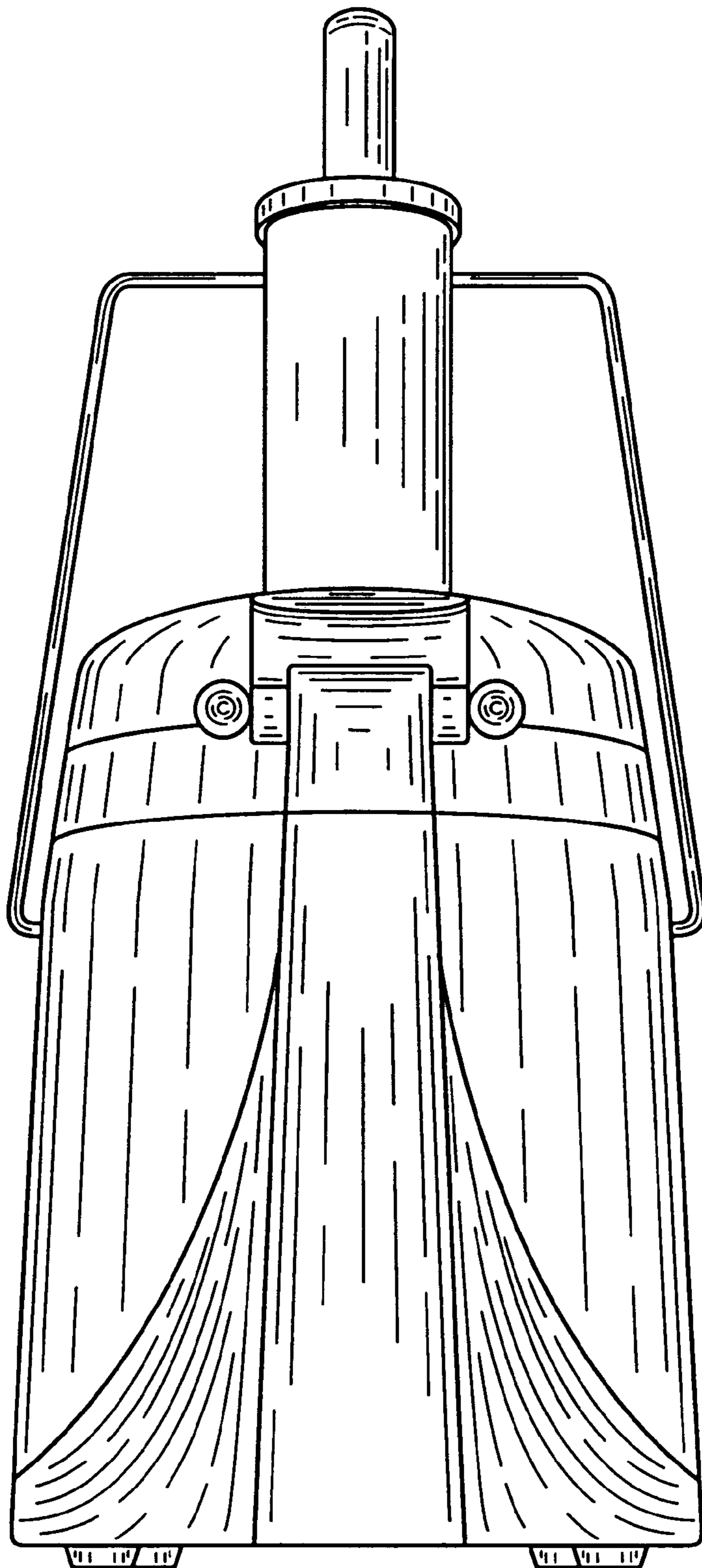


FIG. 5

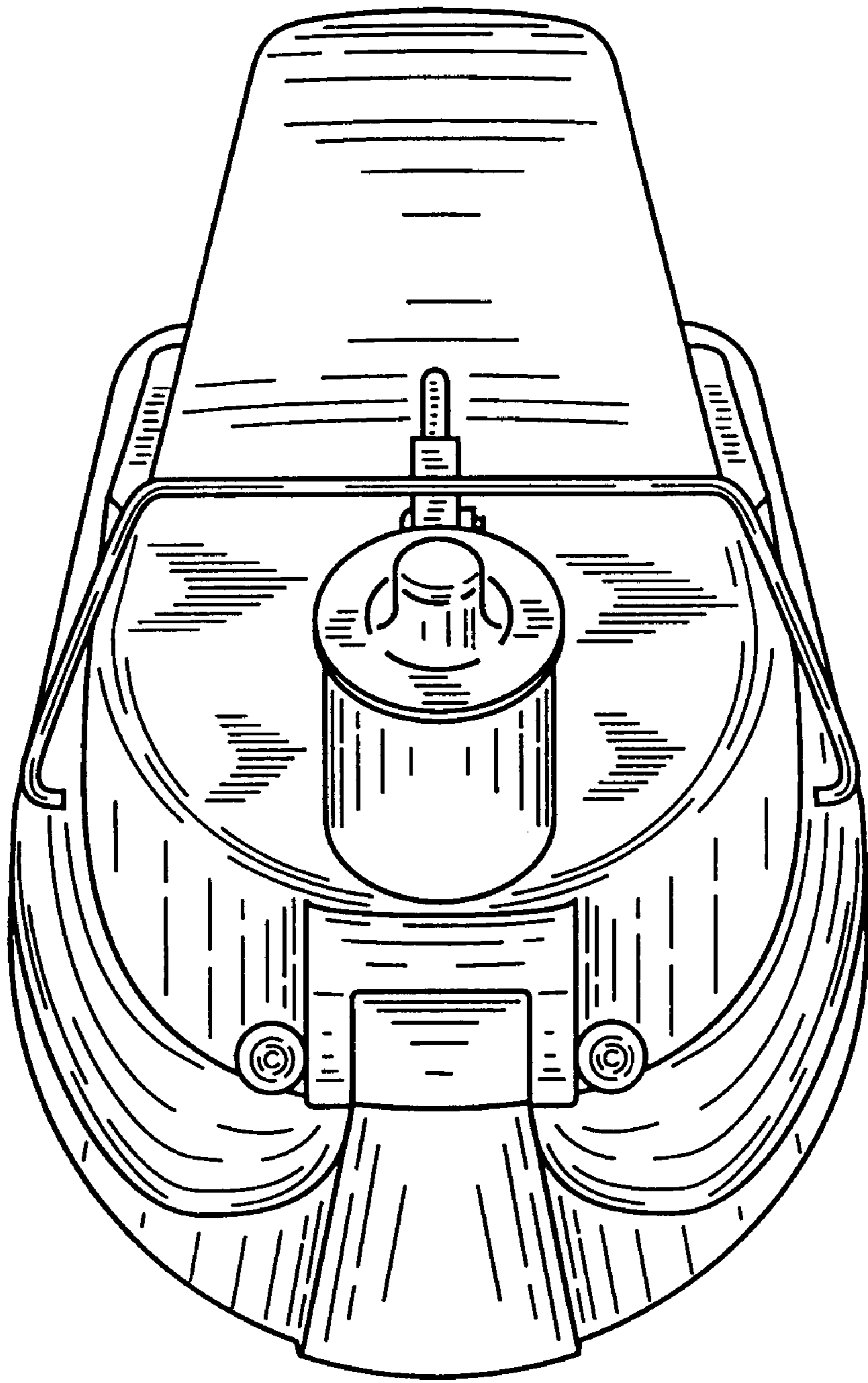


FIG. 6

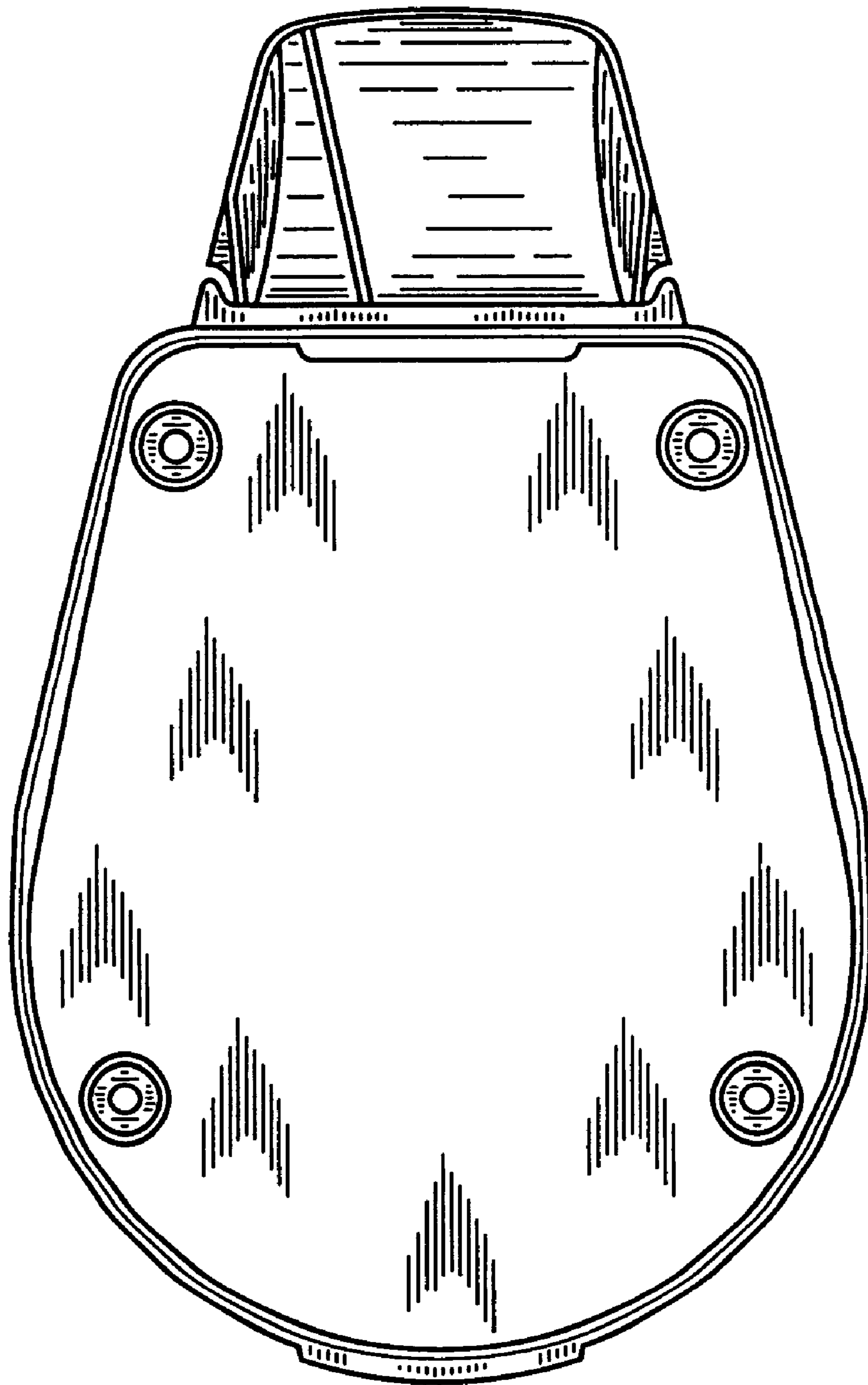


FIG. 7