



US00D438750S

(12) **United States Design Patent**
Mashburn et al.

(10) **Patent No.: US D438,750 S**

(45) **Date of Patent: ** Mar. 13, 2001**

(54) **BARBECUE COOKING DEVICE**

(76) Inventors: **James Mashburn**, 1201 E. Hill St.;
Jerry Mashburn, 1201 Hill St., both of
Long Beach, CA (US) 90806

(**) Term: **14 Years**

(21) Appl. No.: **29/113,351**

(22) Filed: **Nov. 2, 1999**

(51) **LOC (7) Cl. 07-02**

(52) **U.S. Cl. D7/335**

(58) **Field of Search** D7/332-337, 402,
D7/403; 126/25 R, 25 A, 25 AA, 25 B,
29-30, 9 R, 9 B, 39 R, 41 R, 26, 40, 50;
99/419, 421 R, 421 HV

(56) **References Cited**

U.S. PATENT DOCUMENTS

- D. 212,137 * 8/1968 Wiggins D7/335
- D. 223,642 * 5/1972 Shaper et al. D7/335
- D. 243,309 * 2/1977 Reunanen D7/335
- D. 262,178 * 12/1981 Barber D7/335
- D. 263,194 * 3/1982 Schwartz D7/335
- D. 292,163 * 10/1987 Mashburn et al. D7/337

- D. 302,778 * 8/1989 Tsai D7/335
- D. 428,561 * 7/2000 Johnson D7/335
- 3,785,361 * 1/1974 Mejyr et al. 126/41 R
- 5,158,067 * 10/1992 Dutro et al. 126/39 R
- 5,875,772 * 3/1999 Saey 126/25 R
- 5,893,357 * 4/1999 Royer et al. 126/9 R

* cited by examiner

Primary Examiner—Ruth McInroy

(74) *Attorney, Agent, or Firm*—Fulwider Patton Lee & Utecht, LLP

(57) **CLAIM**

The ornamental design of a barbecue cooking device, as shown.

DESCRIPTION

FIG. 1 is a perspective view of a barbecue cooking device showing our new design;
 FIG. 2 is a front elevational view thereof;
 FIG. 3 is a top plan view thereof;
 FIG. 4 is a bottom plan view thereof;
 FIG. 5 is a rear elevational view thereof;
 FIG. 6 is a side elevational view thereof; and,
 FIG. 7 is a perspective view thereof in a fully deployed state.

1 Claim, 2 Drawing Sheets

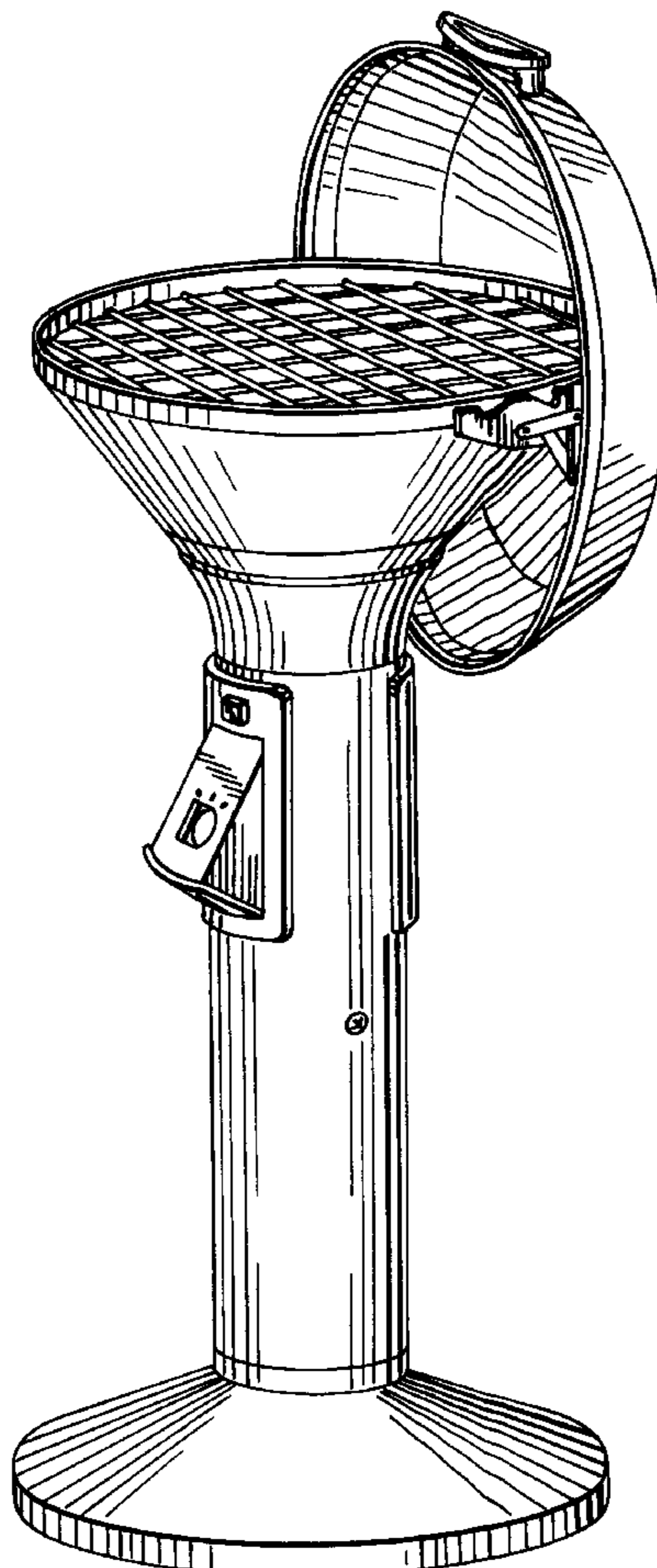


FIG. 1

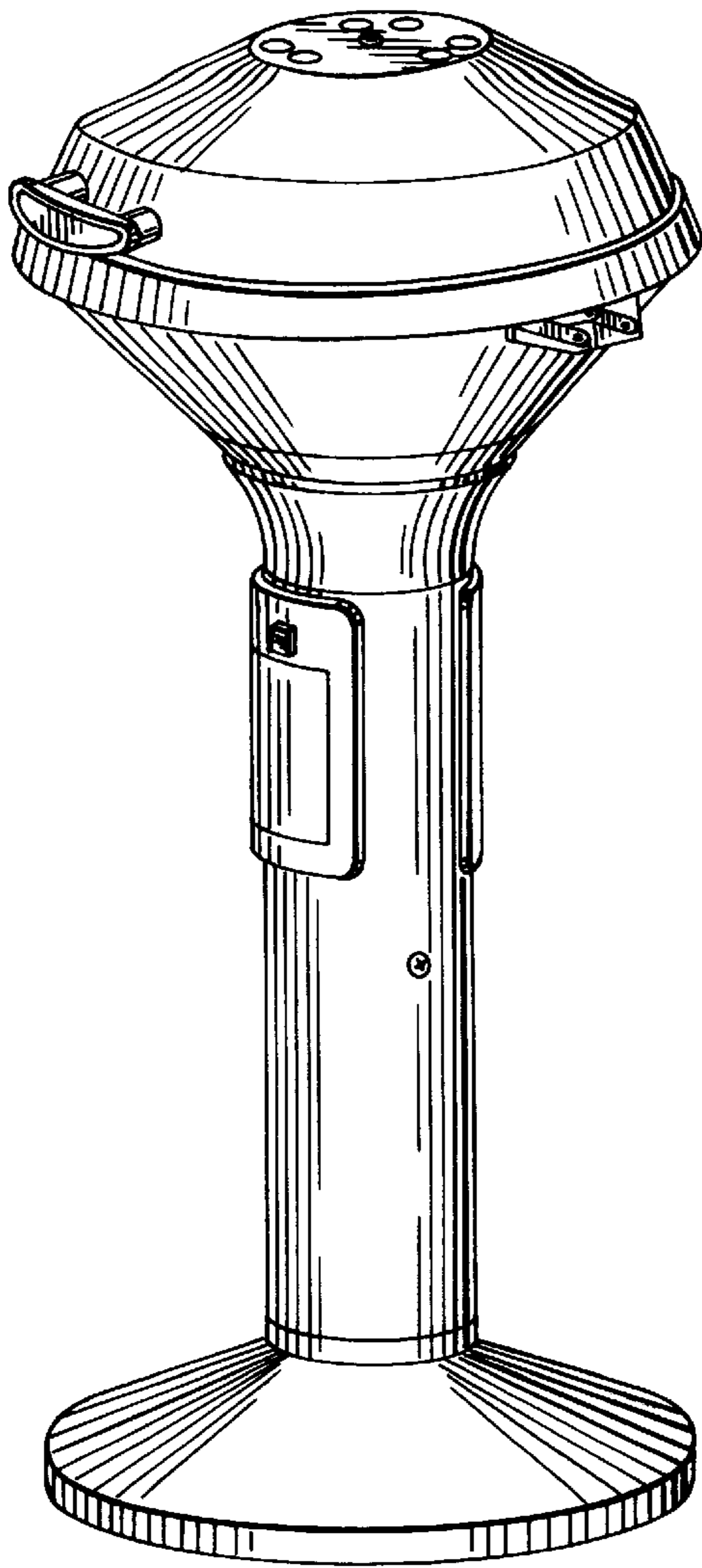


FIG. 2

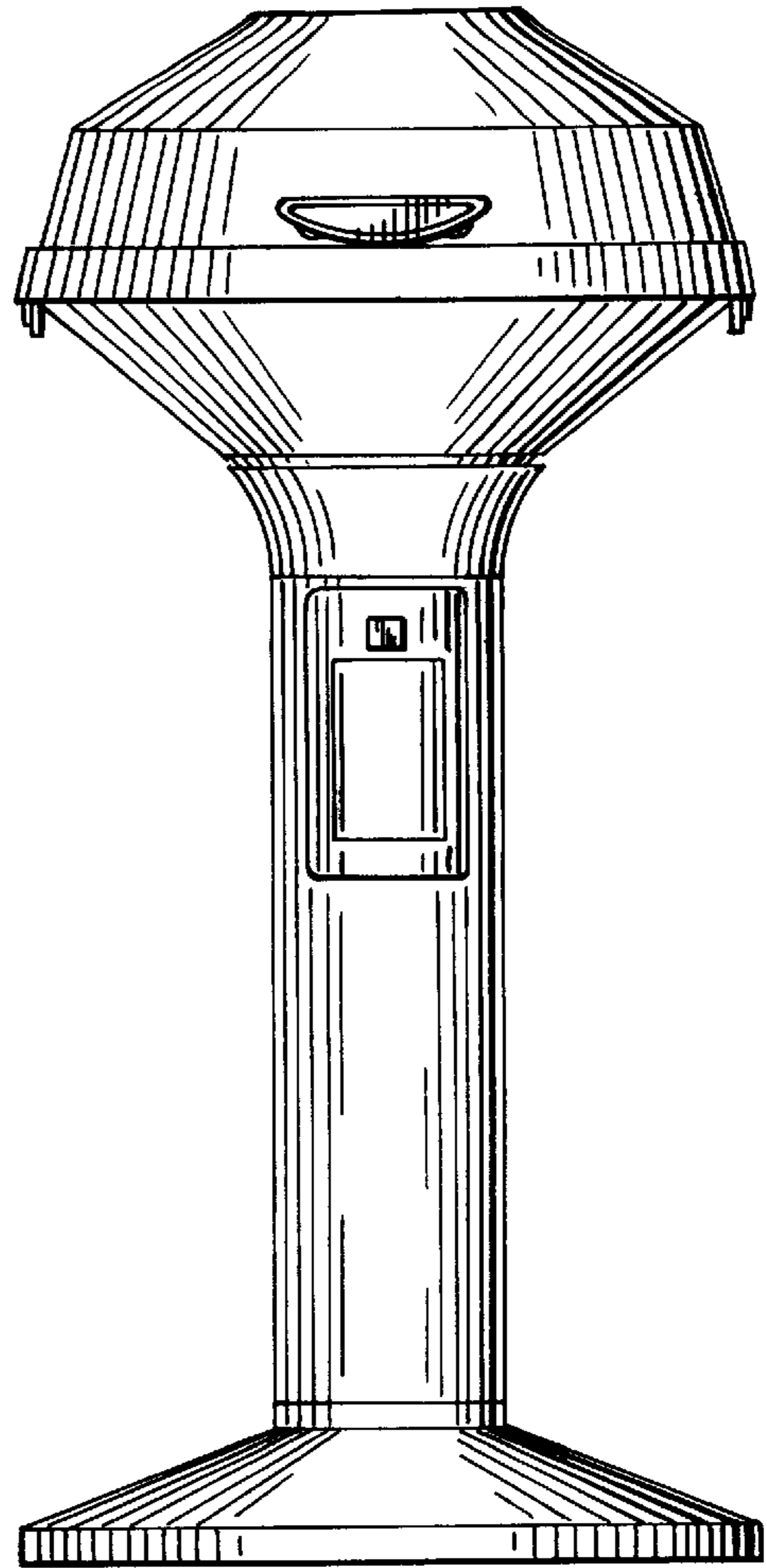


FIG. 3

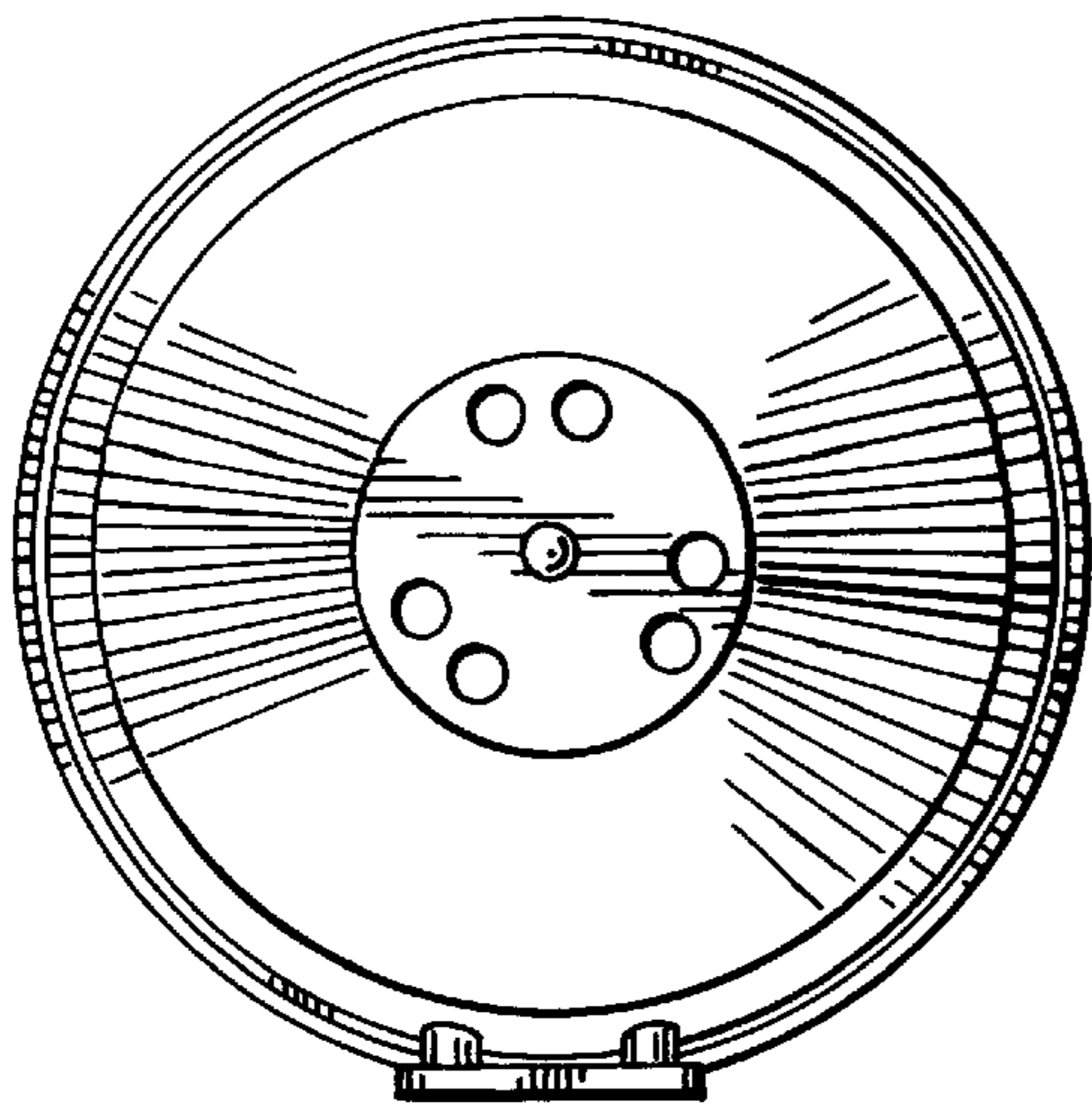
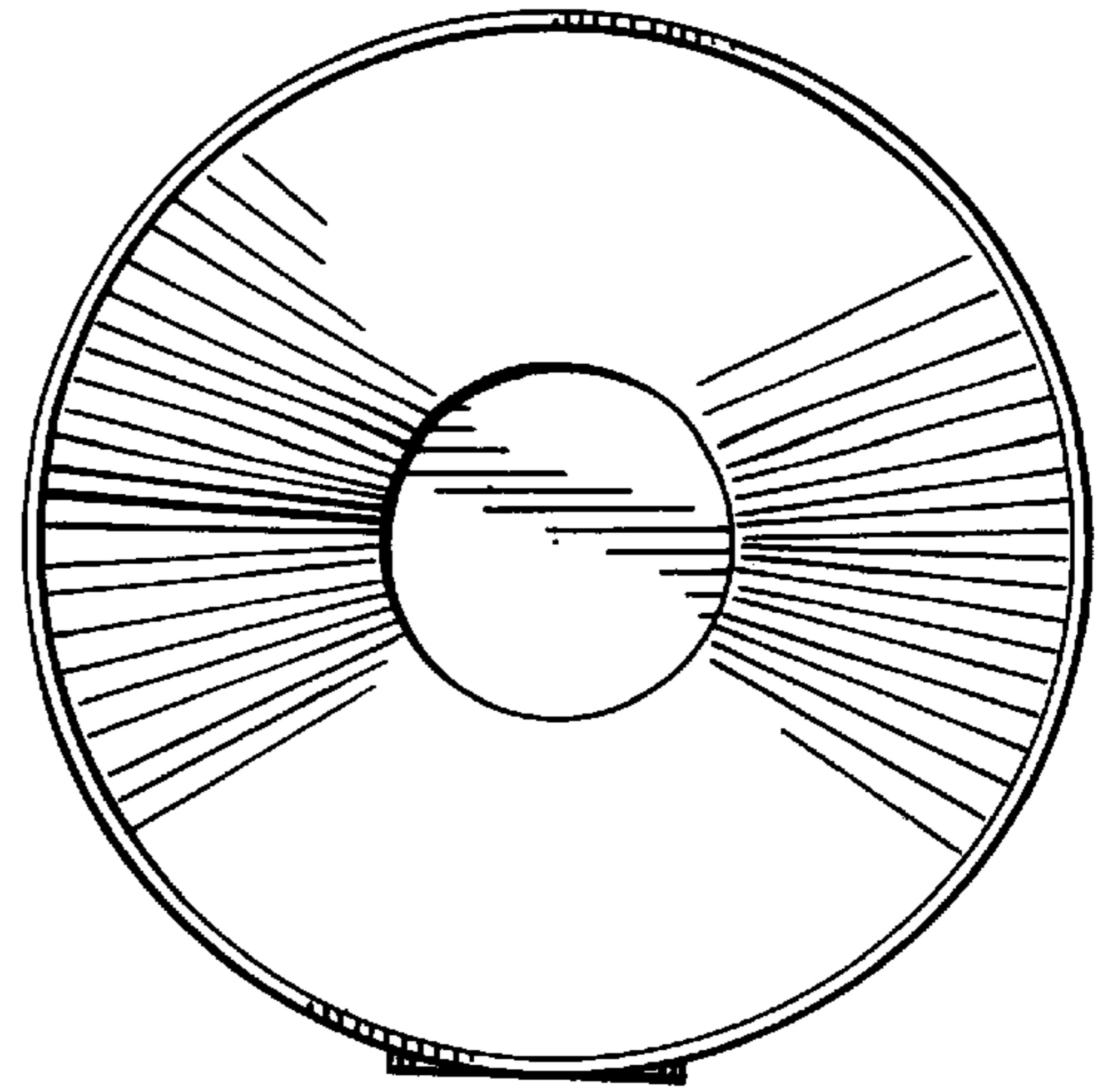


FIG. 4



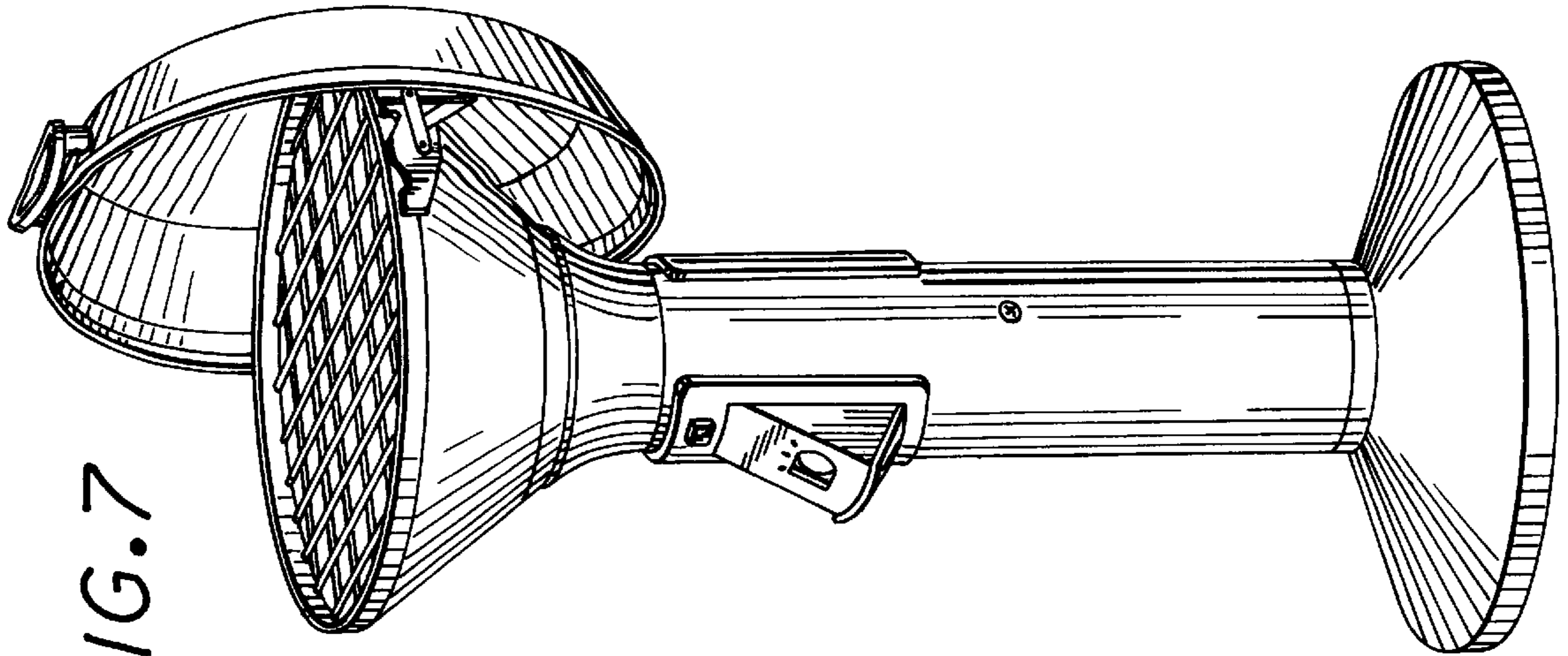


FIG. 7

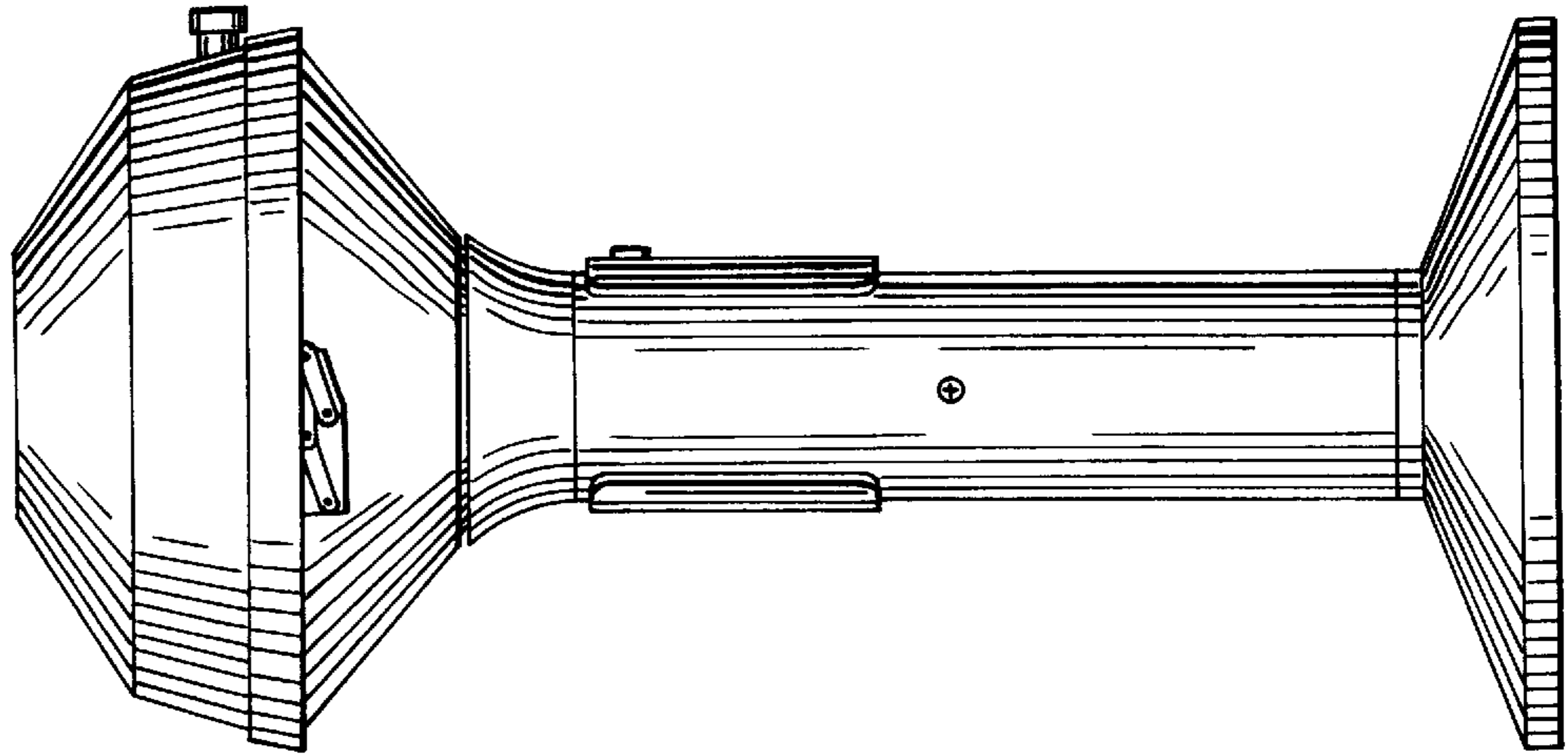


FIG. 6

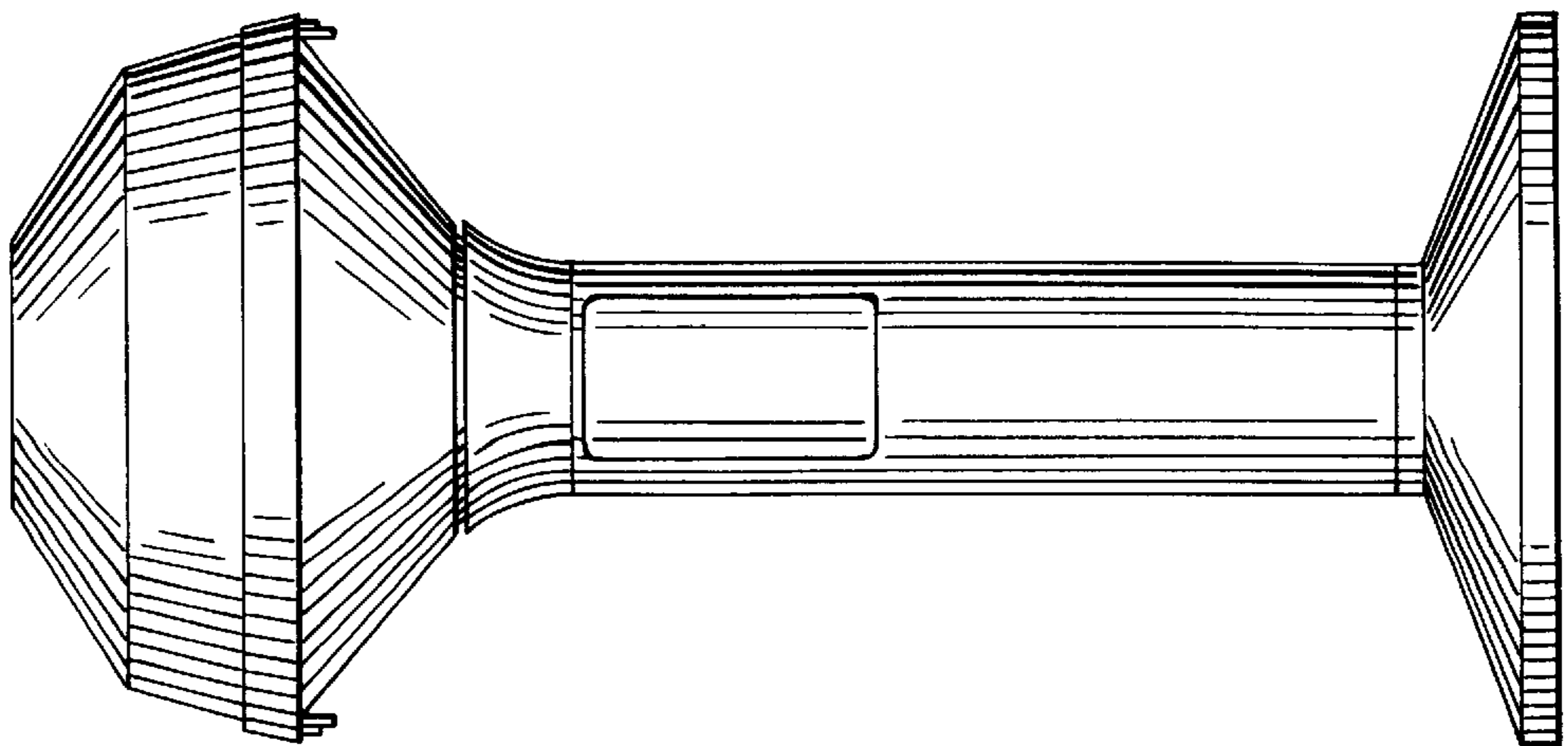


FIG. 5