



US00D438745S

(12) **United States Design Patent**
Krantz

(10) **Patent No.:** **US D438,745 S**

(45) **Date of Patent:** **** Mar. 13, 2001**

(54) **WINDOW VALANCE**

D. 366,173 1/1996 Oksakowski .

2,588,256 * 3/1952 Lepow 160/124

(75) Inventor: **Donna Krantz**, Greenville, SC (US)

* cited by examiner

(73) Assignee: **Richloom Home Fashions**, New York, NY (US)

Primary Examiner—Mitchell Siegel

(74) *Attorney, Agent, or Firm*—Carter, Ledyard & Milburn

(**) Term: **14 Years**

(57) **CLAIM**

(21) Appl. No.: **29/112,654**

The ornamental design for the window valance, as shown and described.

(22) Filed: **Oct. 22, 1999**

DESCRIPTION

(51) **LOC (7) Cl.** **06-10**

(52) **U.S. Cl.** **D6/579**

(58) **Field of Search** D6/575, 579, 580;
160/124, 236, 238, 330

FIG. 1 is a pictorial view of the window valance of the present invention from the right front side thereof; and FIG. 2 is a front view of the window valance shown in FIG. 1; and,

FIG. 3 is a left side view of the valance shown in FIG. 1, the right side view being a mirror image thereof.

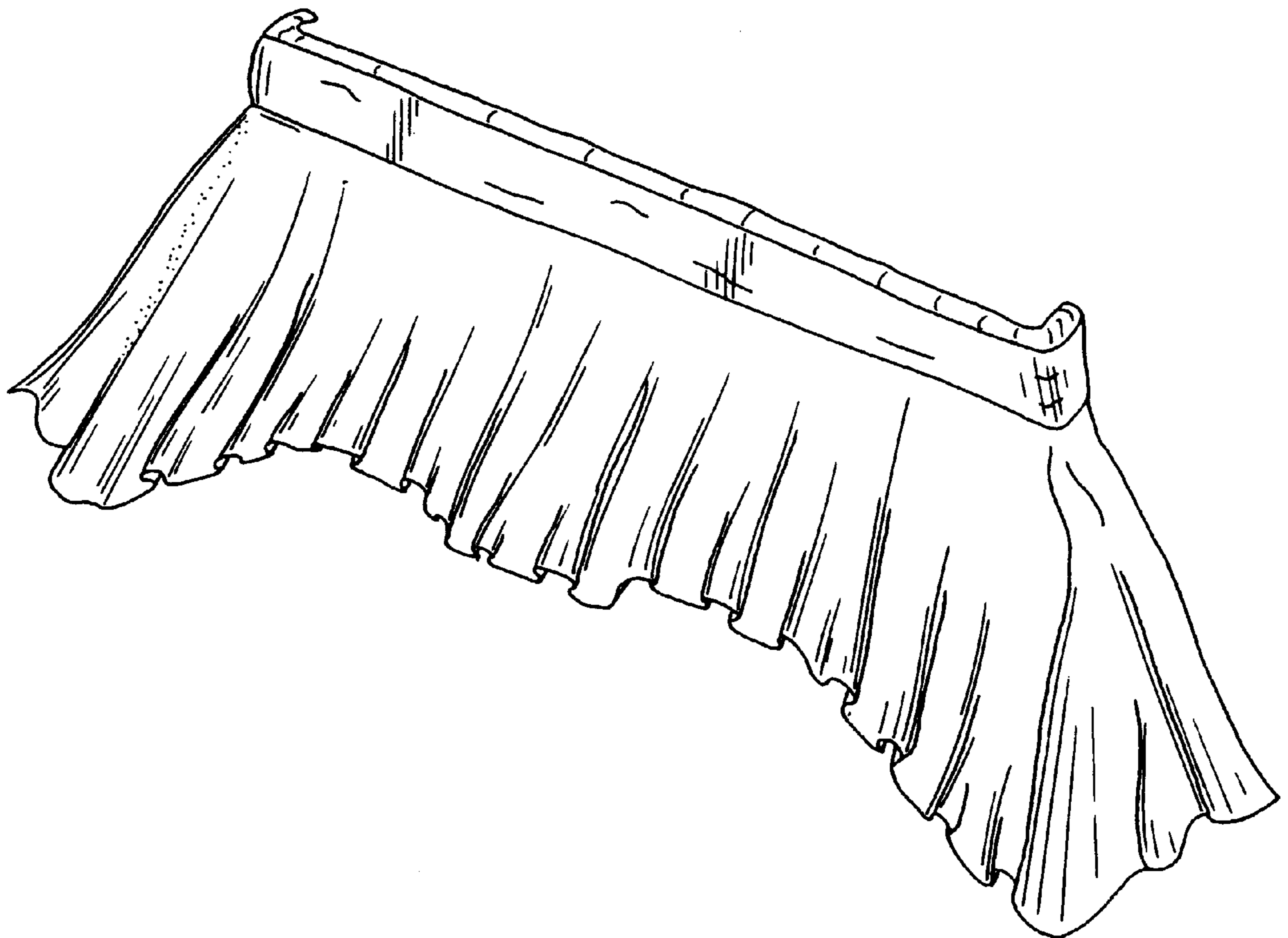
The position of some of the folds and stitched edges varies in the disclosure due to the flexible nature of the design. The undisclosed back, top and bottom form no part of the claimed design.

(56) **References Cited**

U.S. PATENT DOCUMENTS

- D. 37,909 * 3/1906 Boubel D6/579
- D. 168,135 11/1952 Yorkavage .
- D. 274,479 7/1984 Petillo .
- D. 319,750 9/1991 Scarpelos .
- D. 354,648 * 1/1995 Wagner D6/579
- D. 360,553 7/1995 Oksakowski .

1 Claim, 1 Drawing Sheet



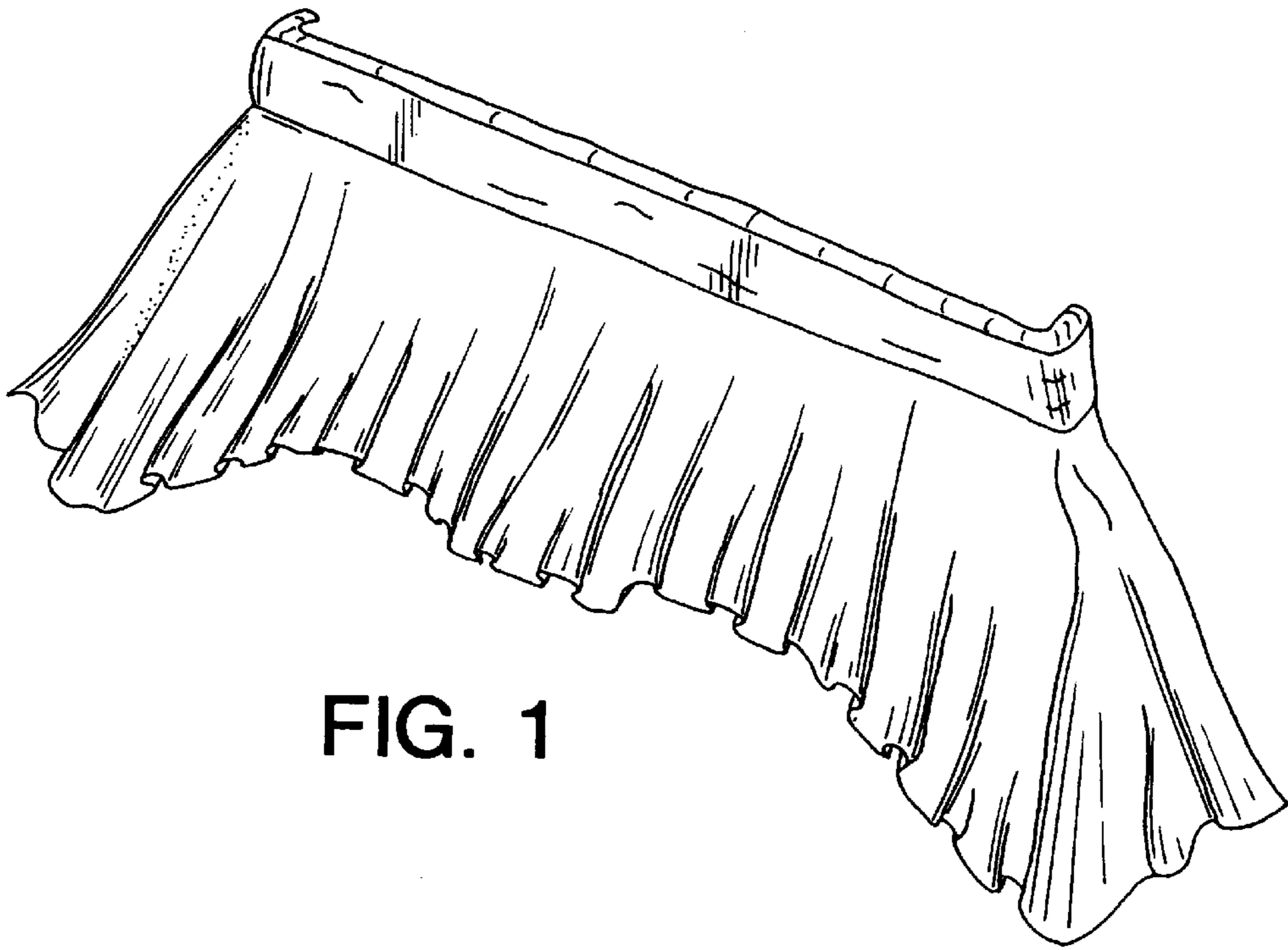


FIG. 1

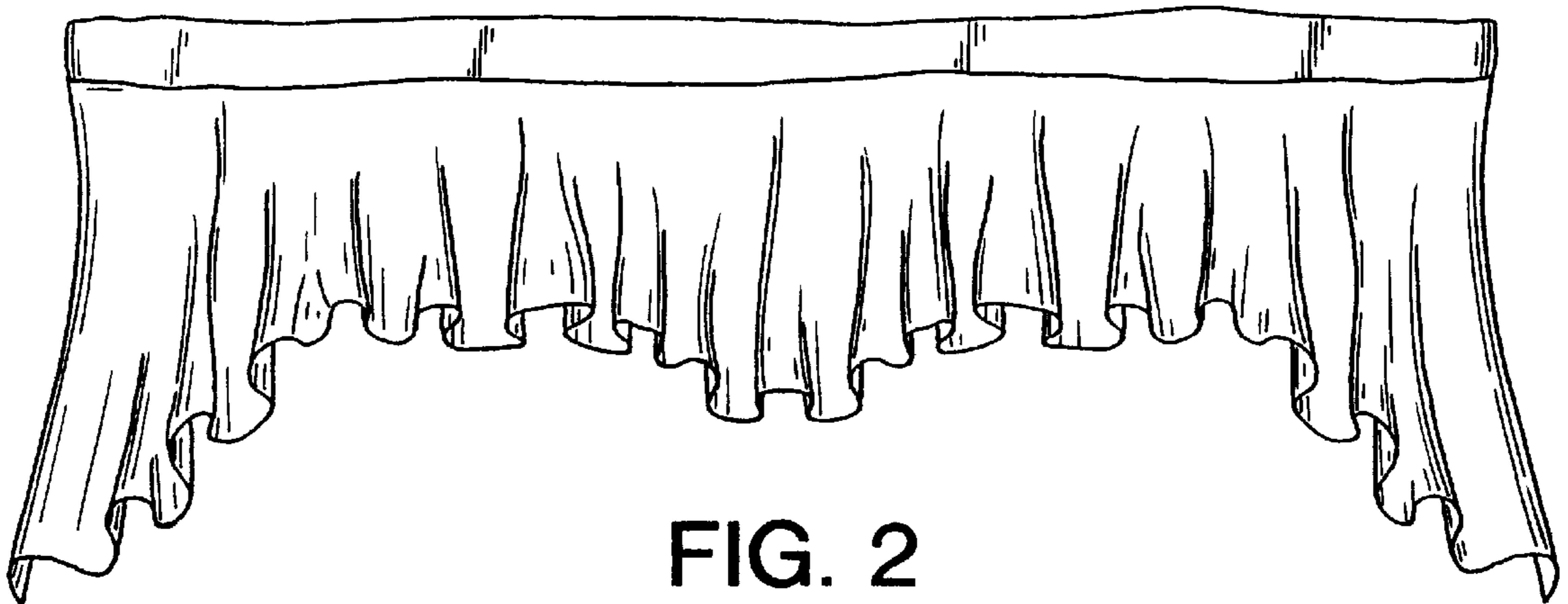


FIG. 2



FIG. 3