



US00D438742S

(12) **United States Design Patent**  
**Ali et al.**

(10) **Patent No.:** **US D438,742 S**  
(45) **Date of Patent:** **\*\* Mar. 13, 2001**

(54) **RACK FOR SUPPORTING DISCS OR THE LIKE**

(76) Inventors: **Terry Ali; Christopher Ali; Phillip Glenn Ali**, all of 611 Yellow Springs-Fairfield Rd., Fairborn, OH (US) 45324

(\*\*) Term: **14 Years**

(21) Appl. No.: **29/109,610**

(22) Filed: **Aug. 18, 1999**

(51) **LOC (7) Cl.** ..... **06-04**

(52) **U.S. Cl.** ..... **D6/567**

(58) **Field of Search** ..... D6/552, 567, 574, D6/407, 627; 206/207, 307, 308.1, 308.3, 387.1, 349, 449; 211/13.1, 41.1, 41.12, 44, 71, 86-90, 126.1, 134

(56) **References Cited**

**U.S. PATENT DOCUMENTS**

- D. 340,826 \* 11/1993 Deom ..... D6/567
- D. 393,005 \* 3/1998 Devito ..... D6/407 X
- 4,424,906 \* 1/1984 Richmond ..... 206/449 X
- 4,687,094 \* 8/1987 Allsop et al. .... 211/88 X

5,704,494 \* 1/1998 Nishikiori et al. .... 211/41.12

\* cited by examiner

*Primary Examiner*—Brian N. Vinson

(74) *Attorney, Agent, or Firm*—R. William Graham

(57) **CLAIM**

The ornamental design for a rack for supporting discs or the like, as shown and described.

**DESCRIPTION**

FIG. 1 is a perspective view of a rack for supporting discs or the like showing our new design;

FIG. 2 is a reduced perspective view of a rack for supporting discs or the like of FIG. 1, with the broken-line disclosure of a number of discs and rack support being for illustrative purposes only and forming no part of the claimed design;

FIG. 3 is a top view of a rack for supporting discs or the like of FIG. 1;

FIG. 4 is a bottom view of a rack for supporting discs or the like of FIG. 1;

FIG. 5 is a front view of a rack for supporting discs or the like of FIG. 1;

FIG. 6 is a rear view of a rack for supporting discs or the like of FIG. 1; and,

FIG. 7 is a side view of a rack for supporting discs or the like of FIG. 1.

**1 Claim, 3 Drawing Sheets**

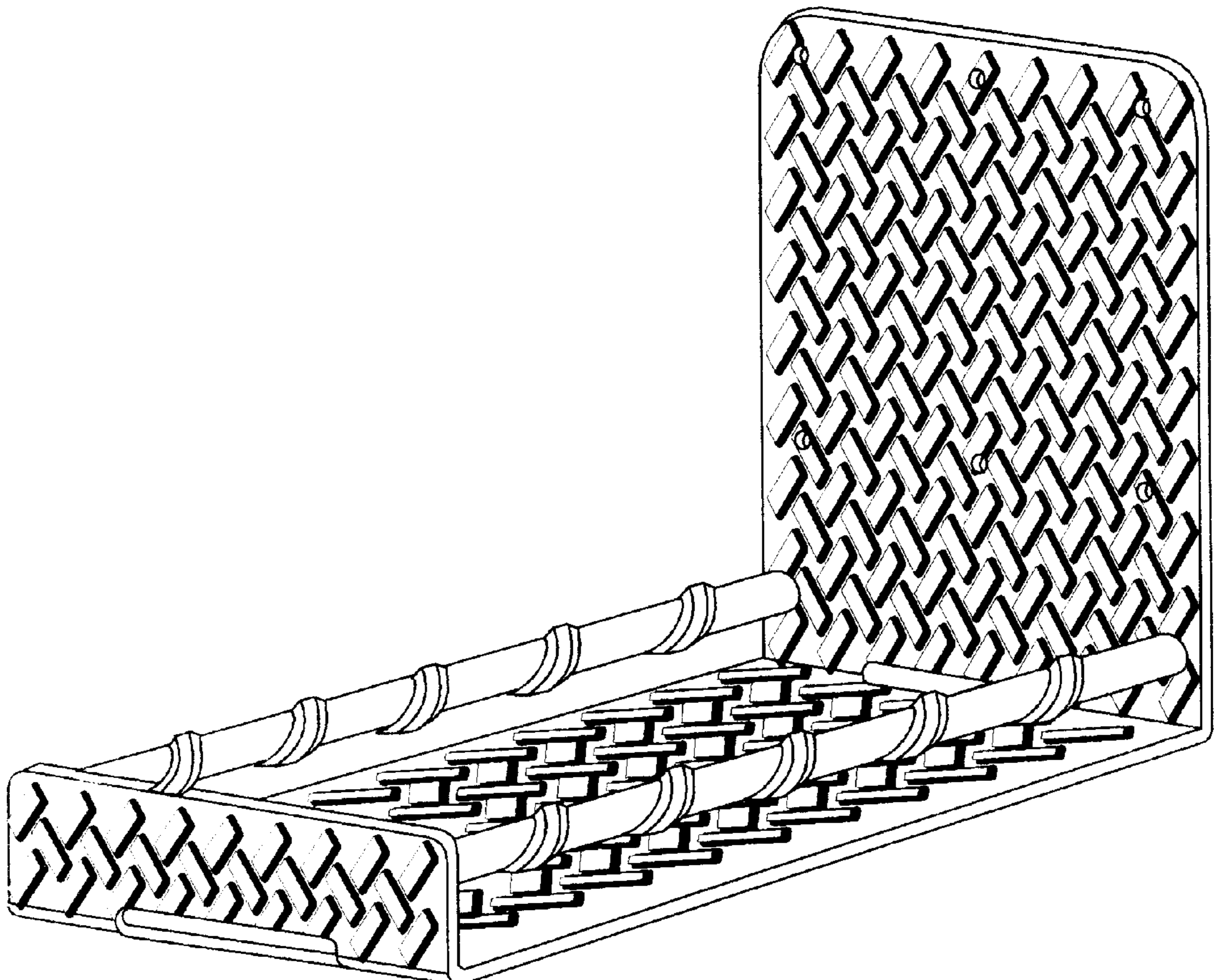


Fig. 1

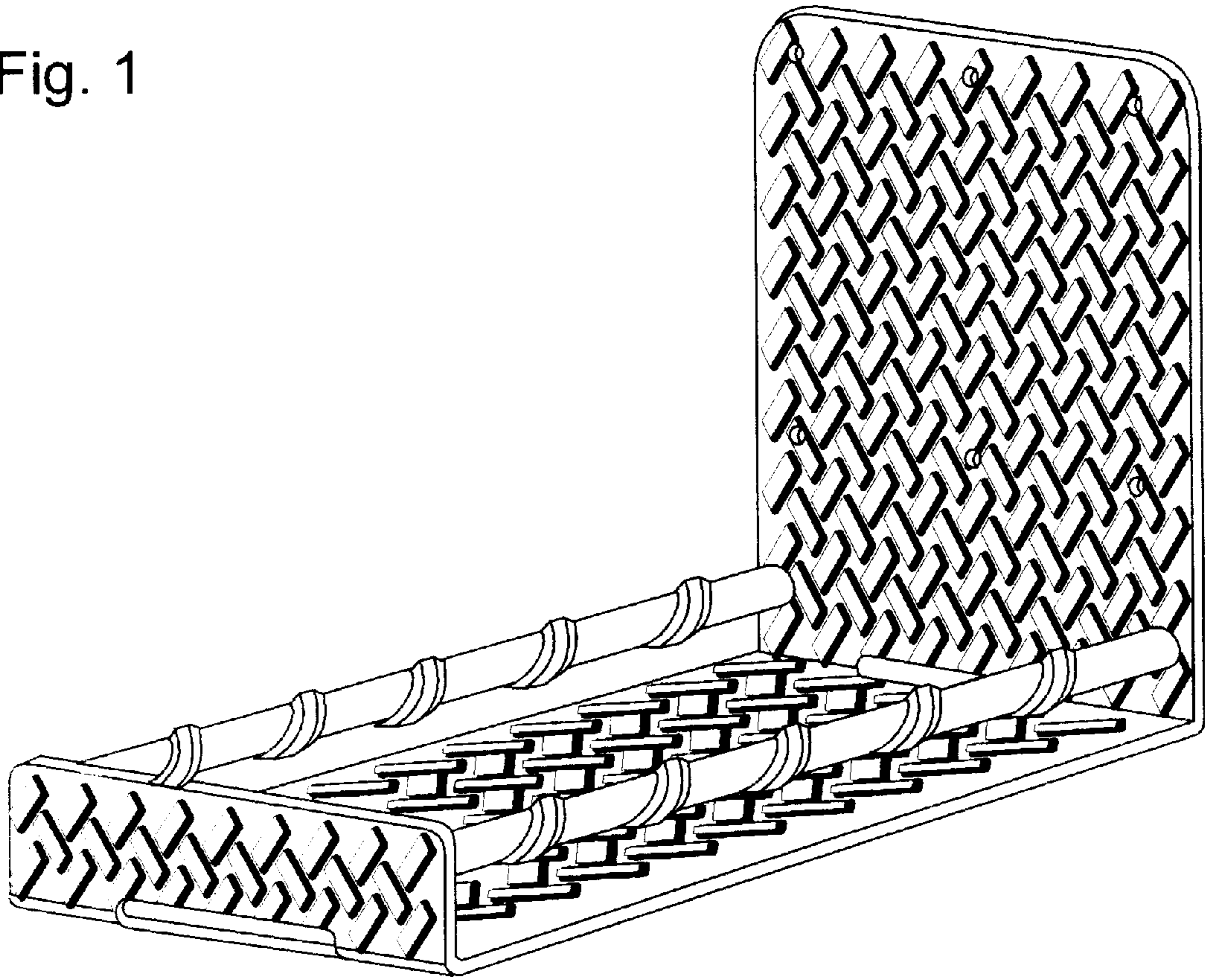
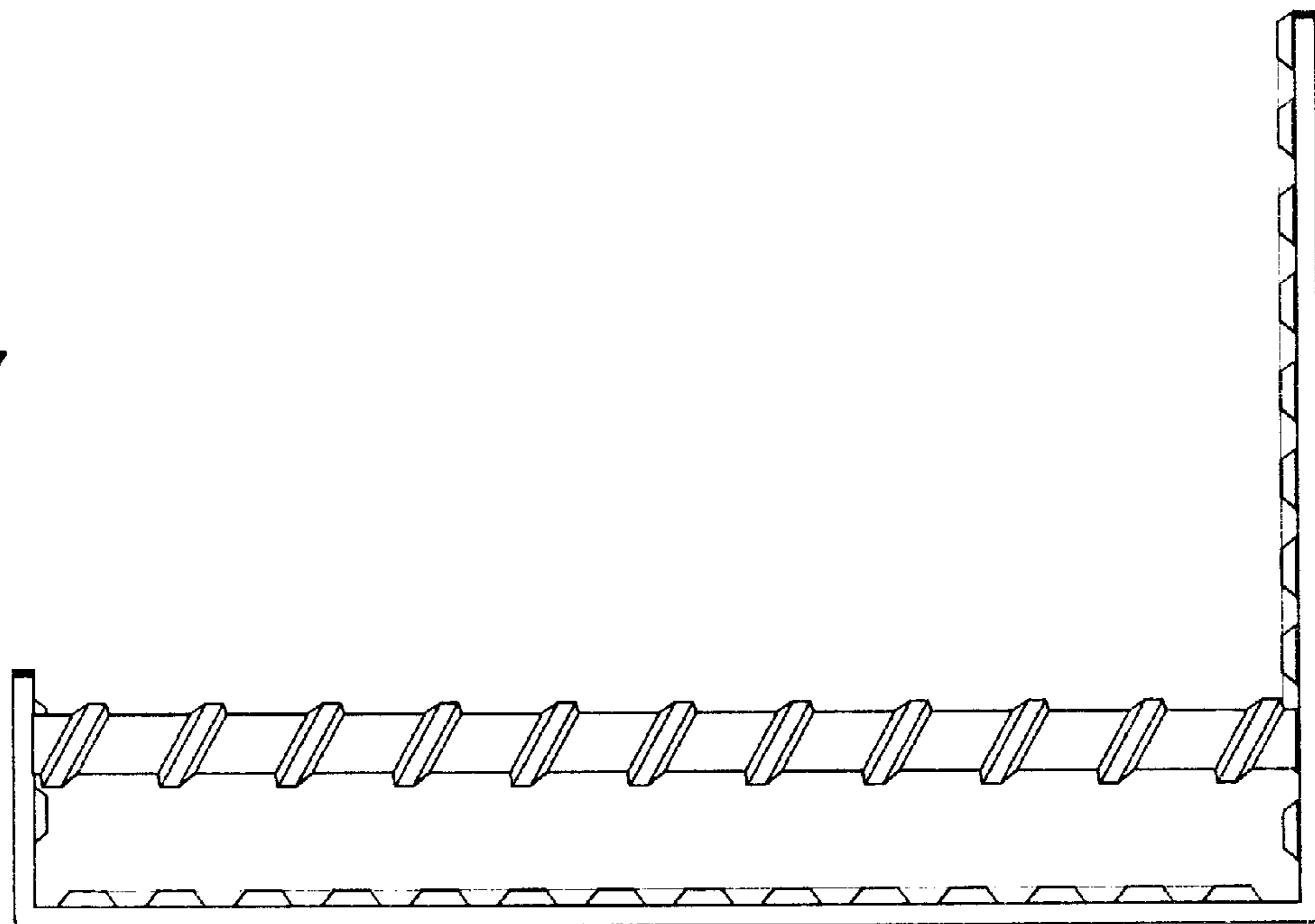


Fig. 7



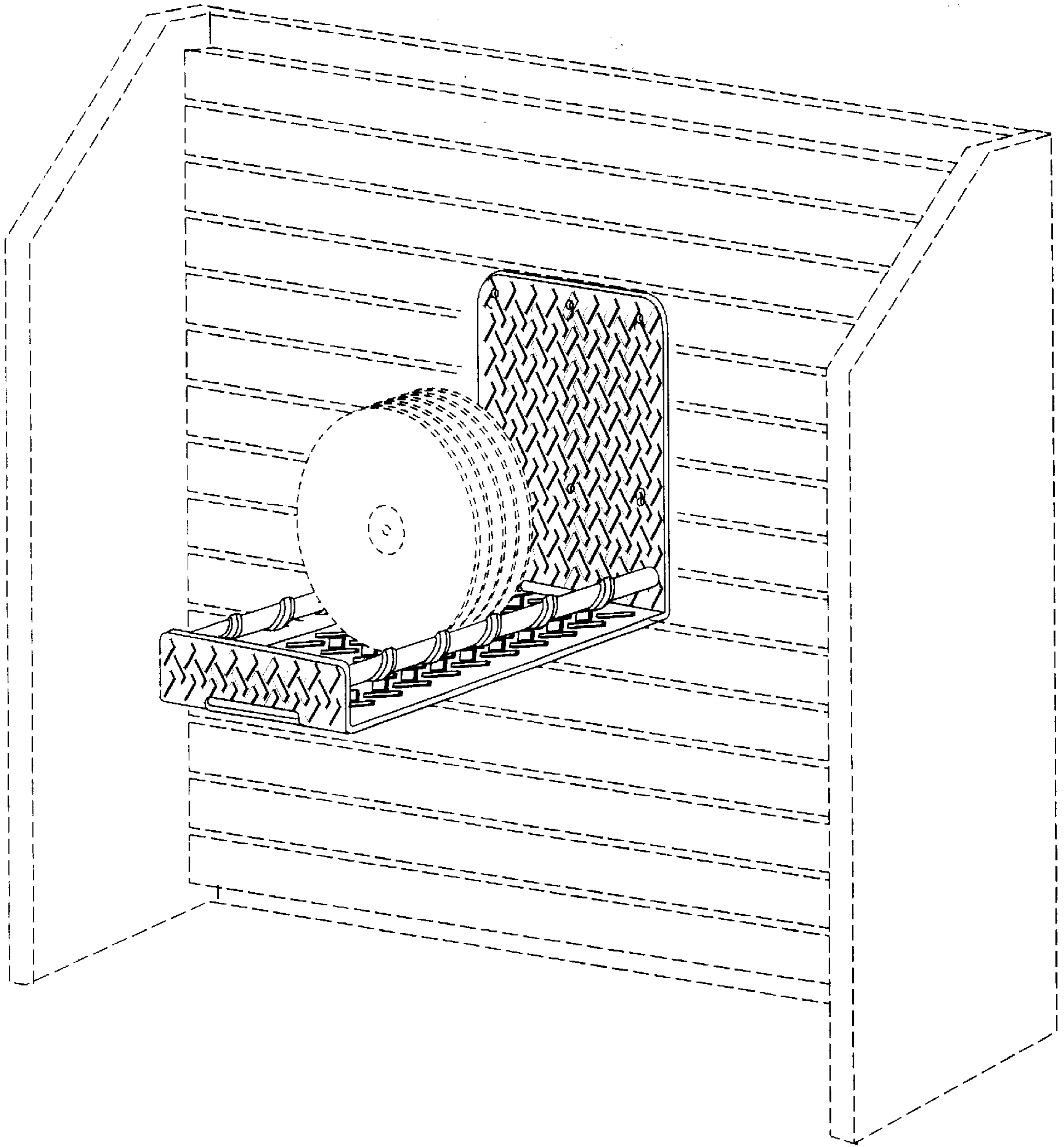


Fig. 2

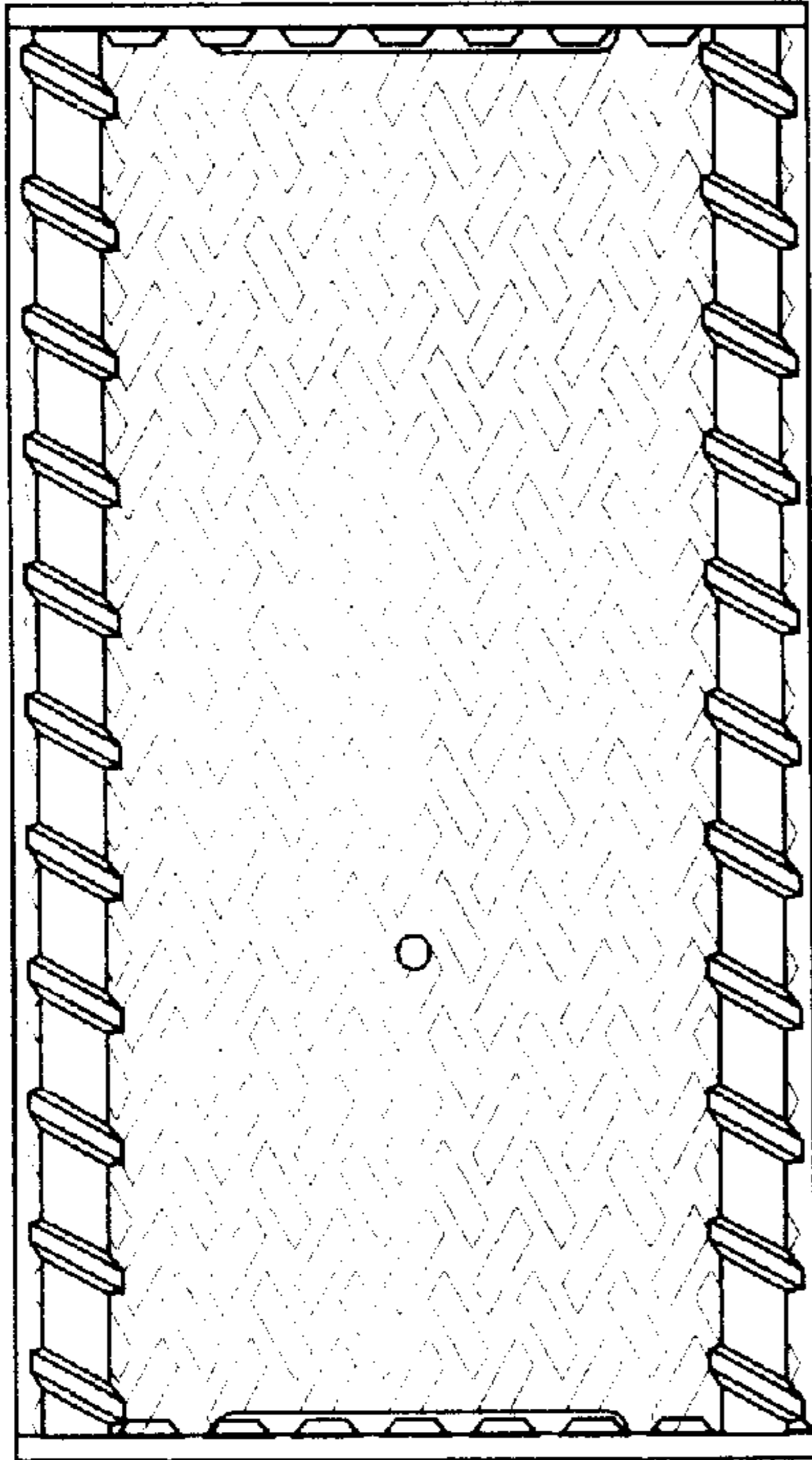


Fig. 3

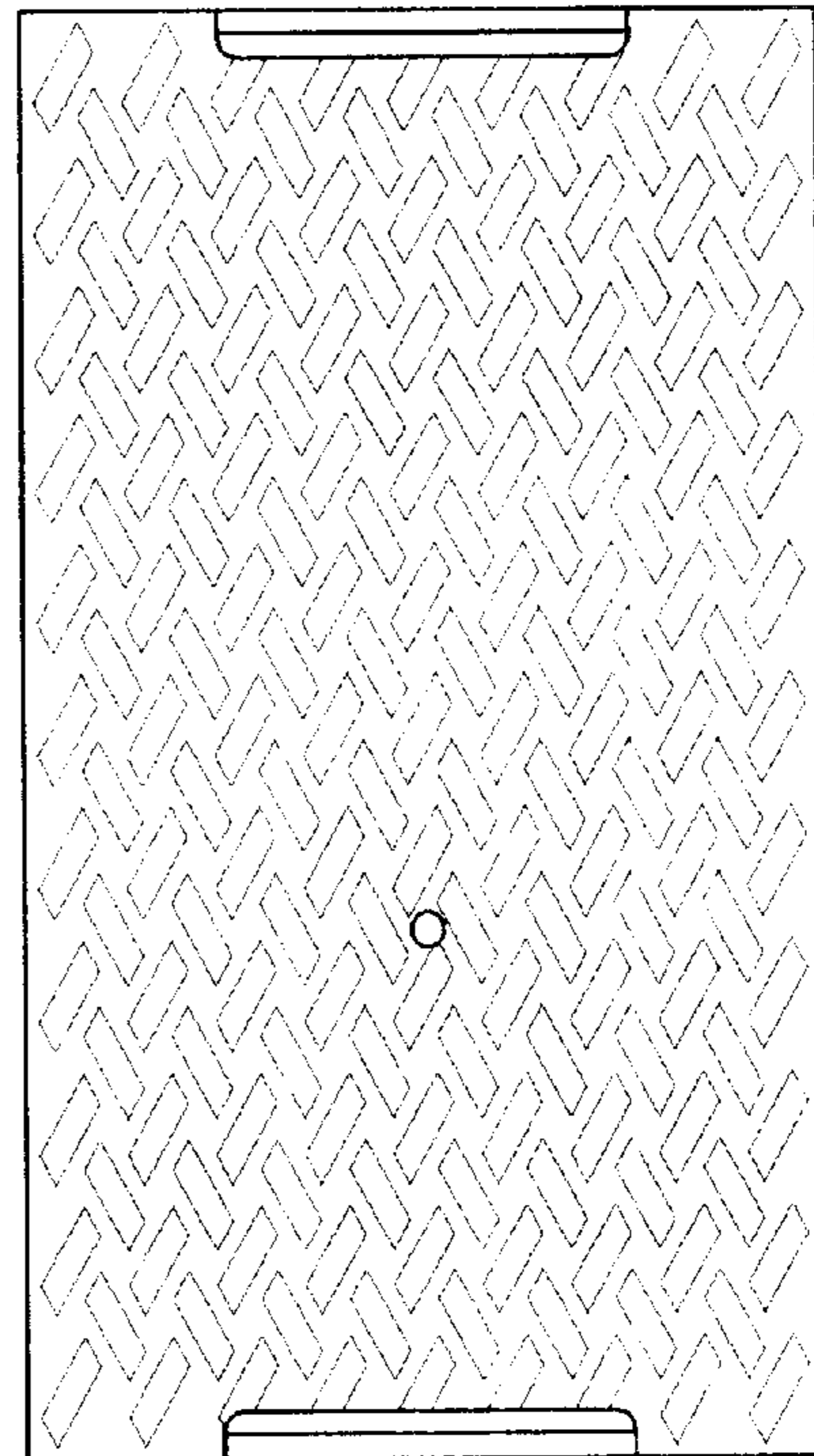


Fig. 4

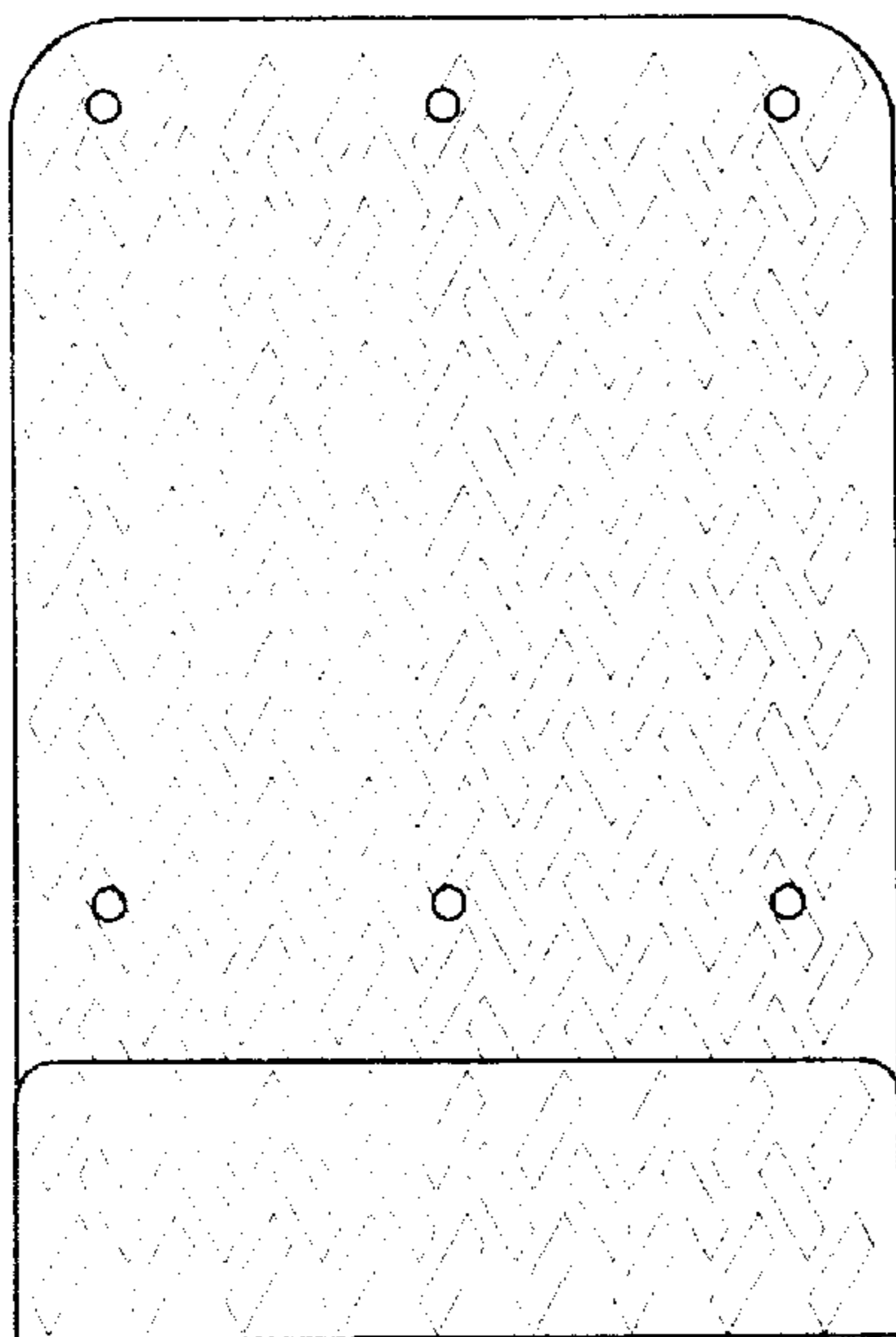


Fig. 5

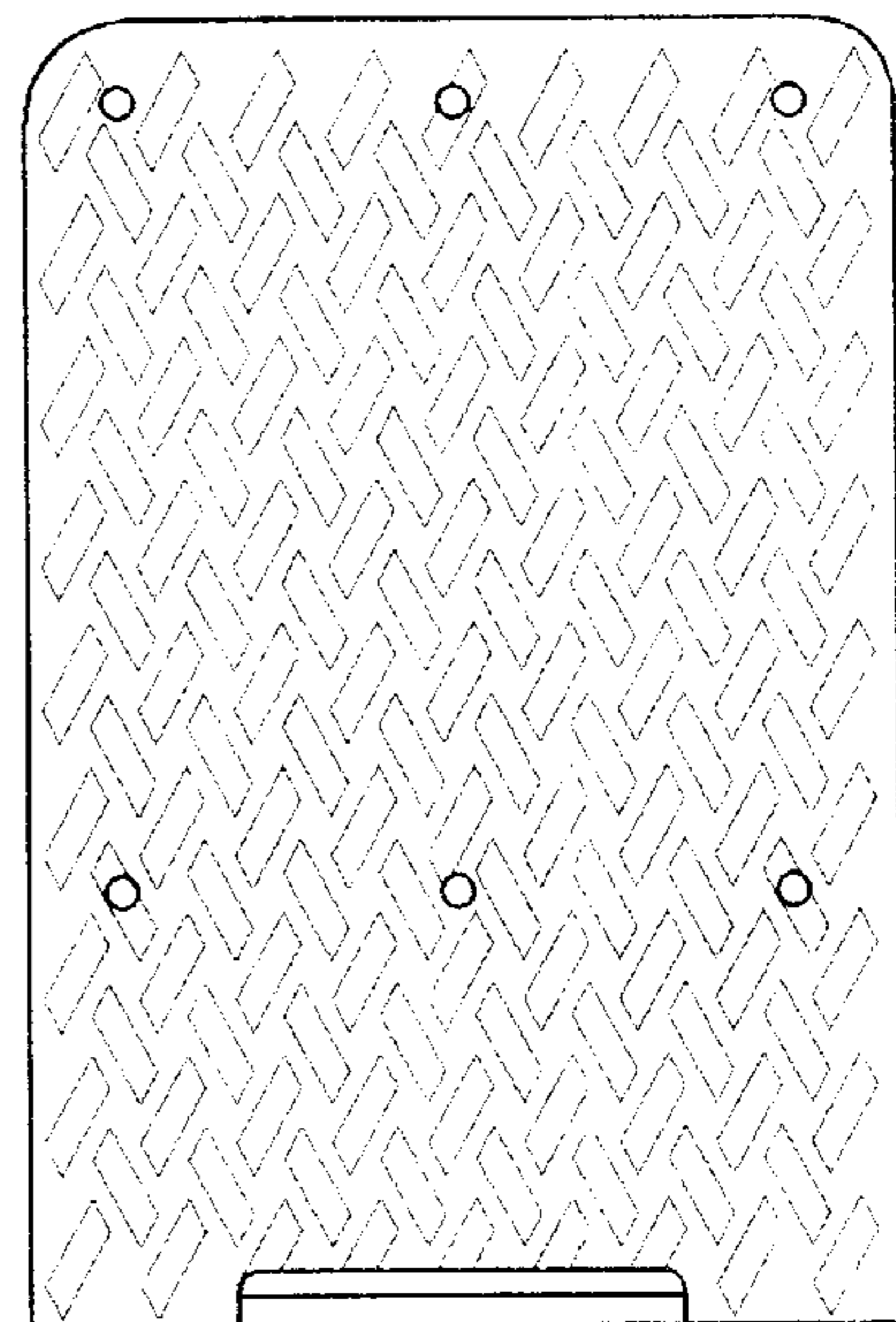


Fig. 6