



US00D438740S

(12) **United States Design Patent**  
**Donnell**

(10) **Patent No.:** **US D438,740 S**

(45) **Date of Patent:** **\*\* Mar. 13, 2001**

(54) **CONTAINER AND DISPENSER FOR LIQUID**

(76) **Inventor:** **Gregory J. Donnell**, R.D. 1 Box 245D,  
Franklin, NY (US) 13775

(\*\*) **Term:** **14 Years**

(21) **Appl. No.:** **29/116,759**

(22) **Filed:** **Jan. 10, 2000**

(51) **LOC (7) Cl.** ..... **23-02**

(52) **U.S. Cl.** ..... **D6/542**

(58) **Field of Search** ..... D6/542, 524; 206/77.1,  
206/207-210; 222/173; 248/309.1; 224/400;  
211/74, 13.1

(56) **References Cited**

**U.S. PATENT DOCUMENTS**

- D. 247,940 \* 5/1978 Tobin ..... D6/542
- D. 293,352 \* 12/1987 Calkin ..... D21/630
- D. 341,973 \* 12/1993 Gerstmar ..... D6/542
- 4,754,883 \* 7/1988 Grzywa ..... 224/400

**OTHER PUBLICATIONS**

Vahann Catlaogue p. 15 Modular Bath Set (1981).\*

\* cited by examiner

*Primary Examiner*—Brian N. Vinson

(74) *Attorney, Agent, or Firm*—George R. McGuire;  
Hancock & Estabrook, LLP

(57) **CLAIM**

The ornamental design for a container and dispenser for liquid, as shown and described.

**DESCRIPTION**

FIG. 1 is a perspective view illustrating my new design for a container and dispenser for a liquid, with the tray, cap and straw being shown in phantom for illustrative purposes only and forms no part of the claimed design;

FIG. 2 is a front elevational view thereof;

FIG. 3 is a top plan view thereof;

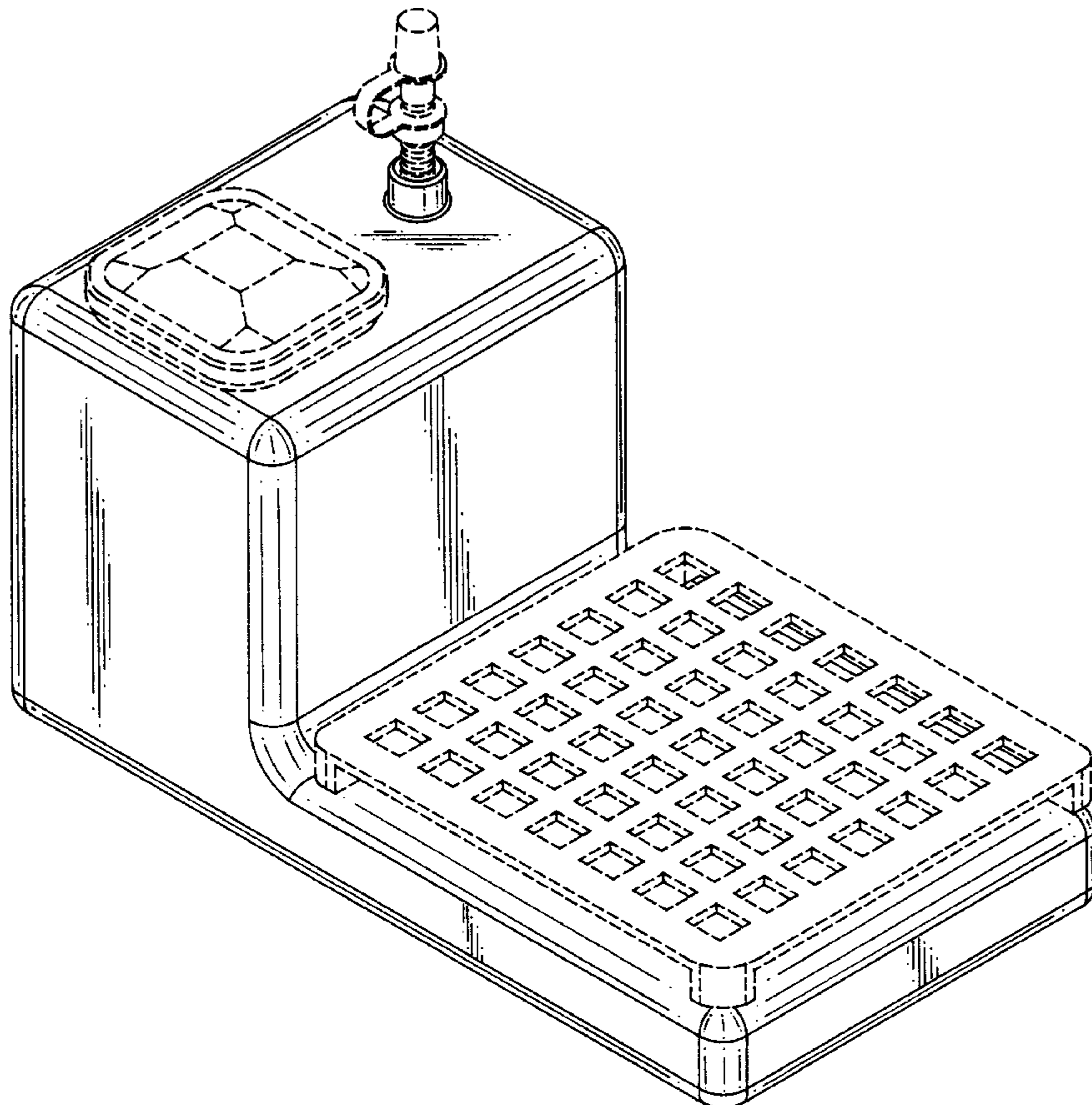
FIG. 4 is a rear elevational view thereof;

FIG. 5 is a right side elevational view thereof;

FIG. 6 is a bottom plan view thereof; and,

FIG. 7 is a left side elevational view thereof.

**1 Claim, 4 Drawing Sheets**



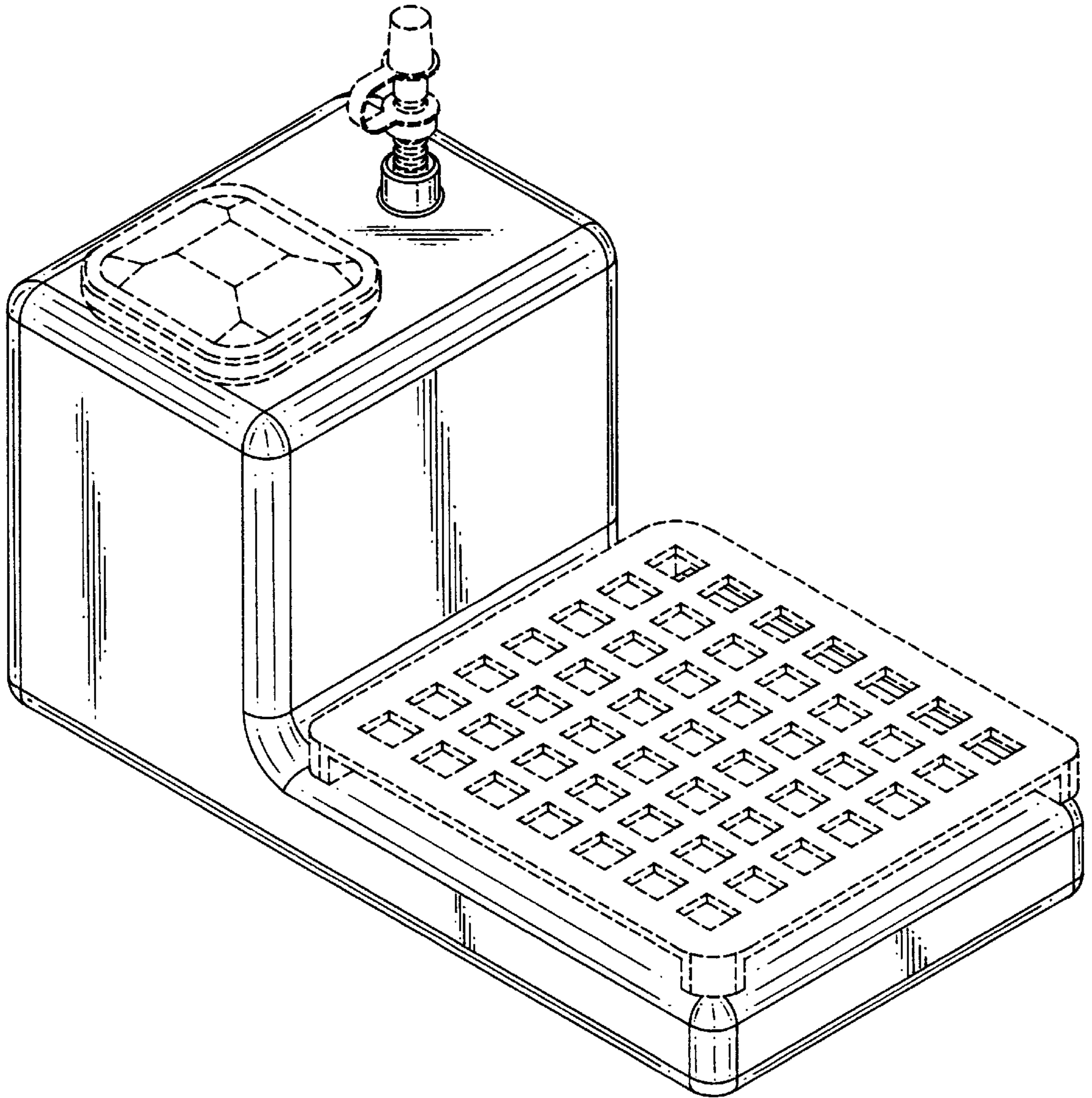
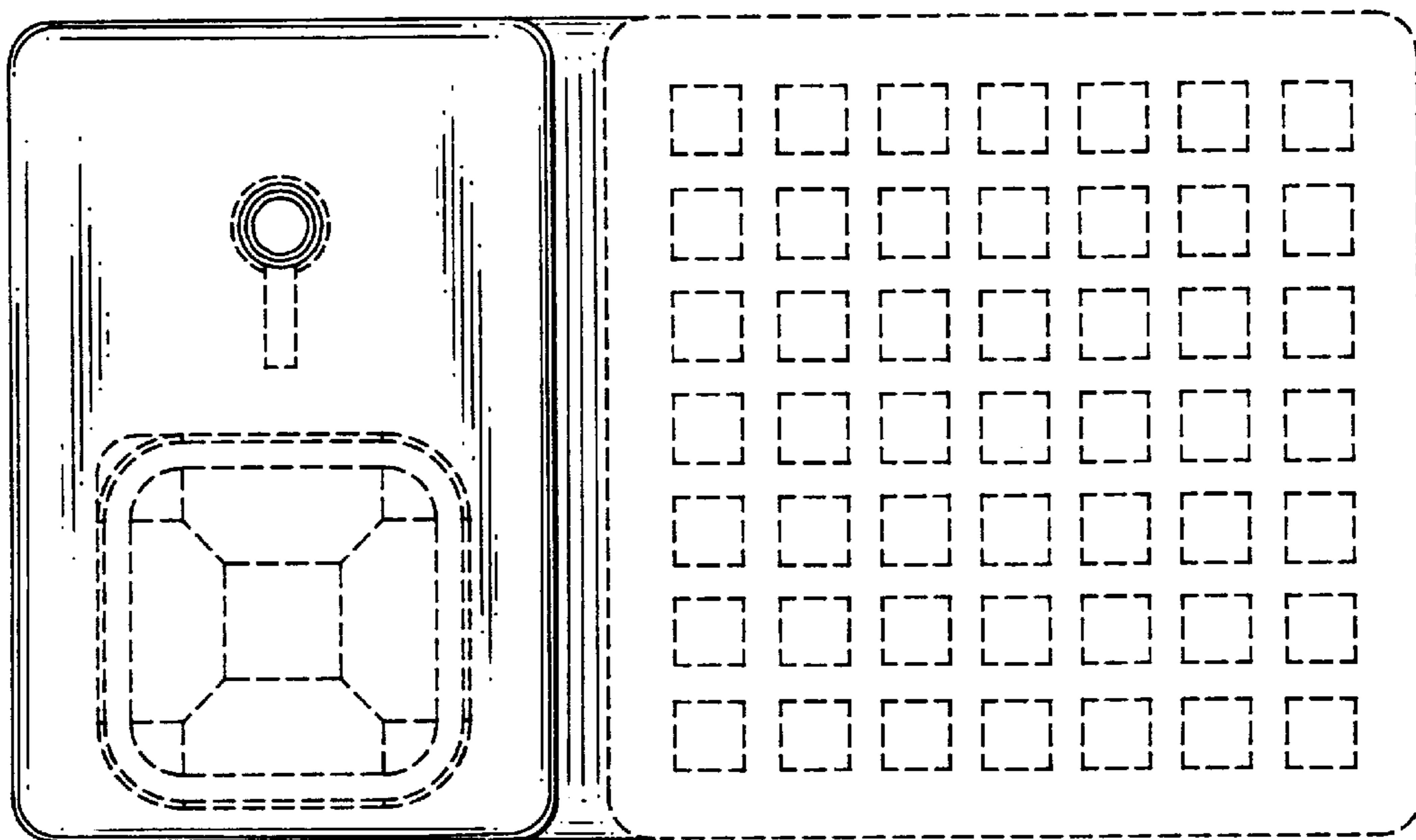
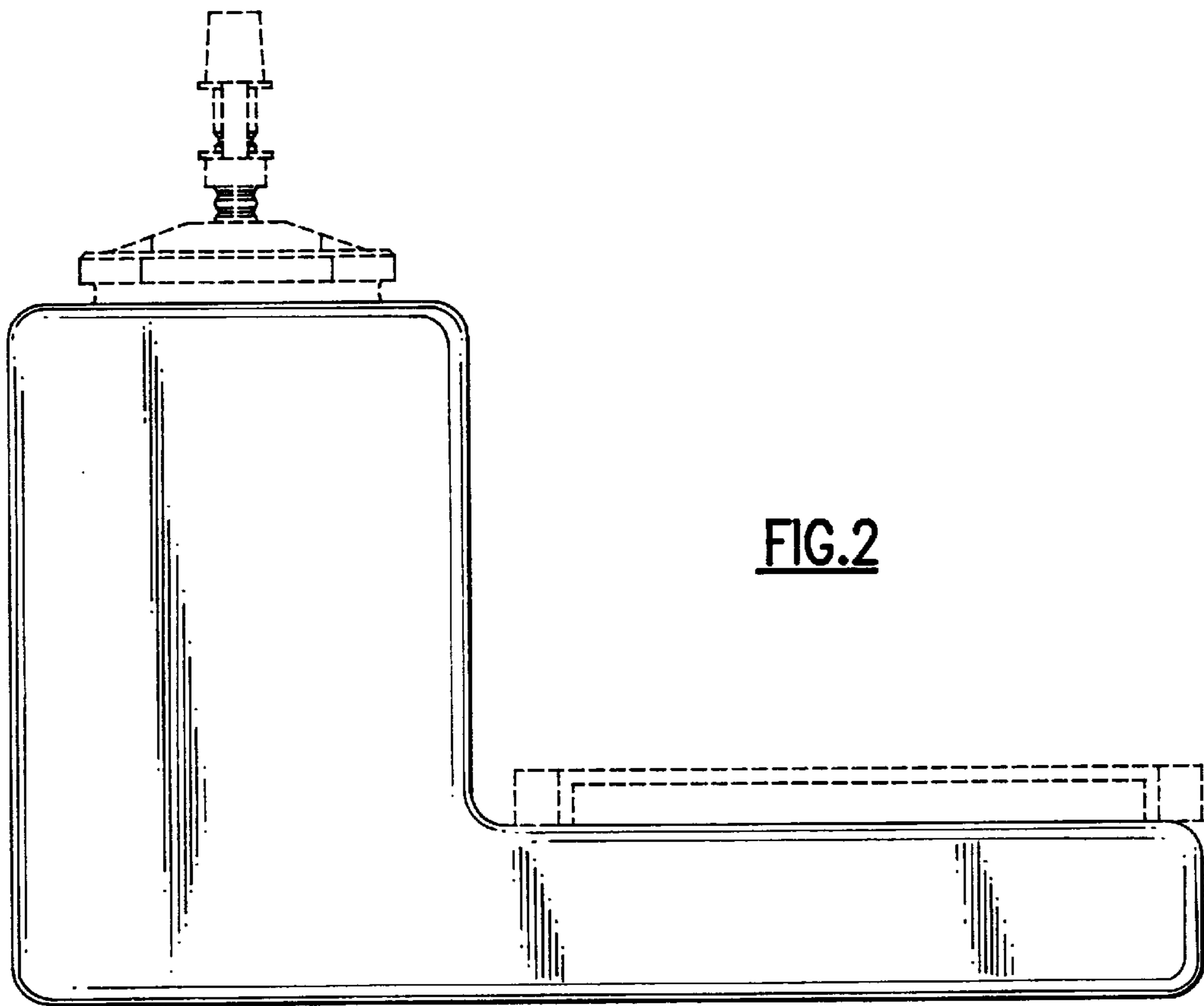
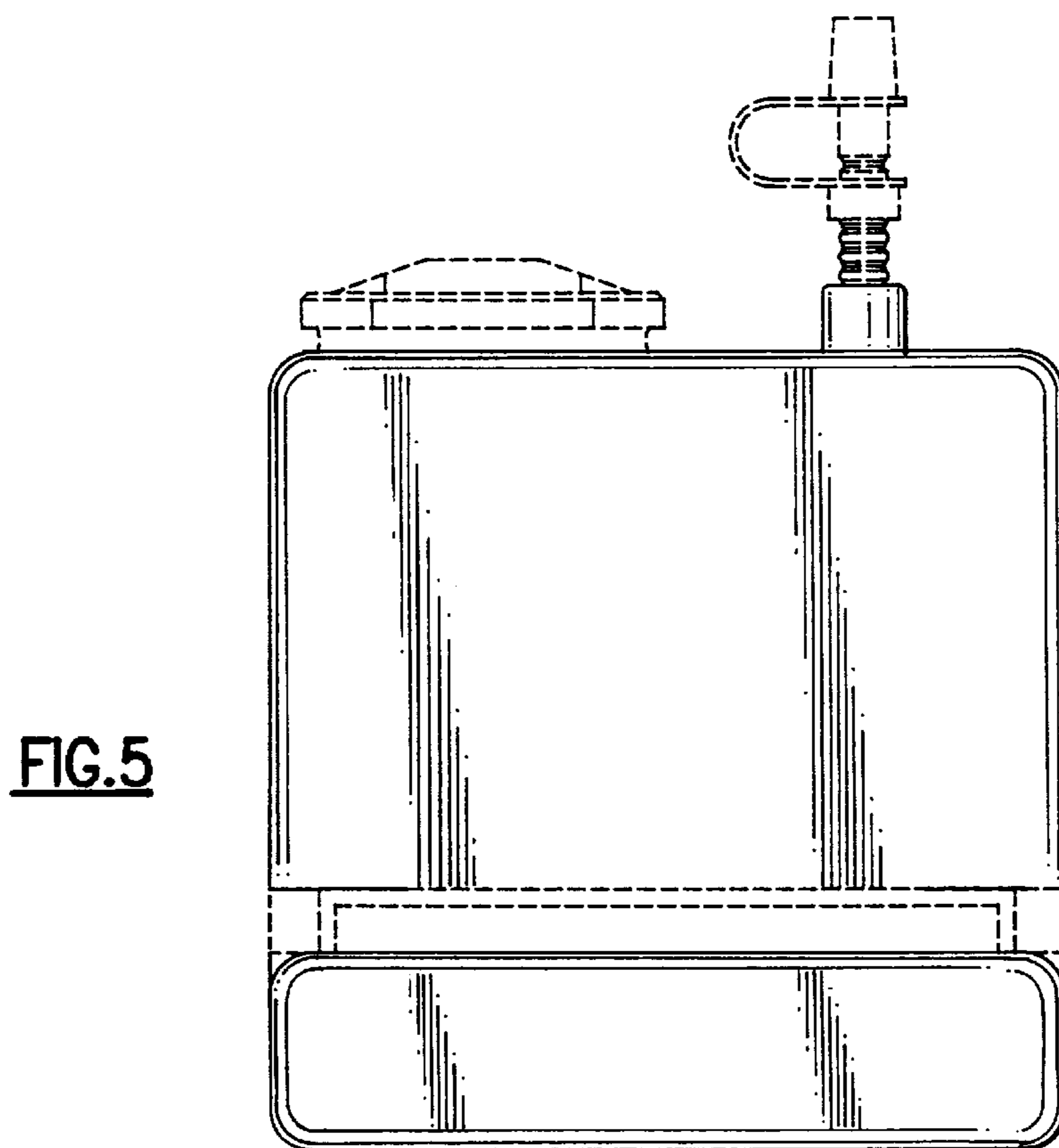
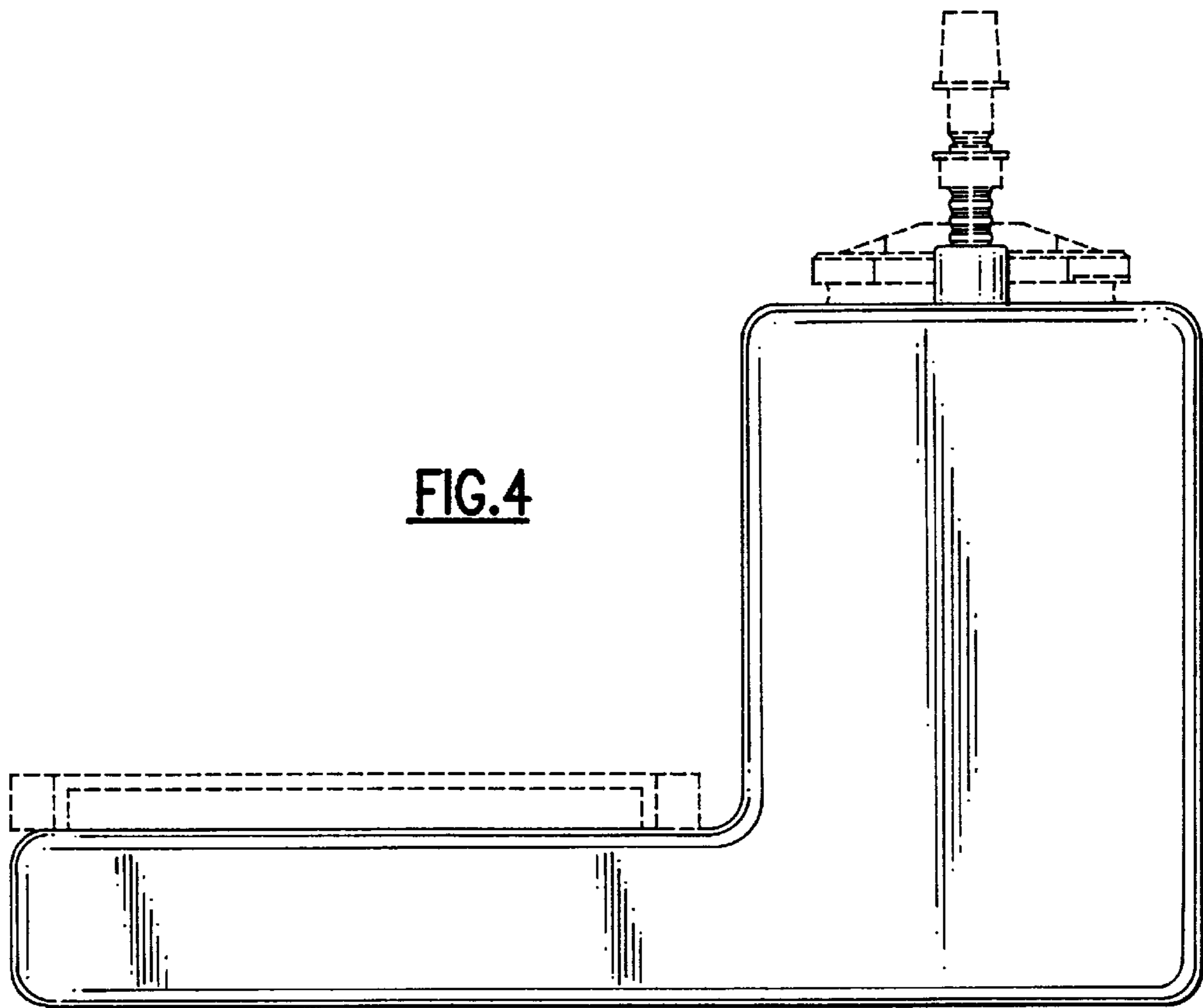


FIG. 1





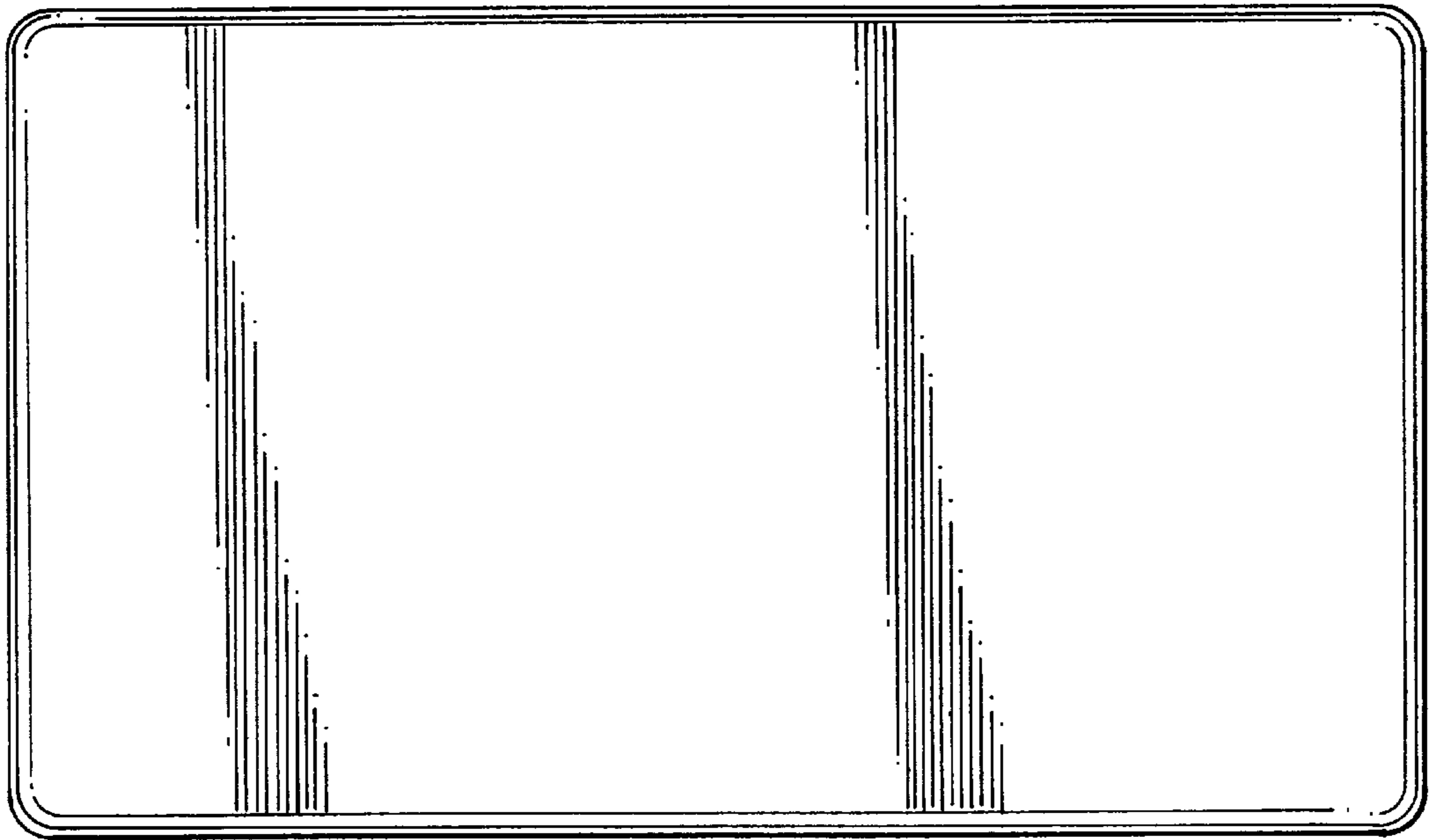


FIG. 6

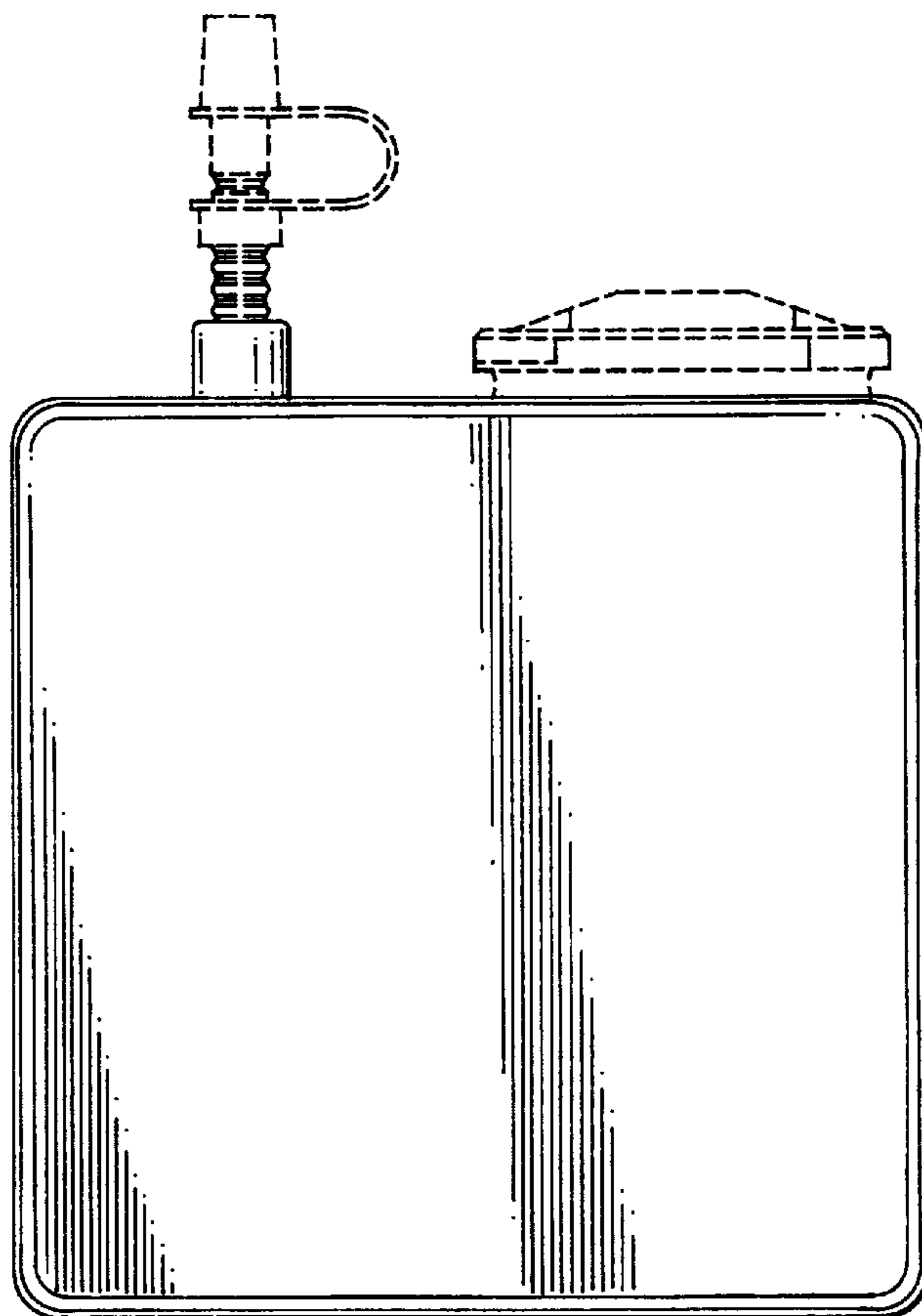


FIG. 7