



US00D438739S

(12) **United States Design Patent**
Gastelum et al.

(10) **Patent No.:** **US D438,739 S**

(45) **Date of Patent:** **** Mar. 13, 2001**

(54) **TUMBLER HOLDER**

D. 425,742 * 5/2000 Duggan D6/535

(75) Inventors: **Jose Gastelum**, Verona; **Leszek Solowiej**, Montville, both of NJ (US)

* cited by examiner

Primary Examiner—Brian N. Vinson

(73) Assignee: **Melard Manufacturing Corp.**, Passaic, NJ (US)

(74) *Attorney, Agent, or Firm*—Edgar A. Zarins; Lloyd D. Doigan

(**) Term: **14 Years**

(57) **CLAIM**

The ornamental design for a tumbler holder, as shown and described.

(21) Appl. No.: **29/117,439**

DESCRIPTION

(22) Filed: **Jan. 21, 2000**

(51) **LOC (7) Cl.** **23-02**

FIG. 1 is a perspective view of a tumbler holder showing our new design;

(52) **U.S. Cl.** **D6/535**

FIG. 2 is a top plan view thereof;

(58) **Field of Search** D6/535, 531; 248/309.1, 248/311.2, 312, 312.1, 314

FIG. 3 is a front elevation thereof;

FIG. 4 is a left side view thereof;

FIG. 5 is a right side view thereof; and,

FIG. 6 is a bottom plan view thereof.

(56) **References Cited**

The broken-line disclosure of a tumbler in the views is for illustrative purposes only and forms no part of the claimed design.

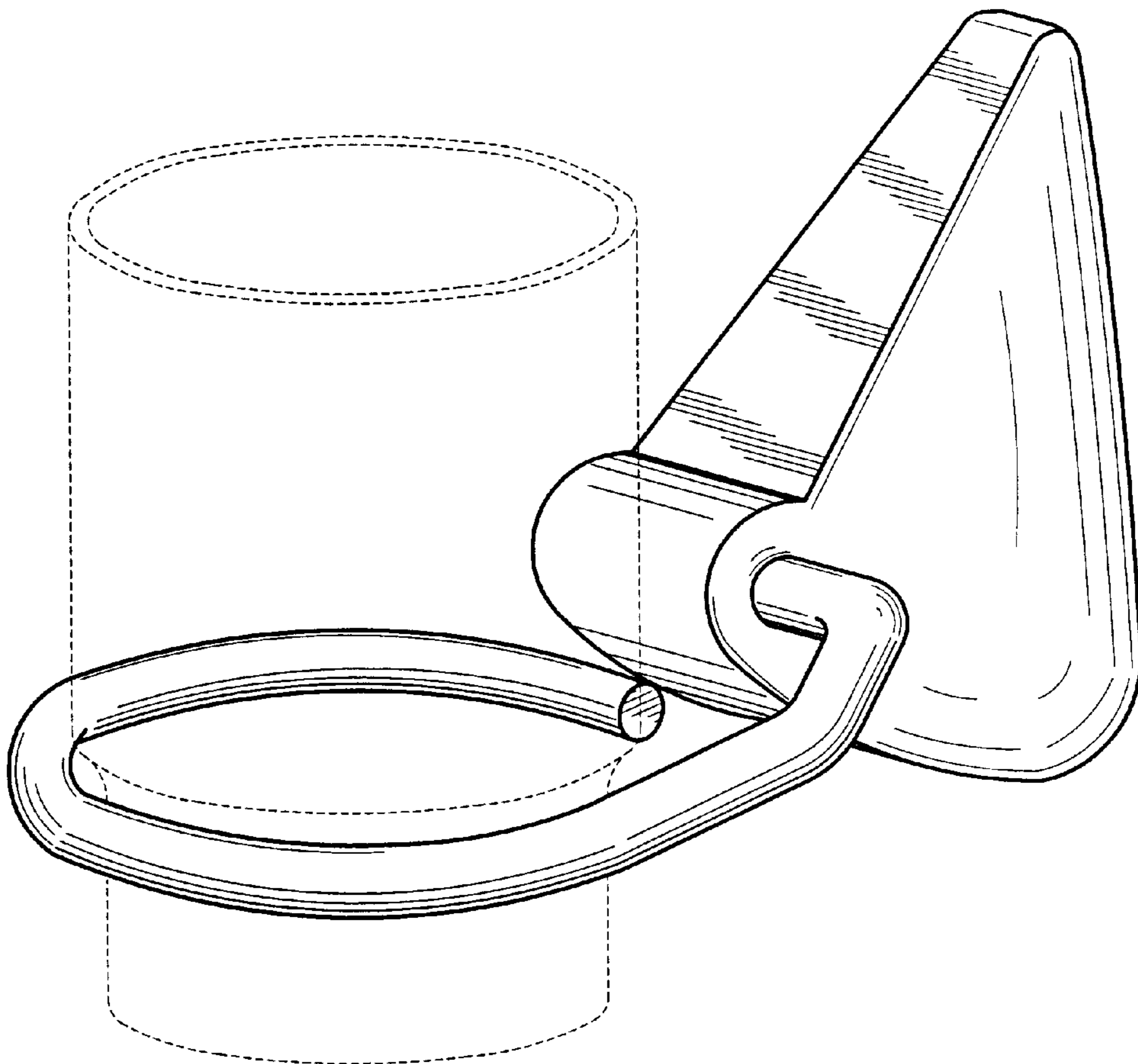
U.S. PATENT DOCUMENTS

D. 157,147 * 2/1950 Hallenscheid D6/535

D. 283,283 * 4/1986 Sollen D6/535

D. 416,153 * 11/1999 Chen D6/524

1 Claim, 3 Drawing Sheets



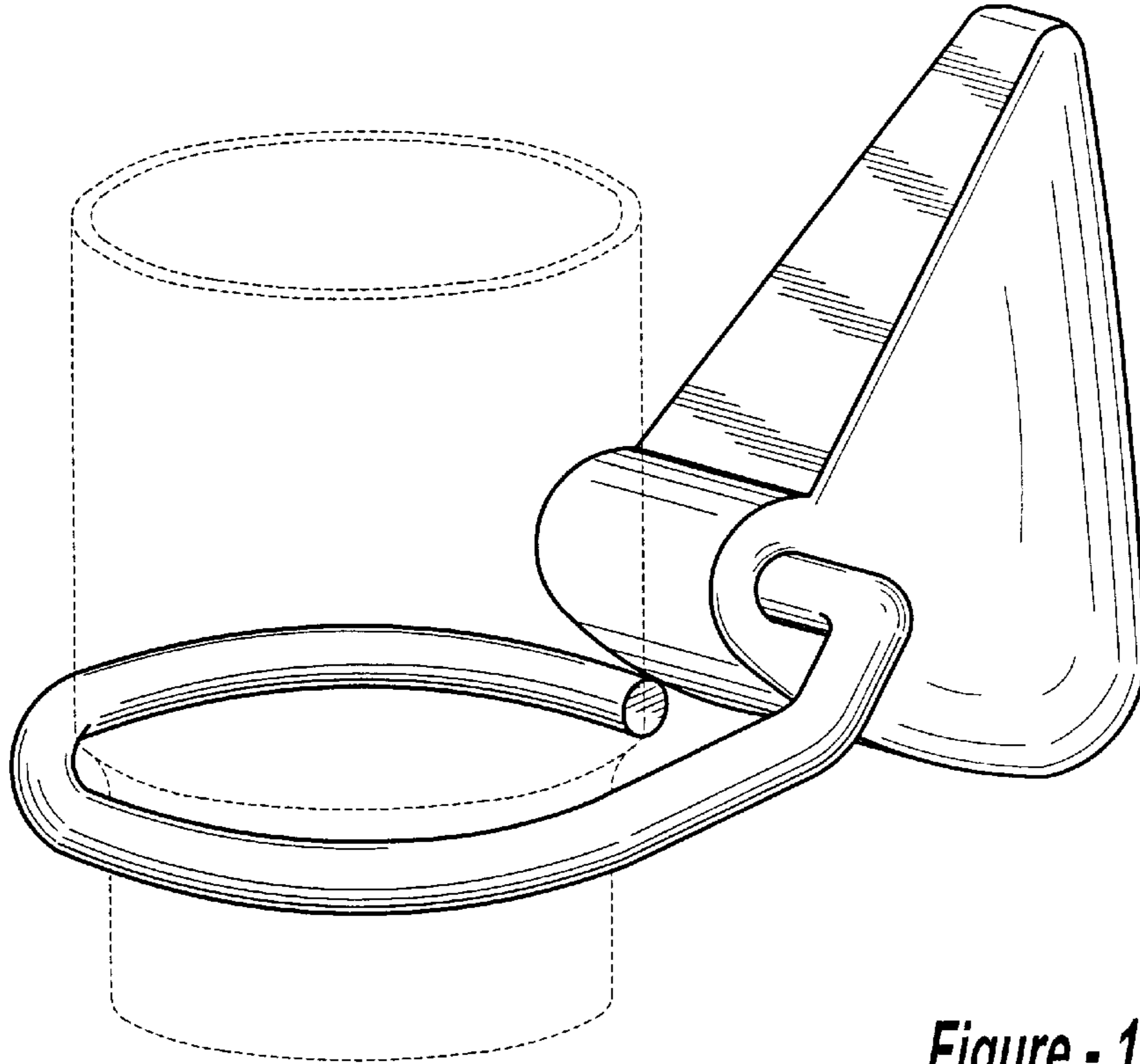


Figure - 1

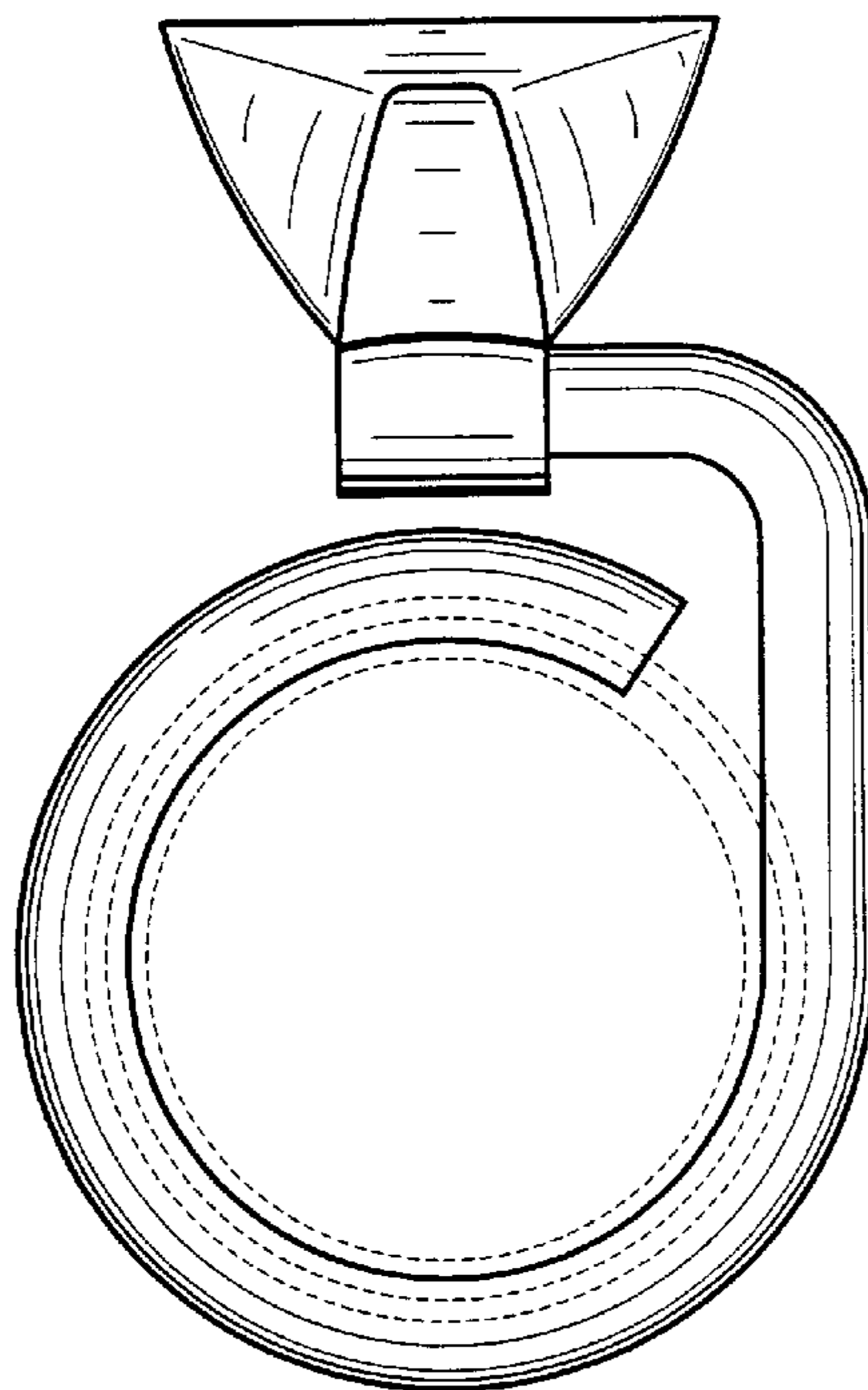


Figure - 2

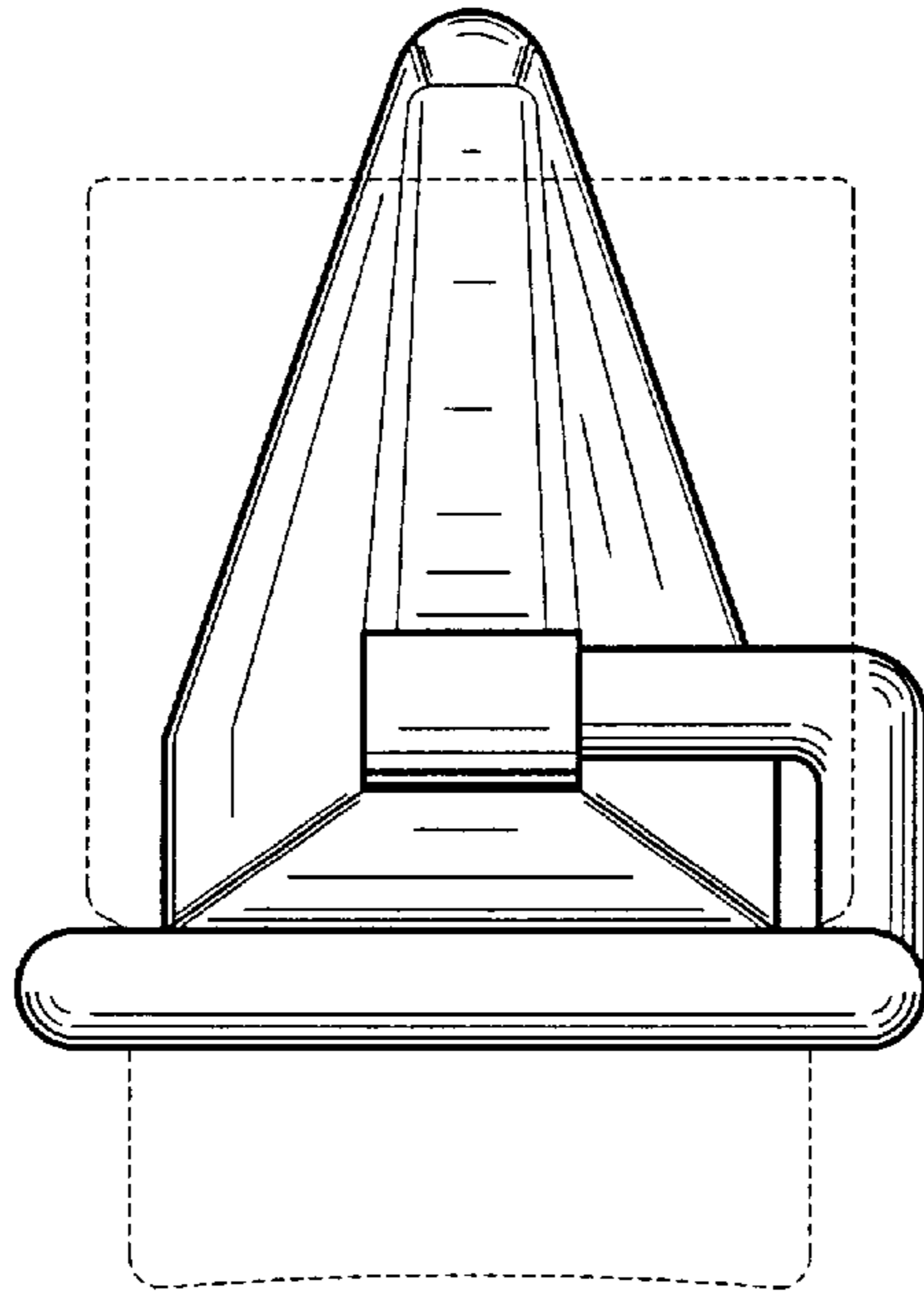


Figure - 3

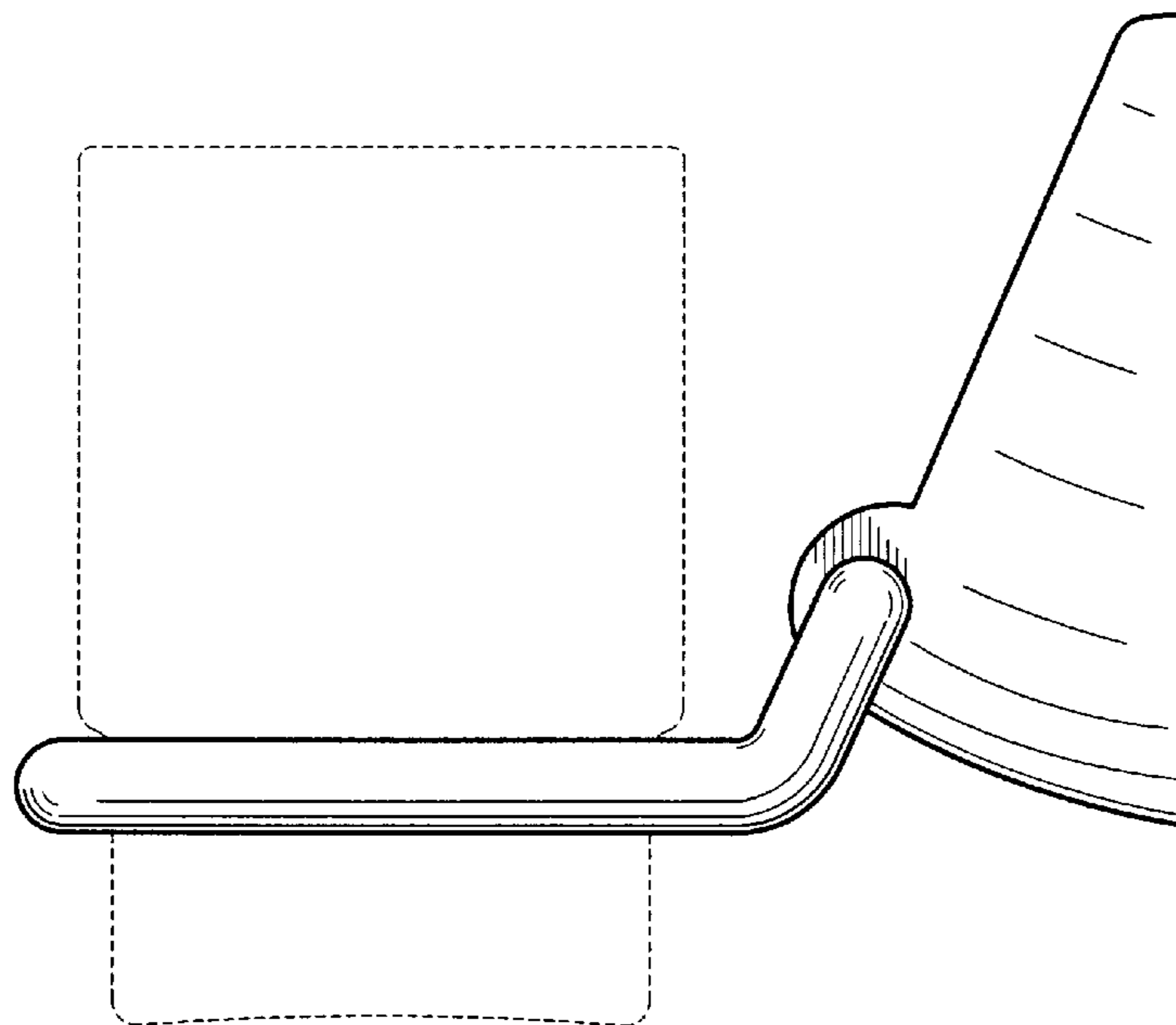


Figure - 4

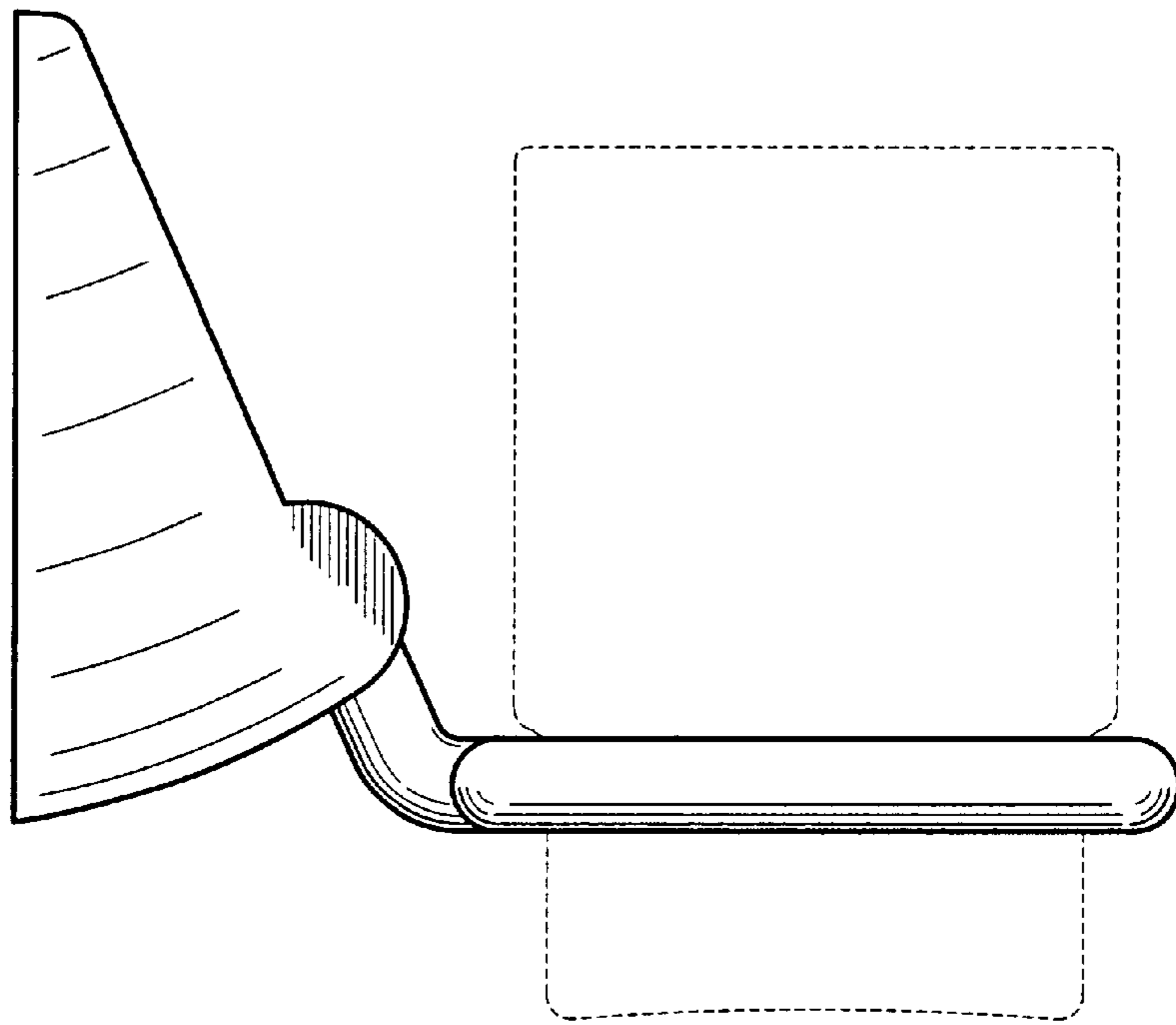


Figure - 5

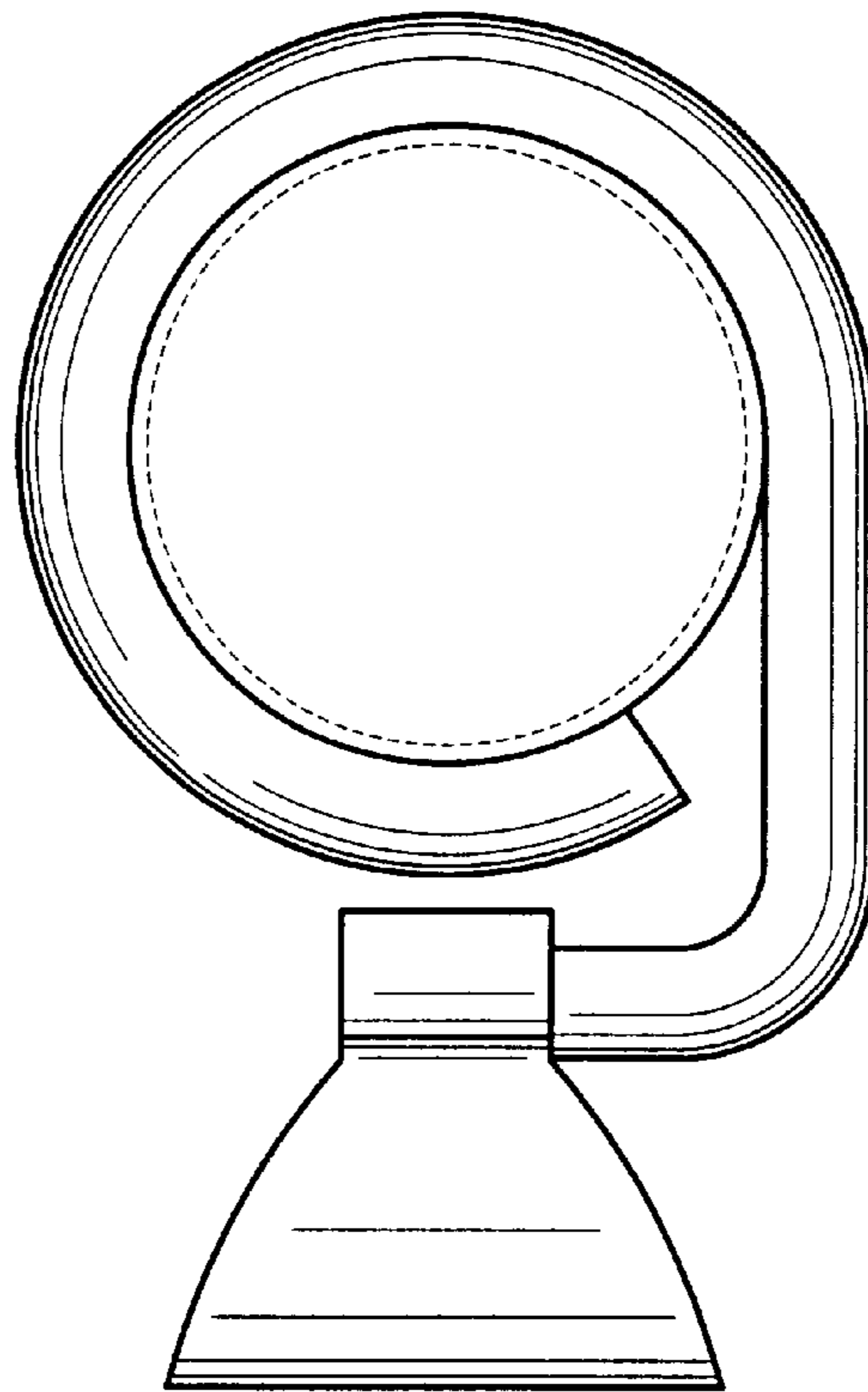


Figure - 6