



US00D438738S

(12) **United States Design Patent**
Goodman et al.

(10) **Patent No.:** **US D438,738 S**

(45) **Date of Patent:** **** Mar. 13, 2001**

(54) **PAPER TOWEL HOLDER**

(75) Inventors: **Sheldon H. Goodman**, 30905 Stratford,
Solon, OH (US) 44139; **Brian**
Stelmarski, Mayfield Heights, OH (US)

(73) Assignee: **Sheldon H. Goodman**, Solon, OH (US)

(**) Term: **14 Years**

(21) Appl. No.: **29/123,486**

(22) Filed: **May 18, 2000**

Related U.S. Application Data

(63) Continuation-in-part of application No. 29/115,156, filed on
Dec. 8, 1999, now Pat. No. Des. 428,743.

(51) **LOC (7) Cl.** **23-02**

(52) **U.S. Cl.** **D6/522**

(58) **Field of Search** D6/546-550, 522,
D6/523; 242/590, 596, 597-598; 211/13.1,
32, 35, 87.01, 88.04, 105.1, 105.2, 106,
123, 181.1, 182; 248/49, 214, 251, 302

(56) **References Cited**

U.S. PATENT DOCUMENTS

D. 253,380 * 11/1979 Pittenger D6/524
D. 285,850 9/1986 Waldron D6/522

D. 383,343 9/1997 Goodman D6/522
D. 390,054 2/1998 Goodman D6/522
D. 409,028 * 5/1999 Goodman D6/523
D. 409,423 * 5/1999 Malik D6/518
D. 428,743 * 8/2000 Goodman et al. D6/522
2,315,566 * 4/1943 Watral et al. D6/523 X
3,227,386 * 1/1966 Pitcher D6/550

* cited by examiner

Primary Examiner—Brian N. Vinson

(74) *Attorney, Agent, or Firm*—Pearne & Gordon LLP

(57) **CLAIM**

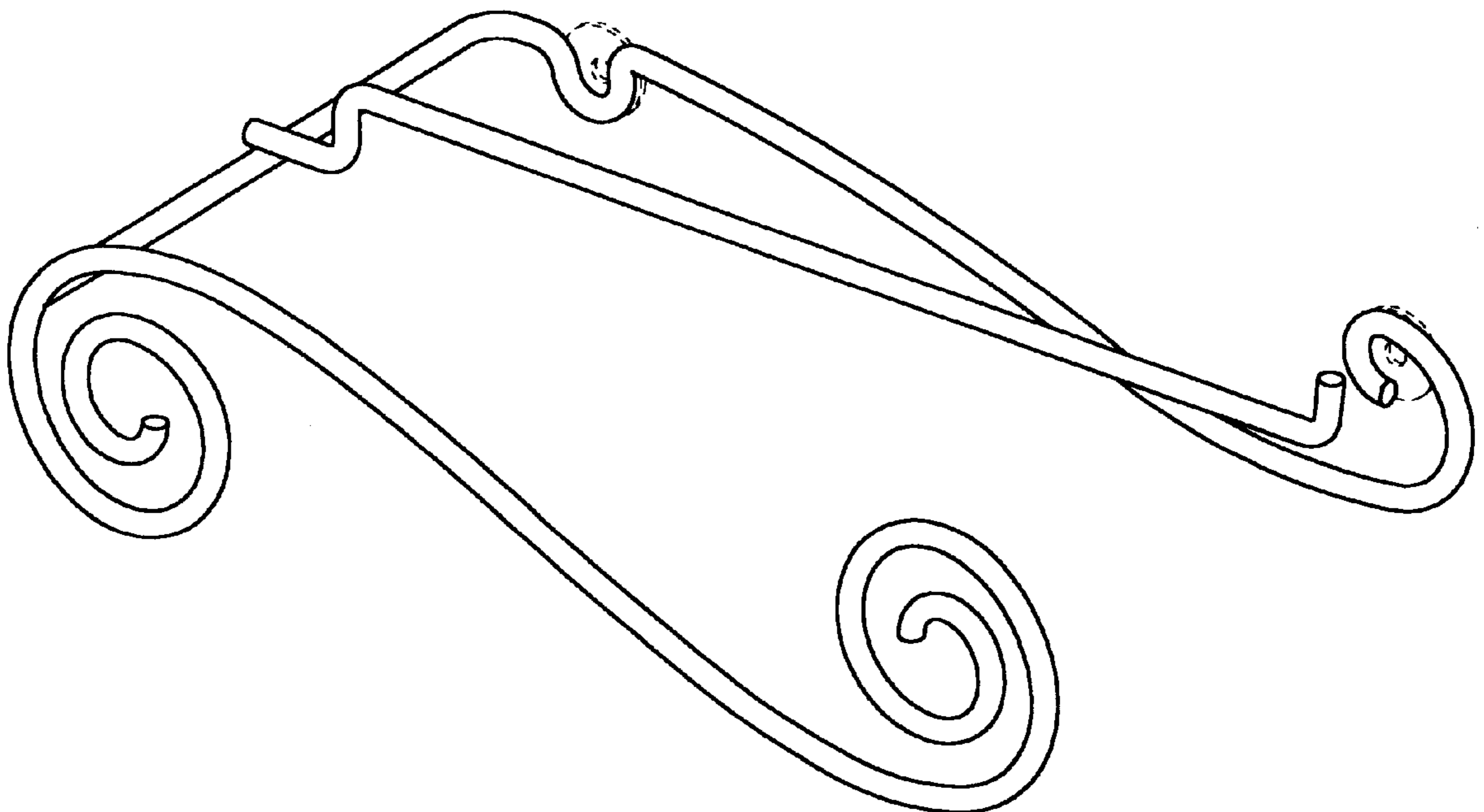
The ornamental design for a paper towel holder, as shown
and described.

DESCRIPTION

FIG. 1 is a top, front and side perspective view of a paper
towel holder showing our new design;
FIG. 2 is a front elevational view thereof;
FIG. 3 is a rear elevational view thereof;
FIG. 4 is a top plan view thereof;
FIG. 5 is a bottom plan view thereof;
FIG. 6 is a right side elevational view thereof; and,
FIG. 7 is a left side elevational view thereof.

The broken-line disclosure of elements in the views is for
illustrative purposes only and forms no part of the claimed
design.

1 Claim, 2 Drawing Sheets



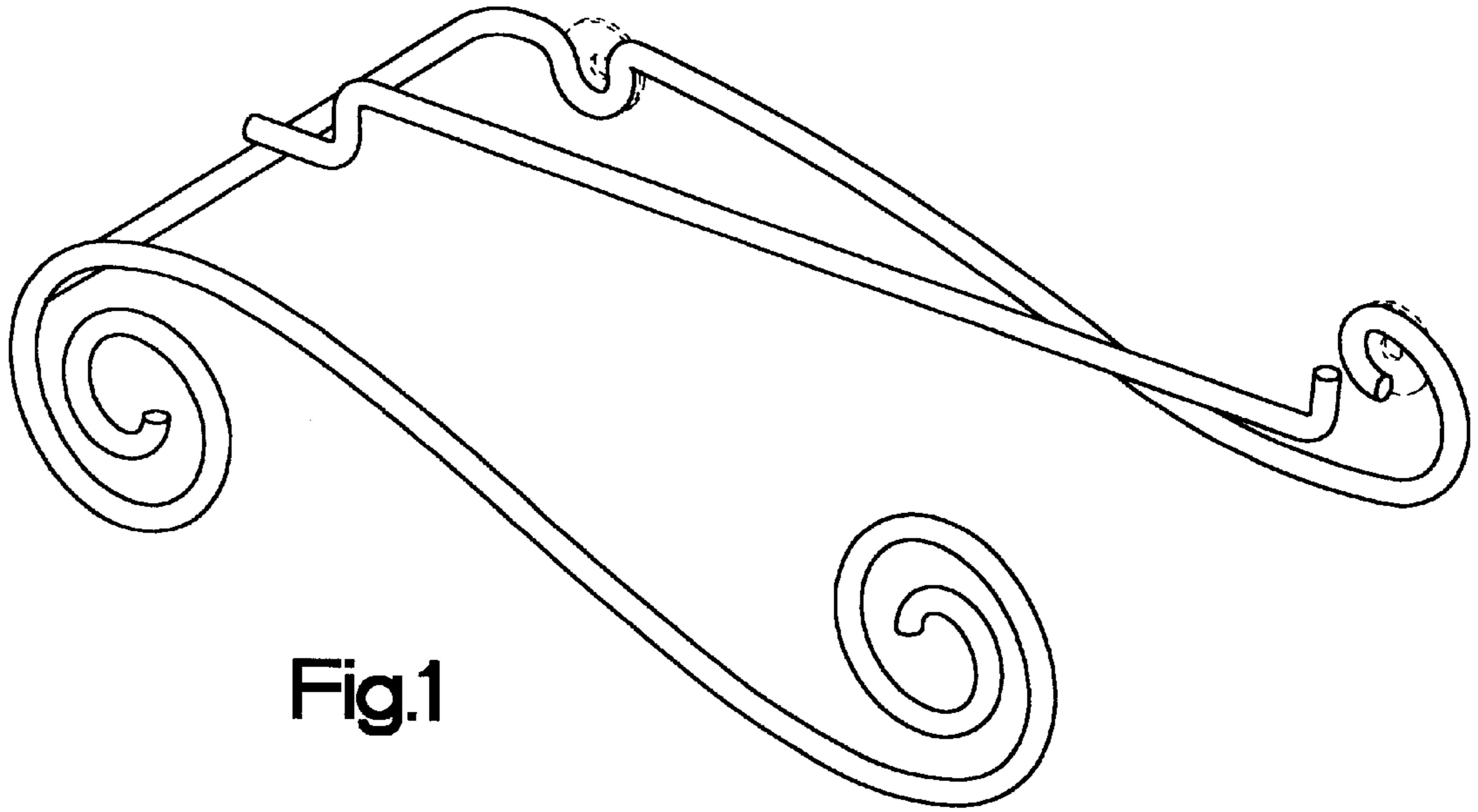


Fig.1

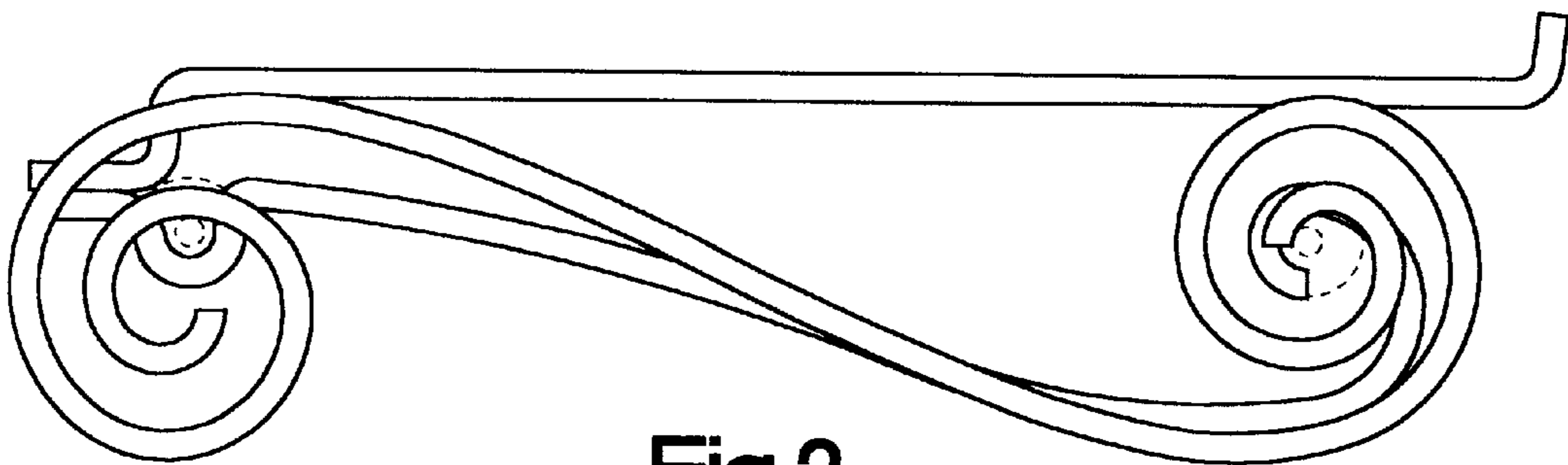


Fig.2

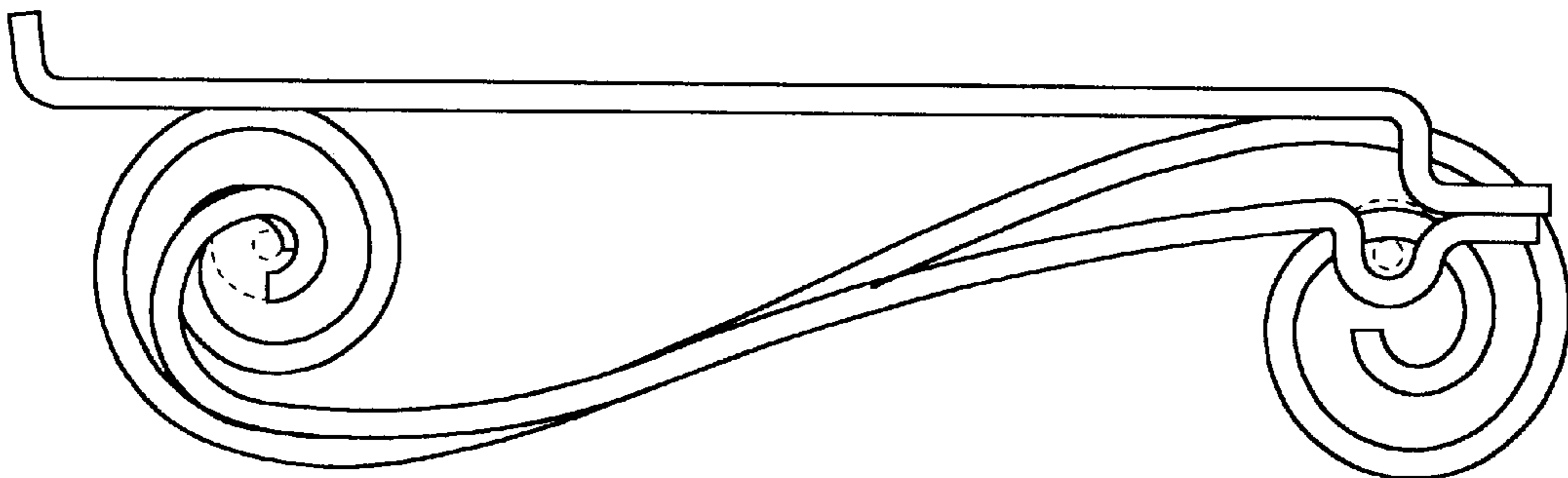


Fig.3

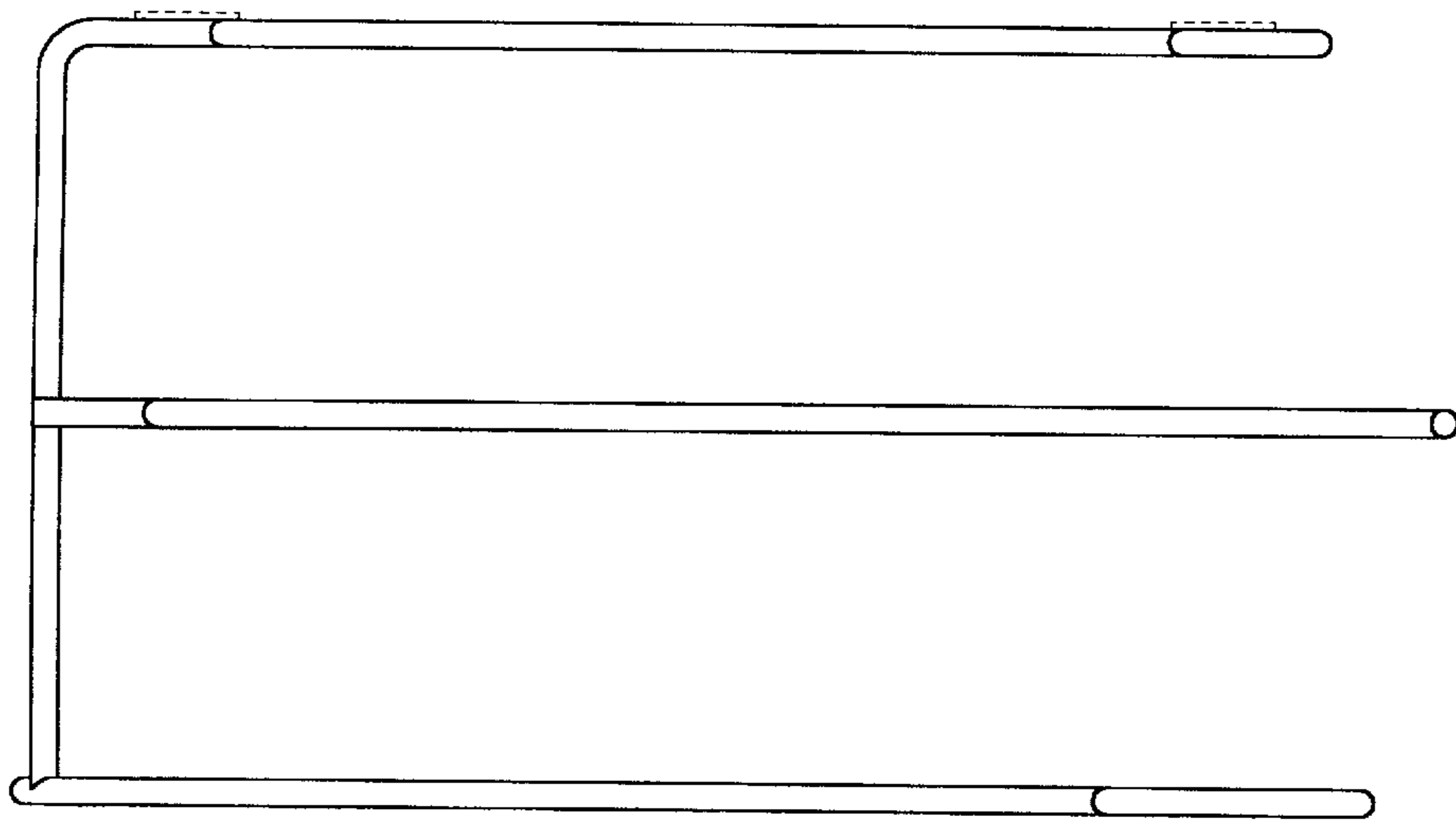


Fig.4

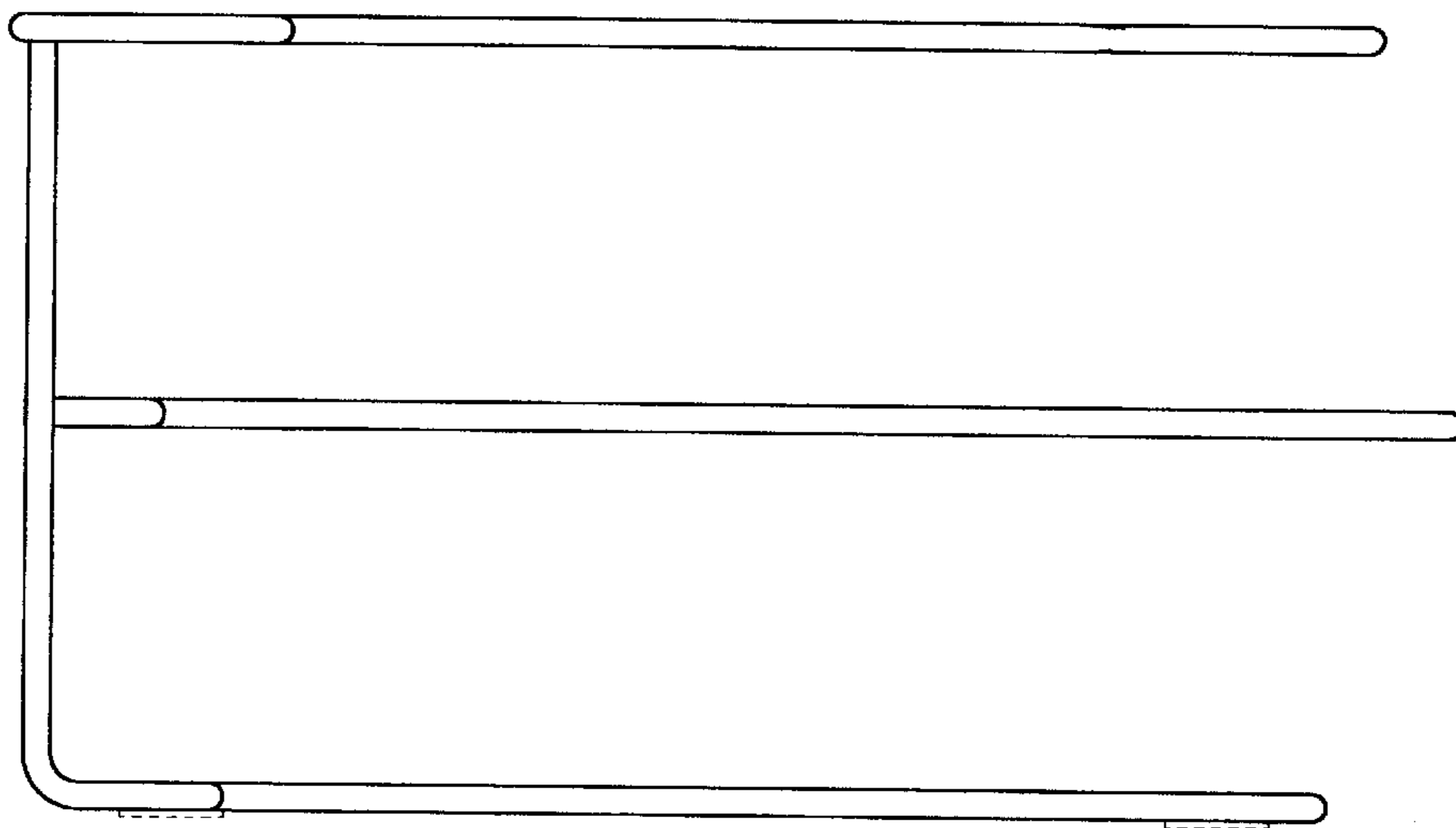


Fig.5

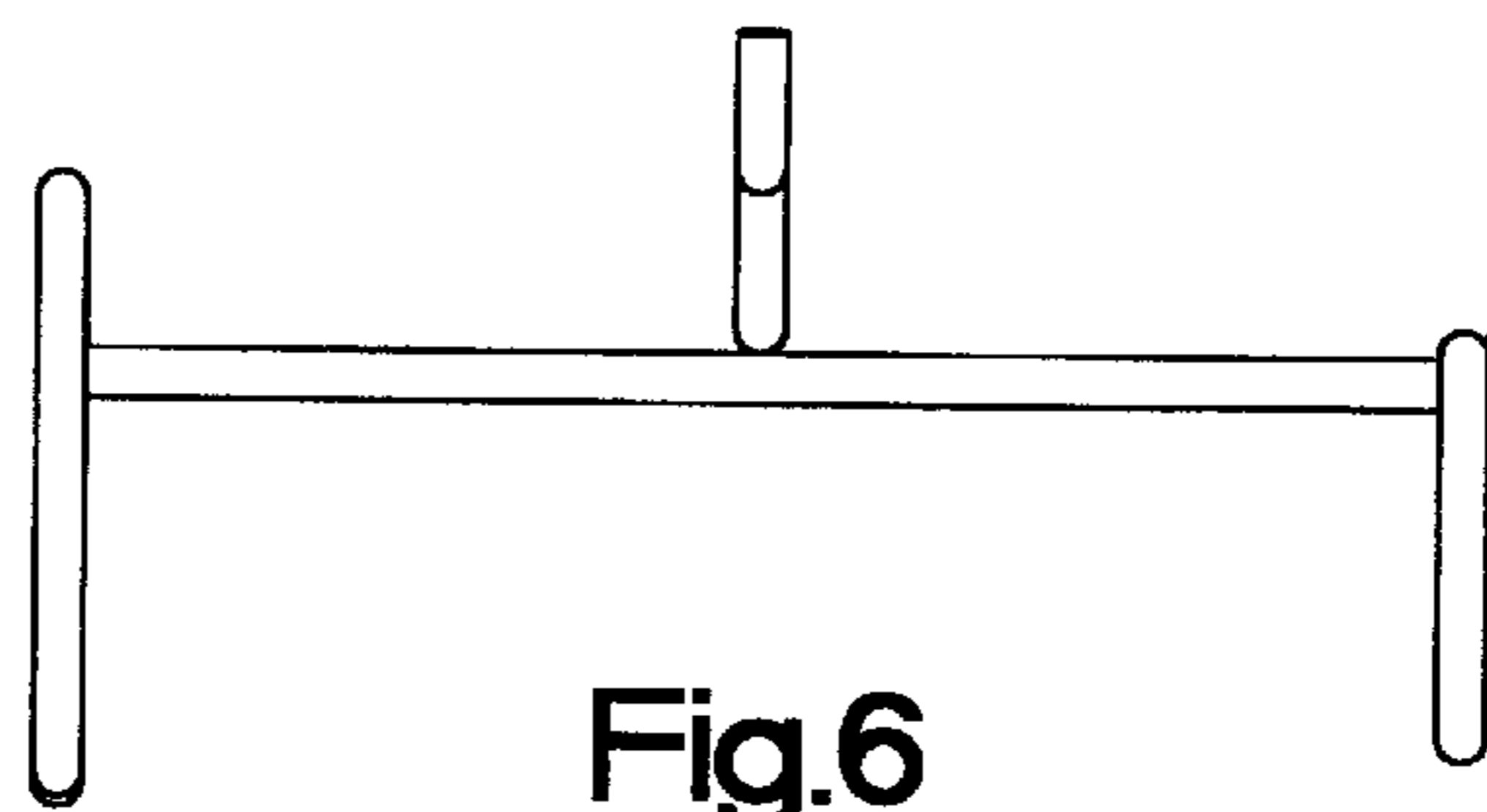


Fig.6

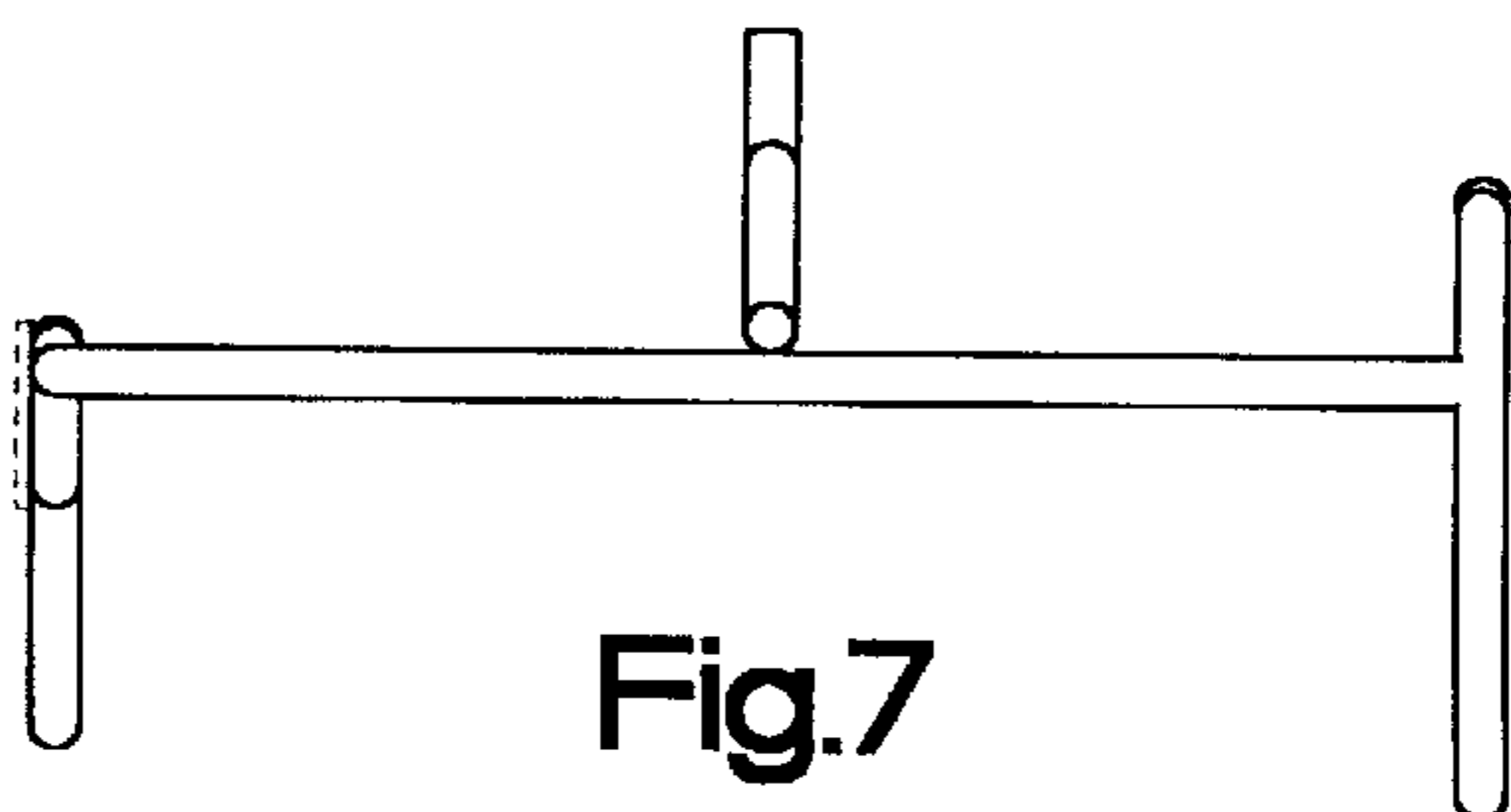


Fig.7