



US00D438735S

(12) **United States Design Patent**
Mahlmann

(10) **Patent No.:** **US D438,735 S**

(45) **Date of Patent:** **** Mar. 13, 2001**

(54) **TOWELETTE DISPENSER**

(75) Inventor: **Veit Mahlmann**, Hamburg (DE)

(73) Assignee: **HEWI Heinrich Wilke GmbH**, Bad Arolsen (DE)

(**) Term: **14 Years**

(21) Appl. No.: **29/100,801**

(22) Filed: **Feb. 19, 1999**

Related U.S. Application Data

(62) Division of application No. 29/076,533, filed on Sep. 12, 1997, now Pat. No. Des. 405,997.

(30) **Foreign Application Priority Data**

Mar. 13, 1997 (DE) M9702486

(51) **LOC (7) Cl.** **20-02**

(52) **U.S. Cl.** **D6/518**

(58) **Field of Search** D6/515, 517, 518,
D6/522; D28/73, 76; 206/389, 449, 812;
221/33, 282, 283; 248/905

(56) **References Cited**

U.S. PATENT DOCUMENTS

D. 316,787 * 5/1991 Kelly D6/515

D. 346,674 * 5/1994 Berghash D28/73
D. 347,536 * 6/1994 Berreth D6/524
D. 380,114 * 6/1997 Albright D6/515
D. 414,637 * 10/1999 Amundson et al. D6/518

* cited by examiner

Primary Examiner—Brian N. Vinson

(74) *Attorney, Agent, or Firm*—Michael J. Striker

(57) **CLAIM**

The ornamental design for a towelette dispenser, as shown and described.

DESCRIPTION

FIG. 1 is a top, front and left side perspective view of a towelette dispenser showing my new design;

FIG. 2 is a front elevational view thereof;

FIG. 3 is a bottom plan view thereof;

FIG. 4 is a top plan view thereof;

FIG. 5 is a left side elevational view thereof;

FIG. 6 is a right side elevational view thereof; and,

FIG. 7 is a rear elevational view thereof.

1 Claim, 2 Drawing Sheets

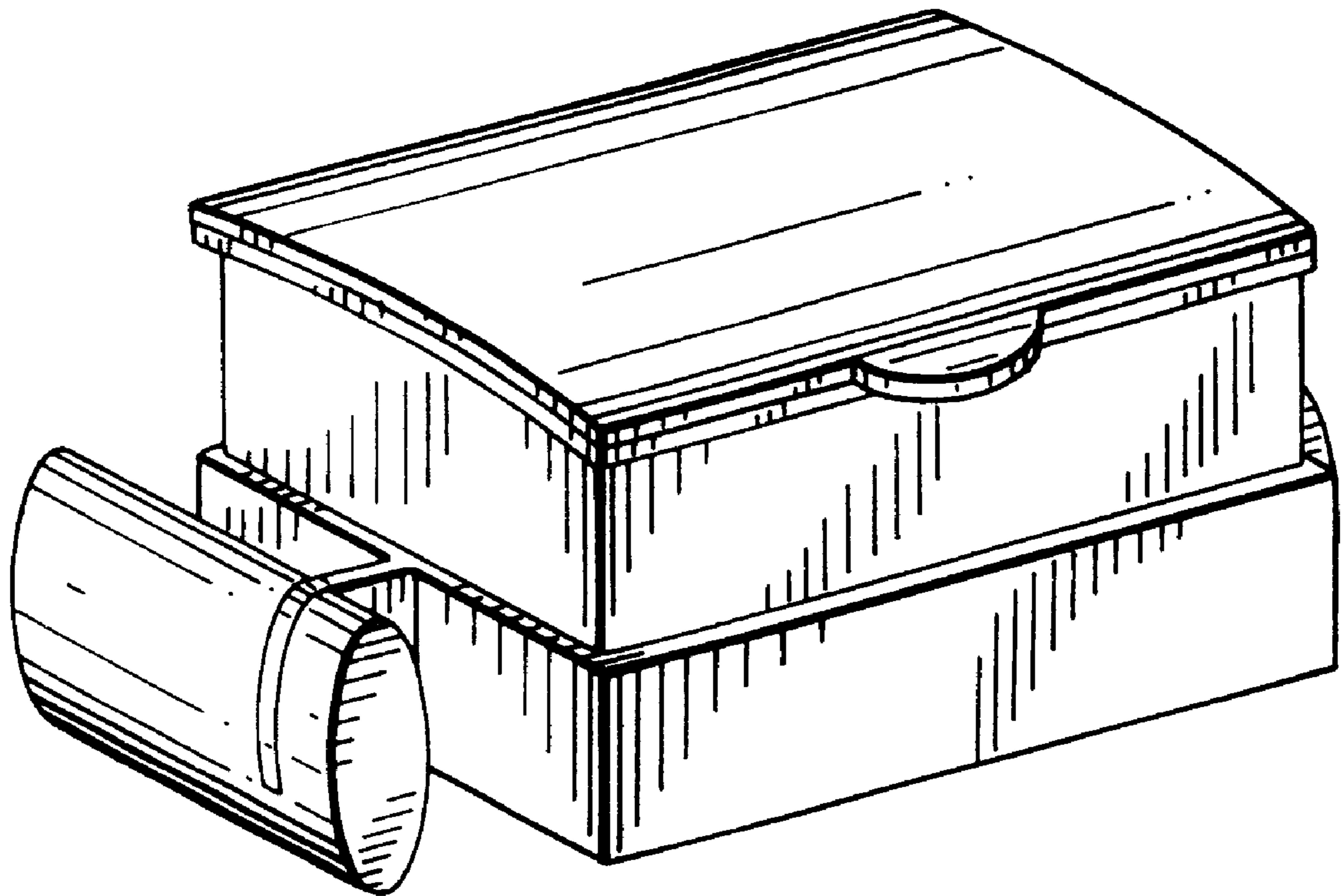


FIG. 1

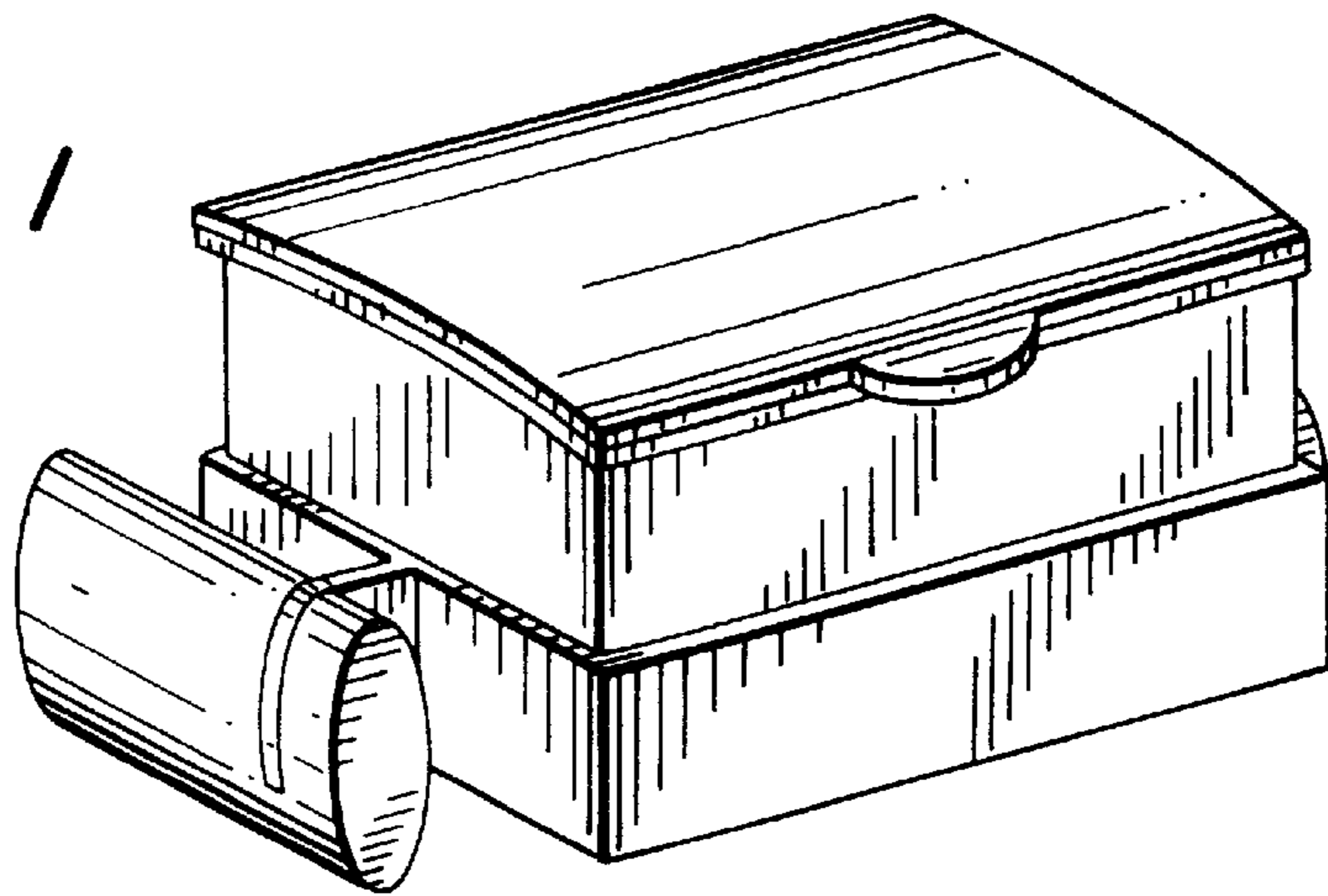


FIG. 2

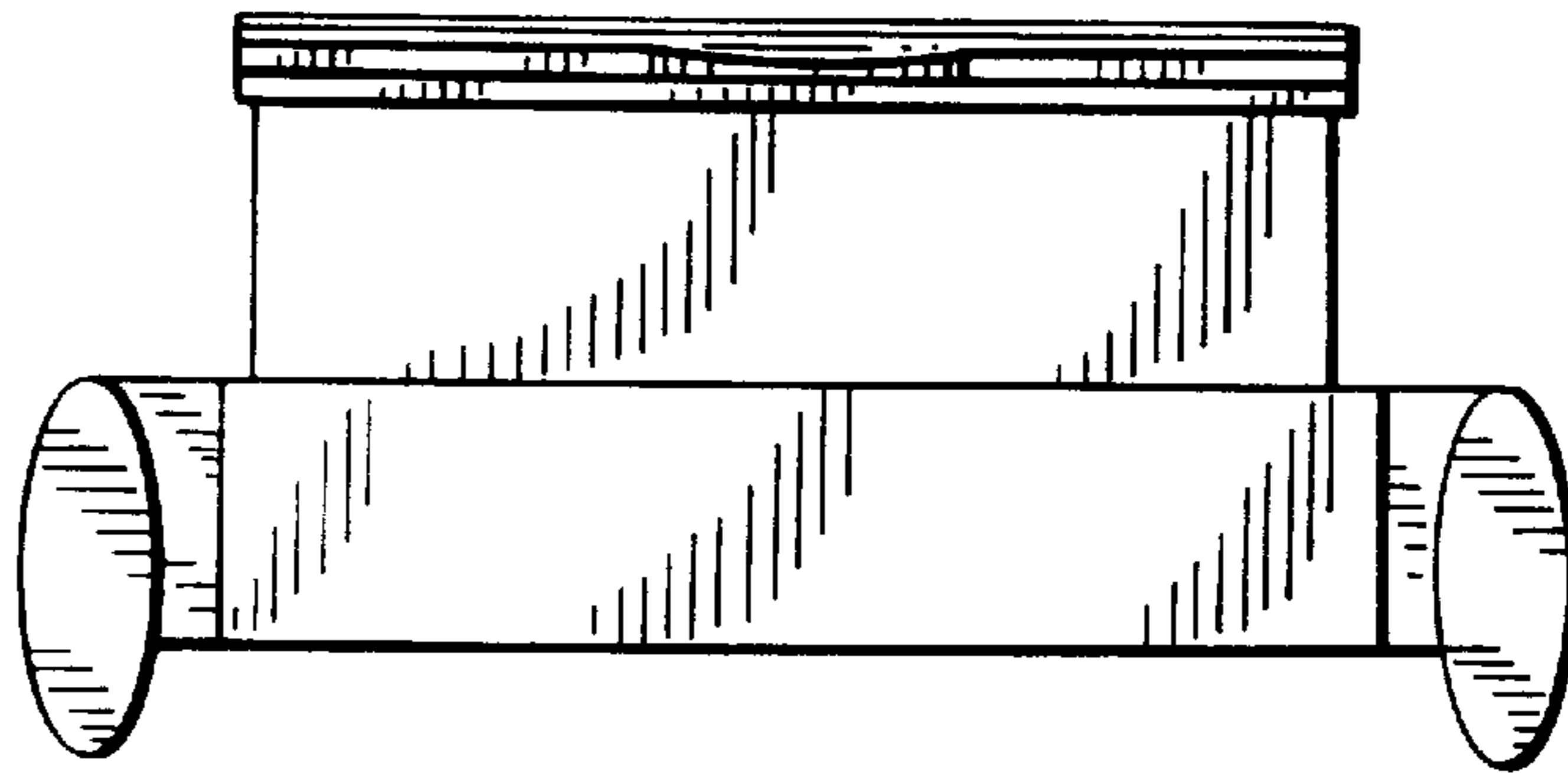
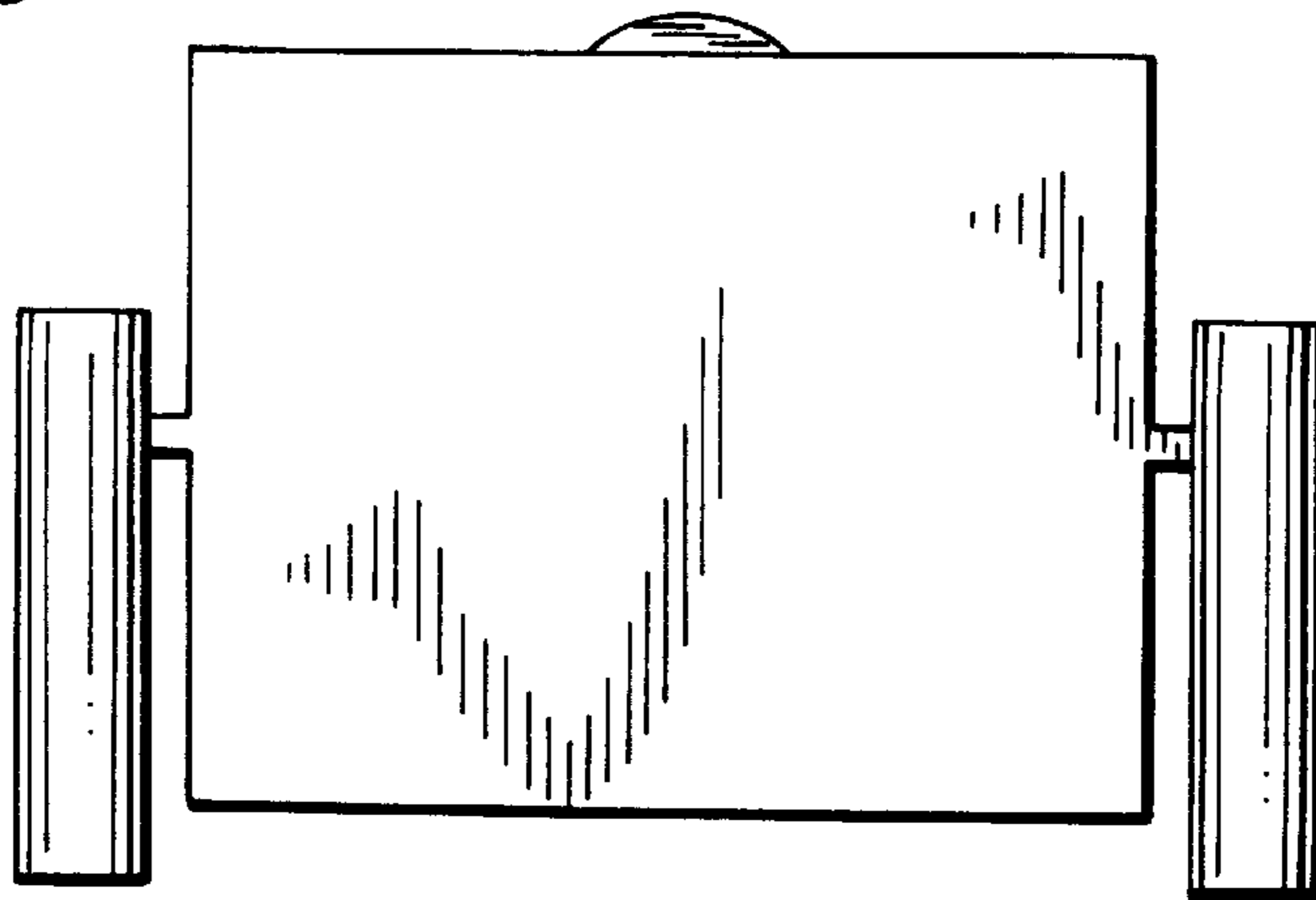


FIG. 3



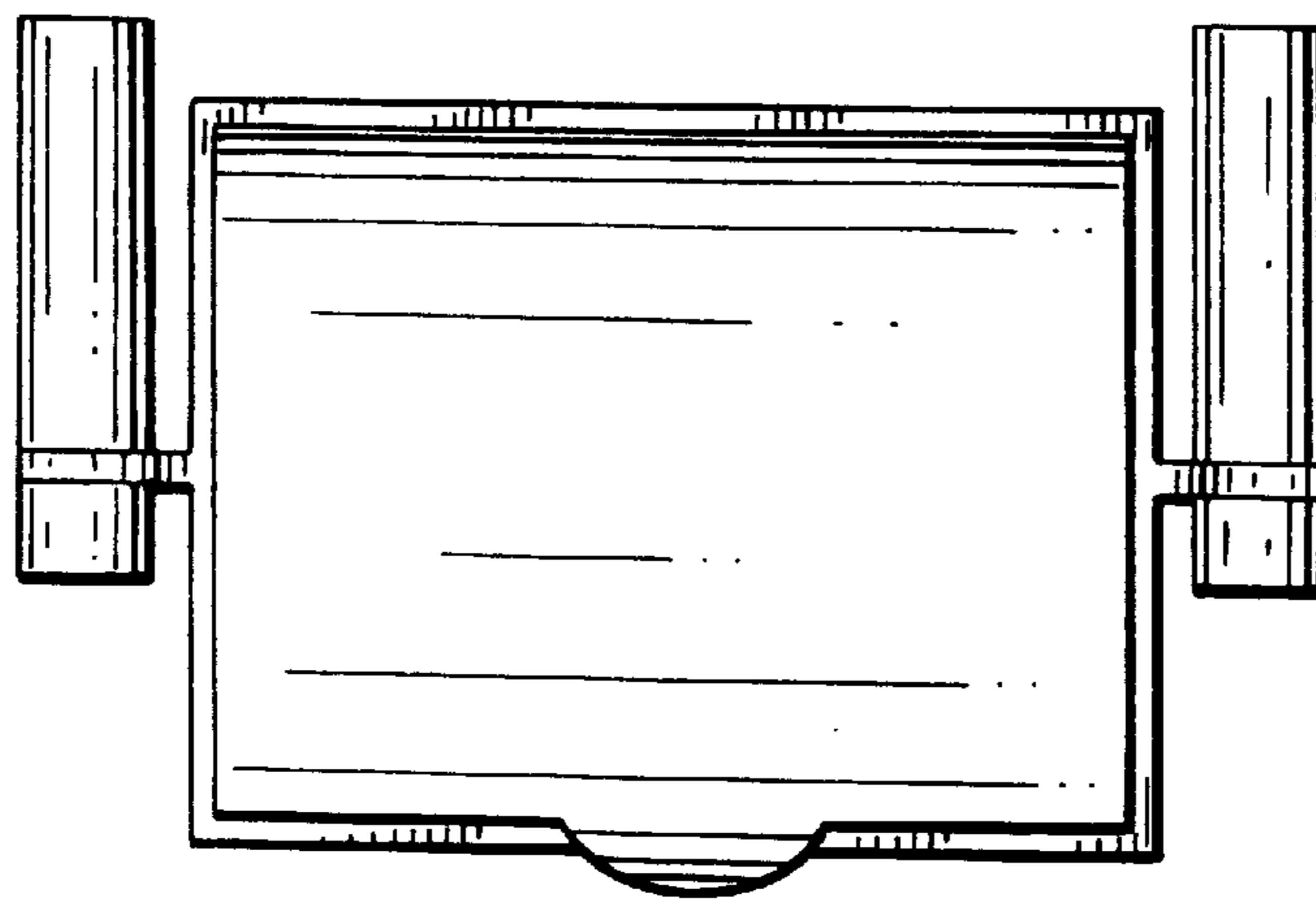


FIG. 4

FIG. 5

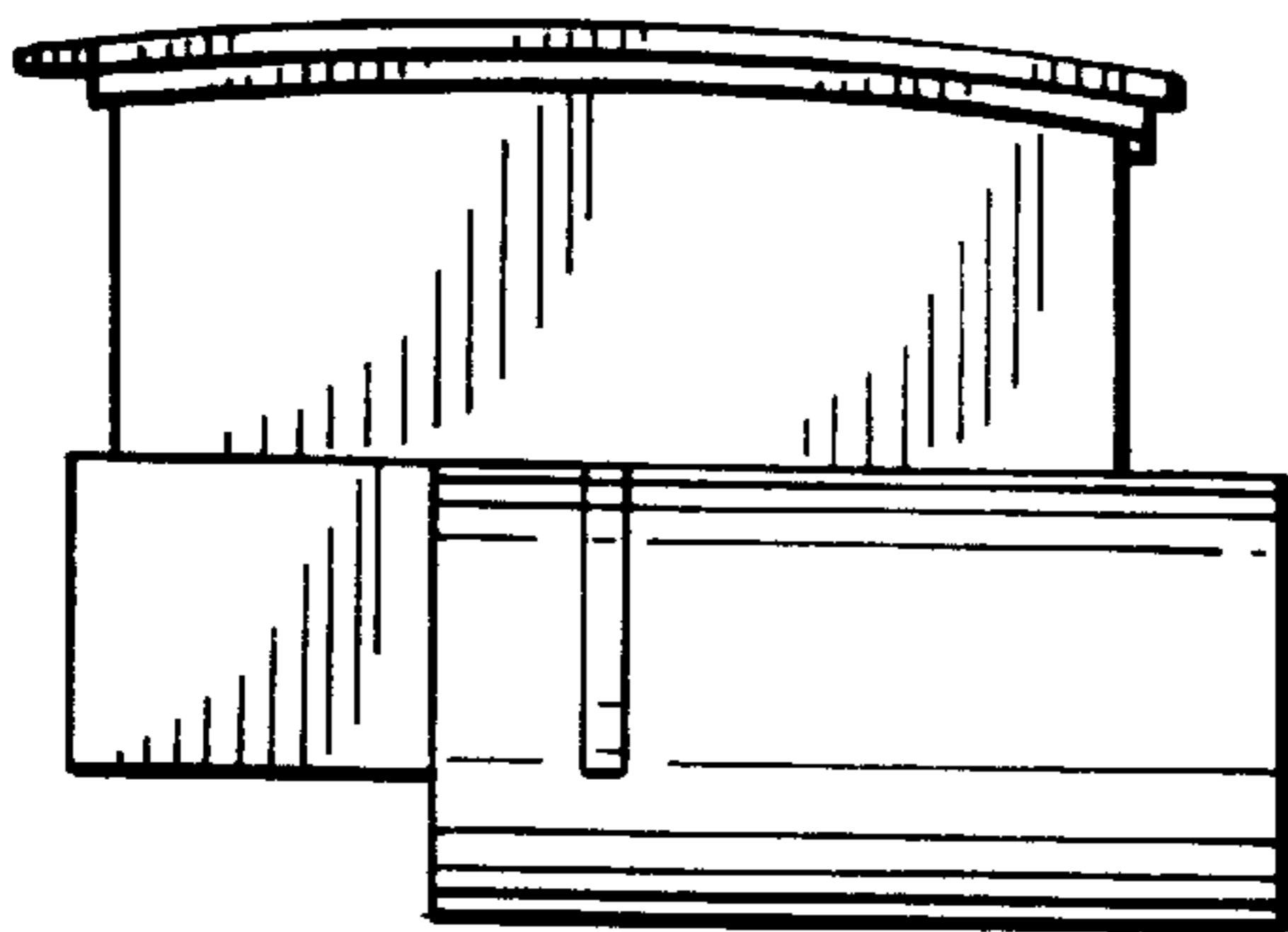


FIG. 6

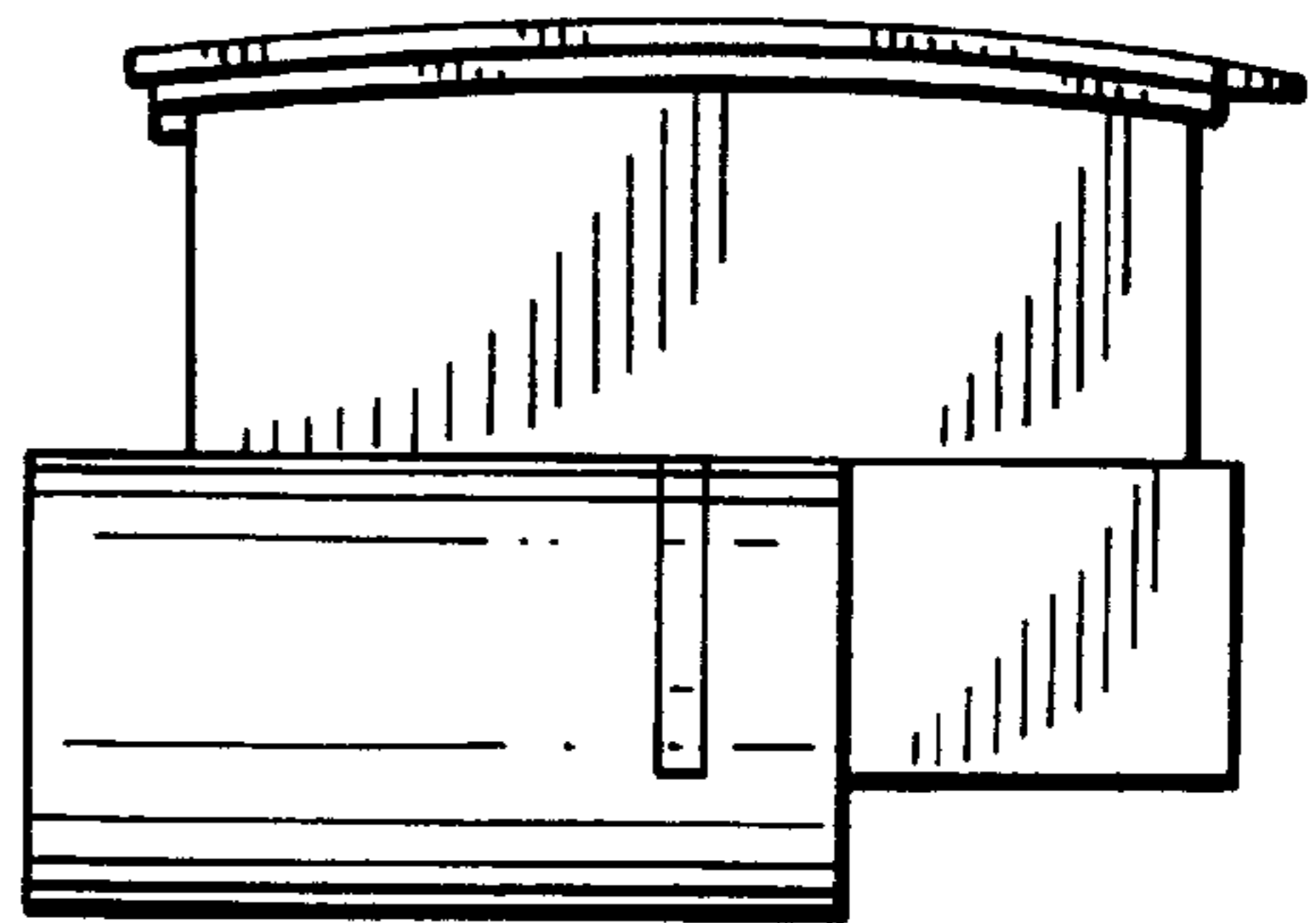


FIG. 7

