



US00D438732S

(12) **United States Design Patent**
Goodworth

(10) **Patent No.:** **US D438,732 S**

(45) **Date of Patent:** **** Mar. 13, 2001**

(54) **CHAIR ARM**

(75) **Inventor:** **William H. Goodworth**, Davenport, IA
(US)

(73) **Assignee:** **HON Technology Inc.**, Muscatine, IA
(US)

(**) **Term:** **14 Years**

(21) **Appl. No.:** **29/122,148**

(22) **Filed:** **Apr. 19, 2000**

(51) **LOC (7) Cl.** **06-06**

(52) **U.S. Cl.** **D6/501; D6/366**

(58) **Field of Search** D6/334, 364, 365,
D6/366, 367, 379, 500, 501, 502; 297/411.2,
411.27, 411.28

(56) **References Cited**

U.S. PATENT DOCUMENTS

- D. 366,792 * 2/1996 McDiarmid D6/501
- D. 382,738 * 8/1997 Chen D6/501
- D. 388,270 * 12/1997 Schultz et al. D6/501

- D. 403,185 * 12/1998 Tseng D6/501
- D. 409,863 * 5/1999 Chu D6/501
- D. 410,159 * 5/1999 Wu D6/501
- D. 424,847 * 5/2000 Lin D6/501
- D. 426,408 * 6/2000 Su D6/501

* cited by examiner

Primary Examiner—Gary D. Watson

(74) *Attorney, Agent, or Firm*—Jones, Day, Reavis & Pogue

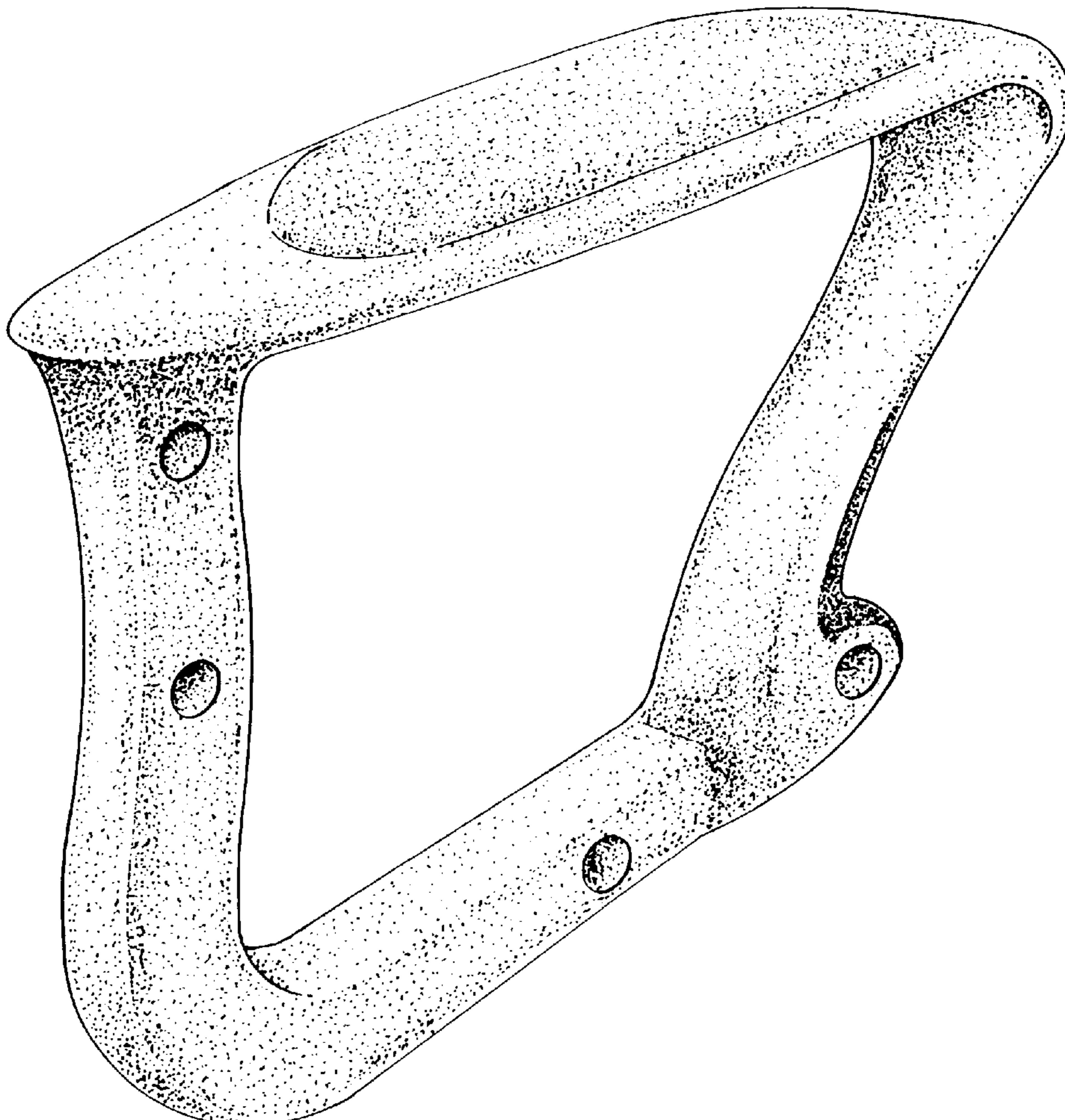
(57) **CLAIM**

The ornamental design for a chair arm, as shown.

DESCRIPTION

FIG. 1 is a right rear perspective view of a chair arm showing my new design;
 FIG. 2 is a rear view thereof;
 FIG. 3 is a front view thereof;
 FIG. 4 is a top plan view thereof;
 FIG. 5 is a right side view thereof;
 FIG. 6 is a left side view thereof; and,
 FIG. 7 is a bottom view thereof.

1 Claim, 3 Drawing Sheets



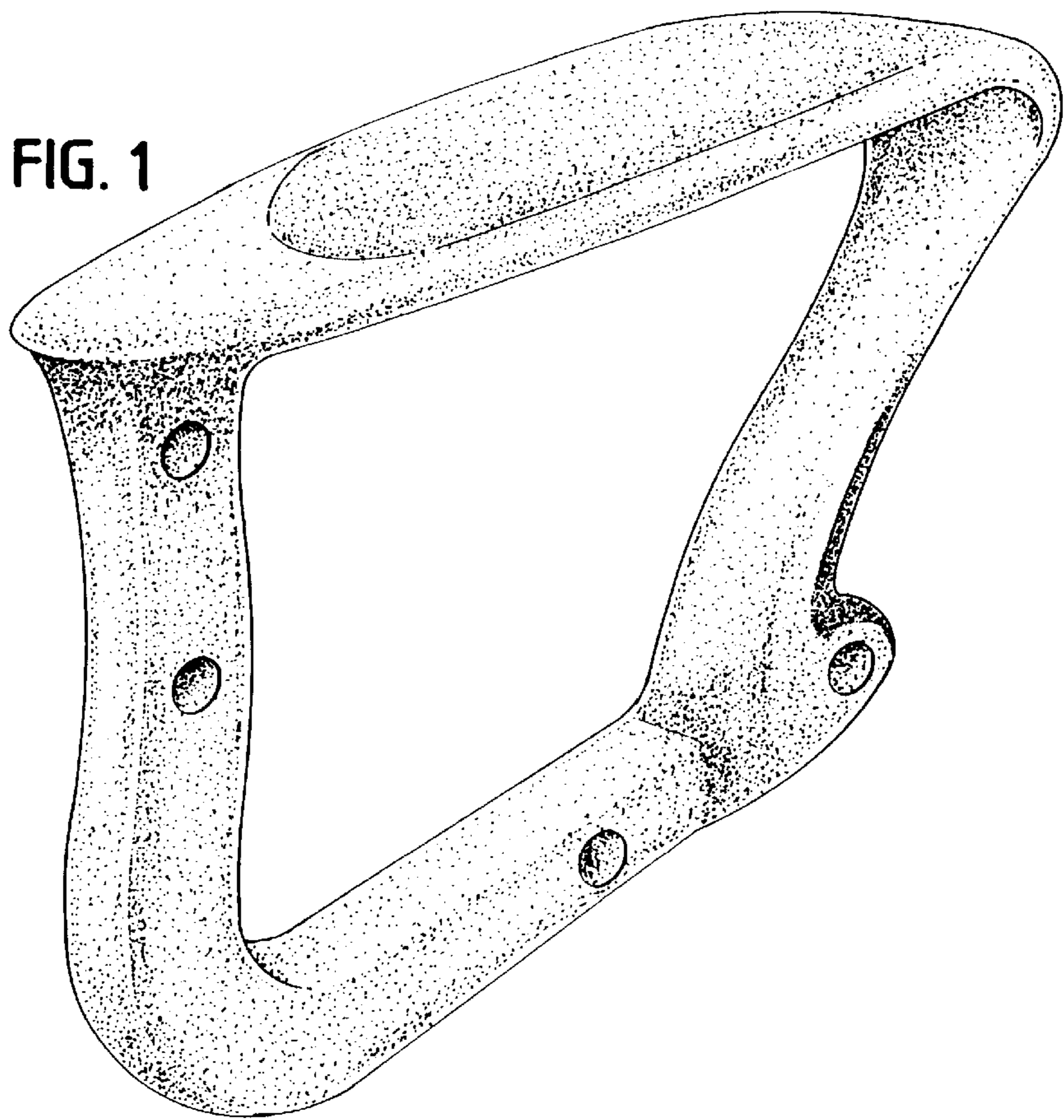


FIG. 2

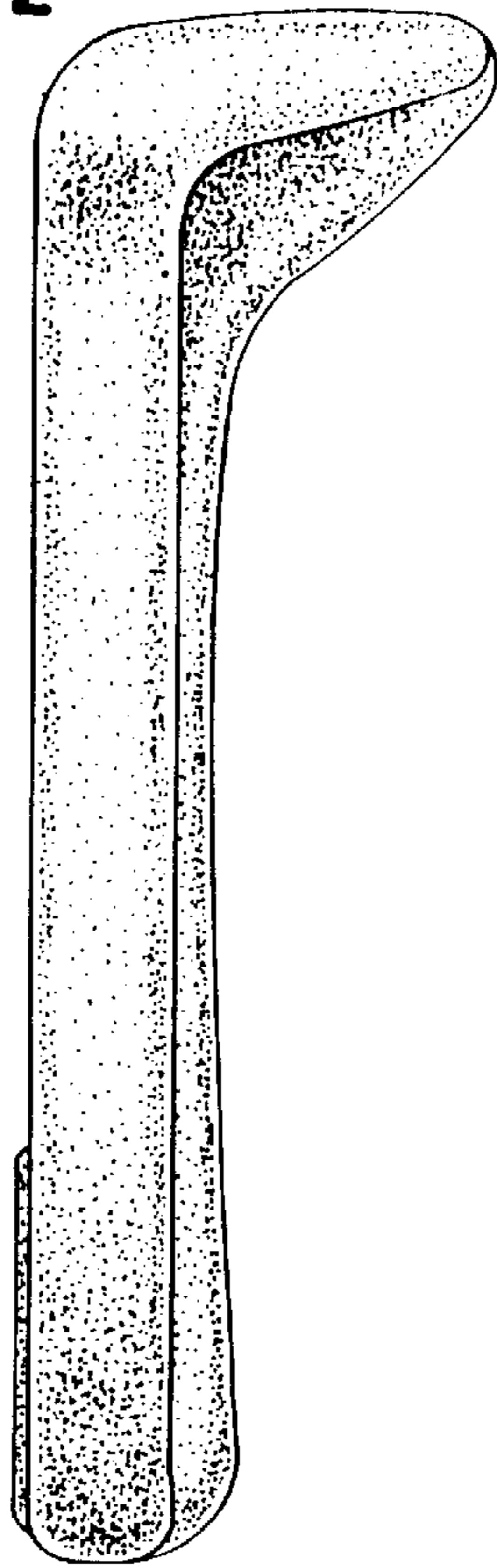


FIG. 3

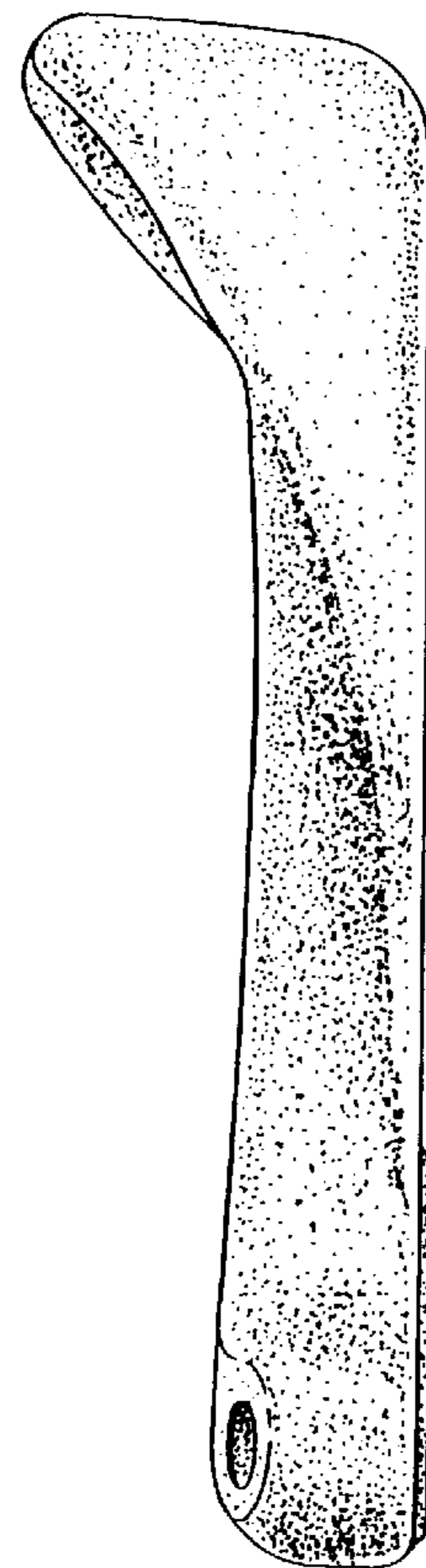


FIG. 4

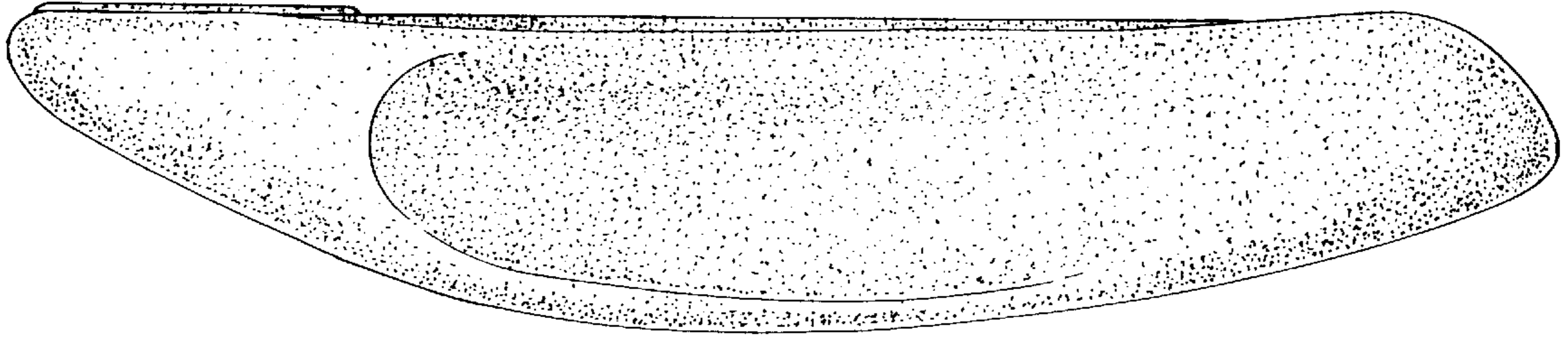


FIG. 5

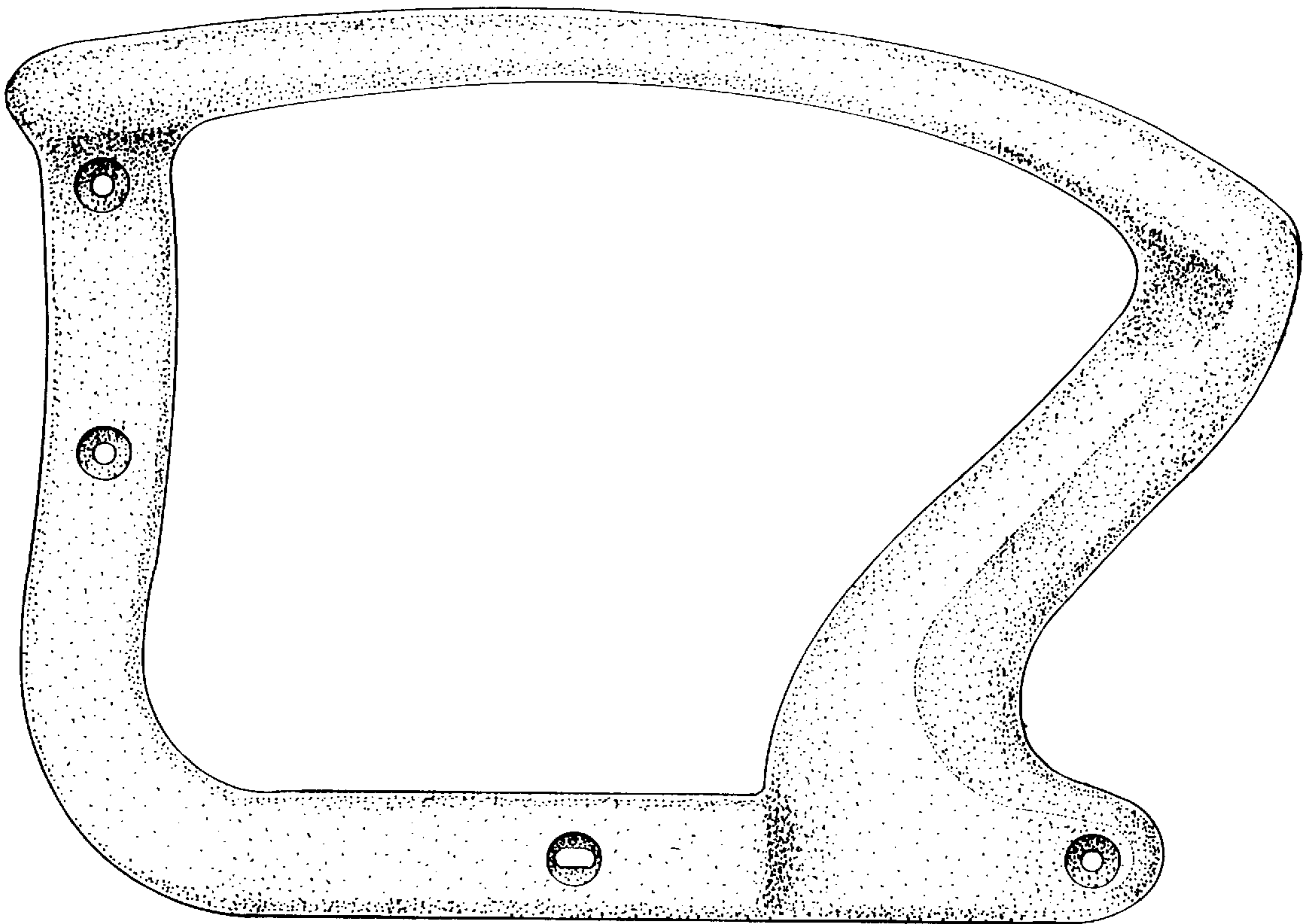


FIG. 6

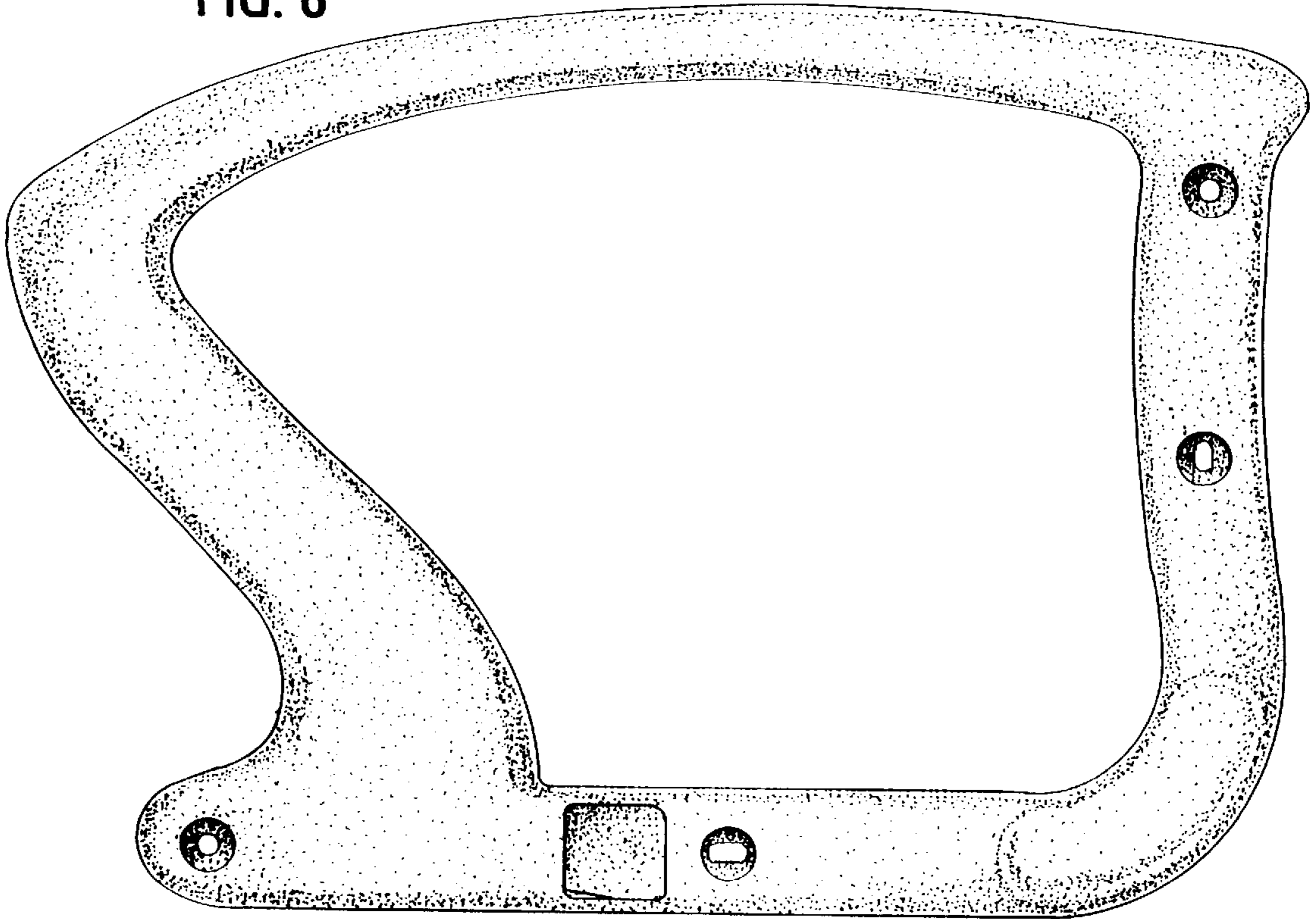


FIG. 7

