



US00D438730S

(12) **United States Design Patent**
D'Urso et al.

(10) **Patent No.:** **US D438,730 S**

(45) **Date of Patent:** **** Mar. 13, 2001**

(54) **TABLE**

(75) Inventors: **Joe D'Urso**, East Hampton; **Sherri Donghia**; **Thomas Fuchs**, both of New York, all of NY (US)

(73) Assignee: **Donghia Furniture/Textiles Ltd.**, New York, NY (US)

(**) Term: **14 Years**

(21) Appl. No.: **29/120,173**

(22) Filed: **Mar. 15, 2000**

(51) **LOC (7) Cl.** **06-03**

(52) **U.S. Cl.** **D6/480**

(58) **Field of Search** D6/480-489, 495, D6/499, 429, 430; 108/153.1, 155, 156, 157.1, 161; 248/188, 188.1, 188.8

(56) **References Cited**

U.S. PATENT DOCUMENTS

- D. 383,924 * 9/1997 Dormon et al. D6/480
- D. 385,728 * 11/1997 Mulligan et al. D6/480
- D. 399,374 * 10/1998 Schubert D6/480

D. 406,708 * 3/1999 Hilton D6/480

* cited by examiner

Primary Examiner—Janice E. Seeger

(74) *Attorney, Agent, or Firm*—Heslin & Rothenberg, P.C.

(57) **CLAIM**

The ornamental design for the table, as shown and described.

DESCRIPTION

FIG. 1 is a perspective view of the table comprising our new design;

FIG. 2 is a top plan view thereof;

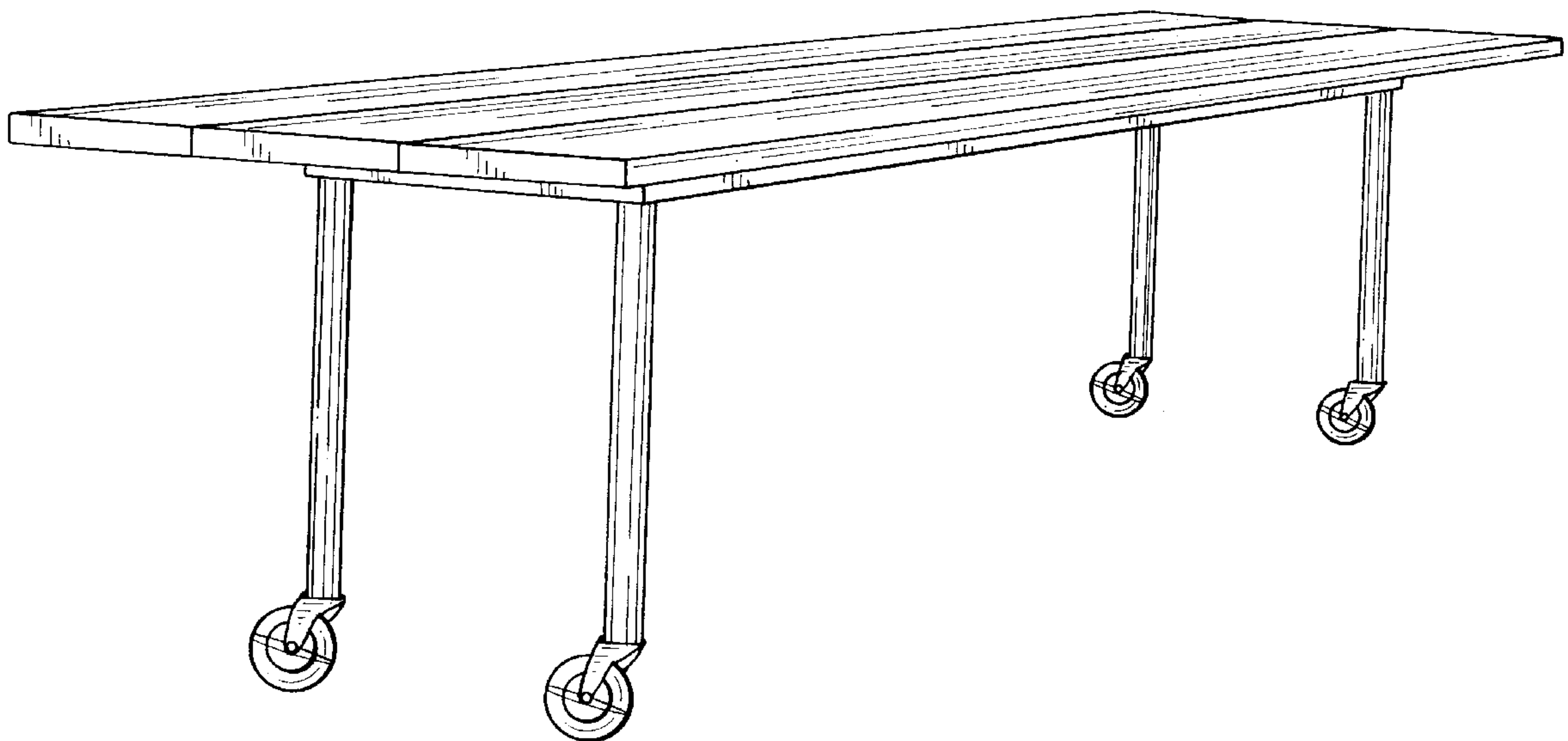
FIG. 3 is a front elevational view thereof, the rear elevational view being a mirror image thereof;

FIG. 4 is a right side elevational view of thereof, the left side elevational view being a mirror image thereof;

FIG. 5 is a bottom plan view thereof; and,

FIG. 6 is a front elevational view of a second embodiment of a table, a portion of which is cut away to illustrate indeterminate length which is the sole difference between it and FIGS. 1-5.

1 Claim, 3 Drawing Sheets



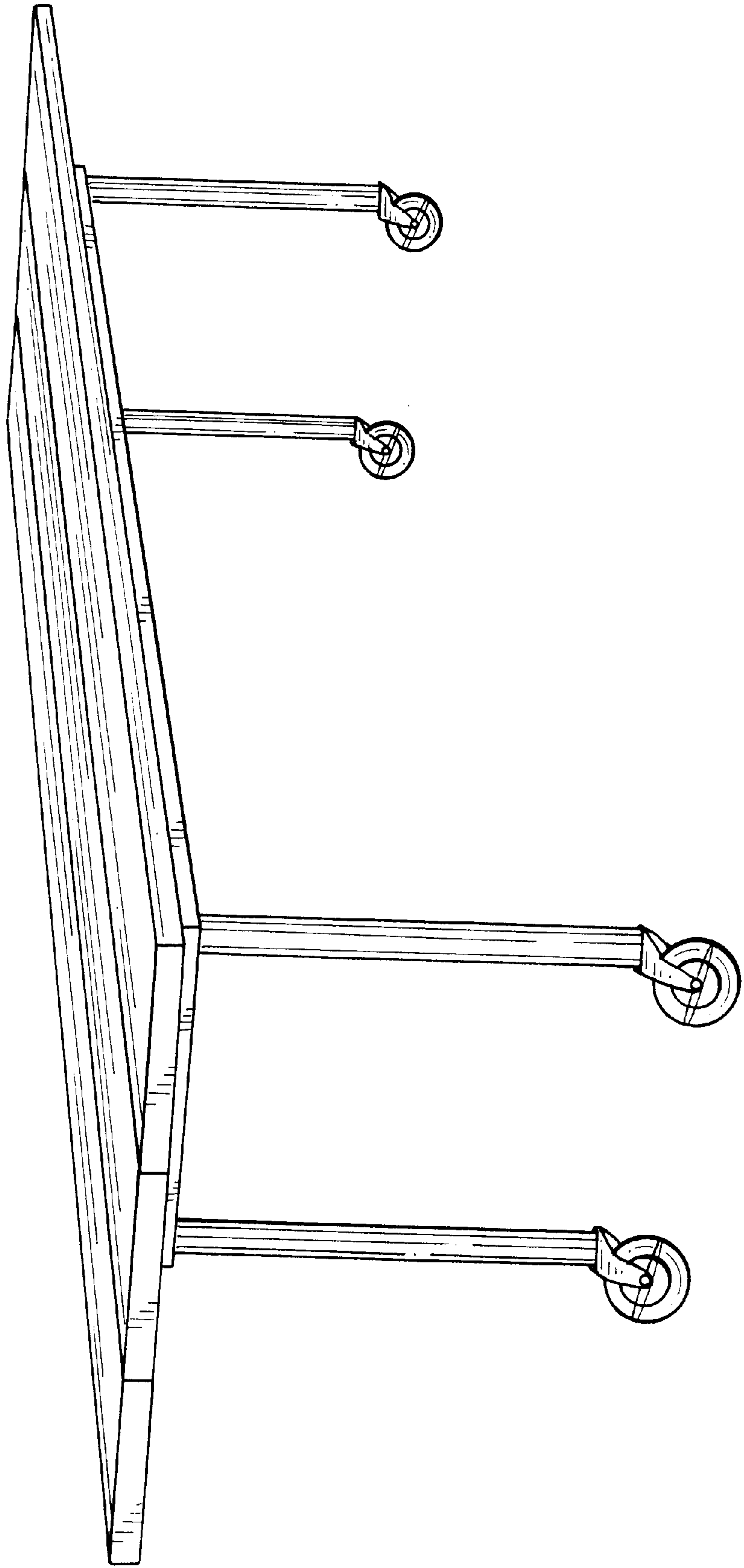


FIG. 1

FIG. 2

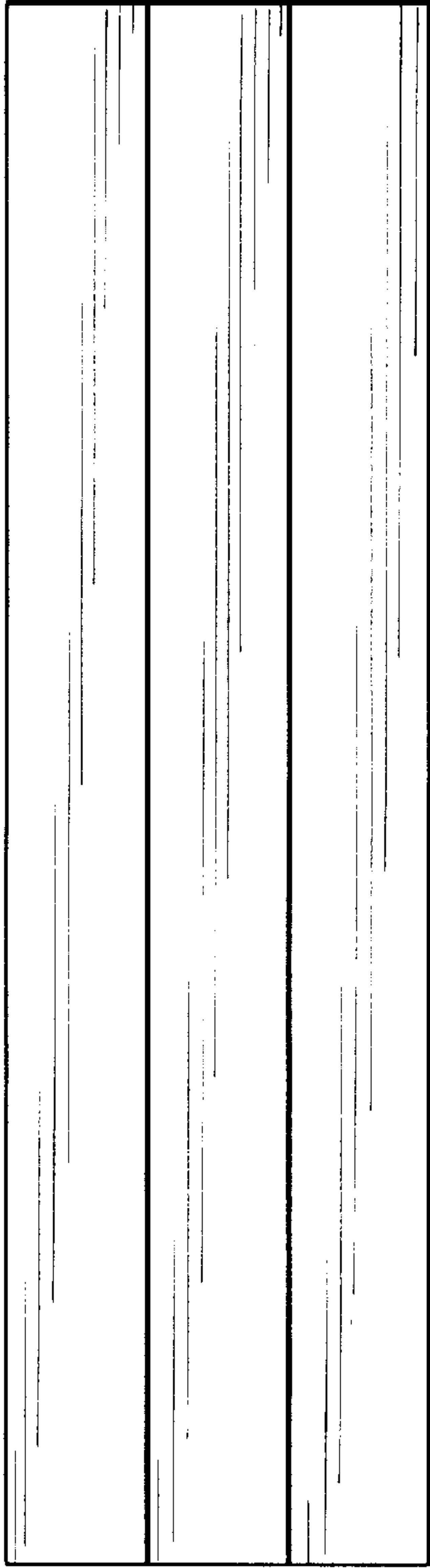


FIG. 3

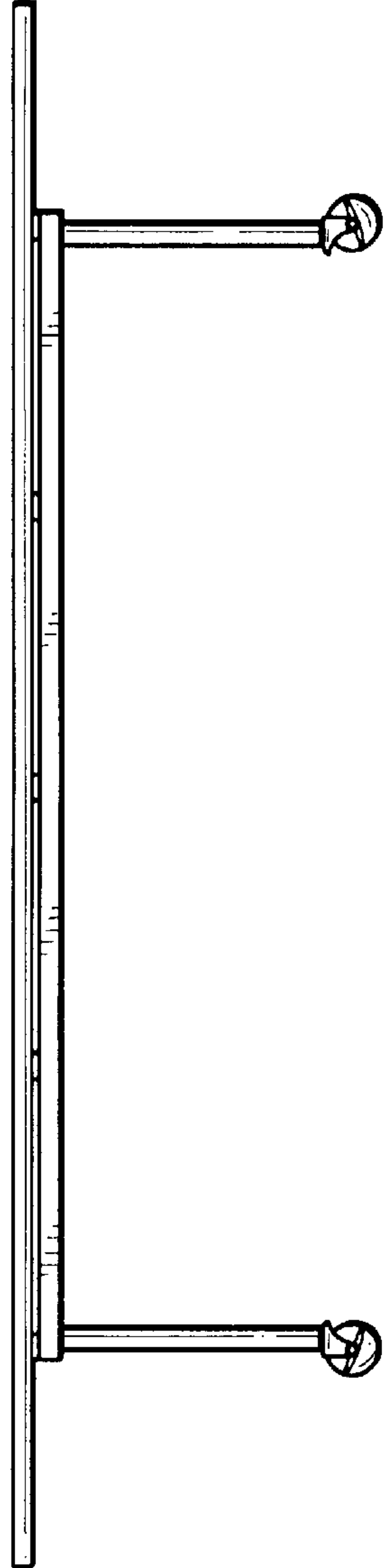


FIG. 4

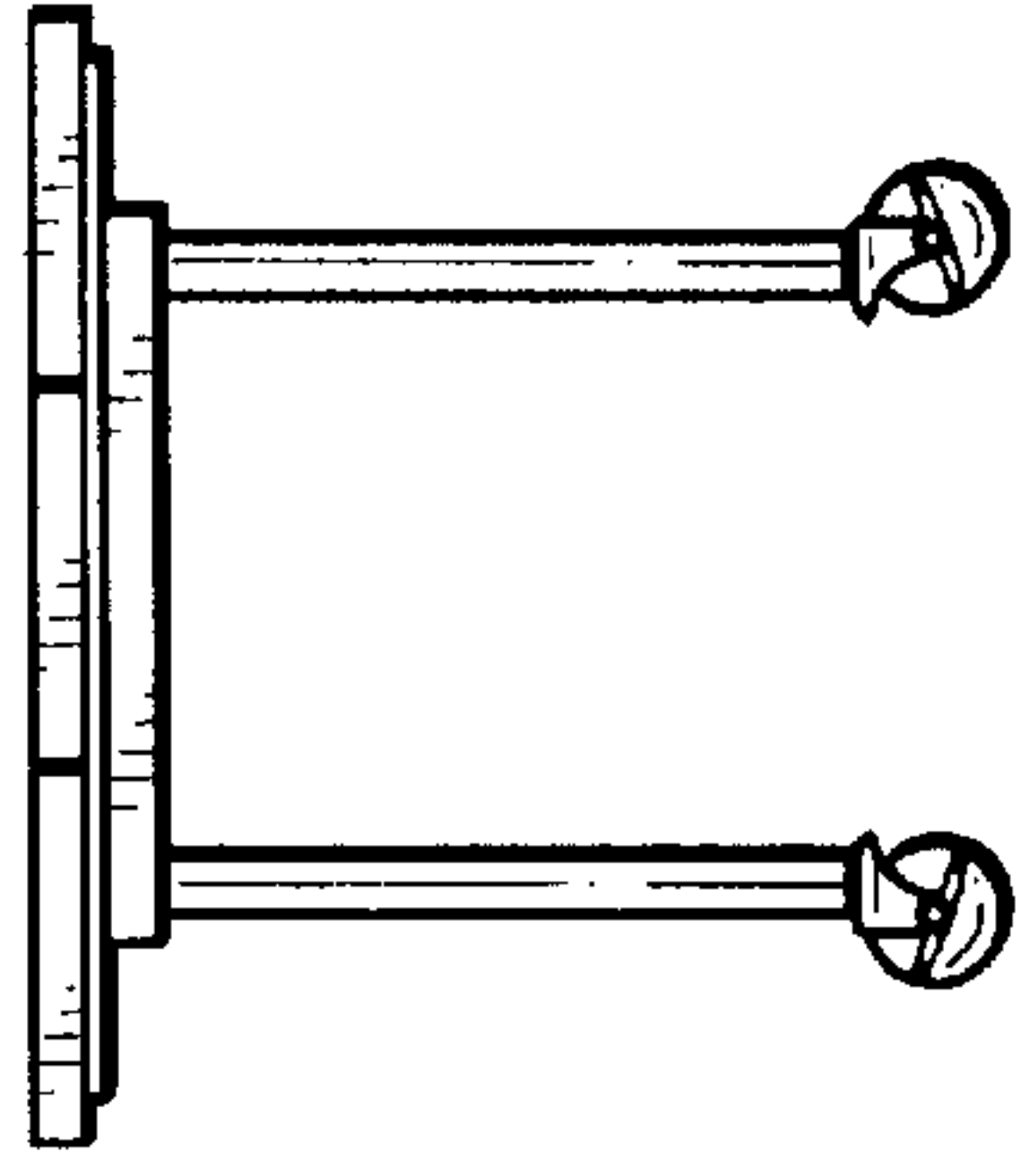


FIG. 5

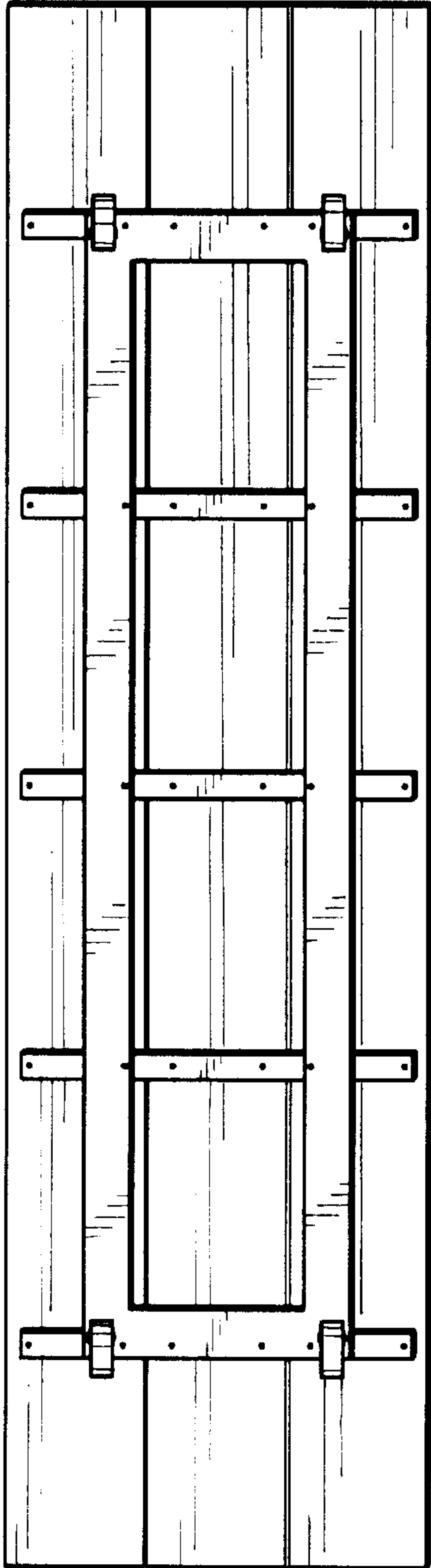


FIG. 6

