



US00D438729S

(12) **United States Design Patent**
Sikora

(10) **Patent No.:** **US D438,729 S**

(45) **Date of Patent:** **** Mar. 13, 2001**

(54) **DISPLAY STAND IN THE SHAPE OF A CHRISTMAS TREE**

(76) **Inventor:** **Reiner Sikora**, Robert-Koch-Strasse 14,
D-76698 Ubstadt-Weiher (DE)

(**) **Term:** **14 Years**

(21) **Appl. No.:** **29/106,732**

(22) **Filed:** **Jun. 21, 1999**

(30) **Foreign Application Priority Data**

Dec. 19, 1998 (DE) 4 98 12 427
Feb. 20, 1999 (DE) 4 99 01 771

(51) **LOC (7) Cl.** **06-04**

(52) **U.S. Cl.** **D6/450; D11/118**

(58) **Field of Search** D6/450, 476, 477,
D6/479; D11/118, 124; 108/59, 150; 211/13.1,
40, 49.1, 70, 85.26, 95, 144; 428/7, 18,
19

(56) **References Cited**

U.S. PATENT DOCUMENTS

D. 65,109 * 7/1924 Dieperink-Langerus D11/118

D. 157,082 * 1/1950 Patton D11/118 X
D. 323,634 * 2/1992 Green D11/118
D. 325,134 * 4/1992 Bustos D6/476 X
D. 354,928 * 1/1995 Hoffman et al. D11/118
D. 414,056 * 7/1924 Palm et al. D6/450

* cited by examiner

Primary Examiner—Cathron Brooks

(74) *Attorney, Agent, or Firm*—Collard & Roe, PC

(57) **CLAIM**

The ornamental design for a display stand in the shape of a Christmas tree, as shown and described.

DESCRIPTION

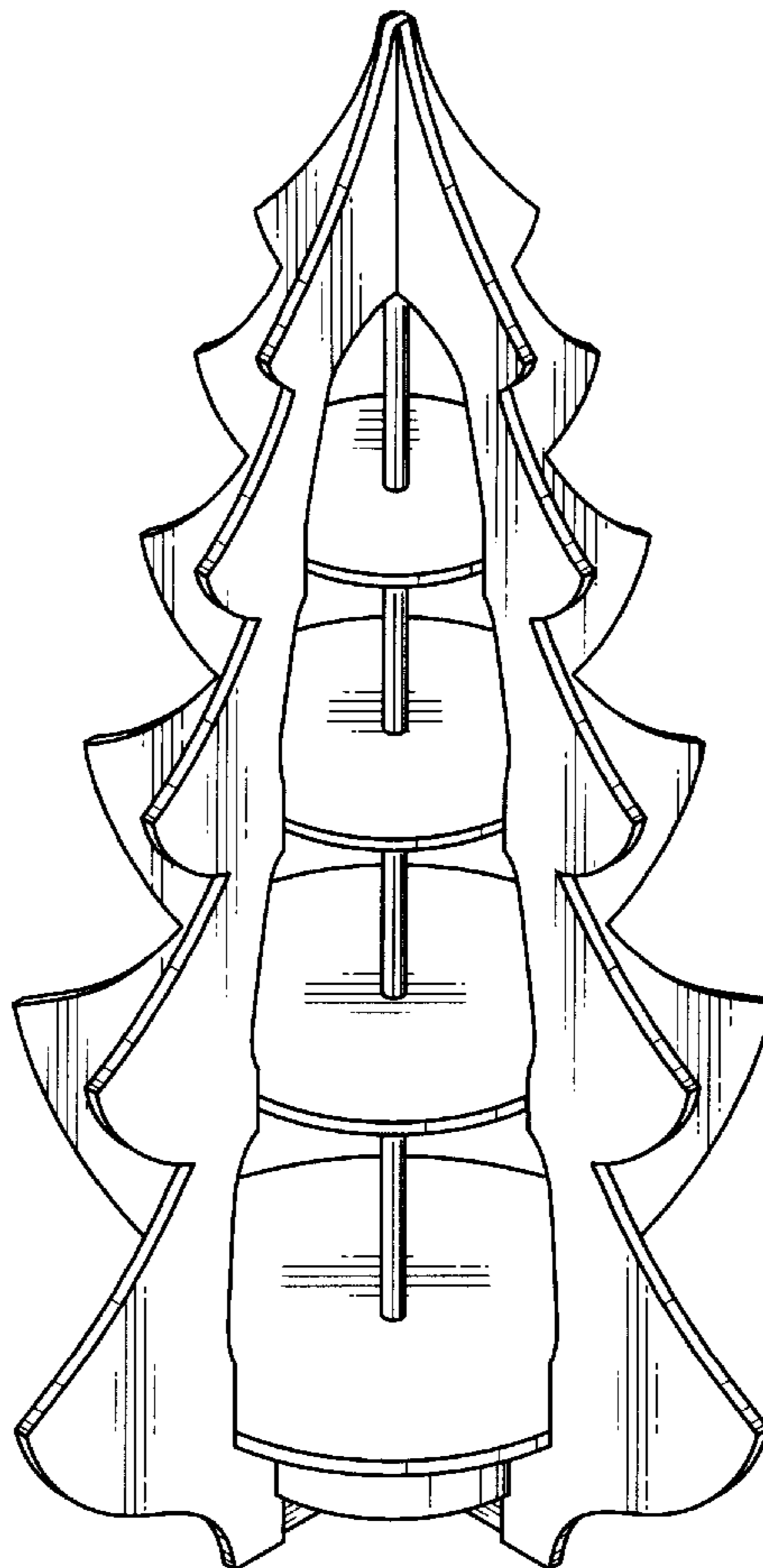
FIG. 1 is a perspective view of a display stand in the shape of a Christmas tree, showing my design;

FIG. 2 is a side view thereof, the other three side views being identical;

FIG. 3 is a top view thereof; and,

FIG. 4 is bottom view thereof.

1 Claim, 2 Drawing Sheets



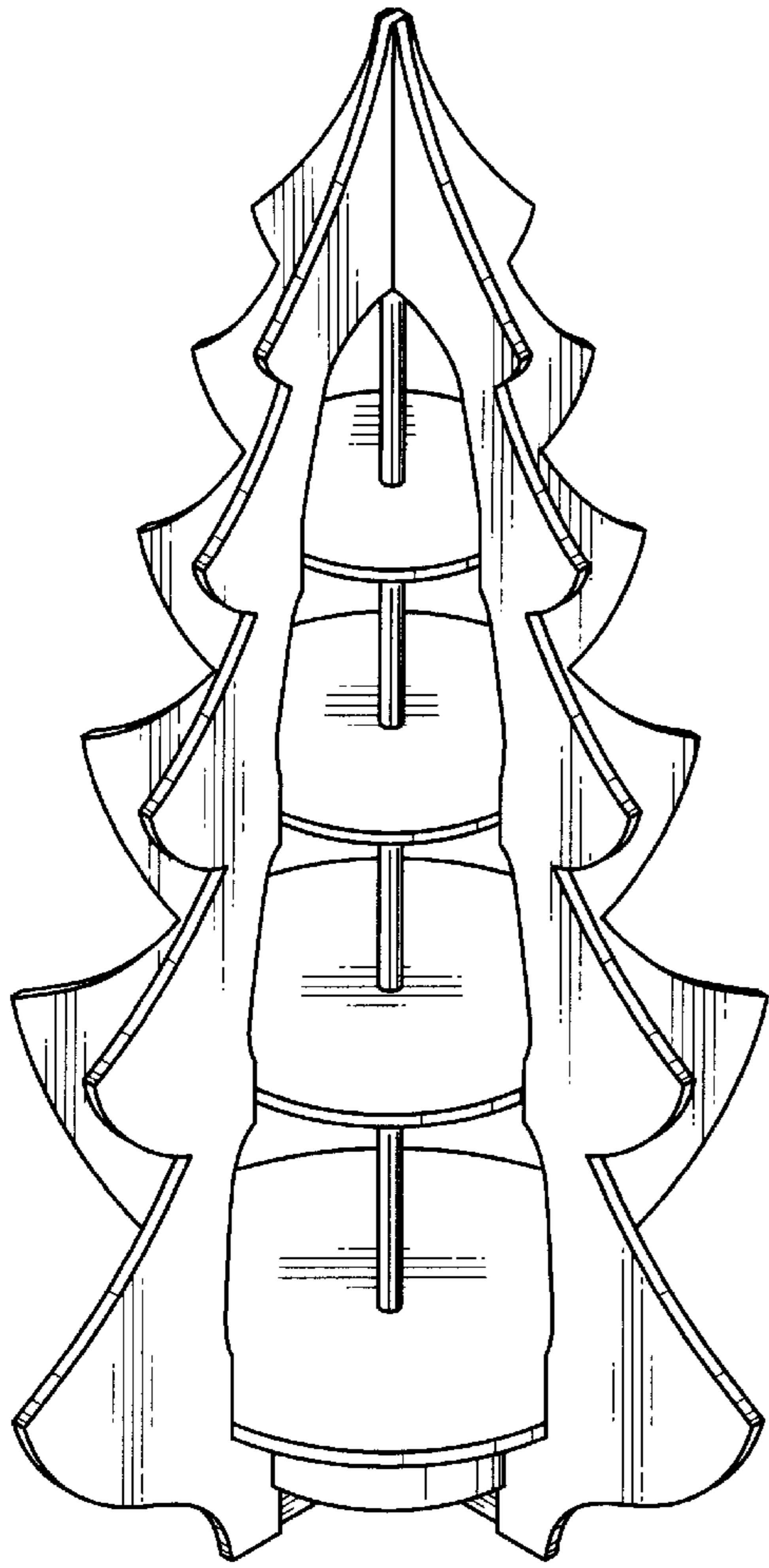


FIG. 1

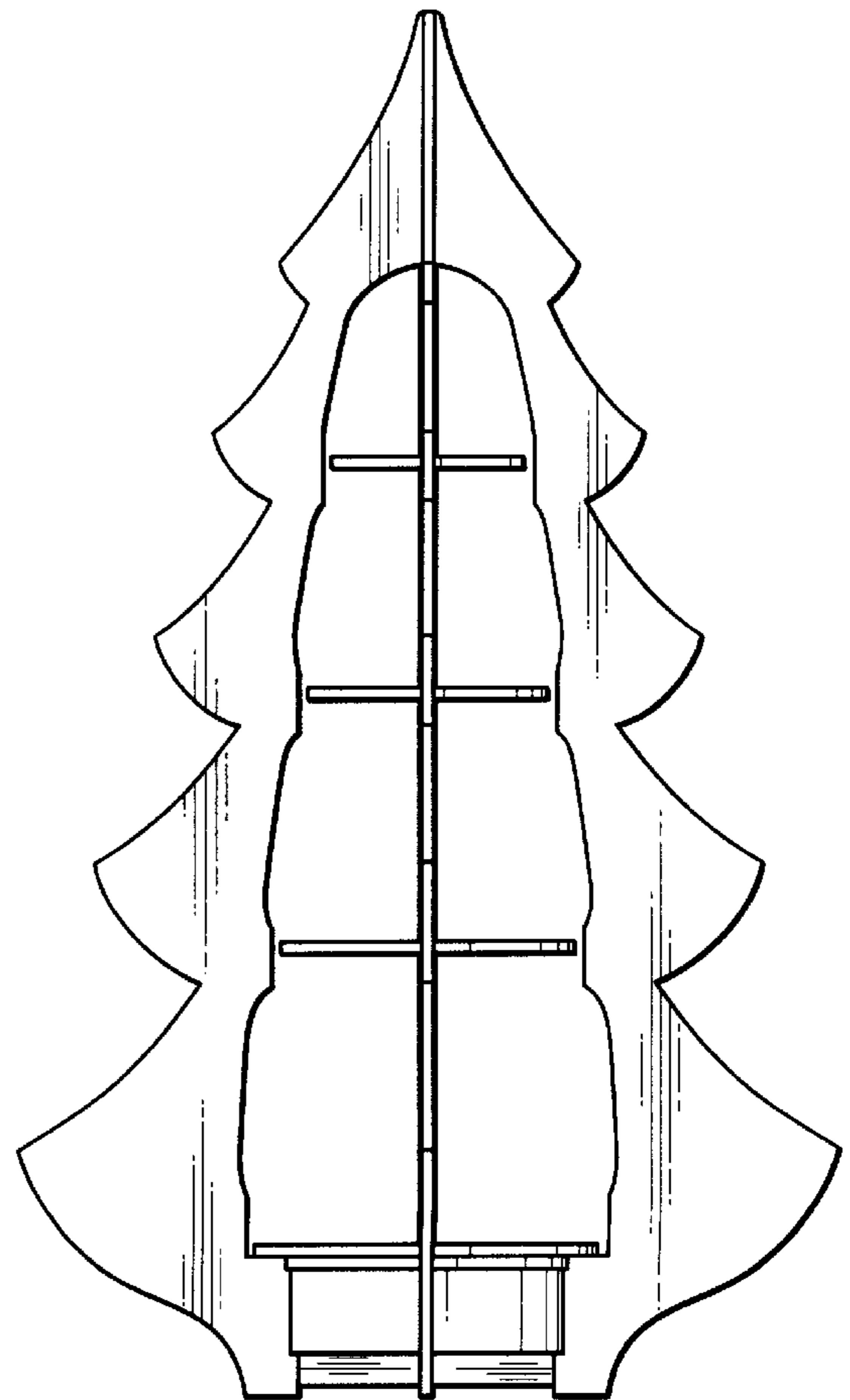


FIG. 2

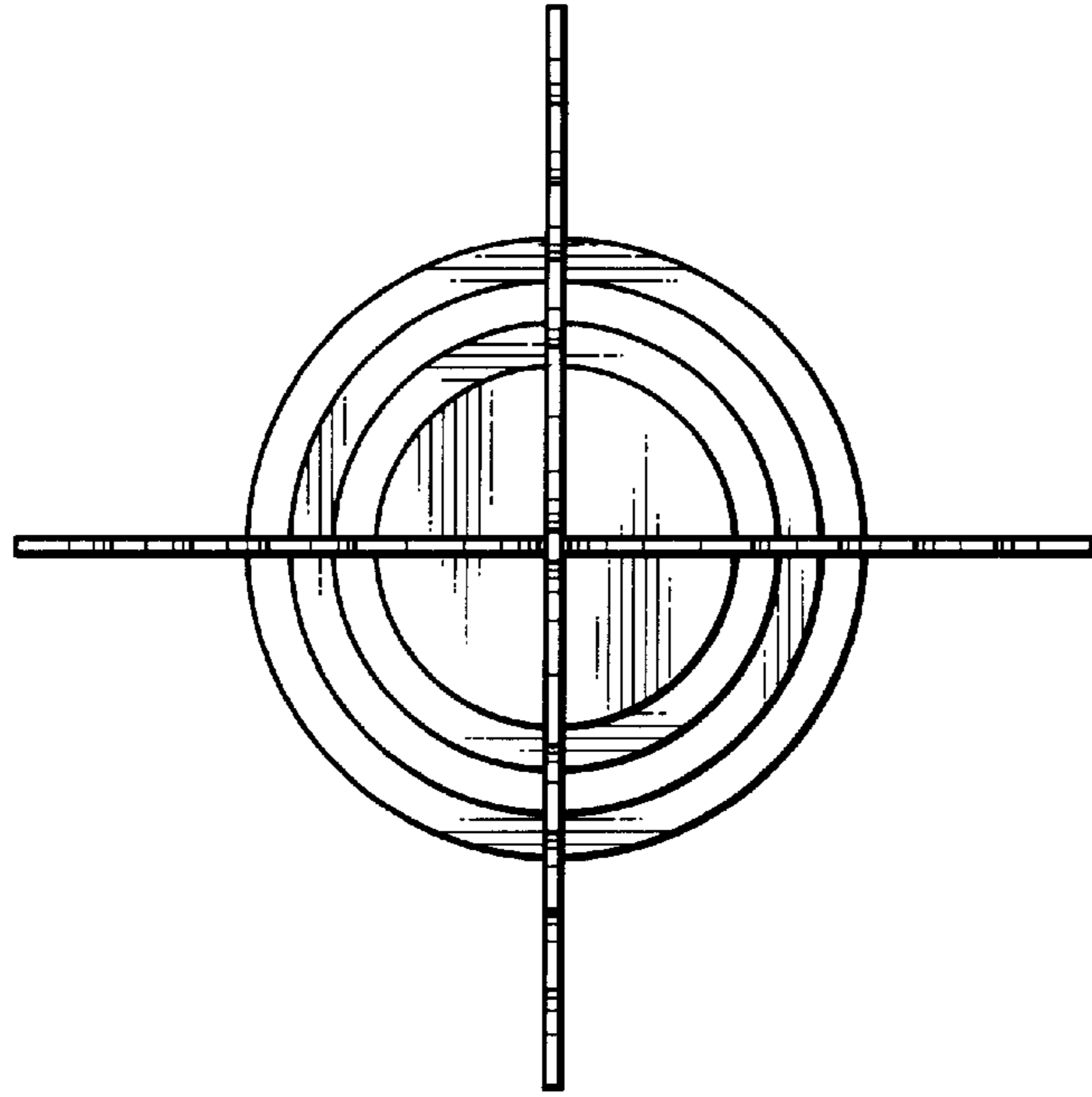


FIG. 3

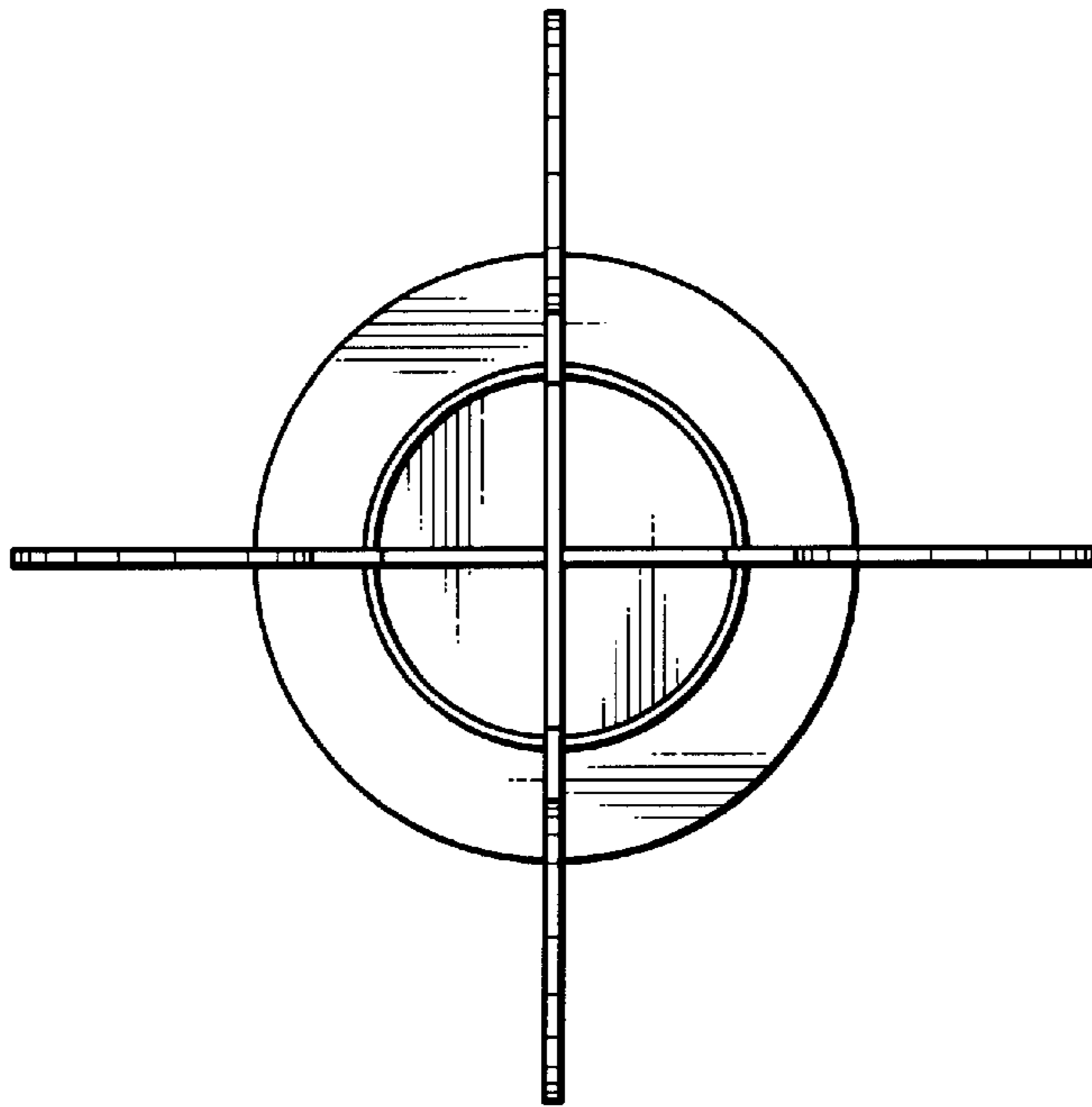


FIG. 4