



US00D438725S

(12) **United States Design Patent**  
**Takahashi**

(10) **Patent No.:** **US D438,725 S**

(45) **Date of Patent:** **\*\* Mar. 13, 2001**

(54) **ARM SUPPORT**

(75) **Inventor:** **Koji Takahashi, Yamagata (JP)**

(73) **Assignee:** **Hitachi Koki Co., Ltd., Tokyo (JP)**

(\*\*) **Term:** **14 Years**

(21) **Appl. No.:** **29/123,150**

(22) **Filed:** **May 10, 2000**

(30) **Foreign Application Priority Data**

Nov. 26, 1999 (JP) ..... 11-32719

(51) **LOC (7) Cl.** ..... **06-06**

(52) **U.S. Cl.** ..... **D6/418; D6/501**

(58) **Field of Search** ..... D6/491, 500-503,  
D6/511, 418; 248/118.1, 13, 15; 297/411.23,  
411.24, 411.26, 411.35, 411.36; 400/715

(56) **References Cited**

**U.S. PATENT DOCUMENTS**

- D. 253,568 12/1979 Brink .
- D. 311,829 \* 11/1990 Vossoughi ..... D6/418
- D. 318,589 \* 7/1991 Szadkowski ..... D6/501

- D. 377,125 \* 1/1997 Adamsson ..... D6/418
- 5,074,501 \* 12/1991 Holtta ..... 248/118.3
- 5,405,109 \* 4/1995 Nordnes ..... 248/118.3

**OTHER PUBLICATIONS**

A catalog of "Ergorest" which is a product of USP 5,074, 501.

A catalog of "DataArm" which is a product sold by AliMed.

\* cited by examiner

*Primary Examiner*—Janice E. Seeger

(74) *Attorney, Agent, or Firm*—McDermott, Will & Emery

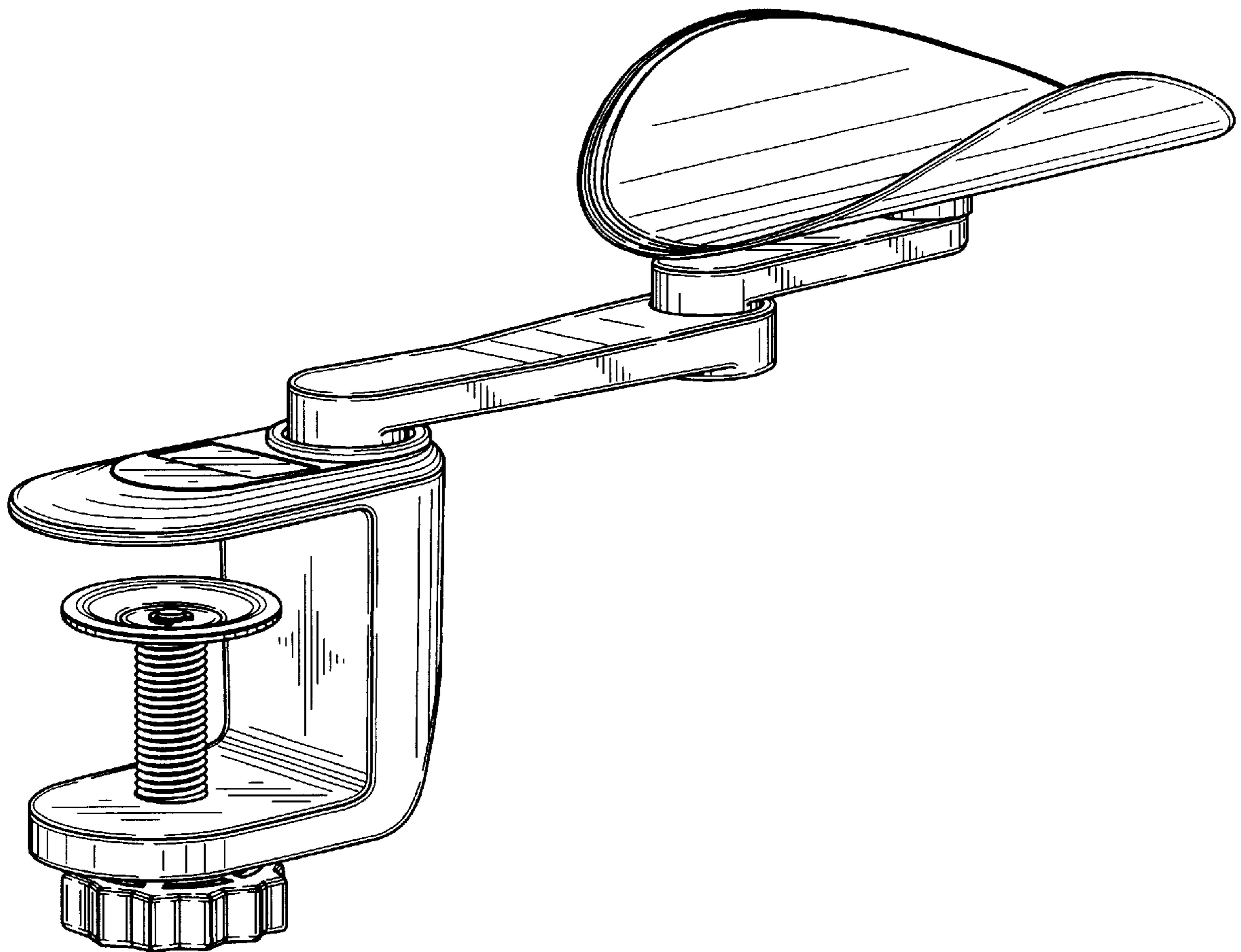
(57) **CLAIM**

The ornamental design for an arm support, as shown.

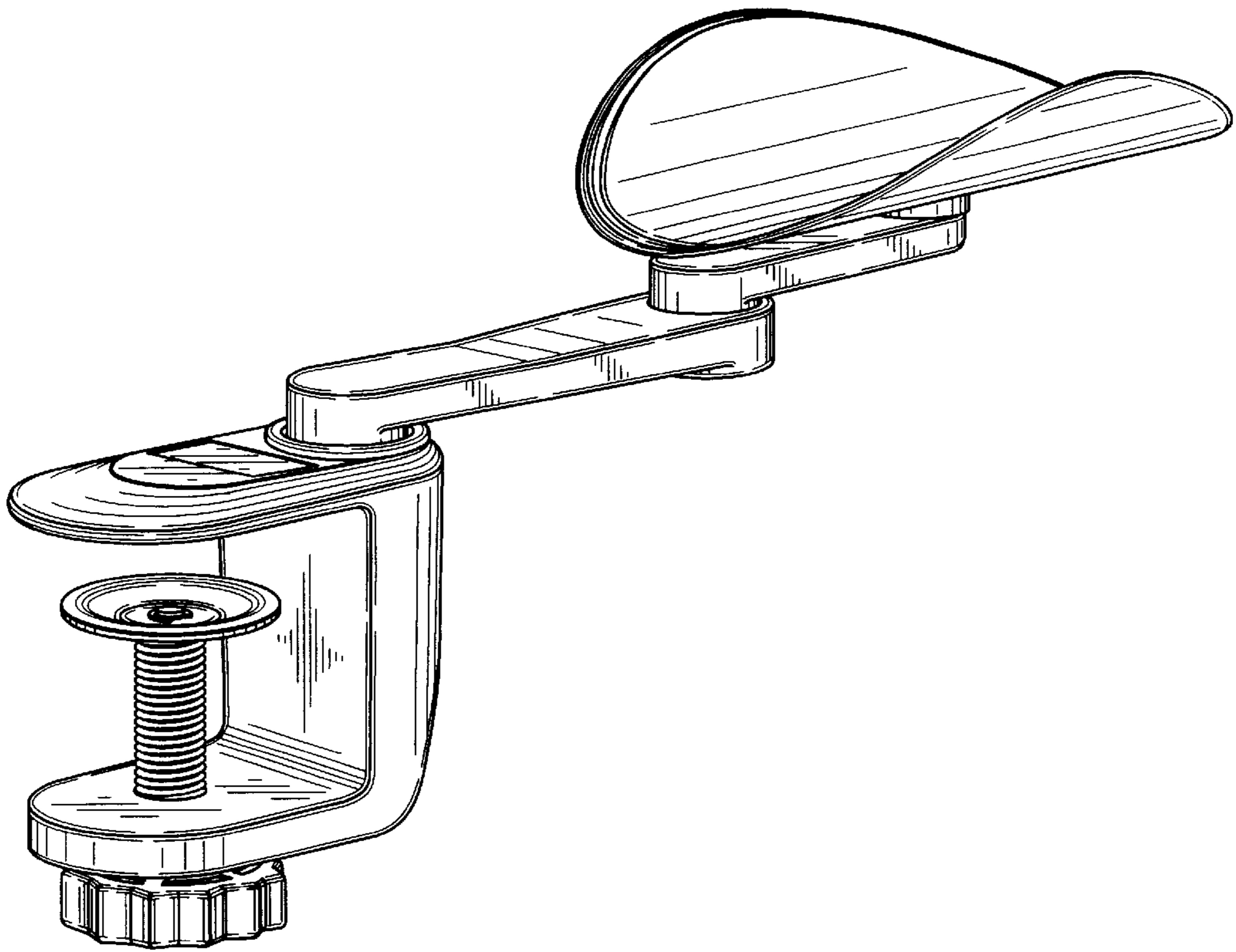
**DESCRIPTION**

FIG. 1 is a front perspective view of the arm support;  
 FIG. 2 is a front elevational view thereof;  
 FIG. 3 is a top plan view thereof;  
 FIG. 4 is a bottom plan view thereof;  
 FIG. 5 is a left side elevational view thereof;  
 FIG. 6 is a right side elevational view thereof; and,  
 FIG. 7 is a rear elevational view thereof.

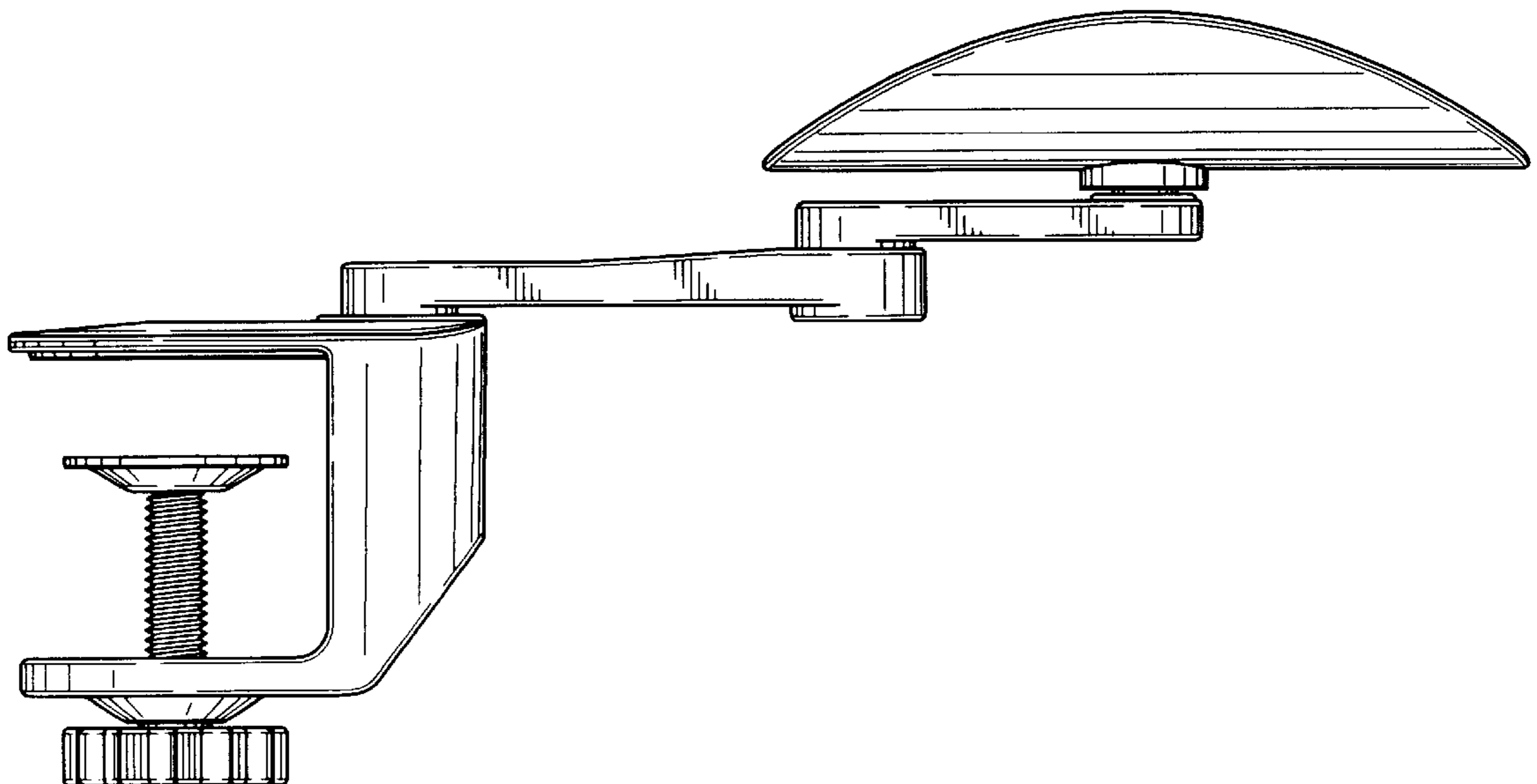
**1 Claim, 3 Drawing Sheets**



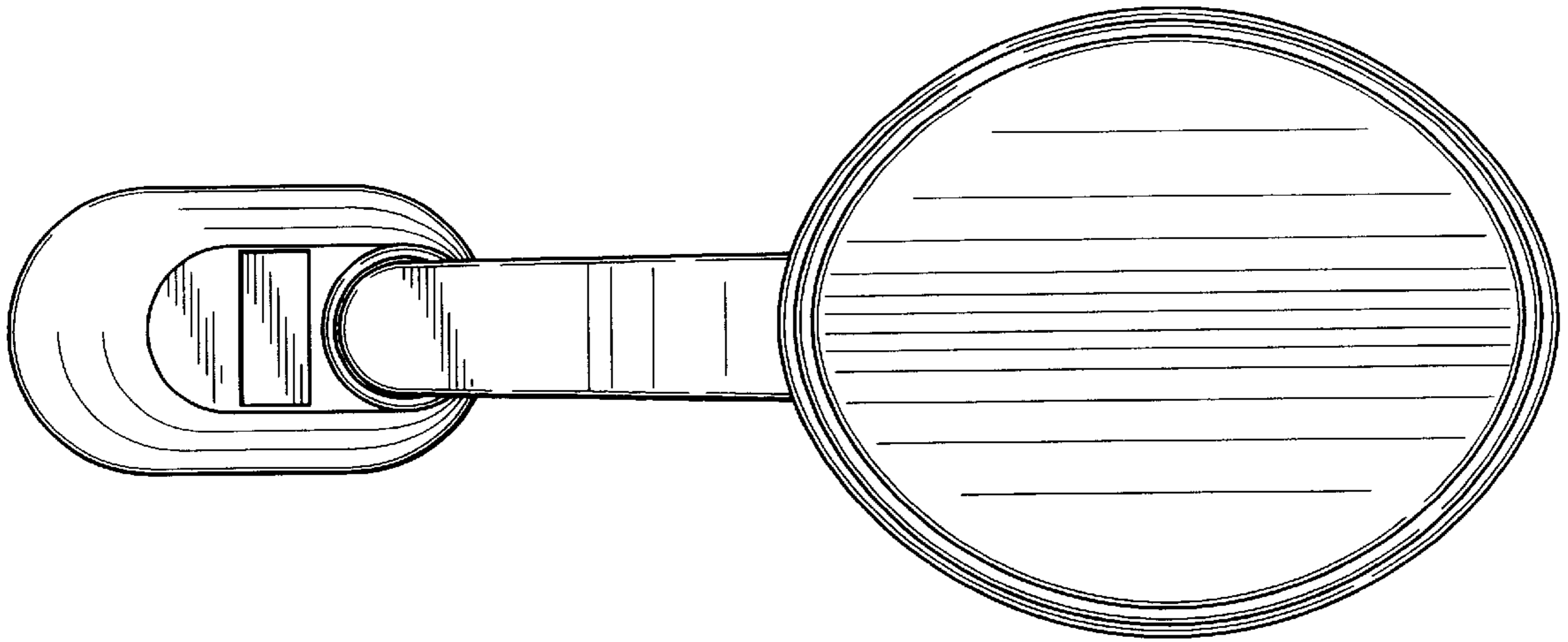
*FIG. 1*



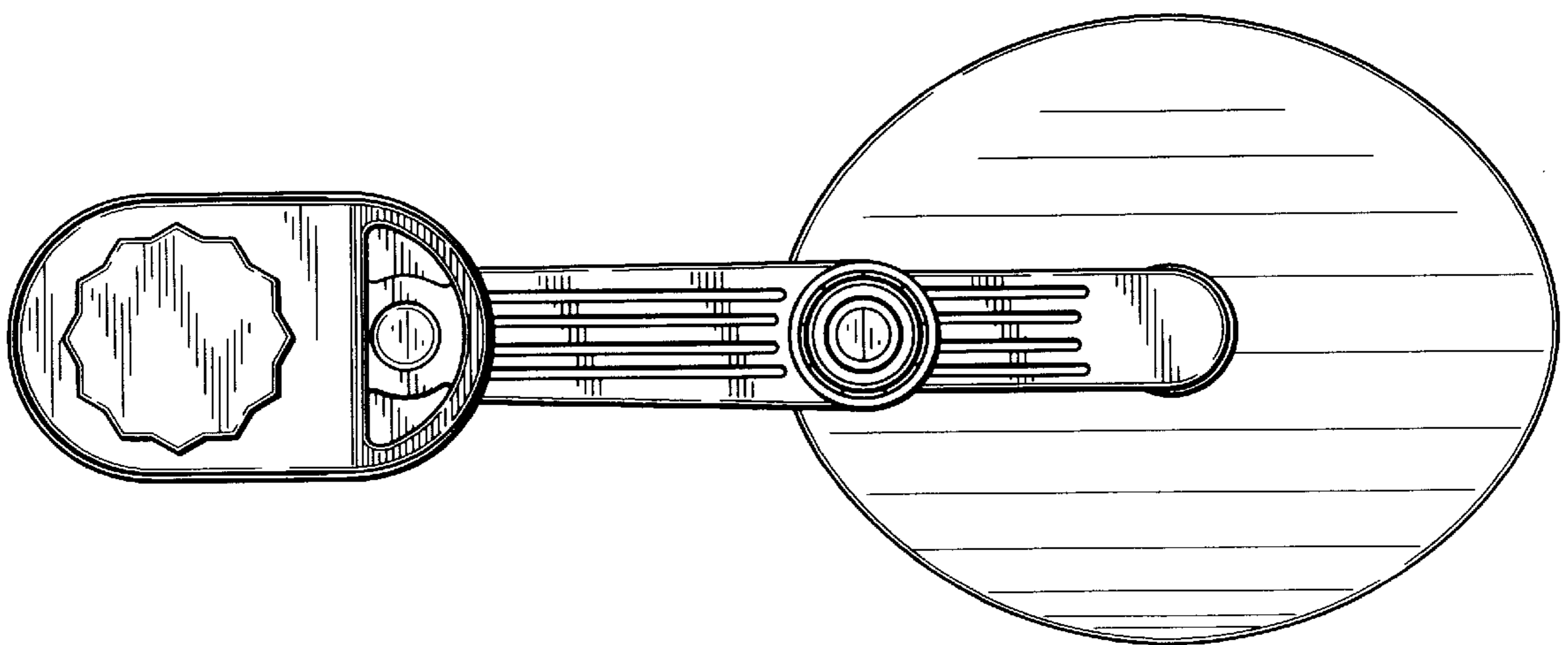
*FIG. 2*



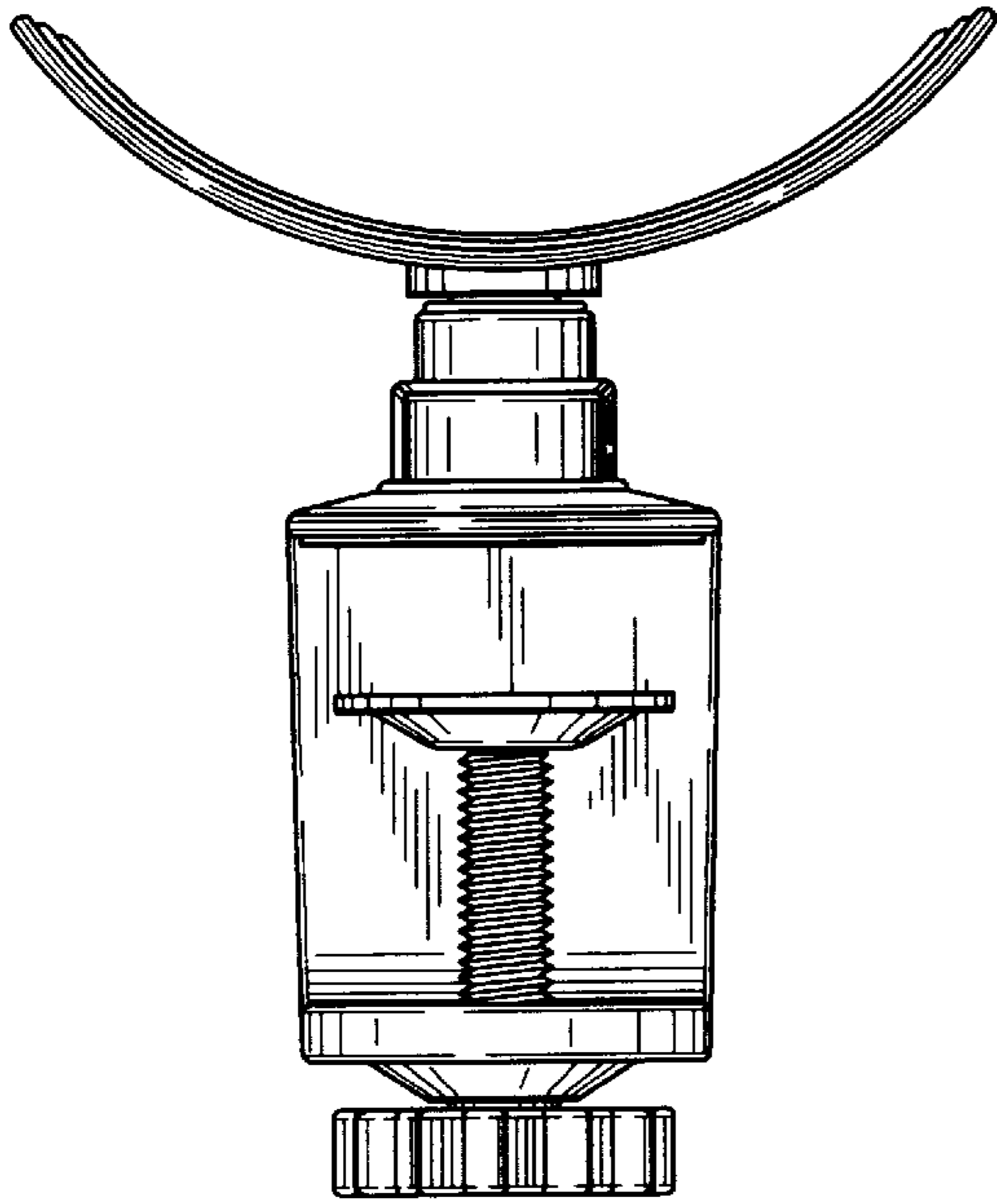
*FIG. 3*



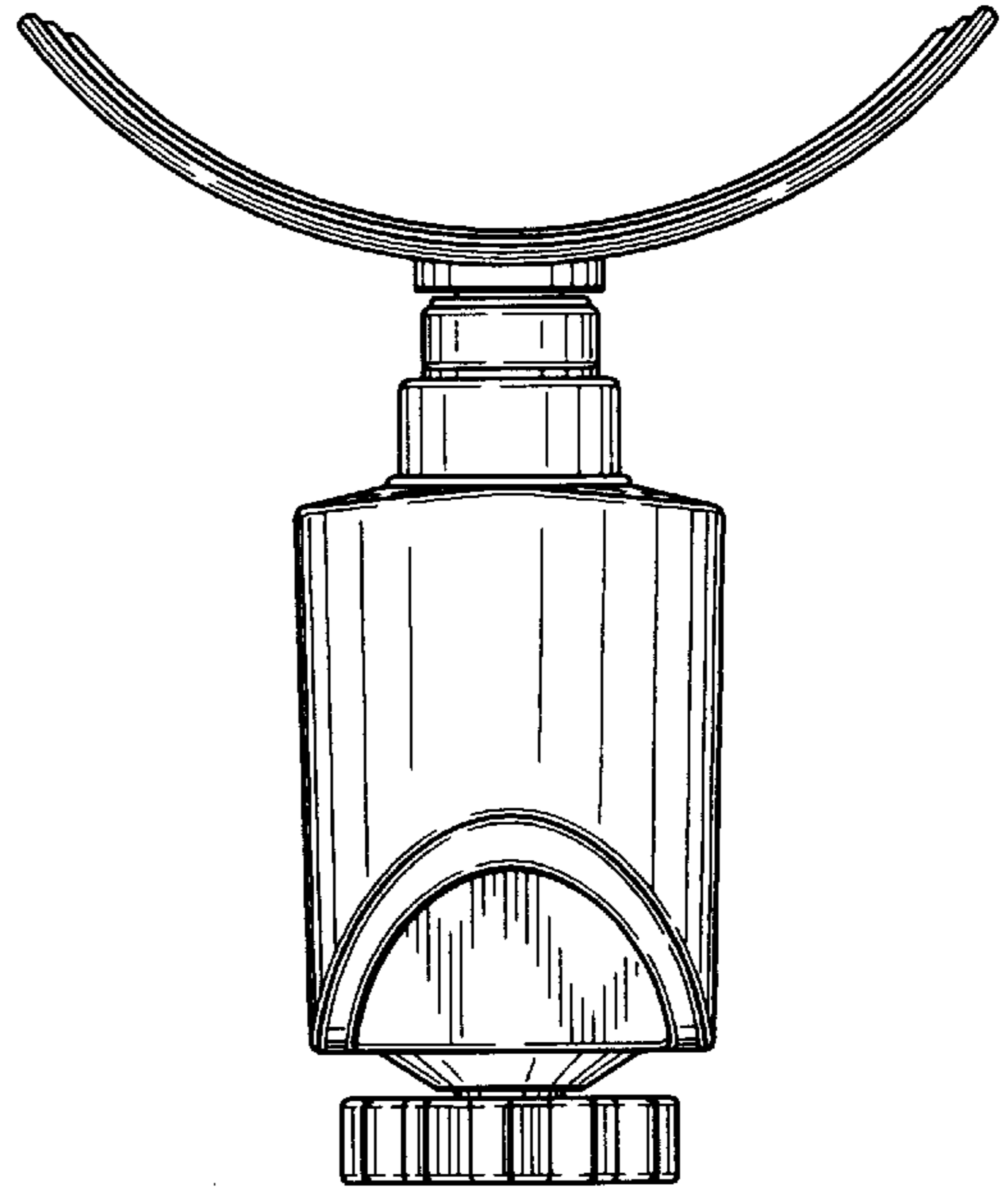
*FIG. 4*



*FIG. 5*



*FIG. 6*



*FIG. 7*

