



US00D438716S

(12) **United States Design Patent**
Longenecker

(10) **Patent No.:** **US D438,716 S**

(45) **Date of Patent:** **** Mar. 13, 2001**

(54) **CAR SEAT BASE**

(75) Inventor: **Michael L. Longenecker**, Ephrata, PA (US)

(73) Assignee: **Graco Children's Products Inc.**, Elverson, PA (US)

(**) Term: **14 Years**

(21) Appl. No.: **29/109,635**

(22) Filed: **Aug. 19, 1999**

(51) **LOC (7) Cl.** **06-01**

(52) **U.S. Cl.** **D6/333; D6/500**

(58) **Field of Search** D6/333, 334, 335, D6/356, 390, 391, 491, 500, 501, 502; 297/130, 183.1, 183.3, 229, 250.1, 256.16, 256.17, 467; D8/395

(56) **References Cited**

U.S. PATENT DOCUMENTS

D. 30,701	*	5/1899	Haslup	D8/395
D. 373,028	*	8/1996	Kain	D6/333
D. 376,919		12/1996	Sedlack	D6/333
D. 378,531	*	3/1997	Szikszay	D8/395
D. 394,745	*	6/1998	Egelja	D8/395
D. 417,568	*	12/1999	Pike	D6/500
D. 424,311	*	5/2000	Geis et al.	D6/333
2,614,305	*	10/1952	Yearley	D8/395
4,634,177		1/1987	Meeker	297/250
4,733,909	*	3/1988	Single, II et al.	297/256.16
4,943,113	*	7/1990	Meeker	297/250.1
5,551,751		9/1996	Sedlack et al.	297/256.13
5,722,719		3/1998	Glomstad	297/216.11
5,746,478		5/1998	Lumley et al.	297/256.13

OTHER PUBLICATIONS

Catalog, "Car Seats—Infant Car Seats," Evenflo, pp. 52–53 (1998).

Catalog, "Infant Car Seats," Kolcraft, pp. 4–5 (1998).

Catalog, "Infant Car Seat," Century, pp. 3–4 (1999).

Catalog, "#639001 Auto Base," Evenflo, 1 page, (1999).

* cited by examiner

Primary Examiner—Doris V. Coles

Assistant Examiner—Mimosa De

(74) *Attorney, Agent, or Firm*—Foley & Lardner

(57) **CLAIM**

The ornamental design for a car seat base therefor, as shown and described.

DESCRIPTION

FIG. 1 is a perspective view of a first embodiment of a car seat base showing my new design;

FIG. 2 is a top plan view thereof;

FIG. 3 is a bottom plan view thereof;

FIG. 4 is a right-side elevation view thereof;

FIG. 5 is a left-side elevation view thereof;

FIG. 6 is a front elevation view thereof;

FIG. 7 is a back elevation view thereof;

FIG. 8 is a perspective view of a second embodiment of a car seat base showing my new design;

FIG. 9 is a top plan view thereof;

FIG. 10 is a bottom plan view thereof;

FIG. 11 is a right-side elevation view thereof;

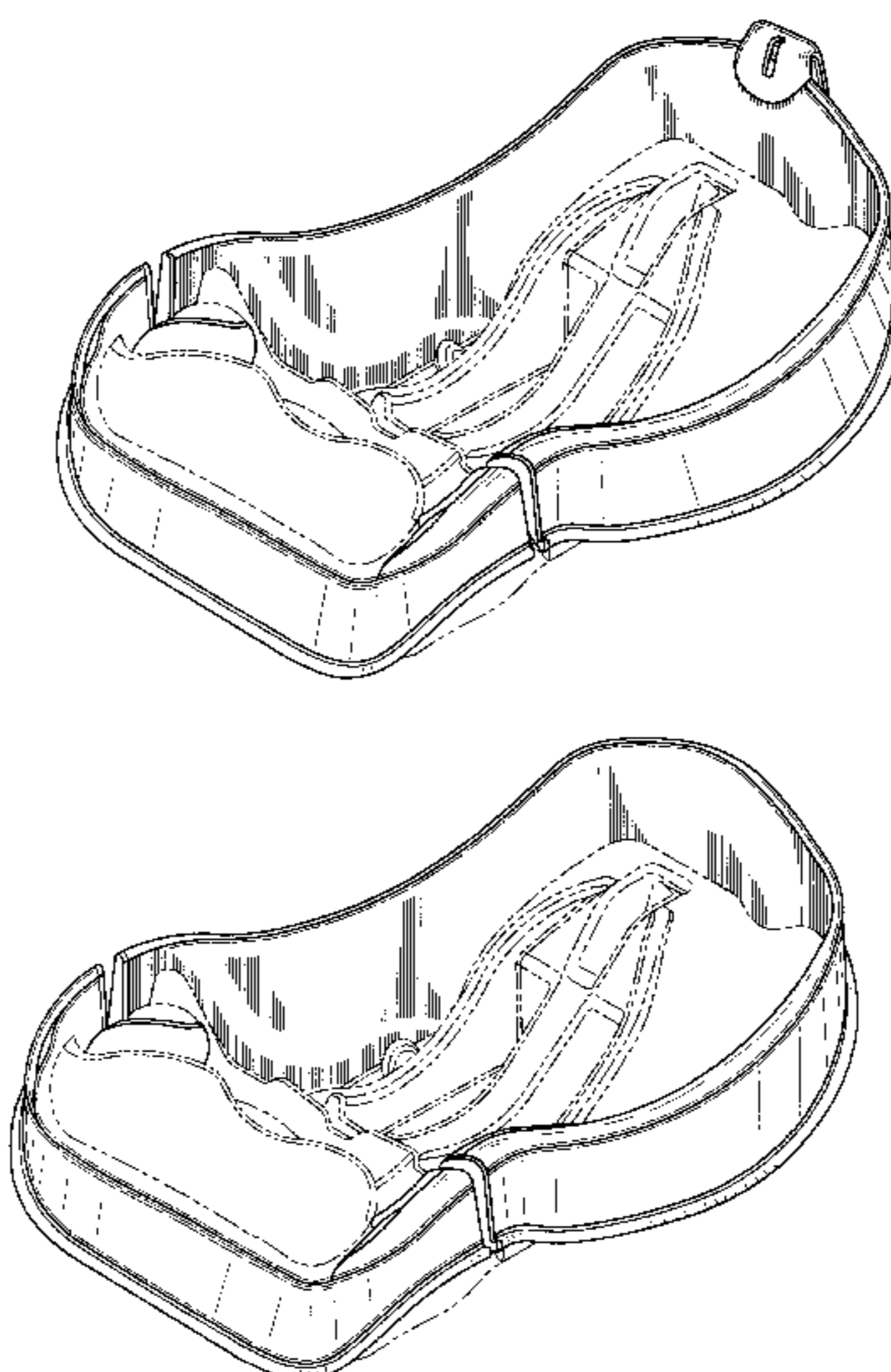
FIG. 12 is a left-side elevation view thereof;

FIG. 13 is a front elevation view thereof; and,

FIG. 14 is a back elevation view thereof.

The broken line in all views of the drawing is for illustrative purposes only and forms no part of the claimed design.

1 Claim, 10 Drawing Sheets



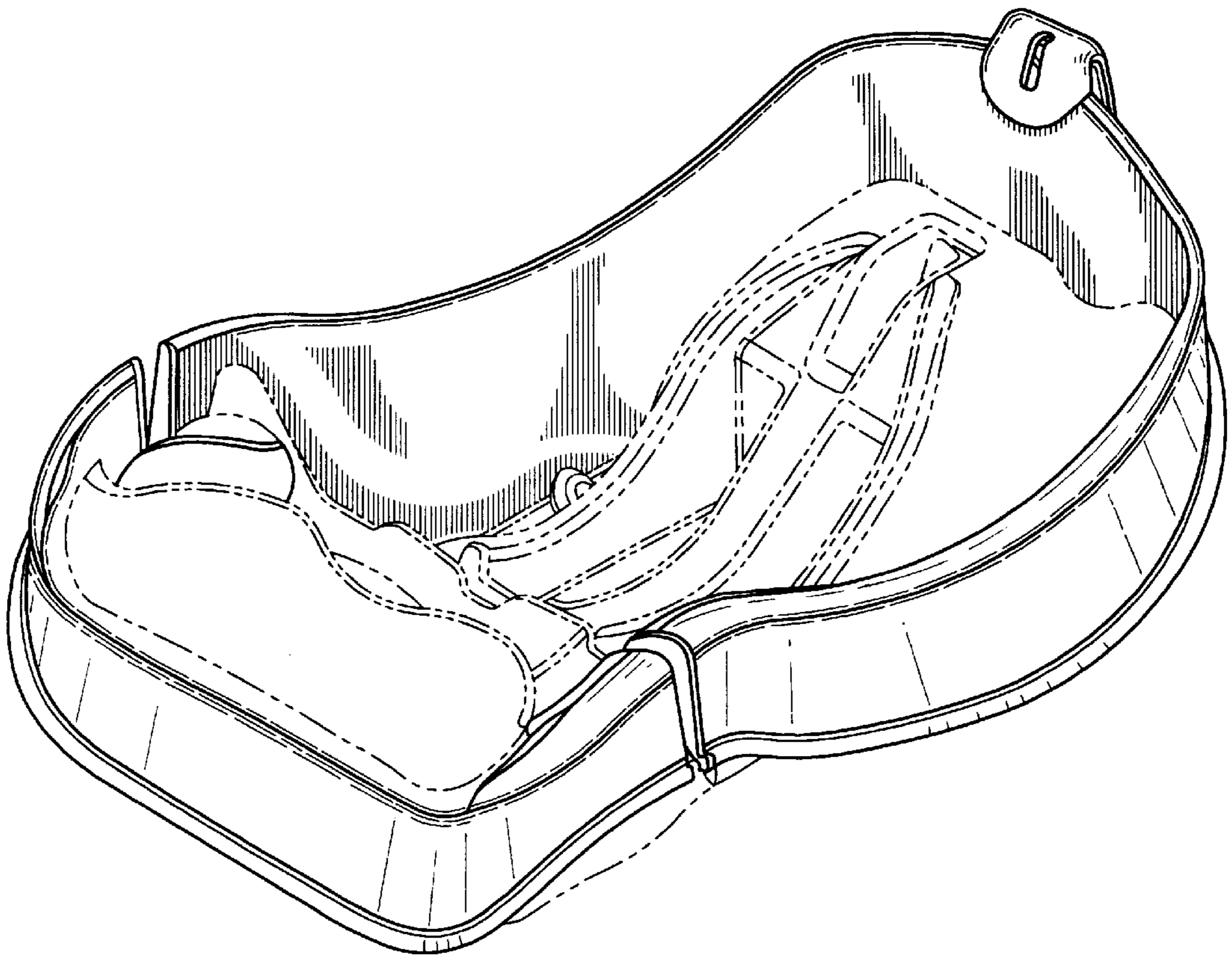


FIG. 1

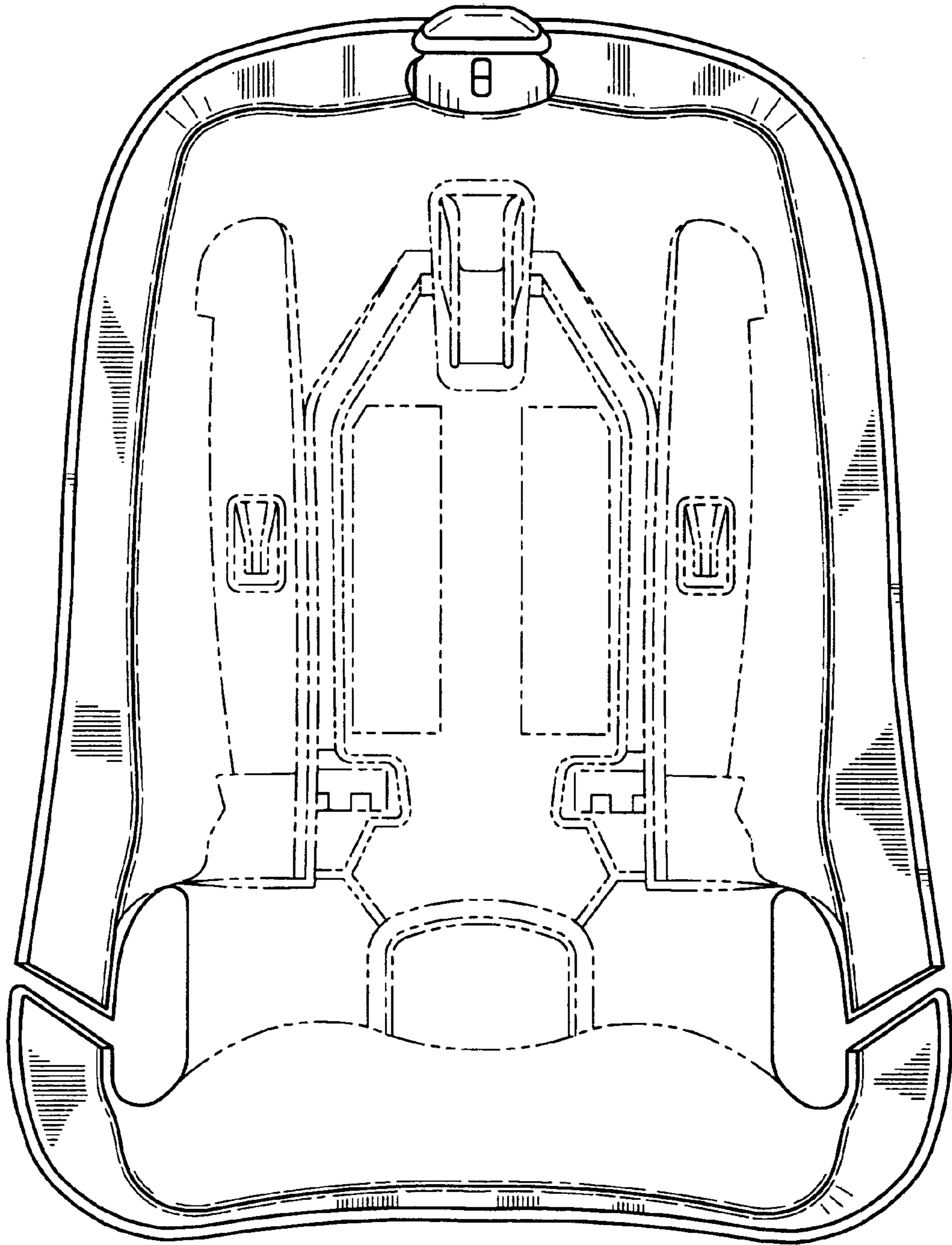


FIG.2

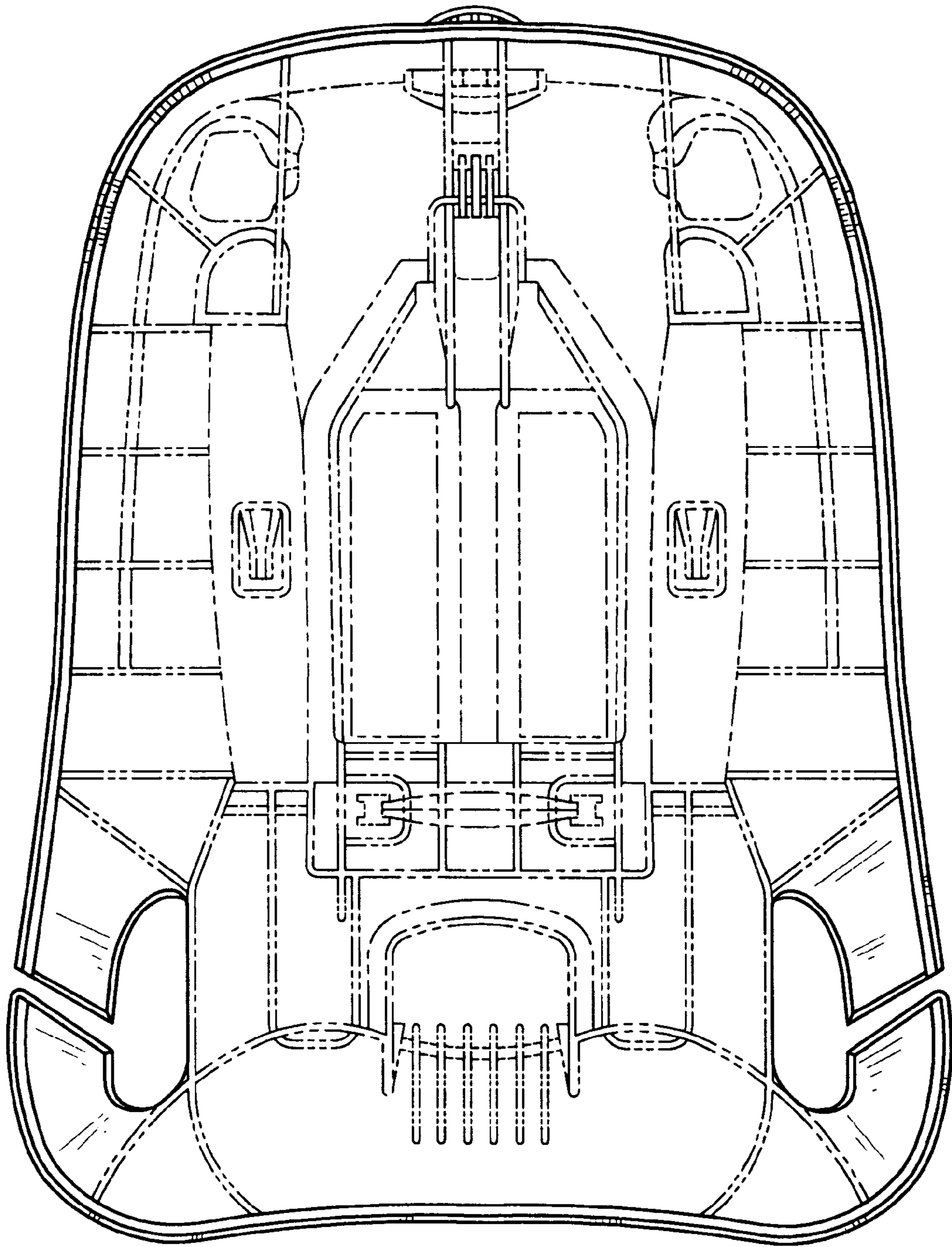


FIG.3

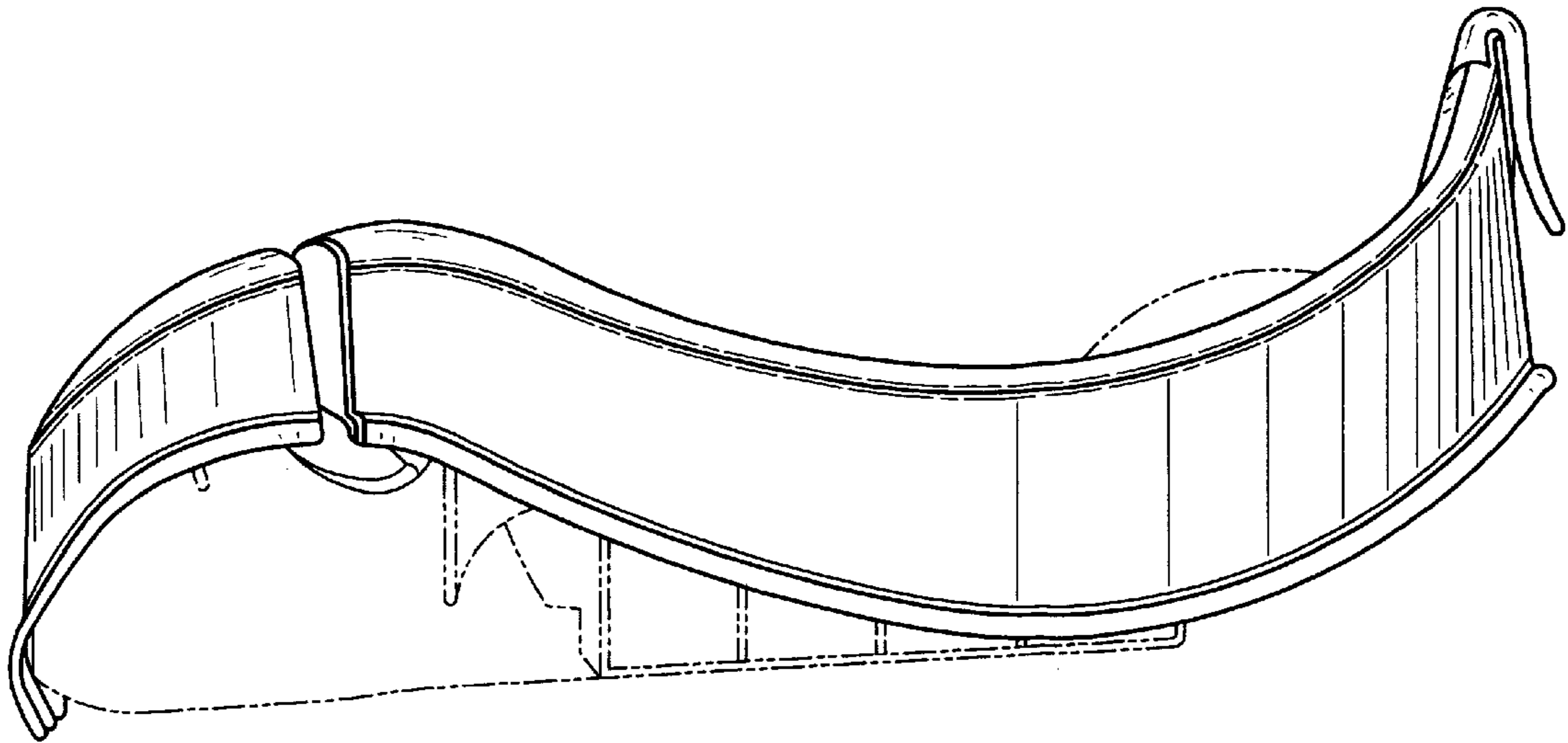


FIG. 4

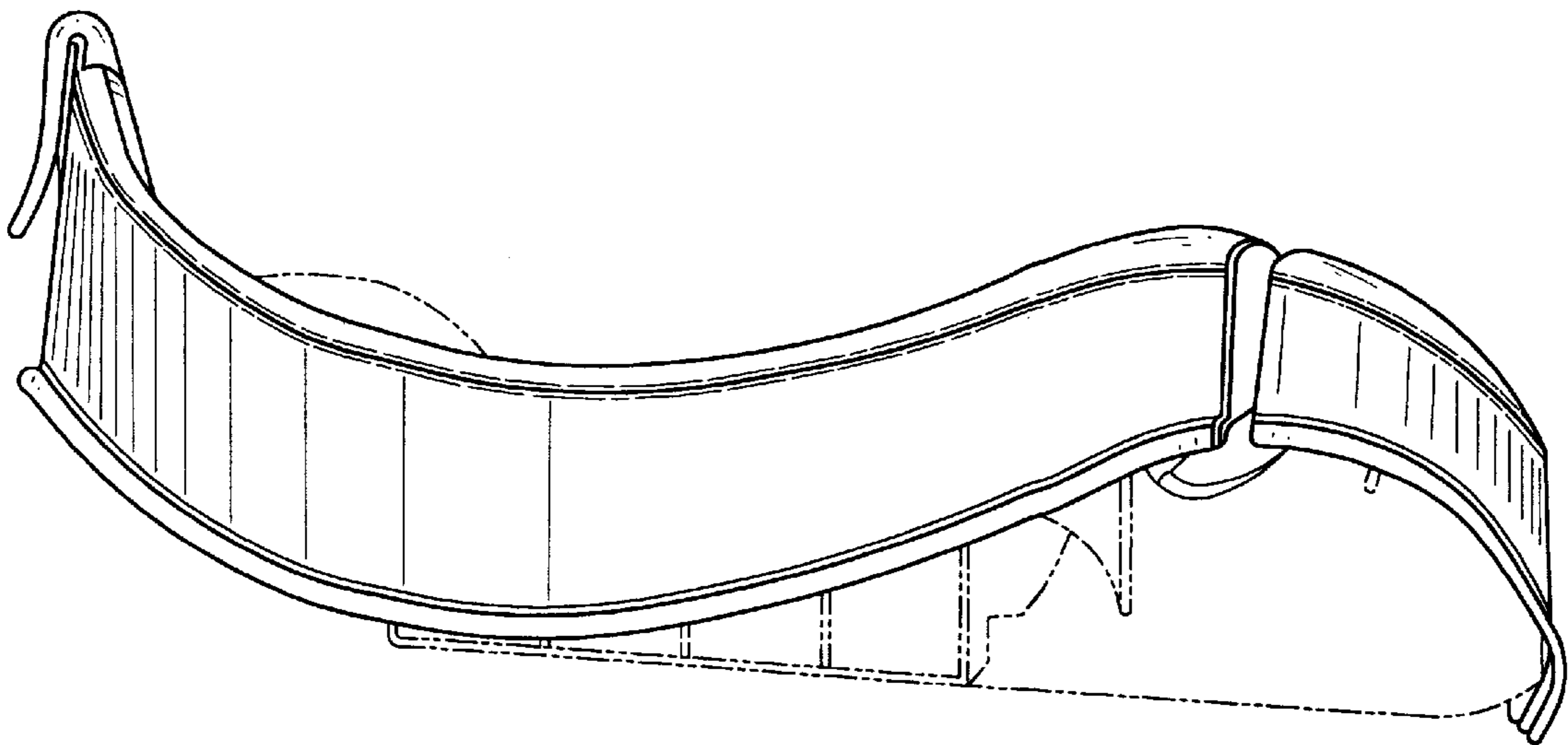


FIG. 5

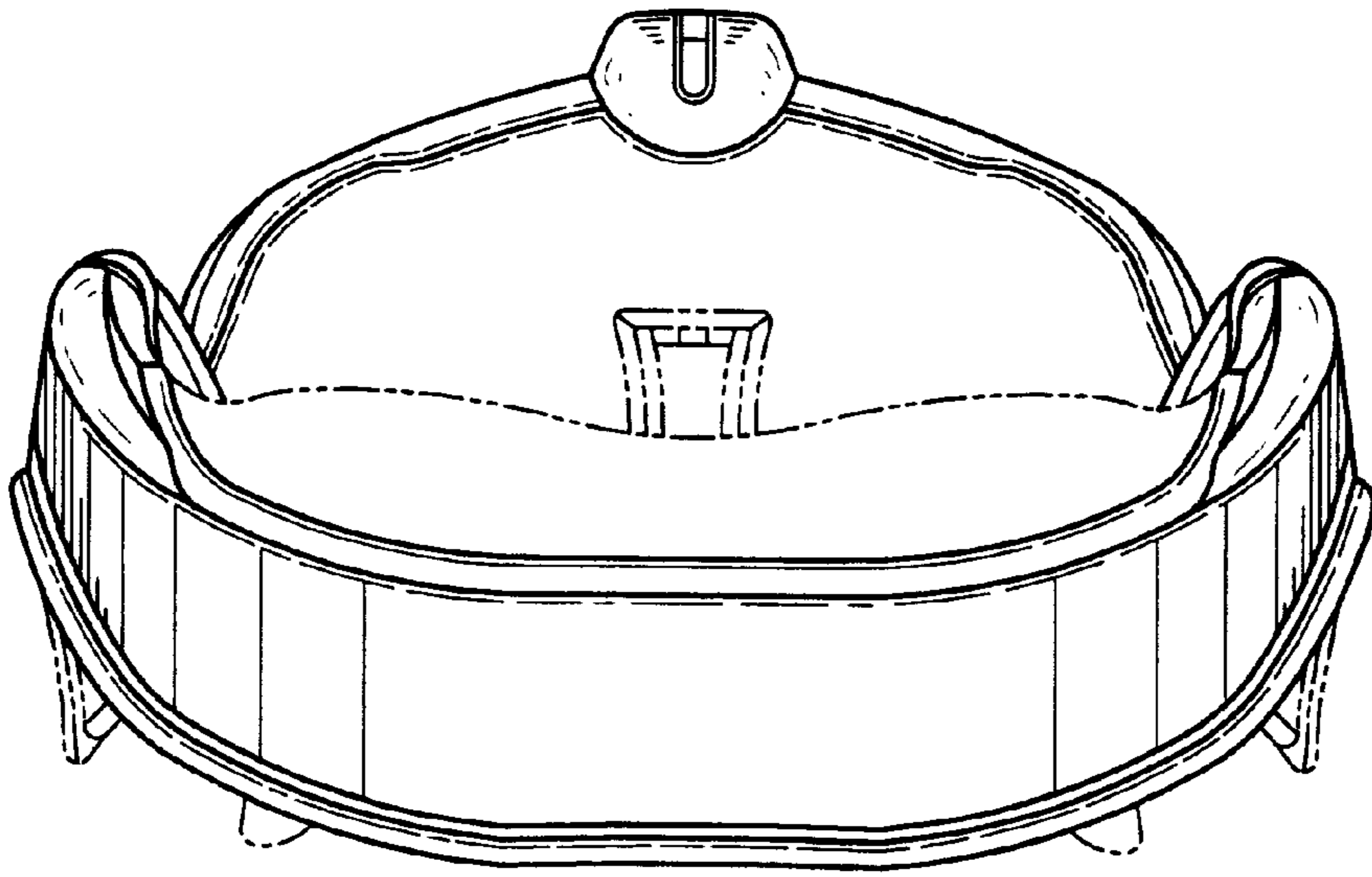


FIG. 6

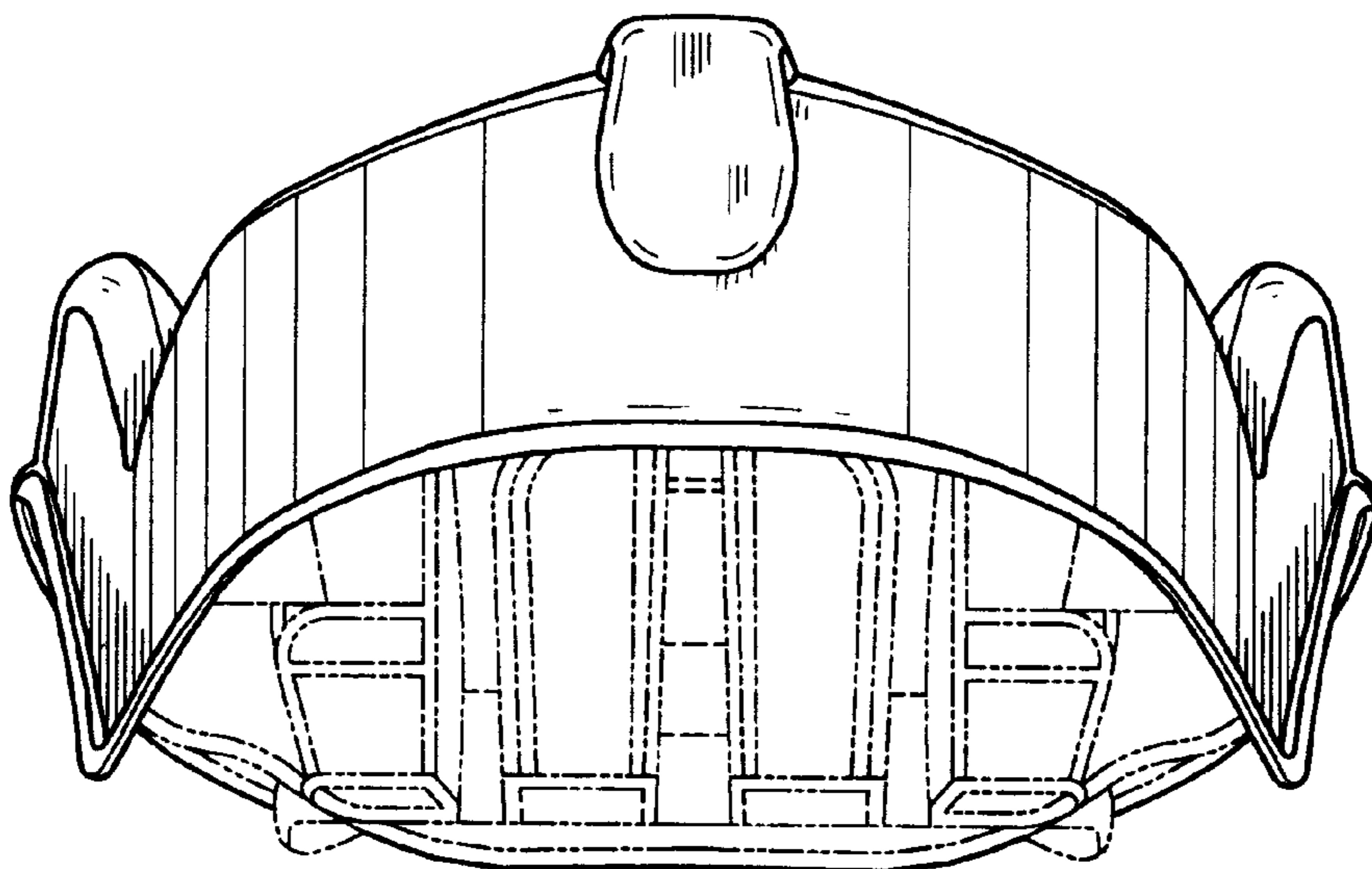


FIG. 7

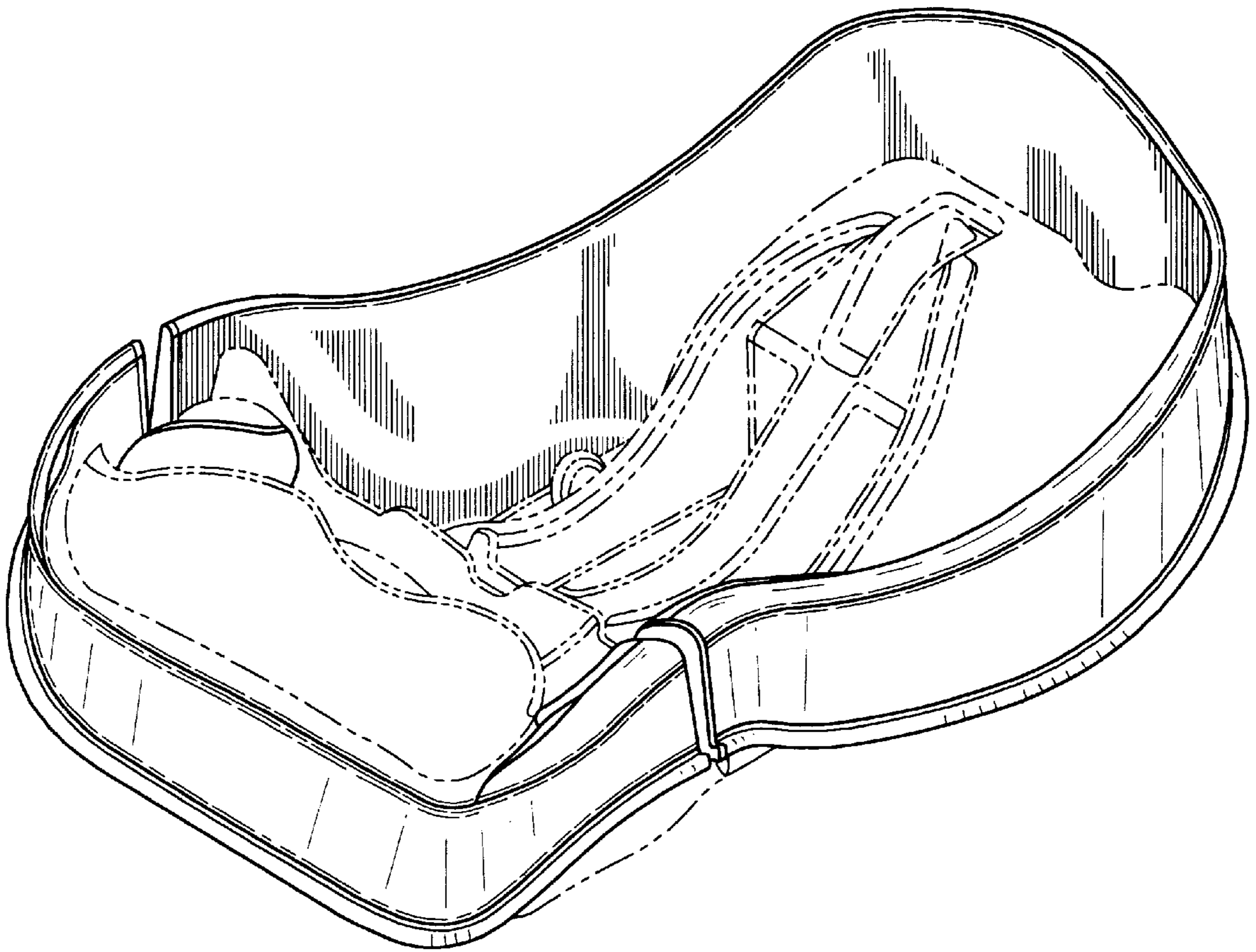


FIG.8

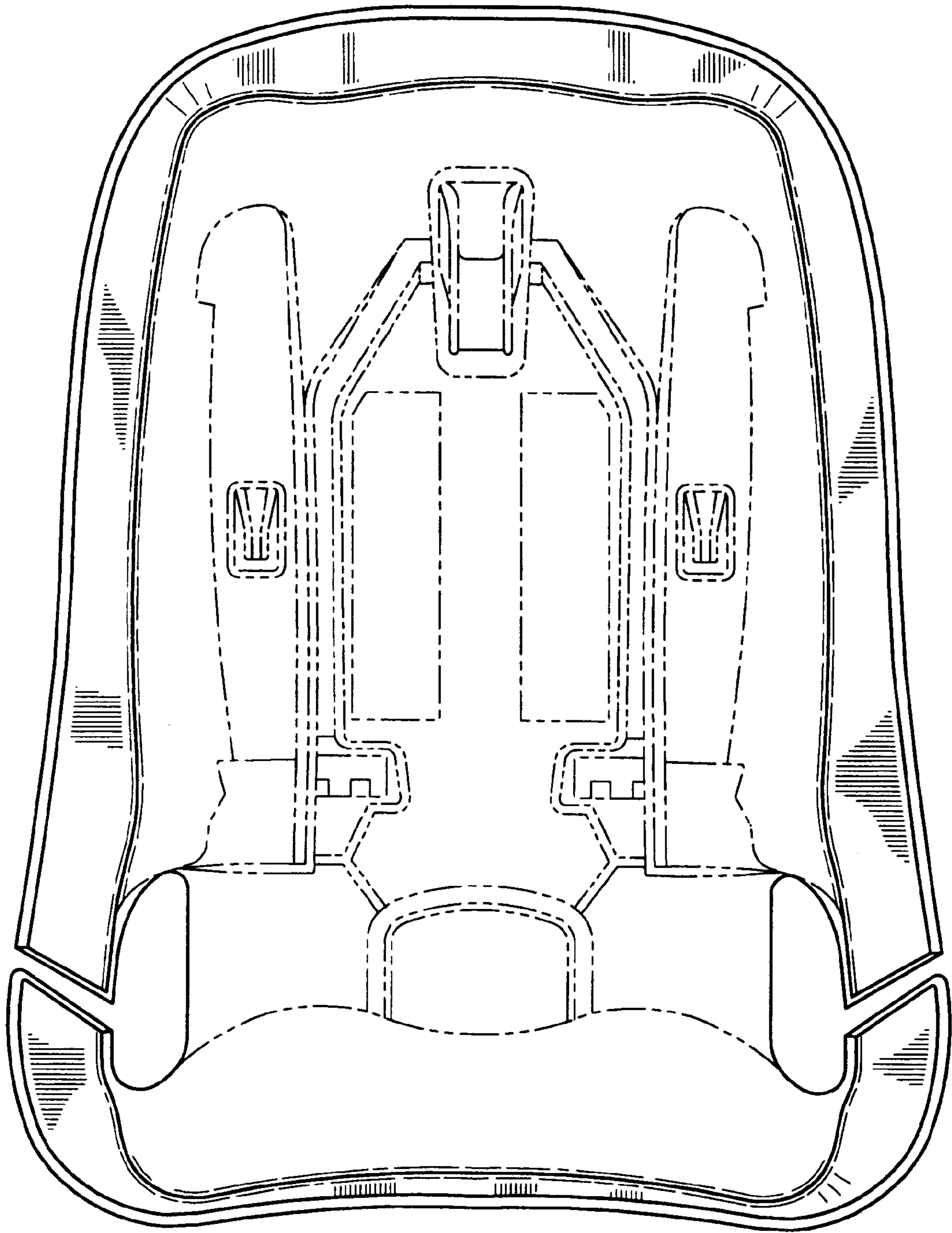


FIG.9

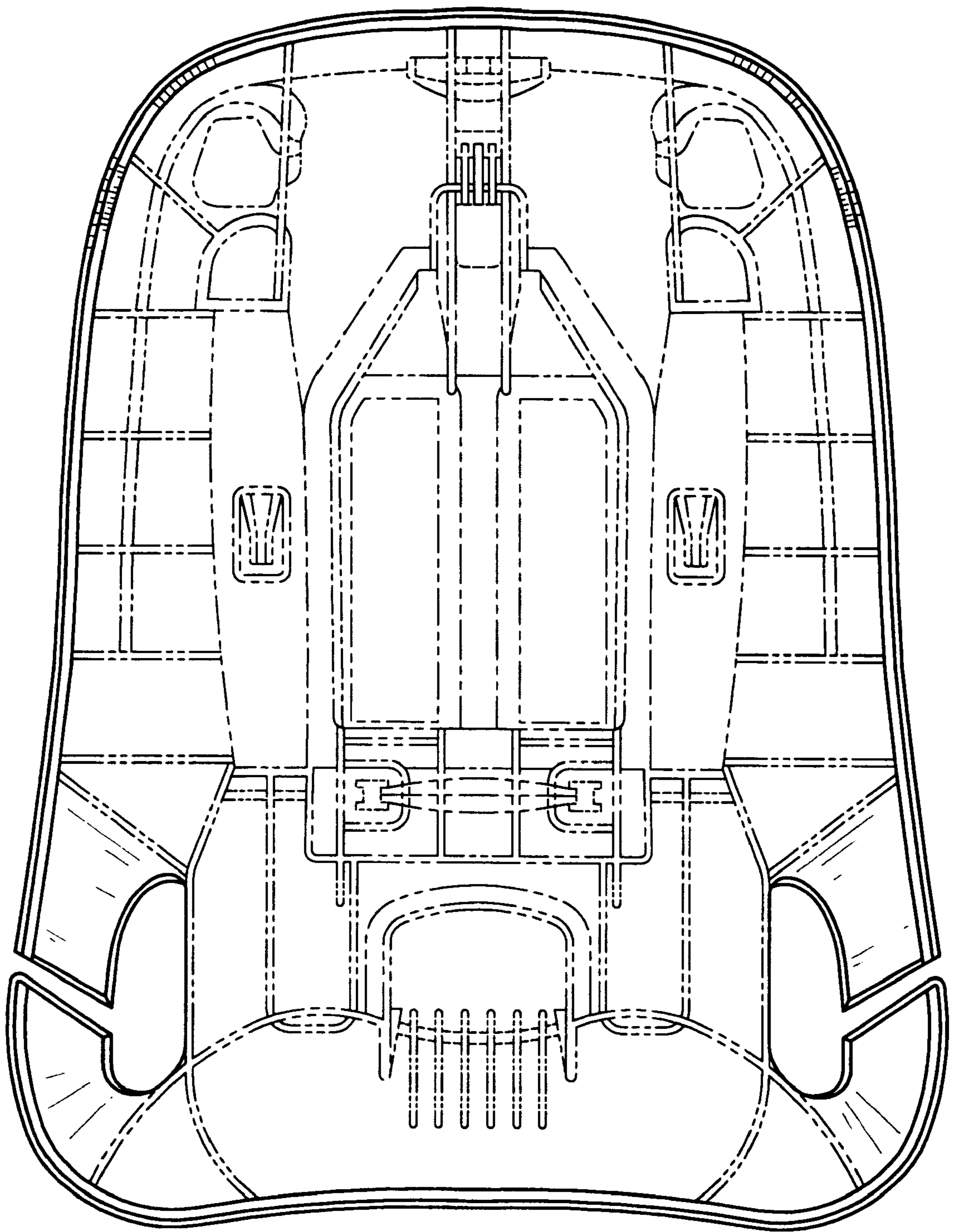


FIG.10

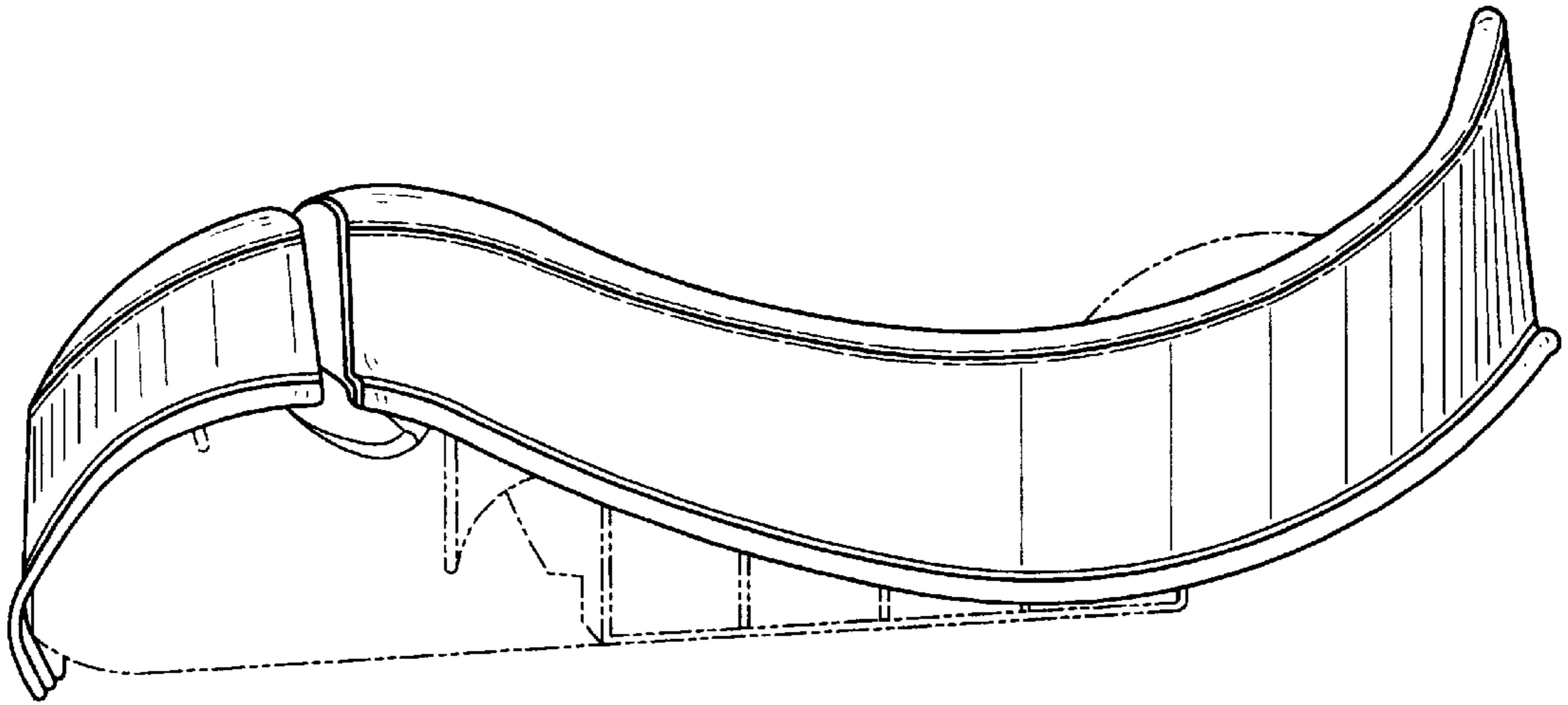


FIG.11

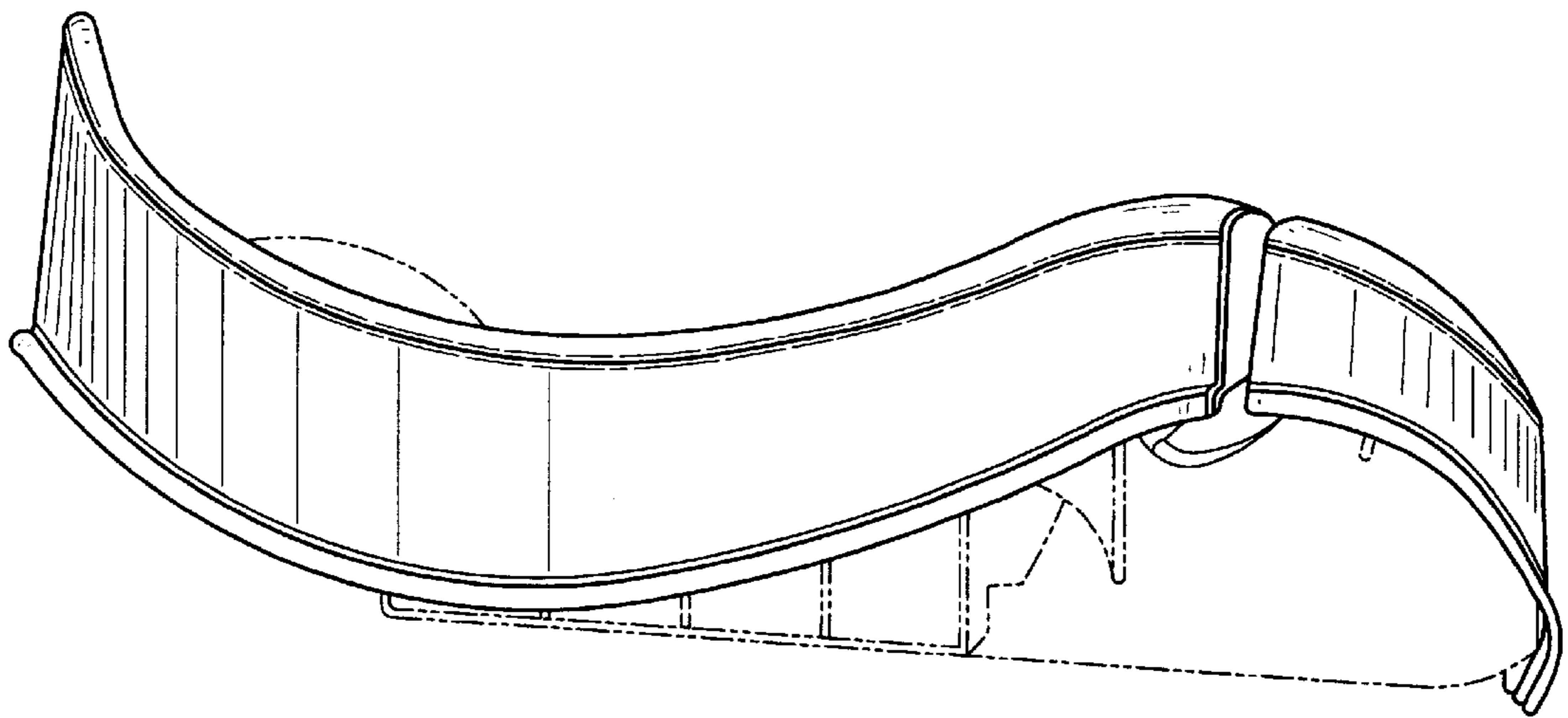


FIG.12

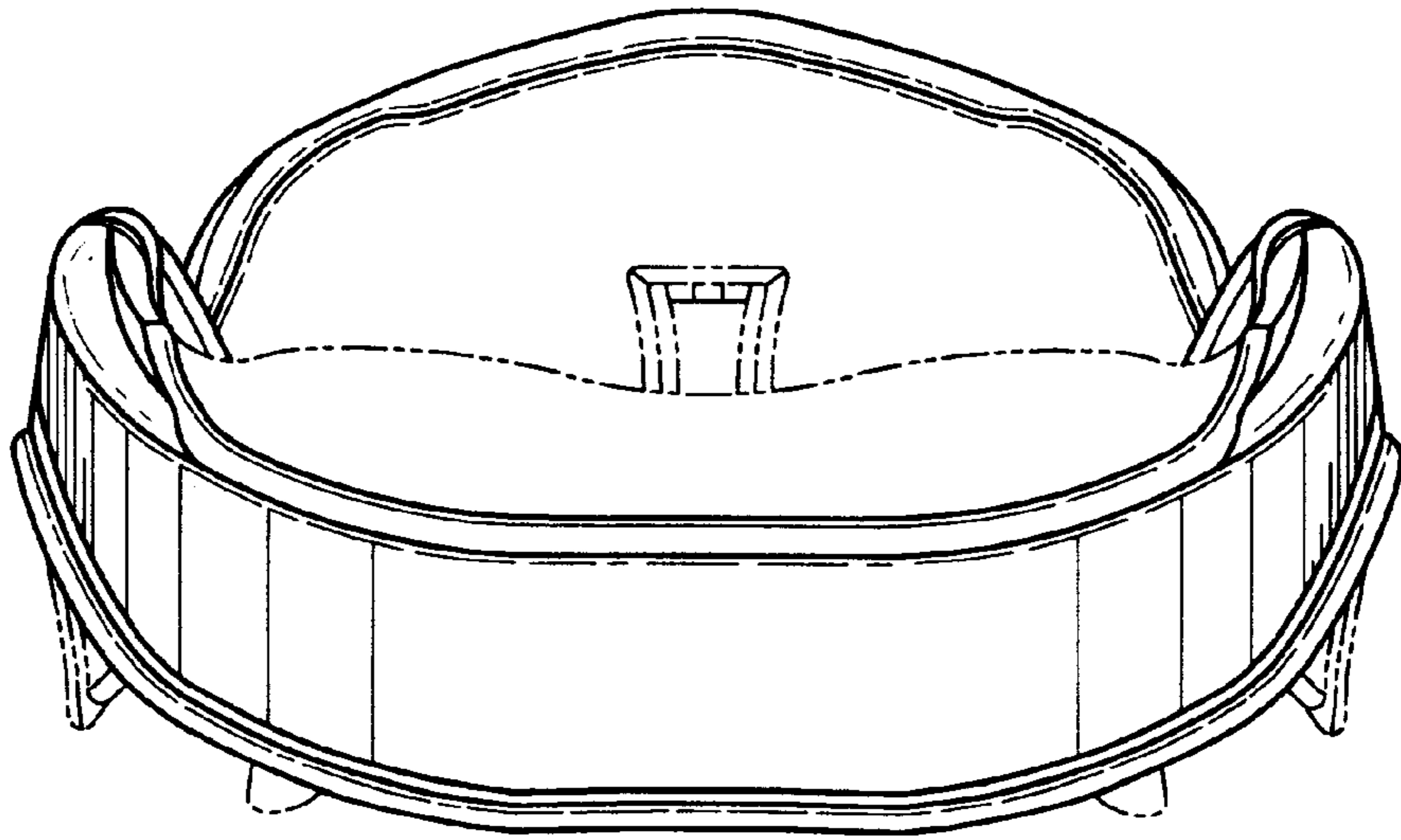


FIG.13

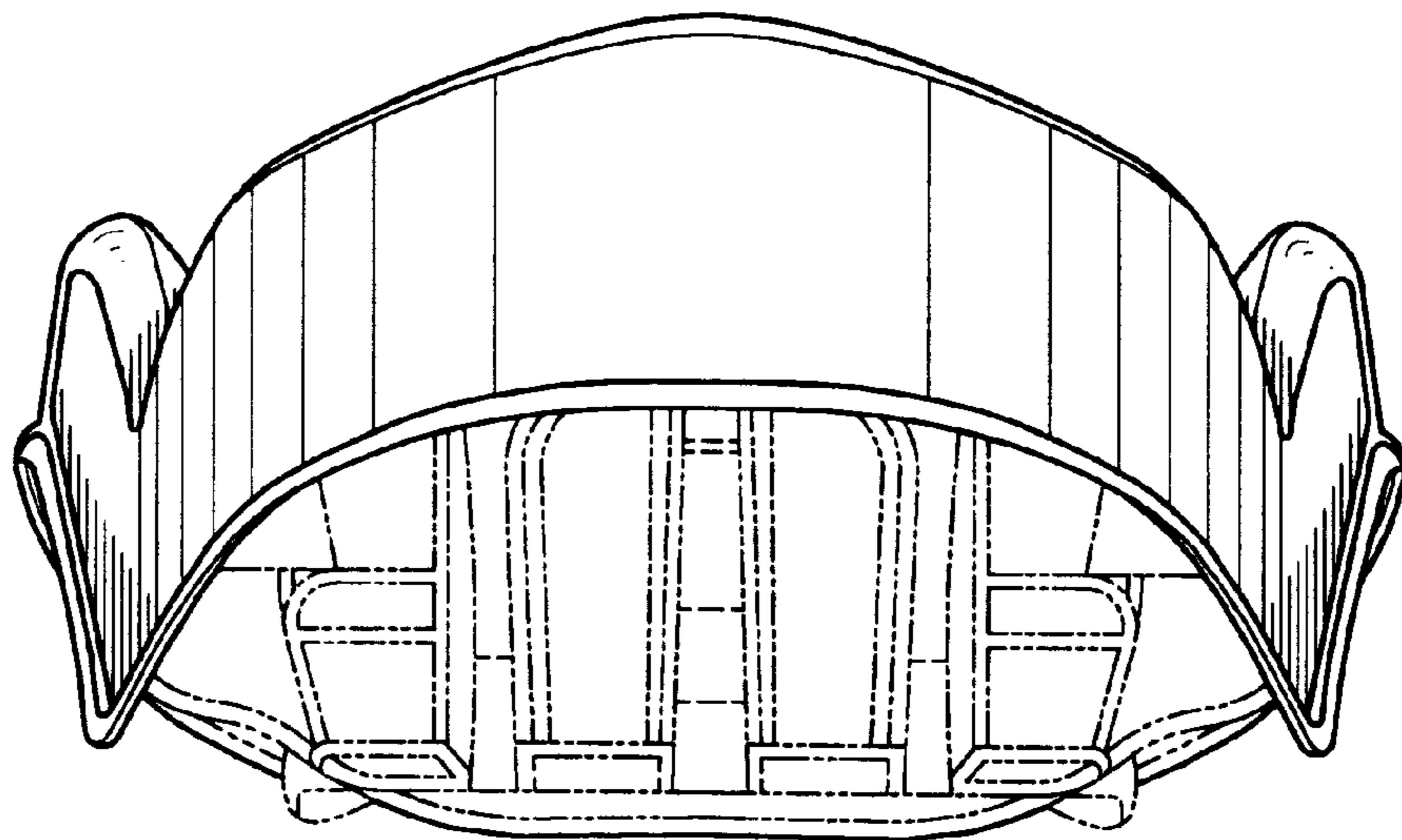


FIG.14