



US00D438713S

(12) **United States Design Patent**
Zaidman

(10) **Patent No.:** **US D438,713 S**

(45) **Date of Patent:** **** Mar. 13, 2001**

(54) **PAIR OF SIDE STRUCTURES FOR FURNITURE**

(75) **Inventor:** **S. Paul Zaidman, Winnipeg (CA)**

(73) **Assignee:** **Palliser Furniture Ltd., Winnipeg (CA)**

(**) **Term:** **14 Years**

(21) **Appl. No.:** **29/099,906**

(22) **Filed:** **Jan. 29, 1999**

(51) **LOC (7) Cl.** **06-06**

(52) **U.S. Cl.** **D6/300; D6/303**

(58) **Field of Search** **D6/300-314, 393, D6/505, 495, 499; D20/10, 40; 40/700, 711, 718, 745, 765, 779, 780, 790, 798; 5/53.1, 907, 279.1, 280, 281**

(56) **References Cited**

U.S. PATENT DOCUMENTS

D. 317,538	*	6/1991	Wilson	D6/495
D. 376,489	*	12/1996	Cain	D6/393
D. 385,422	*	10/1997	Blazy	D6/300
D. 390,364	*	2/1998	Johnsey	D6/303
819,066	*	5/1906	Ives	5/281
4,997,151	*	3/1991	Pai	248/167

OTHER PUBLICATIONS

The Mirror Book, by H. Schiffer, c1983, p. 236, #600 mirror at top right.*

* cited by examiner

Primary Examiner—Janice E. Seeger

(74) *Attorney, Agent, or Firm*—Barnes & Thornburg

(57) **CLAIM**

The ornamental design for pair of side structures for furniture, as shown and described.

DESCRIPTION

FIG. 1 is a right hand perspective view of a first embodiment of a pair of side structures for furniture embodying the design,

FIG. 2 is an enlarged view of the upper right-hand corner of FIG. 1,

FIG. 3 is a front view of the first embodiment,

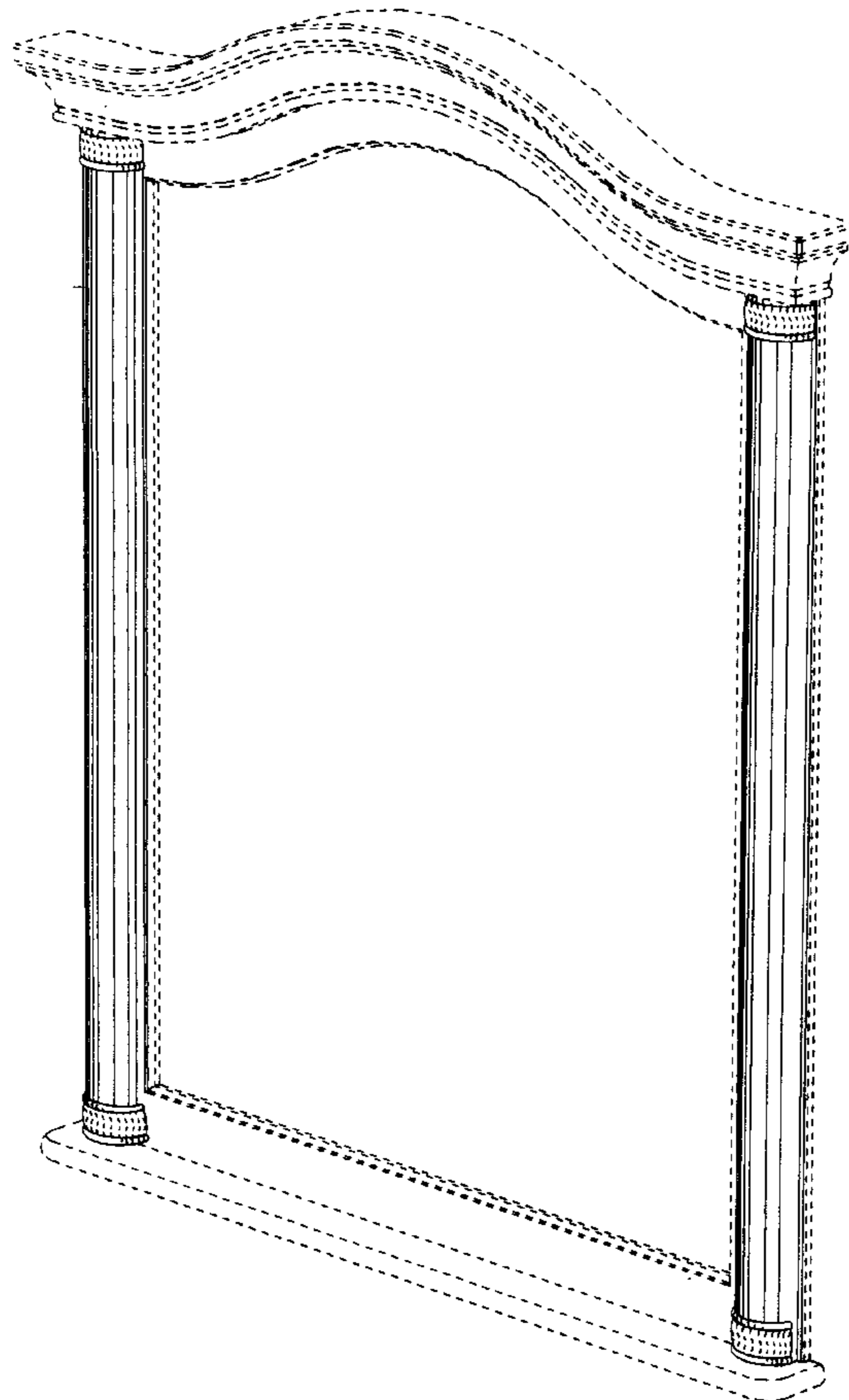
FIG. 4 is a right side view of the first embodiment,

FIG. 5 is a front view of a second embodiment of a pair of side structures for furniture embodying the design; and,

FIG. 6 is a front view of a third embodiment of a pair of side structures for furniture embodying the design.

The broken lines are for environmental purposes only and form no part of the claimed design.

1 Claim, 6 Drawing Sheets



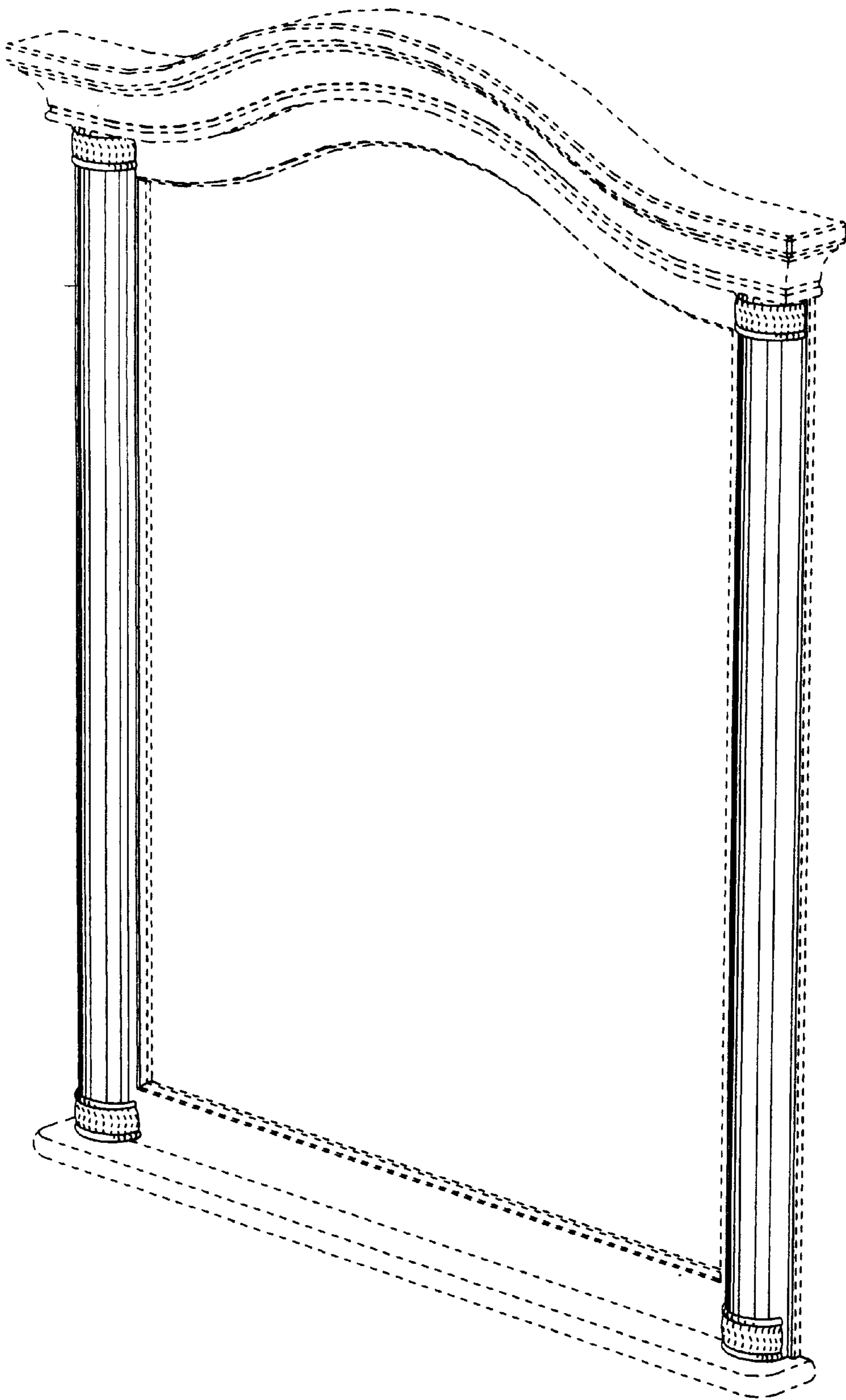


FIG. 1

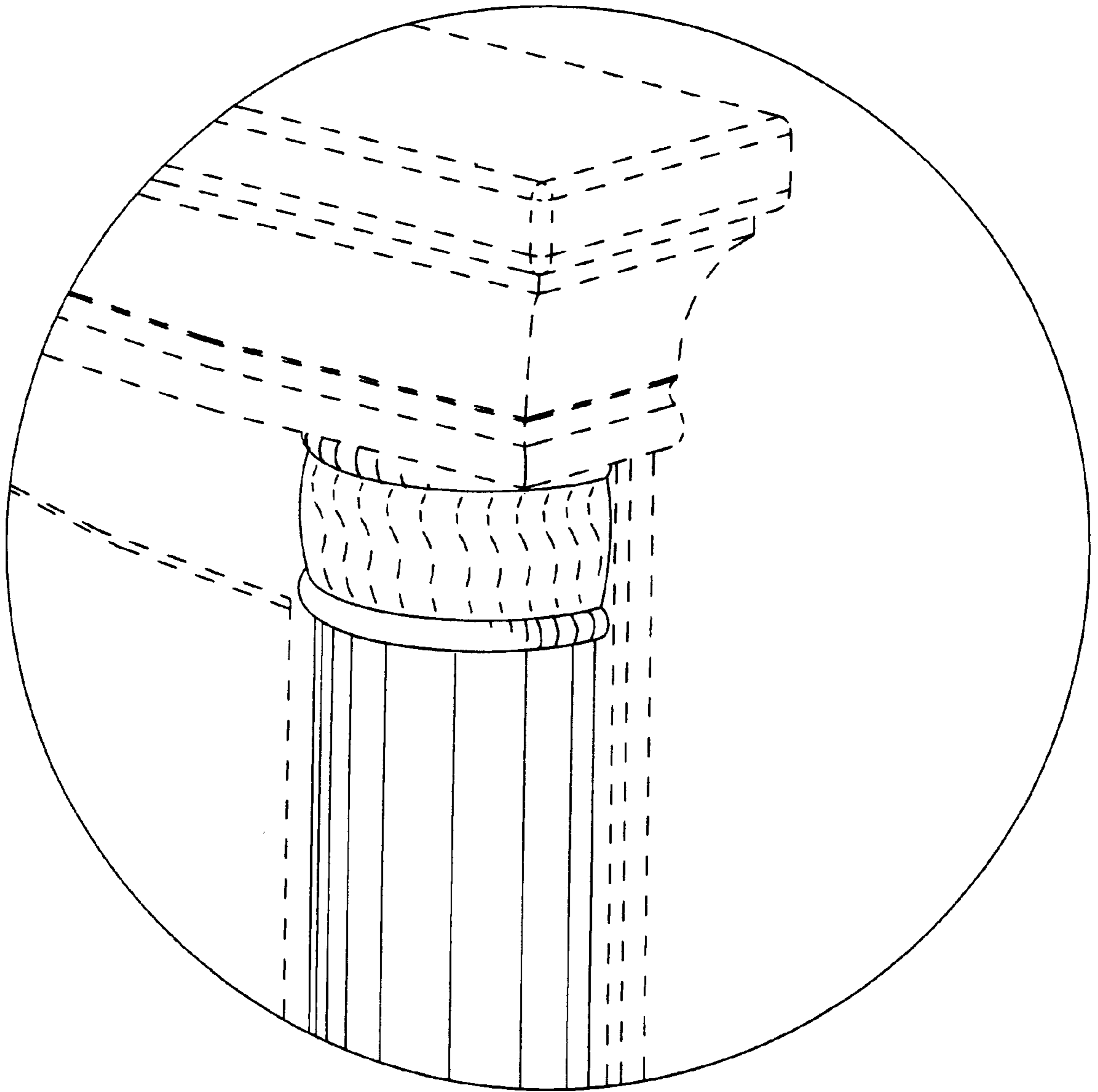


FIG. 2

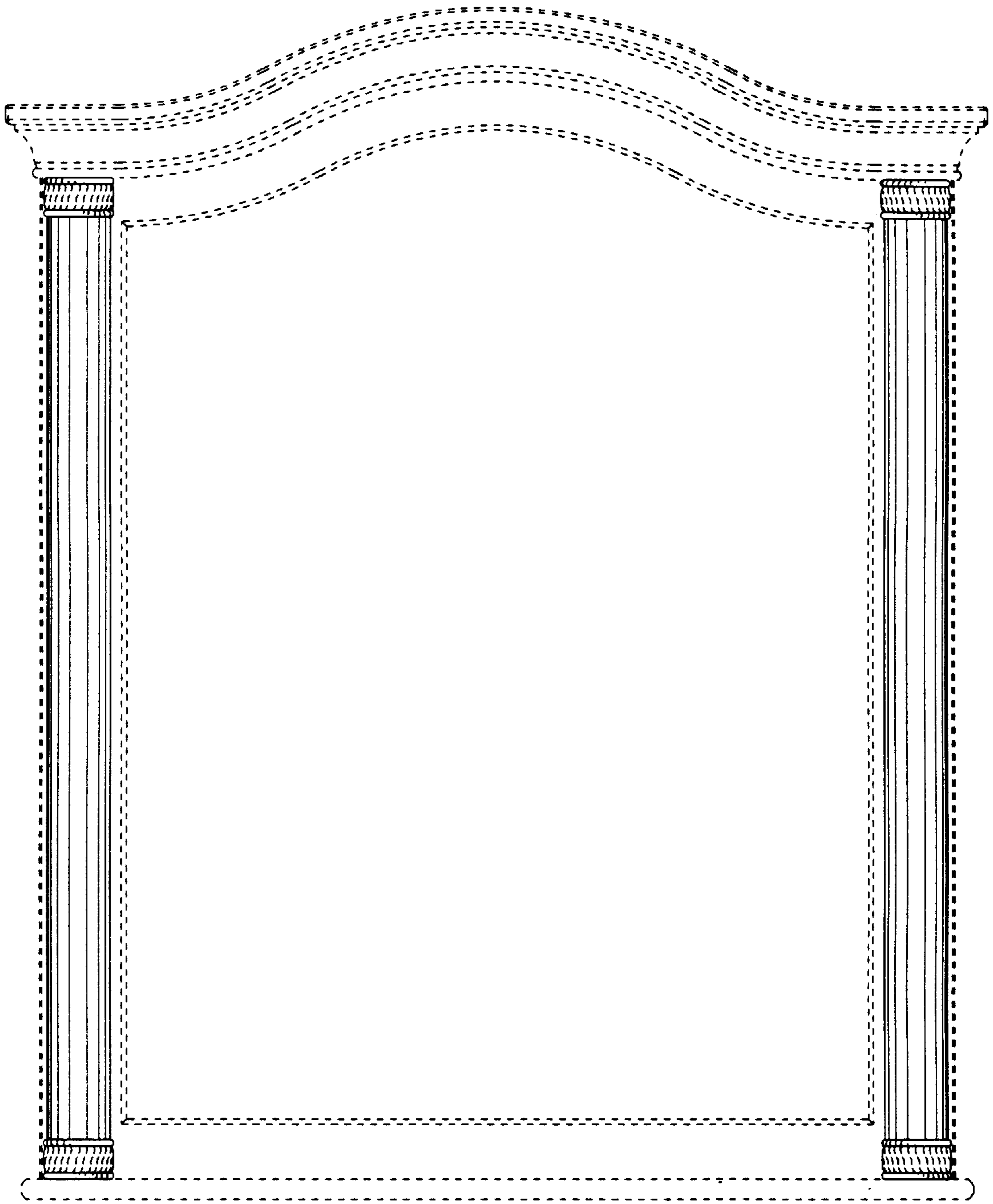


FIG. 3



FIG. 4

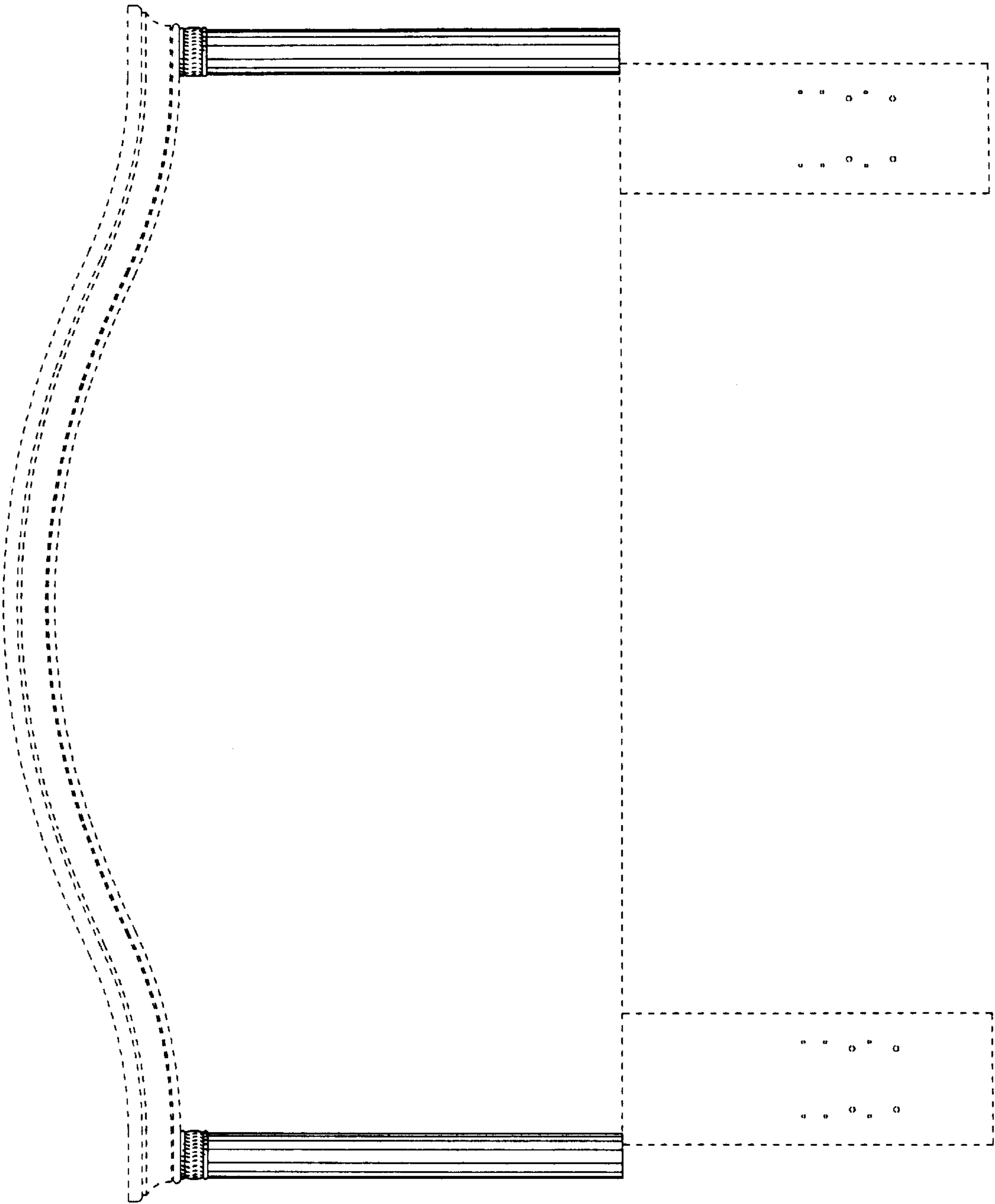


FIG. 5

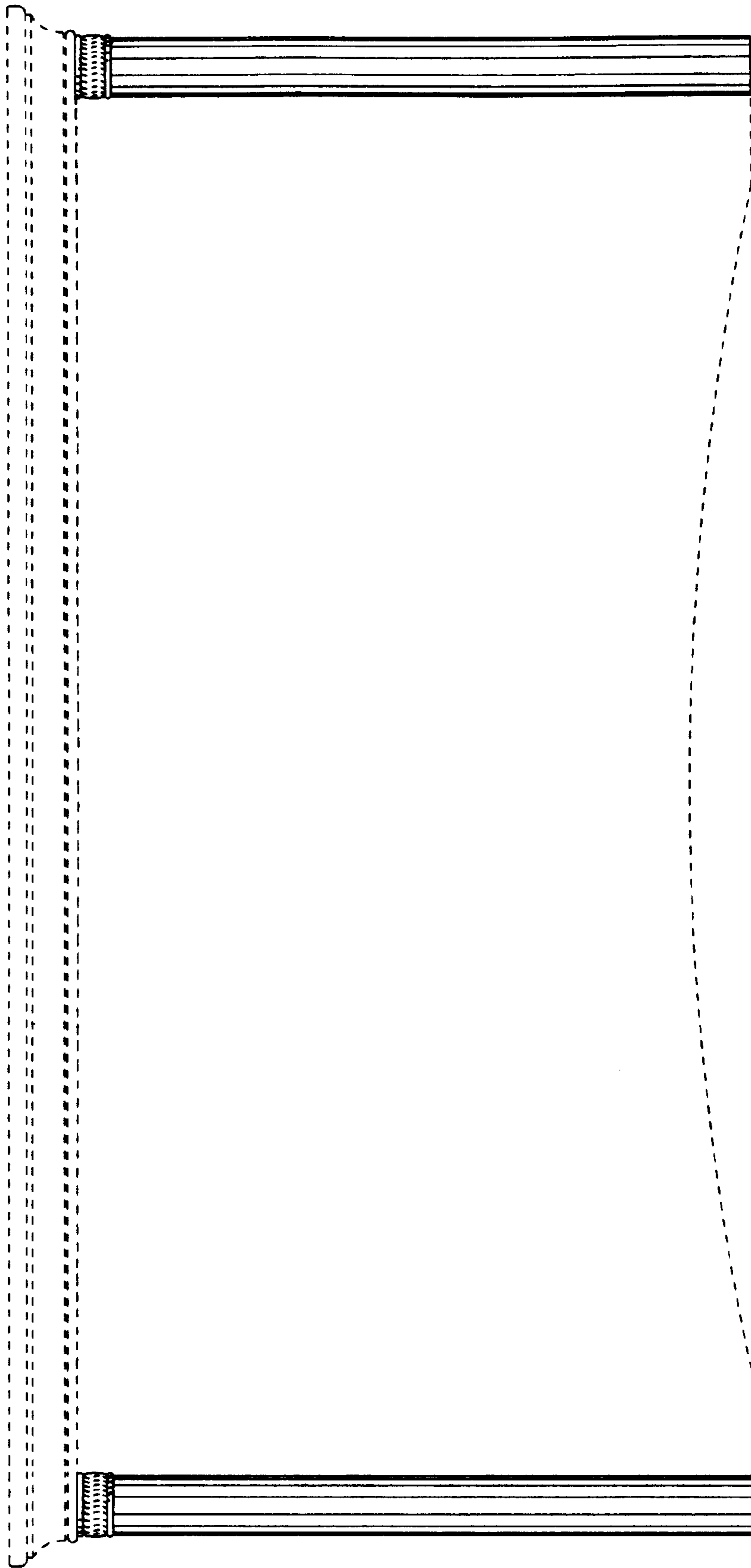


FIG. 6