



US00D438708S

(12) **United States Design Patent**
Weiner

(10) **Patent No.:** **US D438,708 S**

(45) **Date of Patent:** **** Mar. 13, 2001**

(54) **WATER SOURCE ATTACHABLE ANIMAL CLEANING BRUSH**

(76) **Inventor:** **Lainee Weiner**, 11837 Cardeene Rd.,
Aqua Dulce, CA (US) 91350-2804

(**) **Term:** **14 Years**

(21) **Appl. No.:** **29/106,145**

(22) **Filed:** **Jun. 11, 1999**

(51) **LOC (7) Cl.** **04-01**

(52) **U.S. Cl.** **D4/115**

(58) **Field of Search** D4/114, 115, 127,
D4/132, 135; 4/518, 606; 15/28-29, 179,
180; 119/600, 603, 604, 612, 615; 401/268,
270, 279, 287-291

(56) **References Cited**

U.S. PATENT DOCUMENTS

D. 295,696	5/1988	Larsen	D4/115
D. 318,179	7/1991	Akins	D4/115
D. 369,026	4/1996	Furbert et al.	D4/115
D. 370,124	5/1996	Chamieh	D4/115
D. 401,071	11/1998	Laster	D4/115
994,204	* 6/1911	Schoenlau	15/29
1,048,233	* 12/1912	Tideman	119/600 X
1,149,481	* 8/1915	Vandergon	15/28 X
1,592,023	* 7/1926	Jenkins	401/290
2,736,049	2/1956	Cohen	15/129
2,918,686	12/1959	Sweargin	15/29
3,267,903	8/1966	Valentine	119/664

4,513,466	4/1985	Keddie et al.	15/29
4,841,590	6/1989	Terry et al.	15/28
4,858,257	8/1989	Bivens	4/606
5,109,553	5/1992	Kishimoto	4/518
5,588,160	12/1996	Nichols	4/606
5,649,502	7/1997	Frank	119/665
5,702,195	12/1997	Rittenbaum	401/289

* cited by examiner

Primary Examiner—Alan P. Douglas

Assistant Examiner—Lavone Tabor

(74) *Attorney, Agent, or Firm*—Dennis W. Beech

(57) **CLAIM**

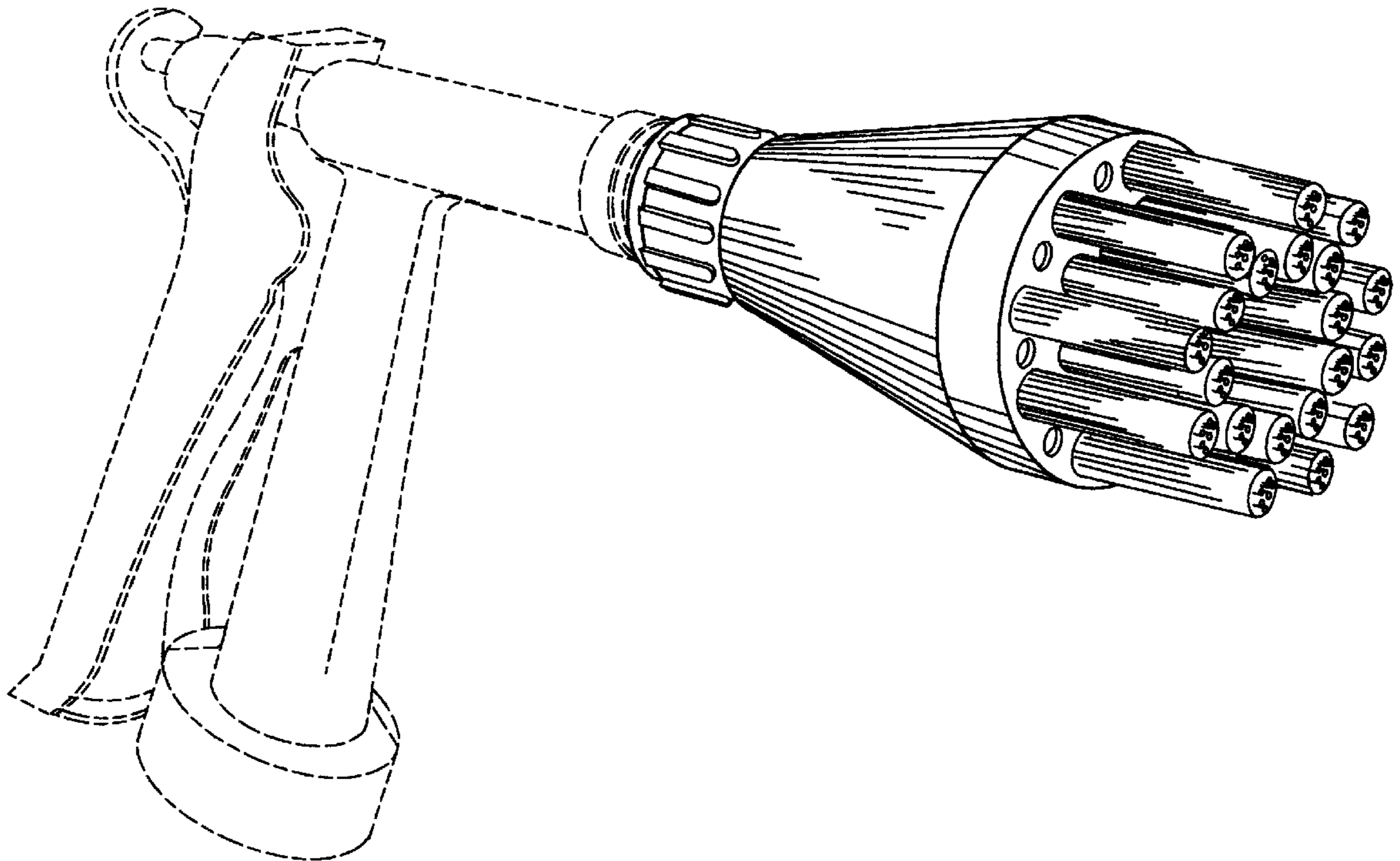
The ornamental design for a water source attachable animal cleaning brush, as shown and described.

DESCRIPTION

FIG. 1 is a perspective view of a water source attachable animal cleaning brush showing my new design; FIG. 2 is a front view of the invention thereof; FIG. 3 is a side view thereof; FIG. 4 is a back view thereof; and, FIG. 5 is an opposite side view thereof.

The broken line showing of the water hose nozzle in FIG. 1 is for illustrative purposes only and forms no part of the claimed design. The portions of the top and bottom of the brush neither shown in the drawing nor described in the specification from no part of the claimed design.

1 Claim, 2 Drawing Sheets



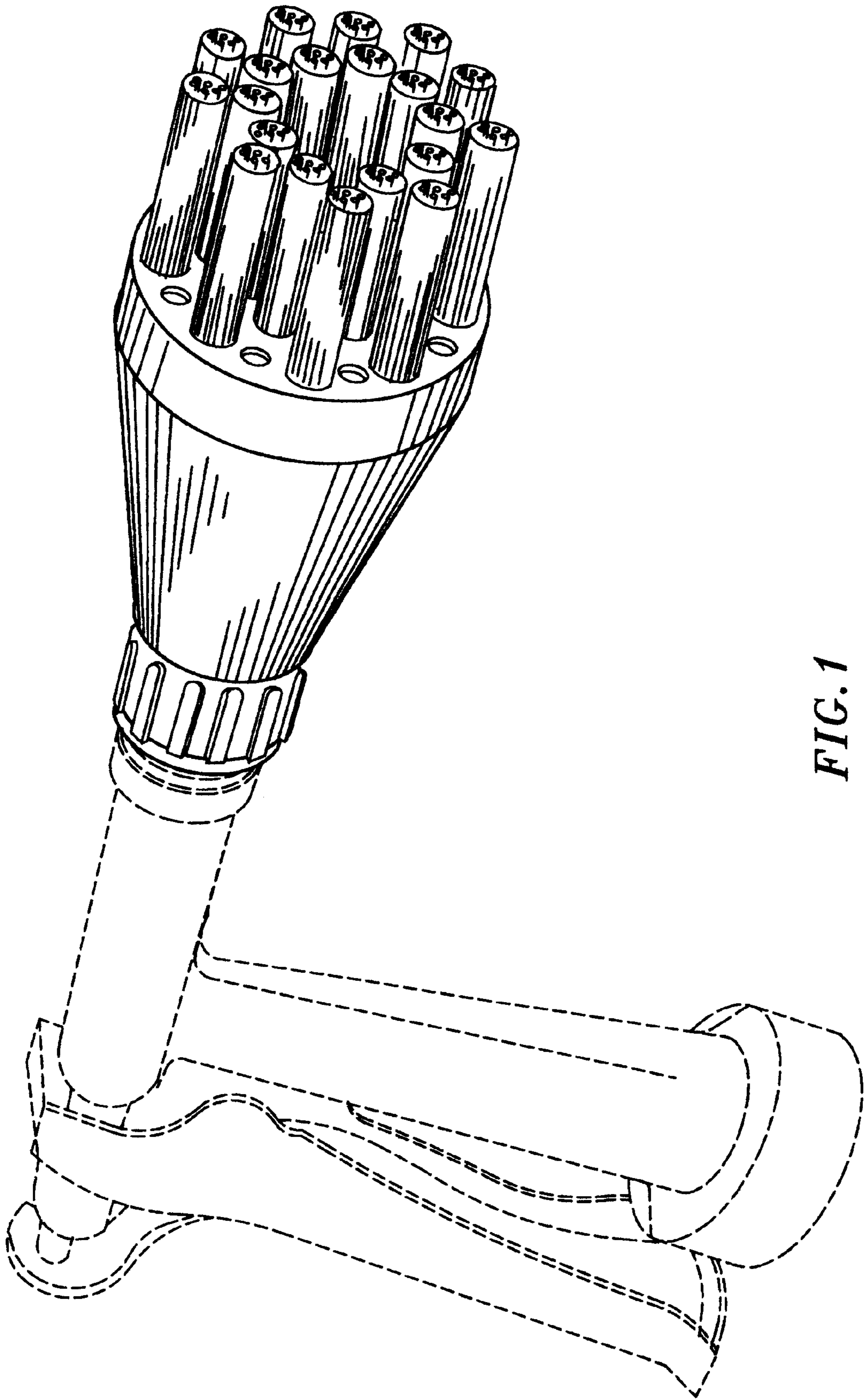


FIG. 1

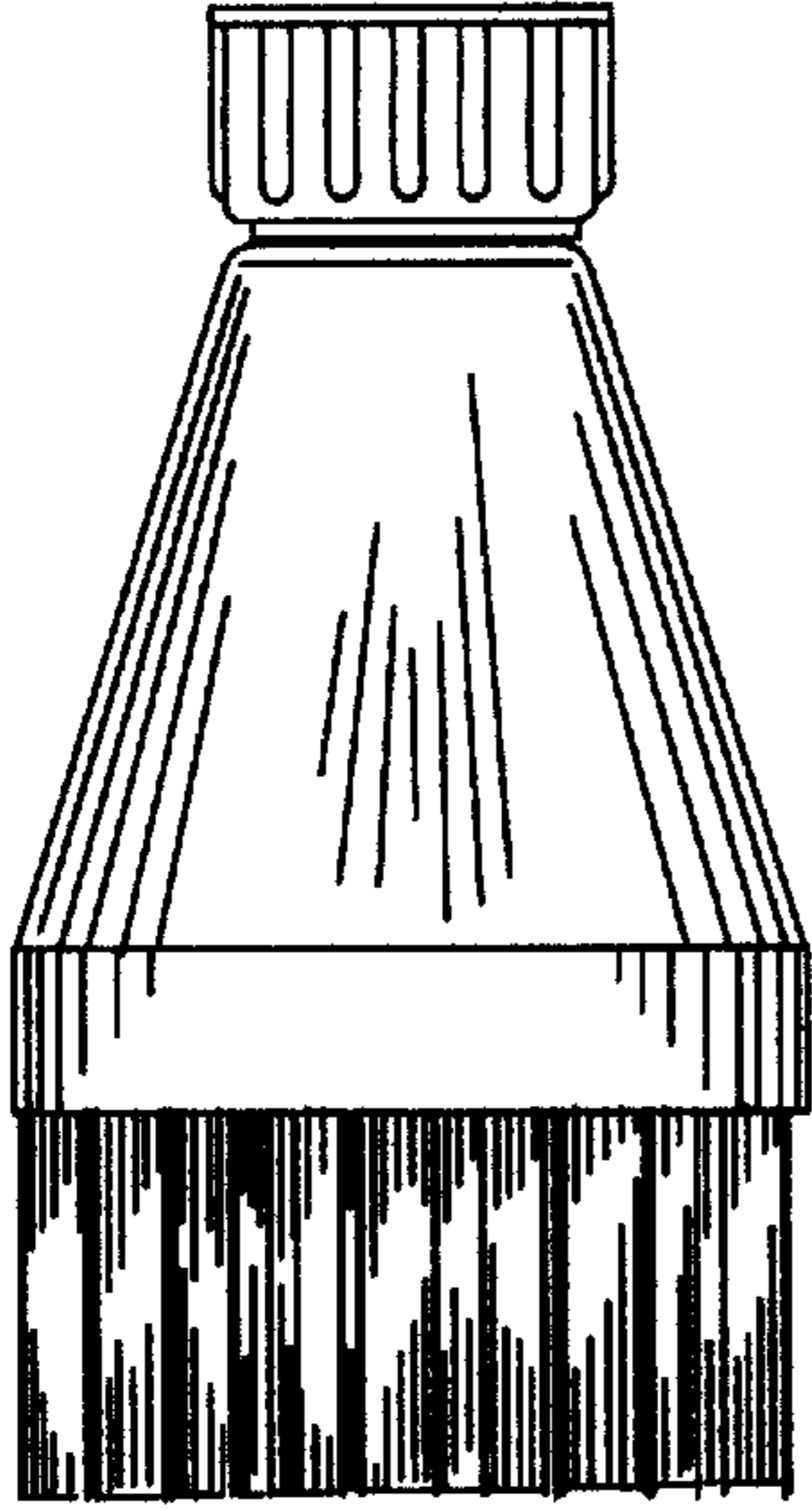


FIG. 3

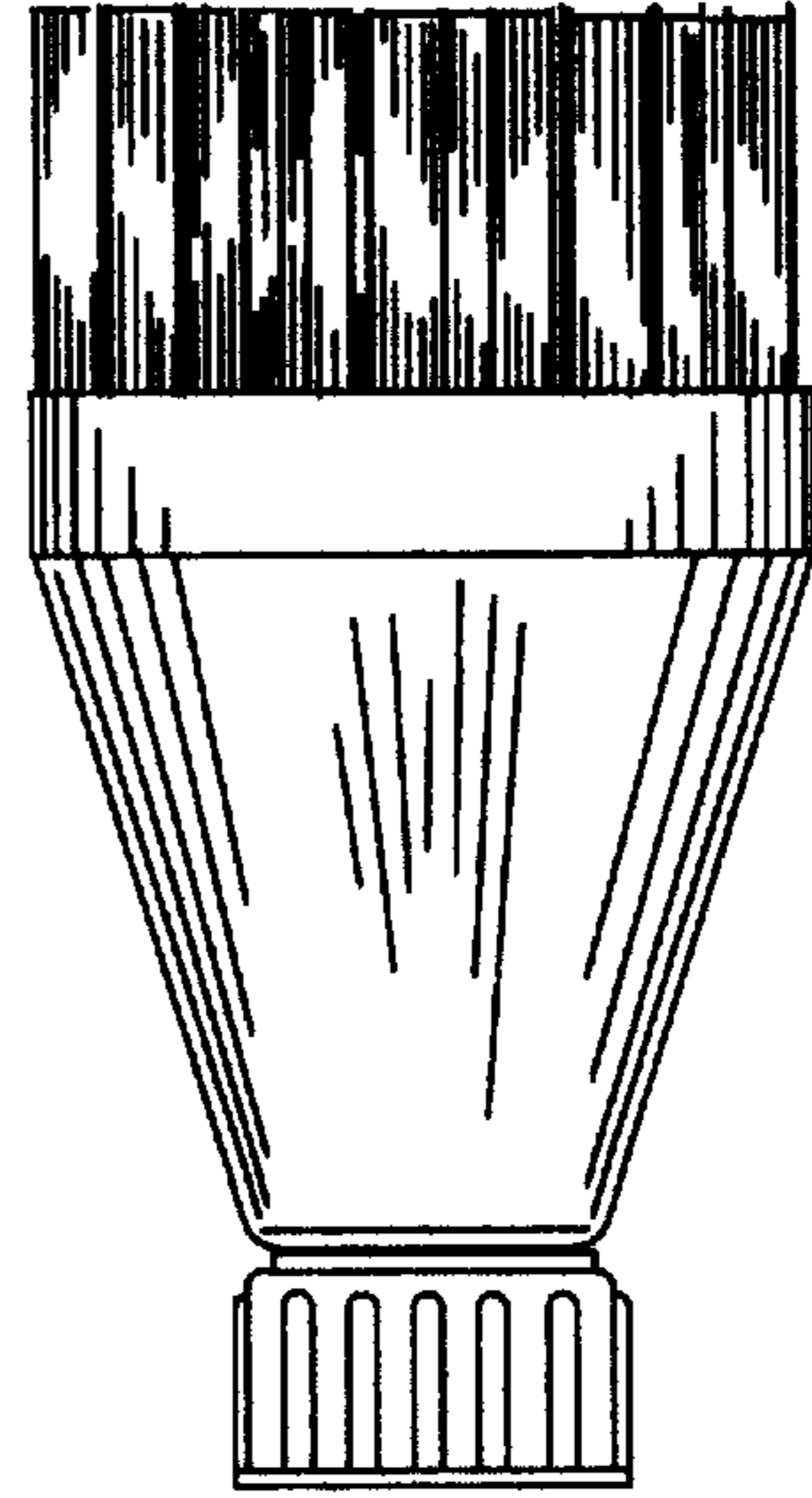


FIG. 5

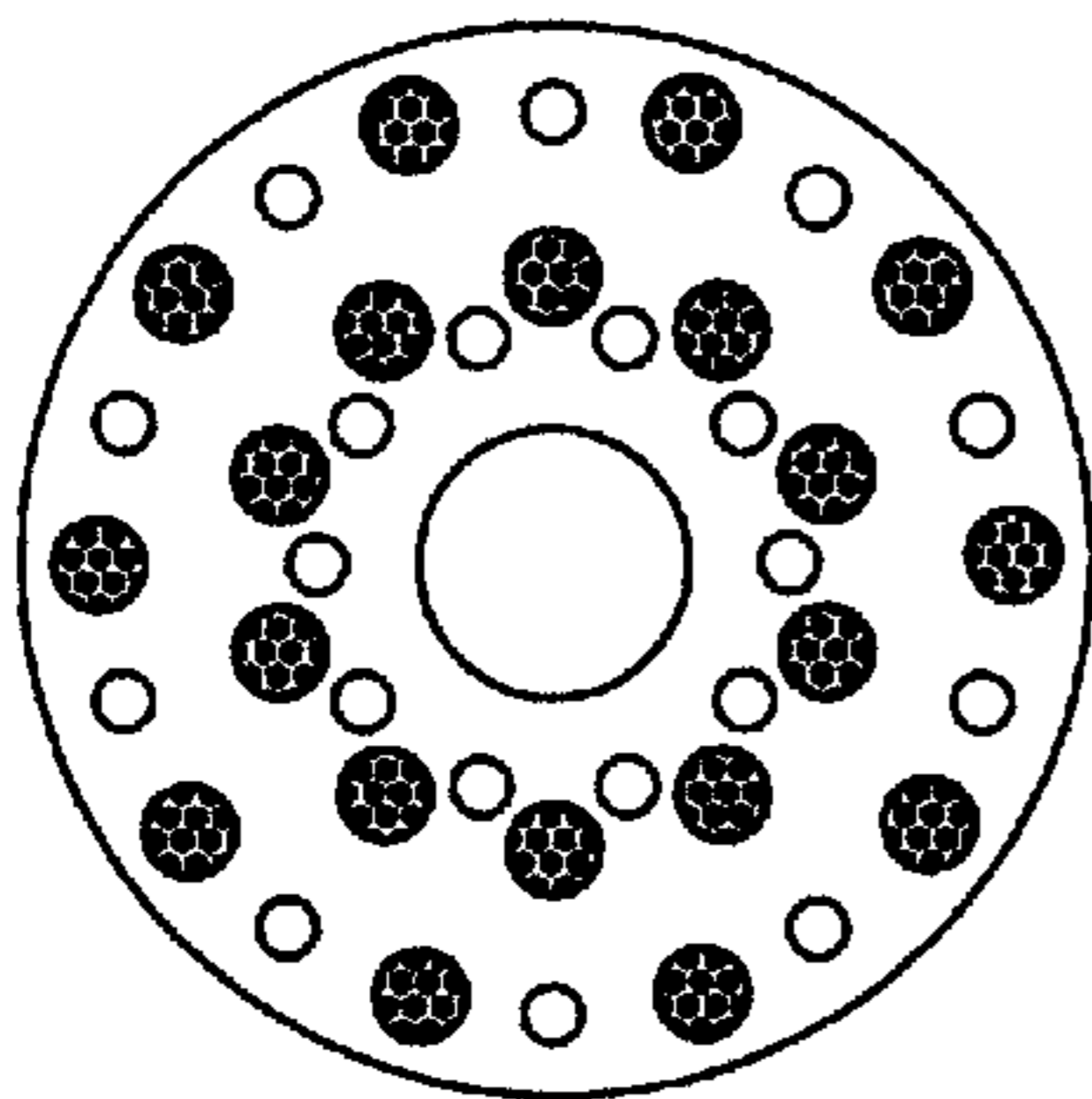


FIG. 2

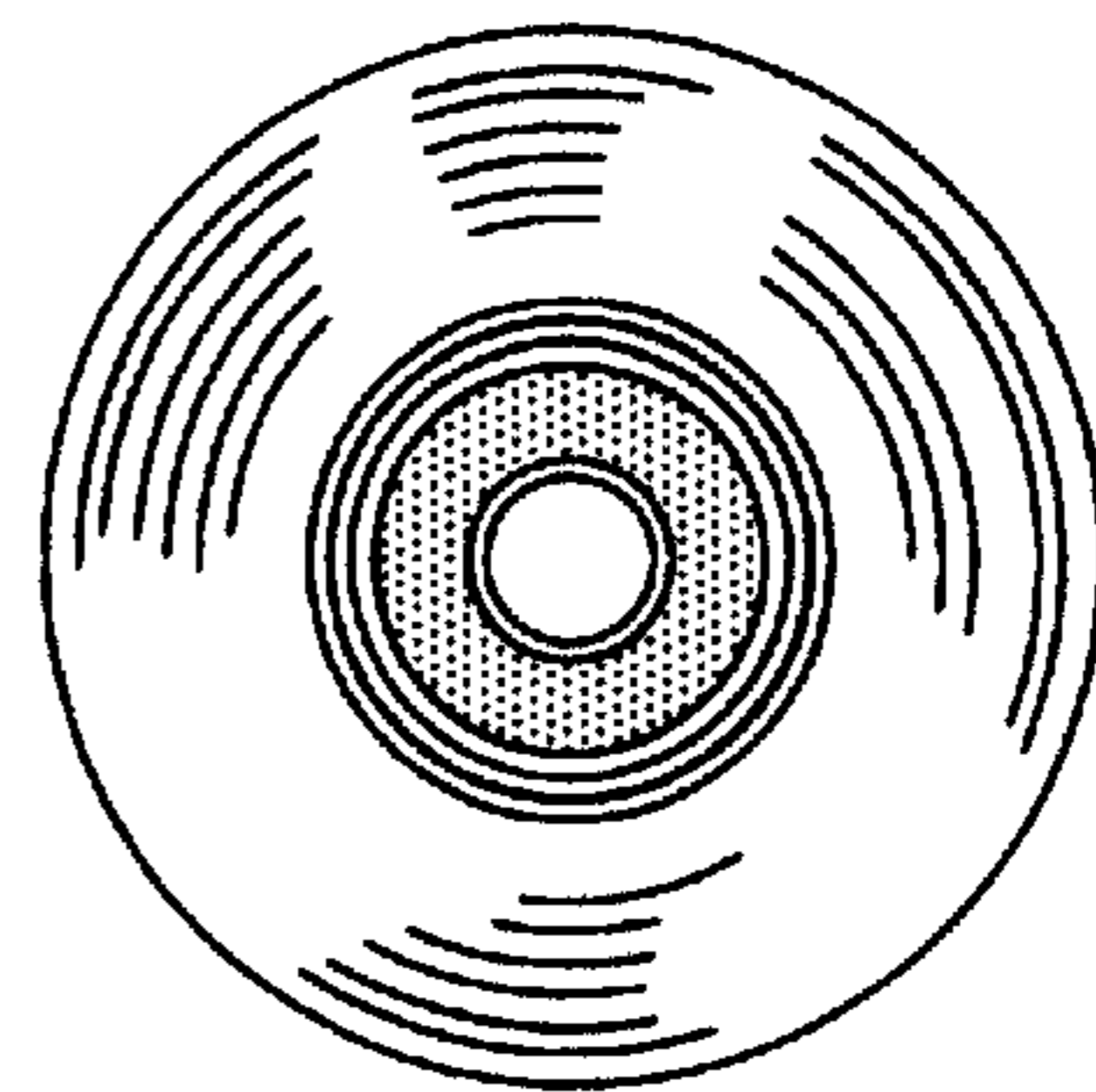


FIG. 4