



US00D438704S

(12) **United States Design Patent**
Longaberger et al.

(10) **Patent No.:** **US D438,704 S**
(45) **Date of Patent:** **** Mar. 13, 2001**

(54) **HEXAGONAL BASKET BOTTOM**

(75) Inventors: **David W. Longaberger; Sun Lacy,**
both of Newark; **Leane M. Lefever,**
Frazeysburg, all of OH (US)

(73) Assignee: **The Longaberger Company,** Newark,
OH (US)

(**) Term: **14 Years**

(21) Appl. No.: **29/126,810**

(22) Filed: **Jul. 25, 2000**

Related U.S. Application Data

(60) Division of application No. 29/100,683, filed on Feb. 16,
1999, which is a continuation-in-part of application No.
29/079,239, filed on Nov. 10, 1997, now Pat. No. Des.
410,146.

(51) **LOC (7) Cl.** **03-01**

(52) **U.S. Cl.** **D3/306**

(58) **Field of Search** D3/306, 304, 307;
217/122-125; 220/752, 760, 769, 773, 774

(56) **References Cited**

U.S. PATENT DOCUMENTS

177,783	*	5/1876	Amsden	217/122
D. 312,910		12/1990	Jeresano	D3/306
D. 312,911		12/1990	Jeresano	D3/306
D. 321,073		10/1991	Azures	D3/306
D. 321,967		11/1991	Lumaban	D3/306
D. 390,359		2/1998	Lacy	D3/306
D. 413,441	*	9/1999	Dennehy	D3/306
1,329,966		2/1920	Garritson	.	
1,642,181		9/1927	Smith	.	

1,891,151		12/1932	Florang	.	
1,933,525	*	10/1933	James	217/122
2,488,715		11/1949	Eggl	217/122
2,526,343	*	10/1950	Garrity	217/122
2,726,010		12/1955	McKnight	220/83

OTHER PUBLICATIONS

Carnation Basket Company flyer, Apr. 1996, (Small Square Herb Basket—Item No. 71; Large Rectangular Herb Basket—Item No. 72; Round Herb Basket—Item No. 74), 1996. Workshops of Gerald E. Henn Product Guide & Price List, Dec. 1995 (Pizza Basket, p. 2; Small and Medium Tobacco Baskets, p. 7).
“Coedru” basket publication, (Bamboo Hex. Strainer and Bamboo Hexagon Tray).

* cited by examiner

Primary Examiner—Louis S. Zarfes

Assistant Examiner—Catherine R. Oliver

(74) *Attorney, Agent, or Firm*—Porter, Wright, Morris & Arthur

(57) **CLAIM**

The ornamental design for hexagonal basket bottom, as shown and described.

DESCRIPTION

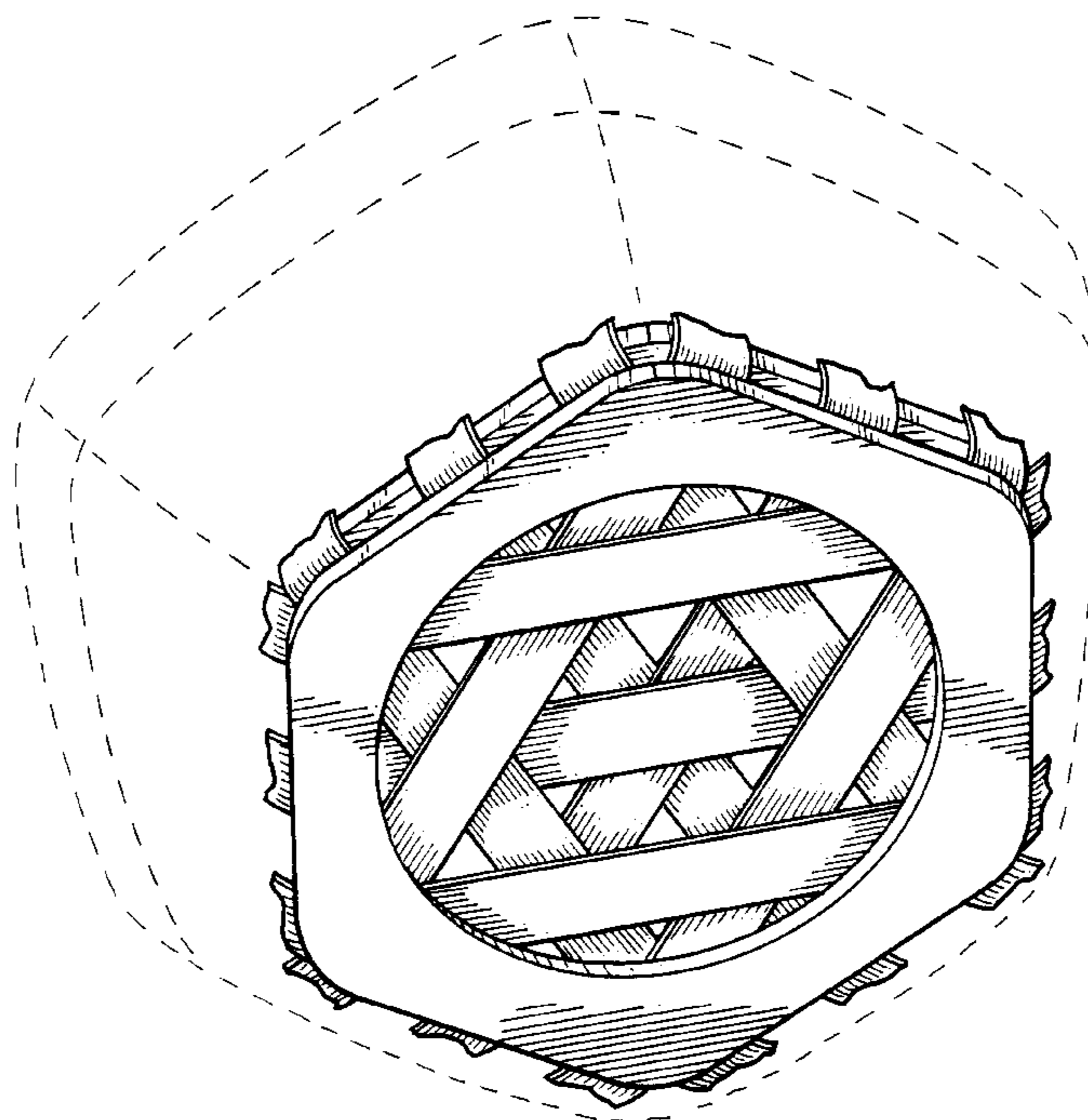
FIG. 1 is a front side elevation view of the hexagonal basket bottom showing our new design;

FIG. 2 is a top perspective view thereof; and,

FIG. 3 is a bottom perspective view thereof.

The broken line showing of a basket in the drawings is for illustrative purposes only and forms no part of the claimed design.

1 Claim, 3 Drawing Sheets



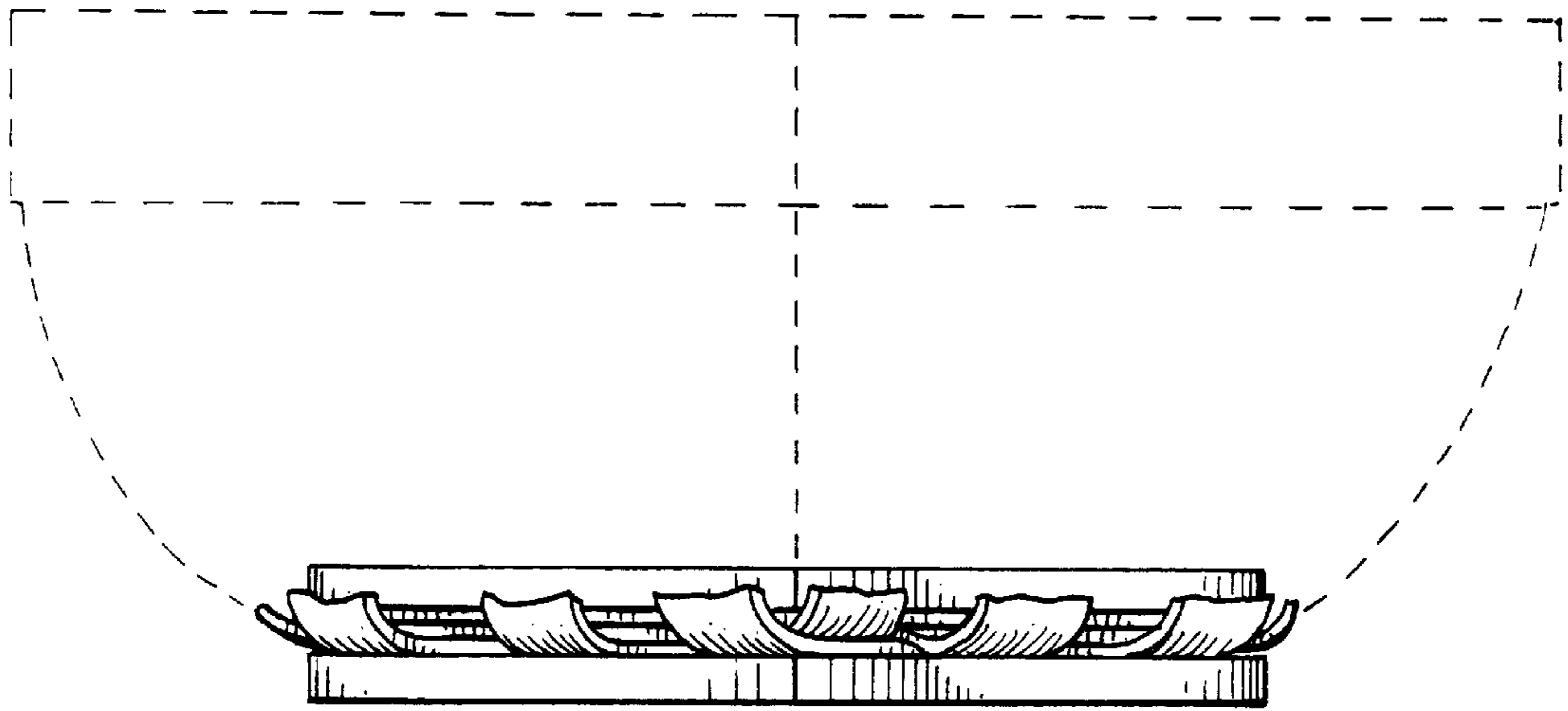


FIG. 1

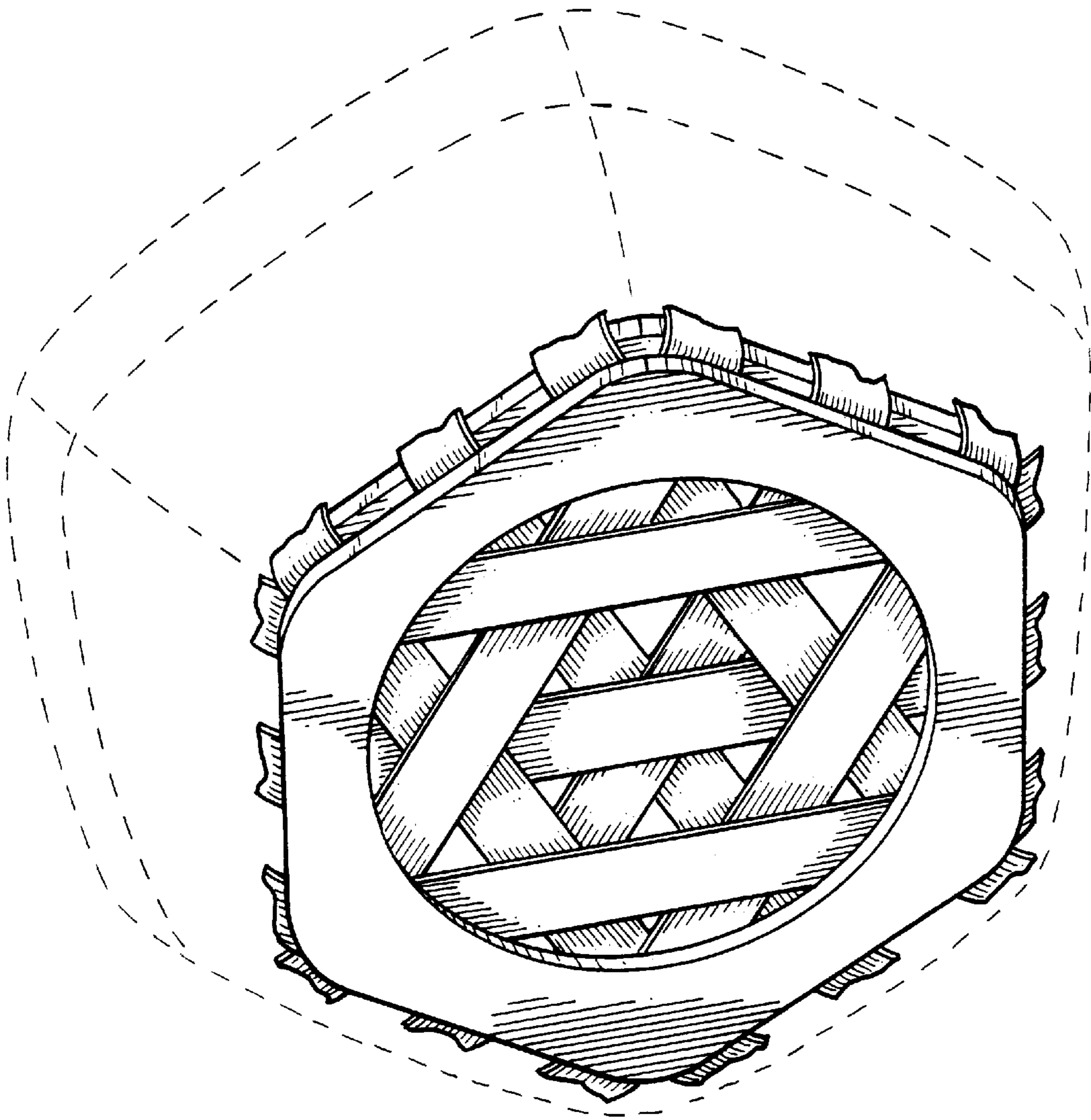


FIG. 2

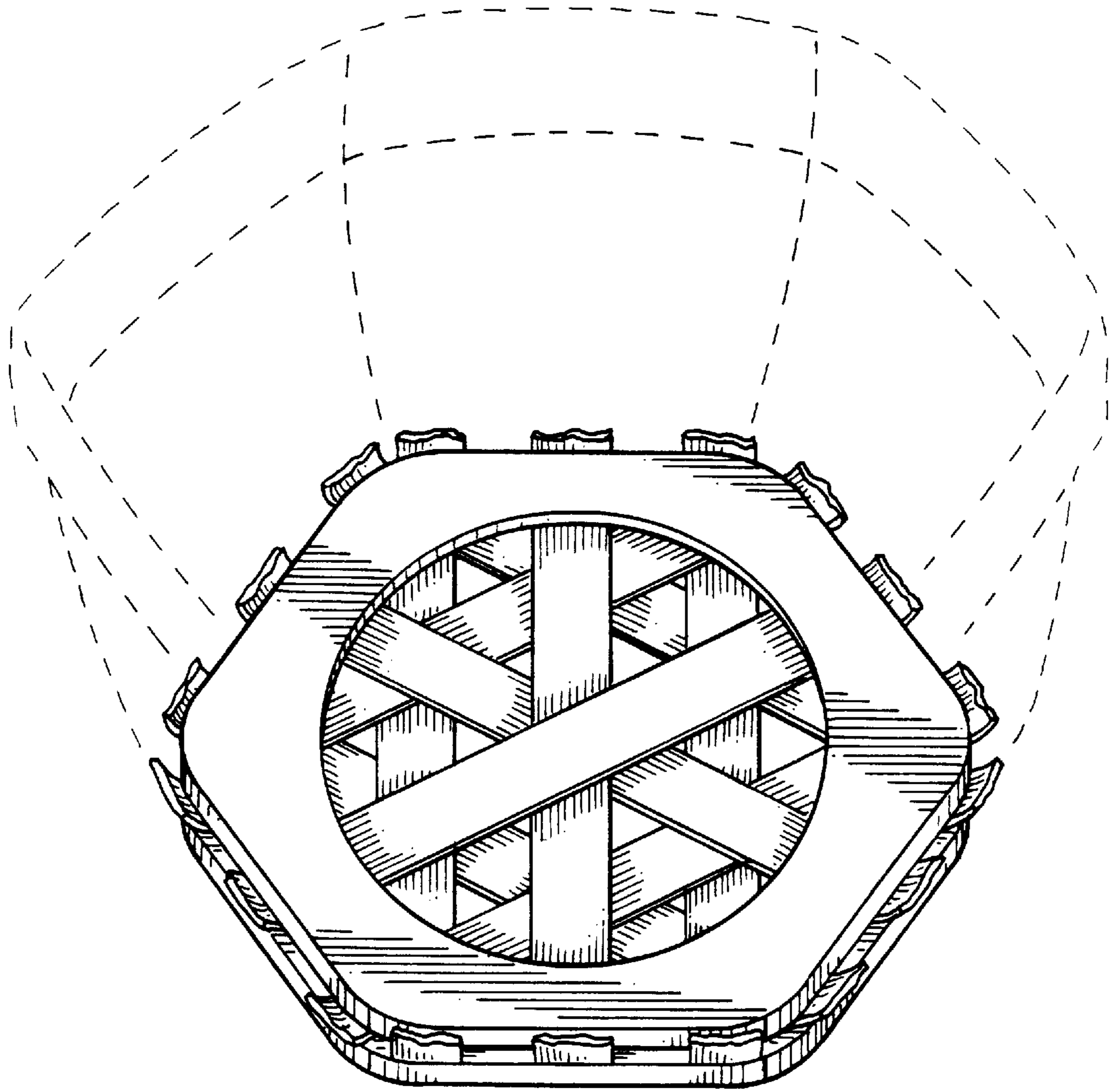


FIG. 3