



US00D438702S

(12) **United States Design Patent**
Thomas

(10) **Patent No.:** **US D438,702 S**

(45) **Date of Patent:** **** Mar. 13, 2001**

(54) **FOOTBALL CARRYING CASE**

(76) **Inventor:** **Steven A Thomas**, 518 Fern St.,
Yeadon, PA (US) 19050

(**) **Term:** **14 Years**

(21) **Appl. No.:** **29/121,783**

(22) **Filed:** **Apr. 12, 2000**

(51) **LOC (7) Cl.** **03-01**

(52) **U.S. Cl.** **D3/257**

(58) **Field of Search** D3/257, 254, 273,
D3/276, 285, 904; 206/315.9; 224/919;
D30/108, 109

(56) **References Cited**

U.S. PATENT DOCUMENTS

D. 275,717	*	10/1984	Carr	D3/257
2,515,715	*	7/1950	Jones	D3/276 X
2,538,778	*	1/1951	Halpin	D30/108 X
4,927,015	*	5/1990	Jones	206/315.9
5,730,287	*	3/1998	Martin	206/315.9

* cited by examiner

Primary Examiner—Louis S. Zarfaz

Assistant Examiner—Catherine R. Oliver

(57) **CLAIM**

The ornamental design for a football carrying case, as shown and described.

DESCRIPTION

FIG. 1 is a front elevational view of the football carrying case of the present invention, the rear view being a mirror image thereof;

FIG. 2 is a cross-sectional view taken along line 2—2 of FIG. 1 of the football carrying case;

FIG. 3 is a left side elevational view of the football carrying case of FIG. 1;

FIG. 4 is right side elevational view of the football carrying case of FIG. 1;

FIG. 5 is a top plan view of the football carrying case of FIG. 1; and,

FIG. 6 is a bottom plan view of the football carrying case of FIG. 1.

The broken line showing of environment in FIGS. 1—4 is for illustrative purposes only and forms no part of the claimed design.

1 Claim, 3 Drawing Sheets

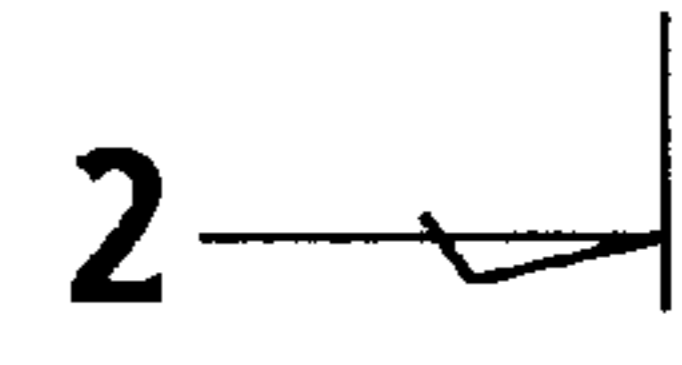
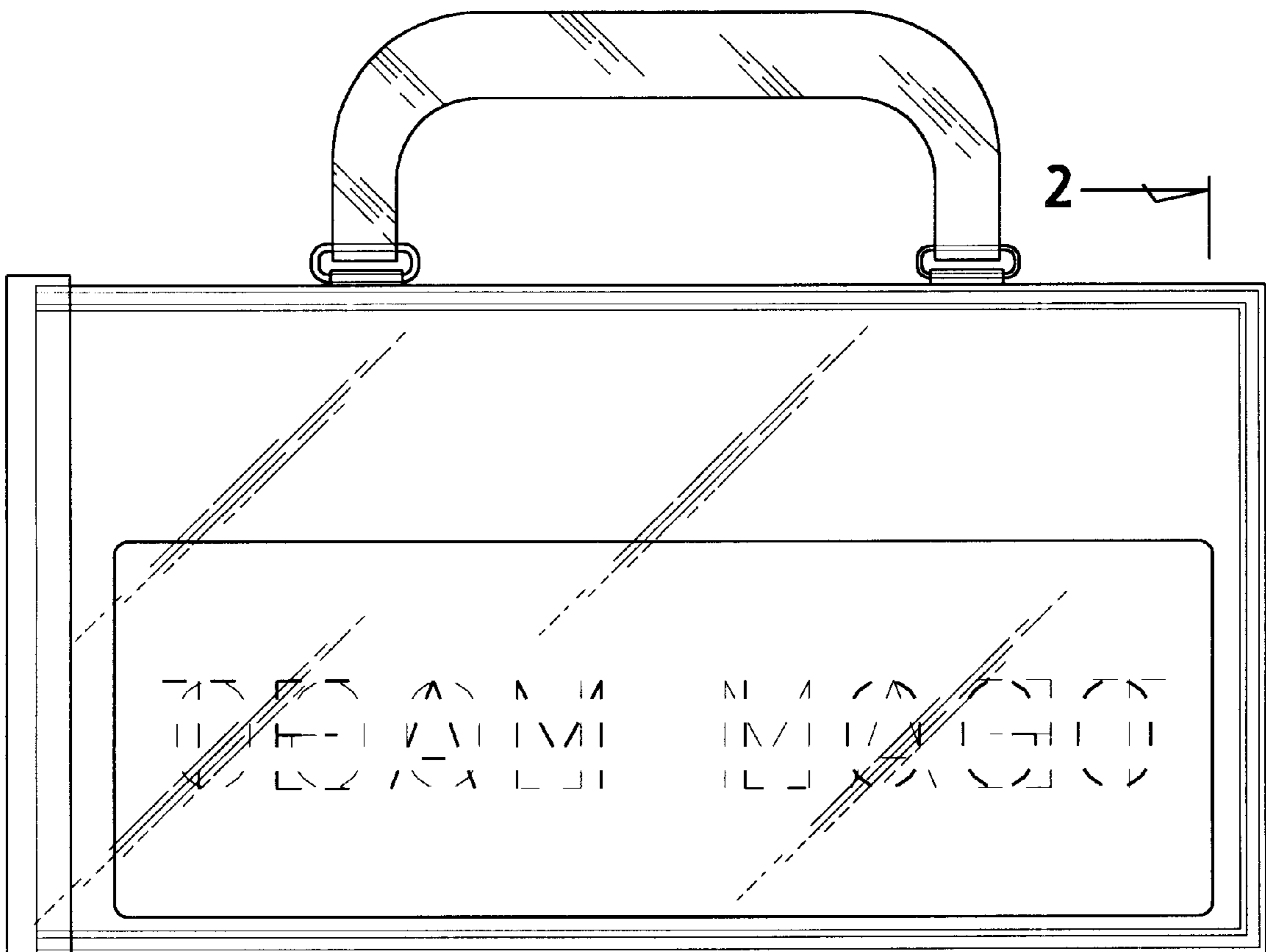


FIG. 1

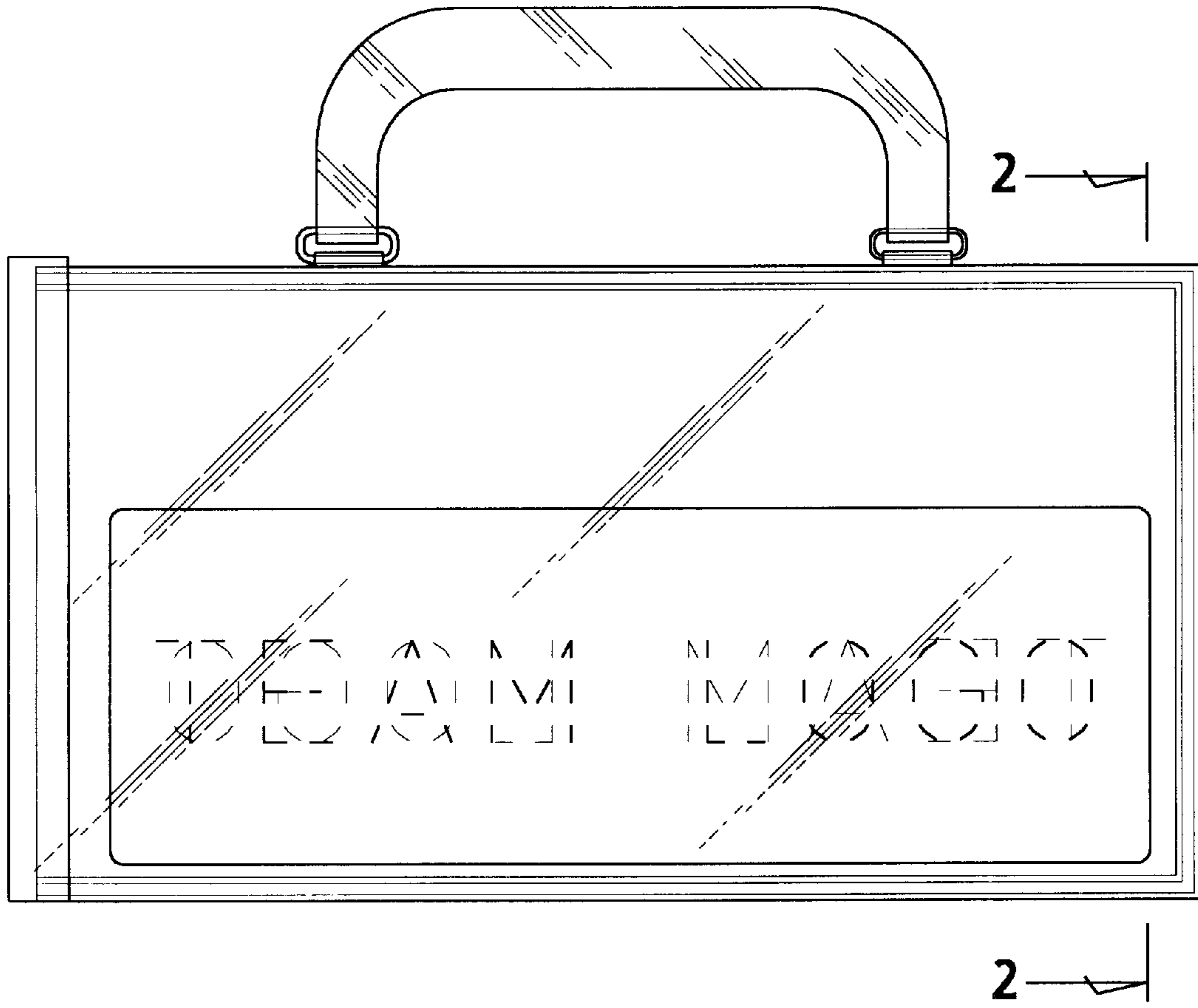


FIG. 2

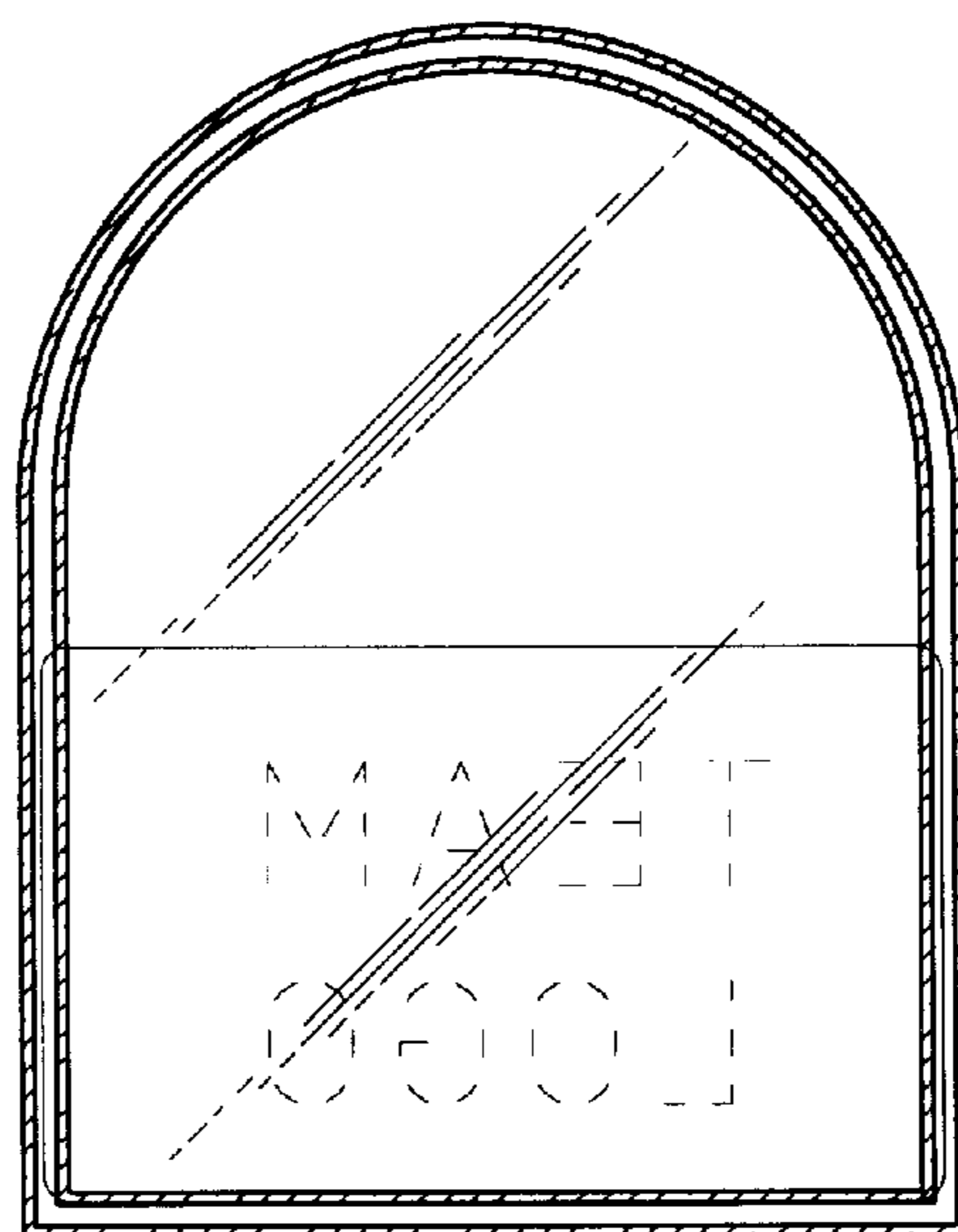


FIG. 3

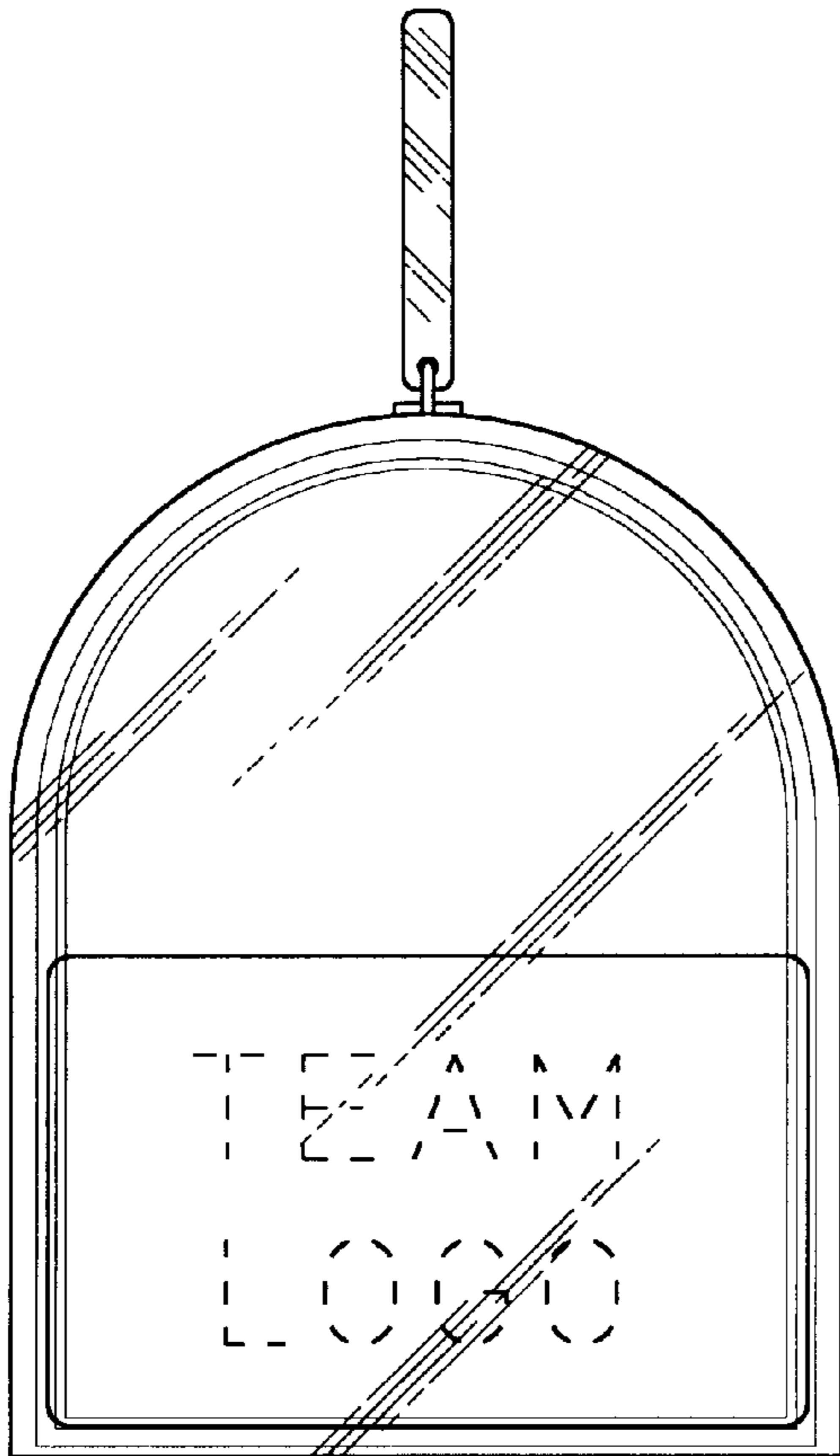


FIG. 4

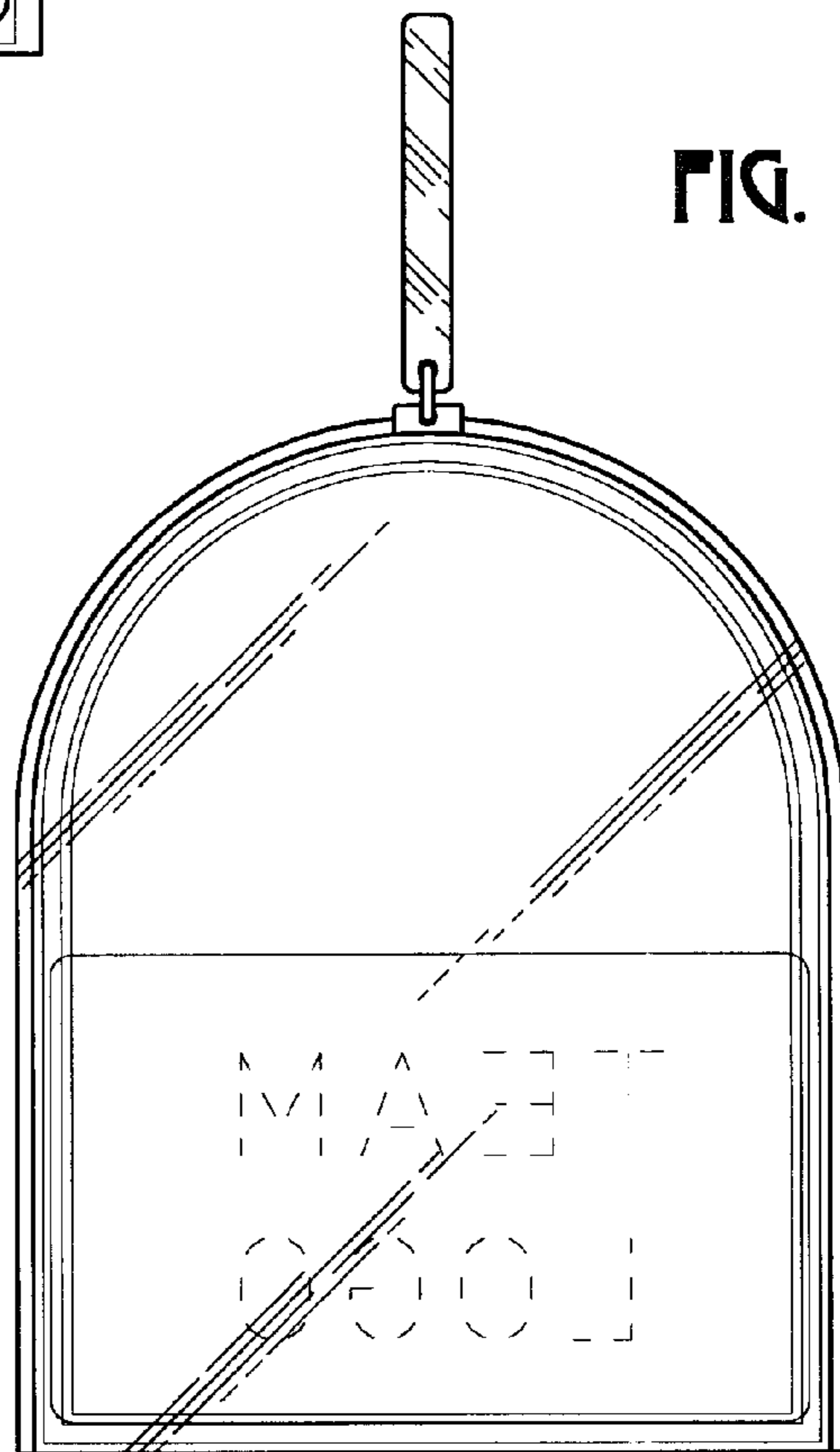


FIG. 5

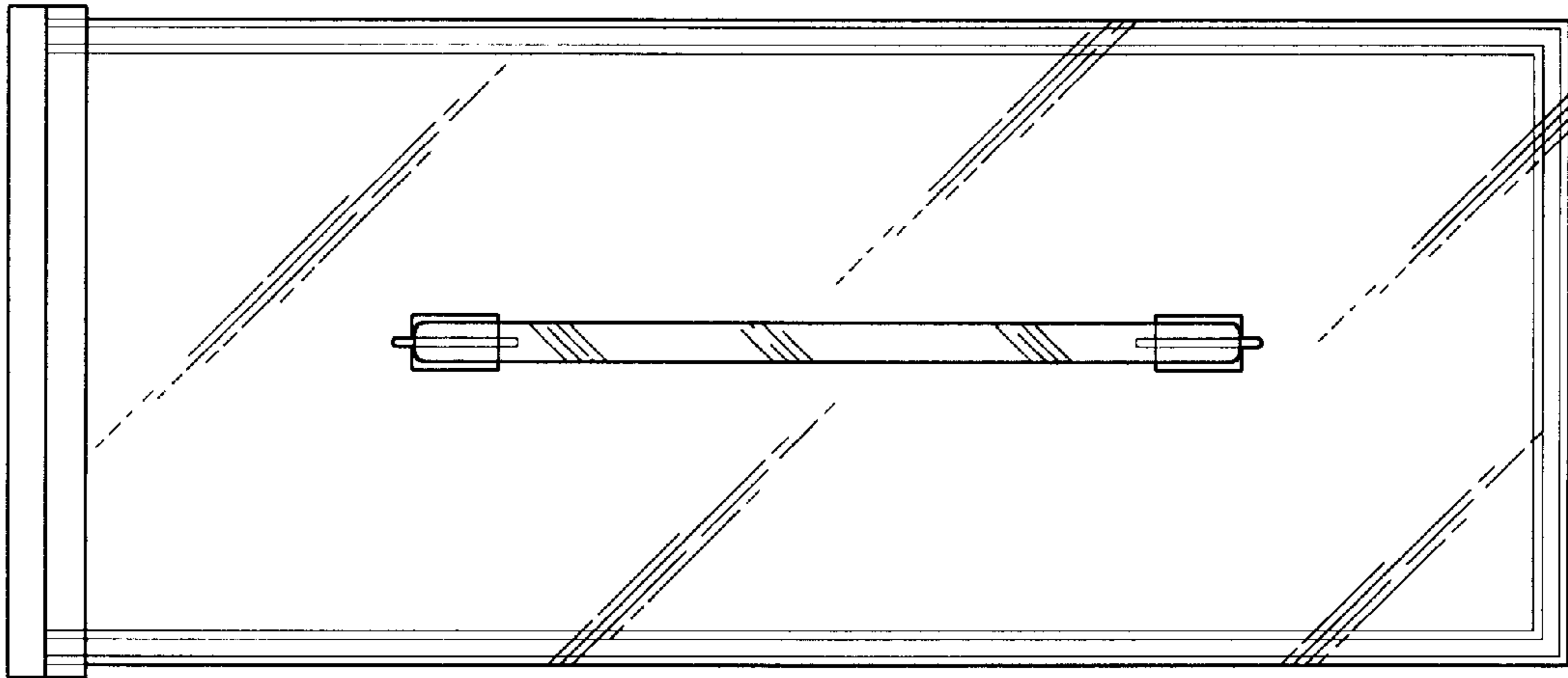


FIG. 6

