



US00D438689S

(12) **United States Design Patent**  
**Williams**

(10) **Patent No.:** **US D438,689 S**

(45) **Date of Patent:** **\*\* Mar. 6, 2001**

(54) **CHEVY™ EMBLEM MAILBOX**

5,950,918 \* 9/1999 McDonough ..... 232/17

(76) **Inventor:** **Keith Williams**, 16350 Dry Creek Rd.,  
Olsburg, KS (US) 66520

\* cited by examiner

(\*\*) **Term:** **14 Years**

*Primary Examiner*—Paula A. Mortimer  
(74) *Attorney, Agent, or Firm*—Shughart Thomson &  
Kilroy P.C.; Mark E. Brown

(21) **Appl. No.:** **29/104,715**

(57) **CLAIM**

(22) **Filed:** **May 11, 1999**

The ornamental design for a chevy™ emblem mailbox, as shown and described.

(51) **LOC (7) Cl.** ..... **99-00**

(52) **U.S. Cl.** ..... **D99/30**

(58) **Field of Search** ..... D99/29, 30, 31,  
D99/37, 99; D12/169; 232/17, 33, 39

**DESCRIPTION**

FIG. 1 is a top, front, right side, perspective view of a chevy™ emblem mailbox, showing my new design.

FIG. 2 is a front elevational view thereof;

FIG. 3 is a rear elevational view thereof;

FIG. 4 is a right side elevational view thereof;

FIG. 5 is a left side elevational view thereof;

FIG. 6 is a top plan view thereof; and,

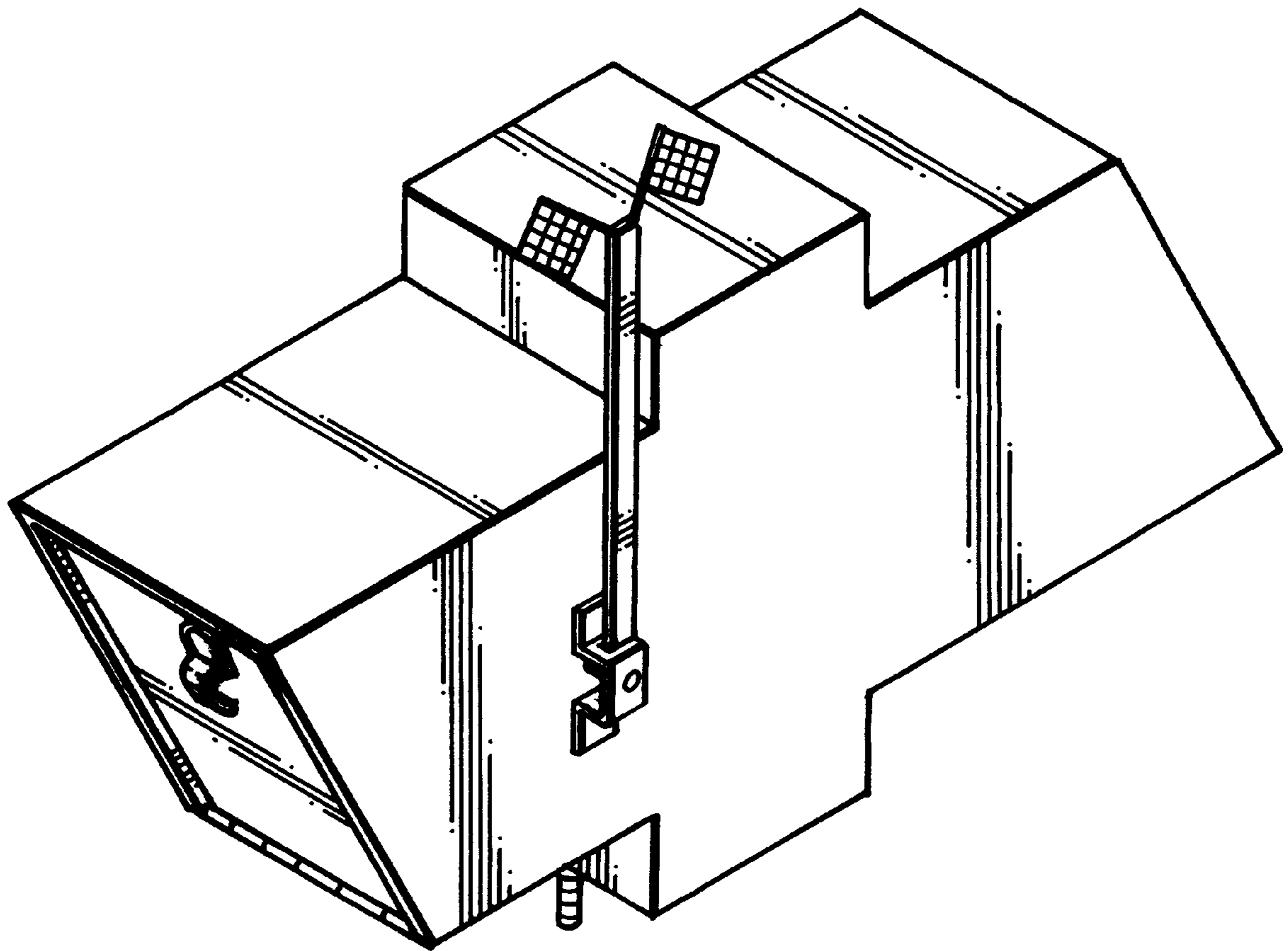
FIG. 7 is a bottom plan view thereof.

(56) **References Cited**

**U.S. PATENT DOCUMENTS**

- D. 288,258 \* 2/1987 Oden ..... D99/30
- D. 375,394 \* 11/1996 Hodges ..... D99/30
- D. 399,806 \* 10/1998 Lee ..... D12/169
- D. 418,272 \* 12/1999 Hioit ..... D99/30

**1 Claim, 4 Drawing Sheets**



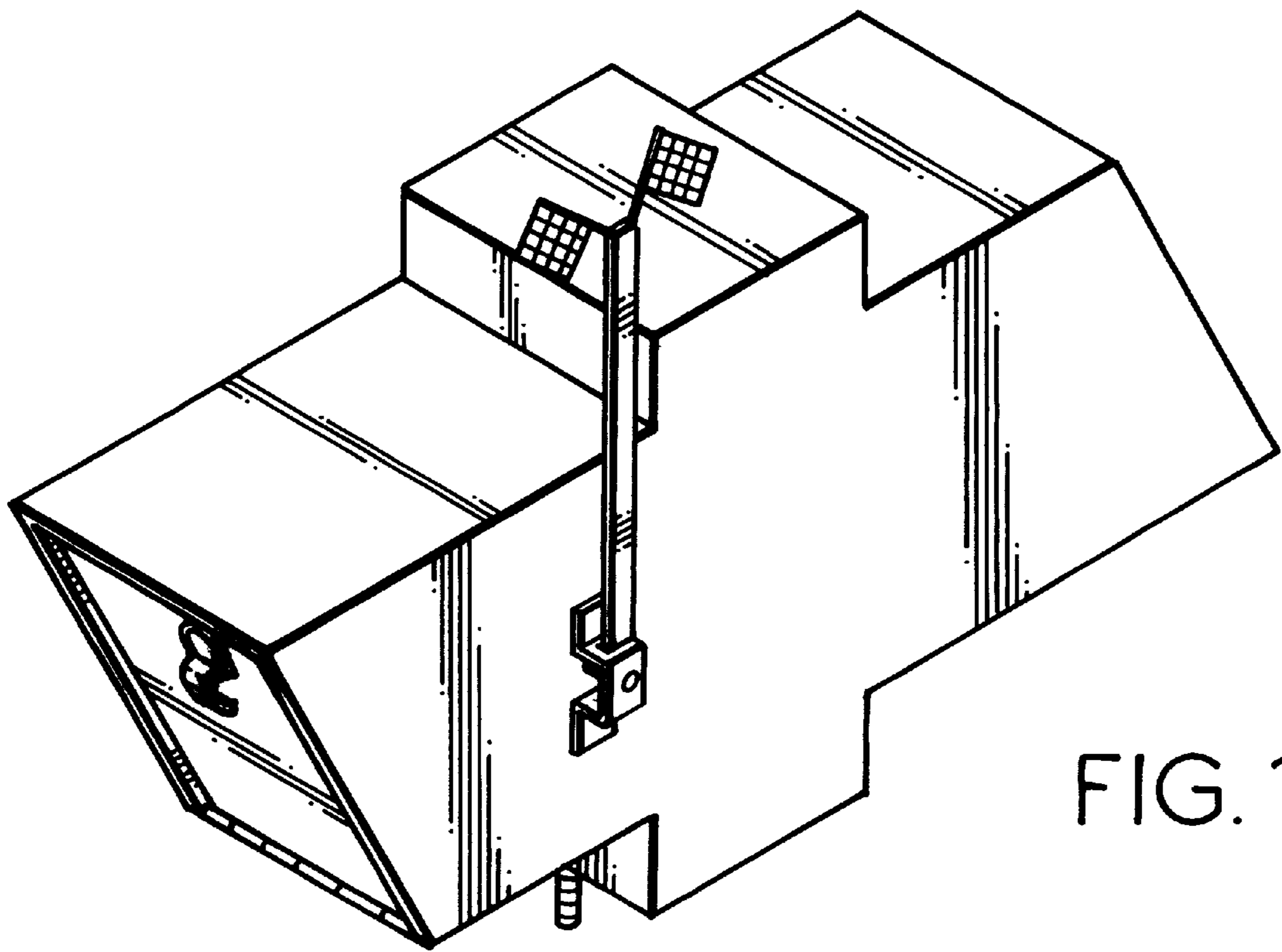


FIG. 1.

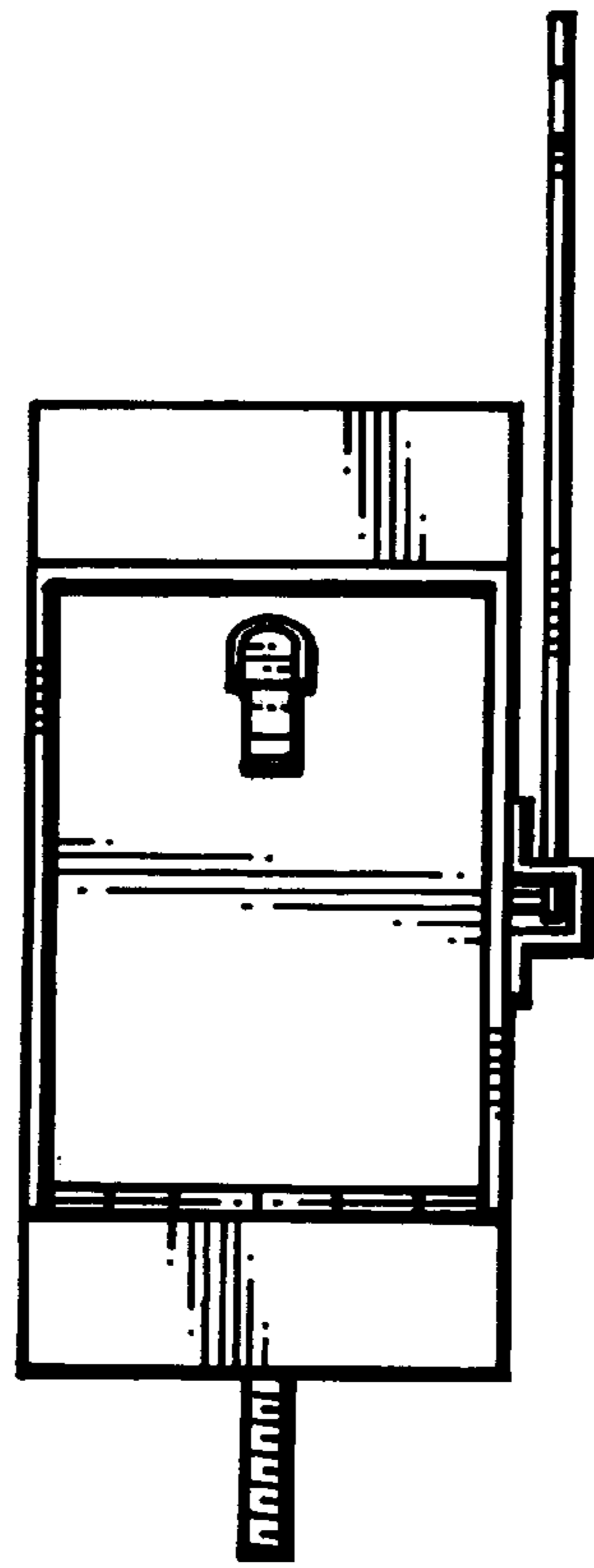


FIG. 2.

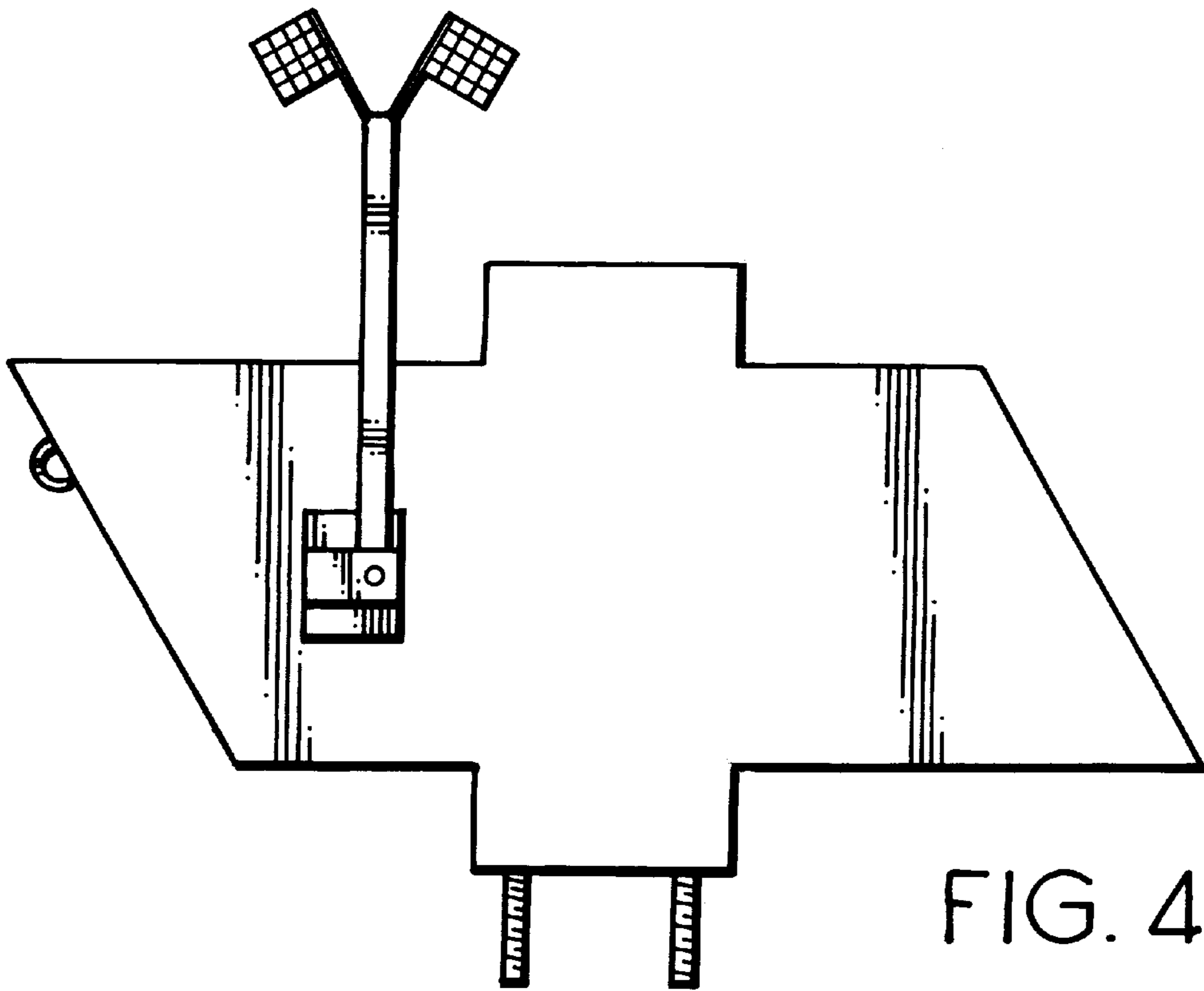


FIG. 4.

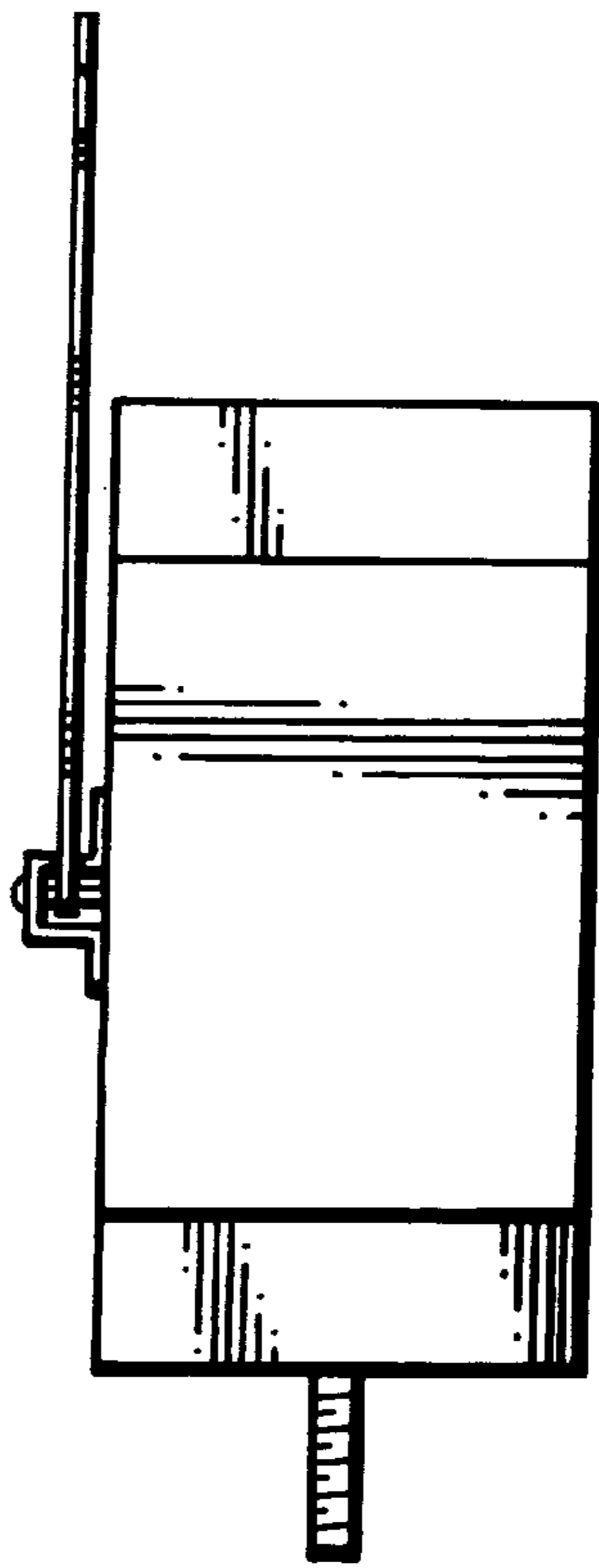


FIG. 3.

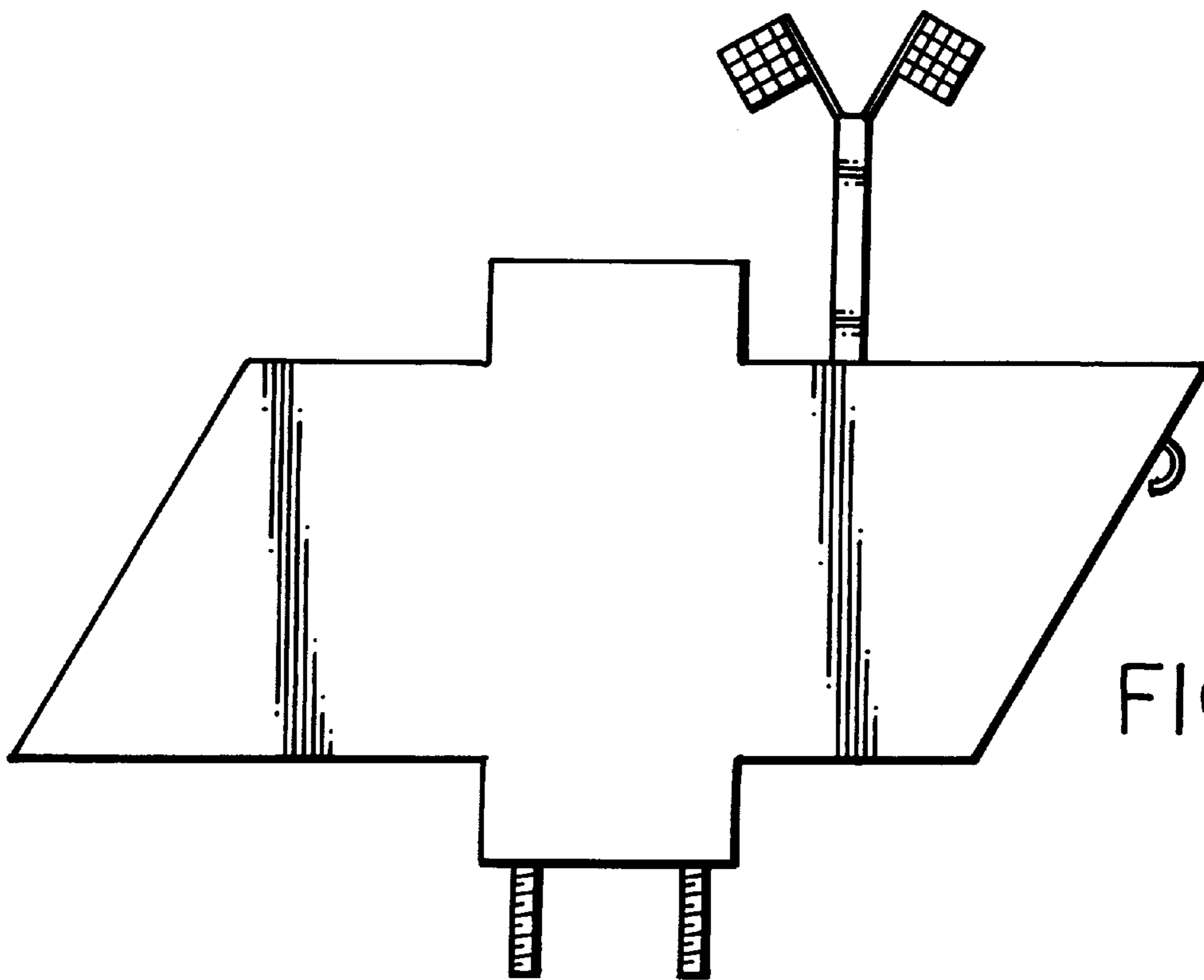


FIG. 5.

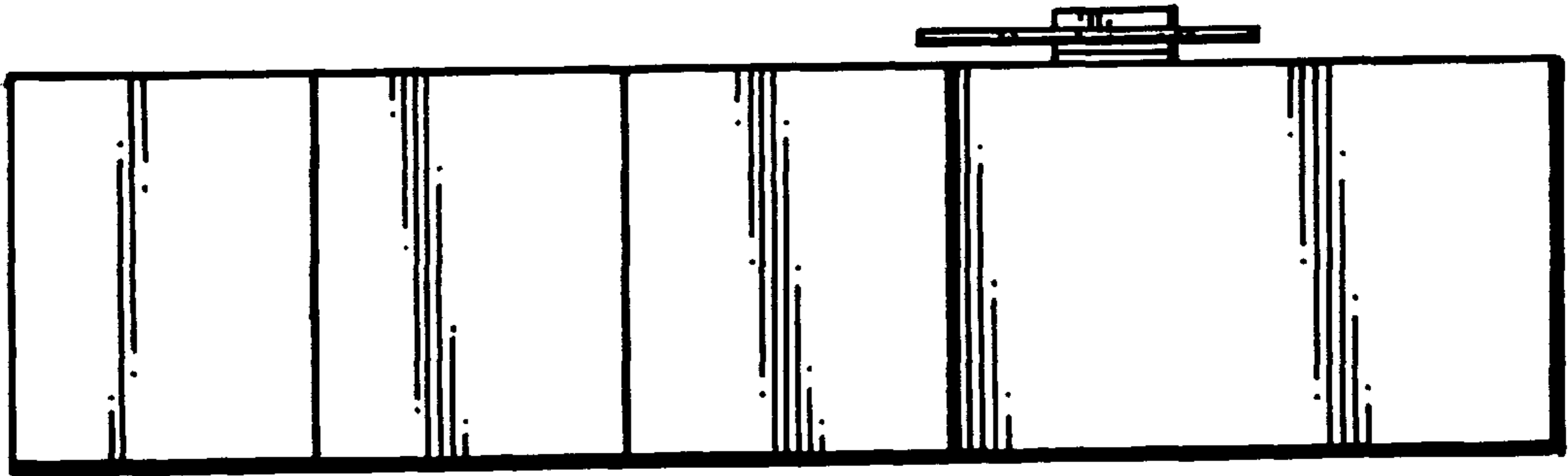


FIG. 6.

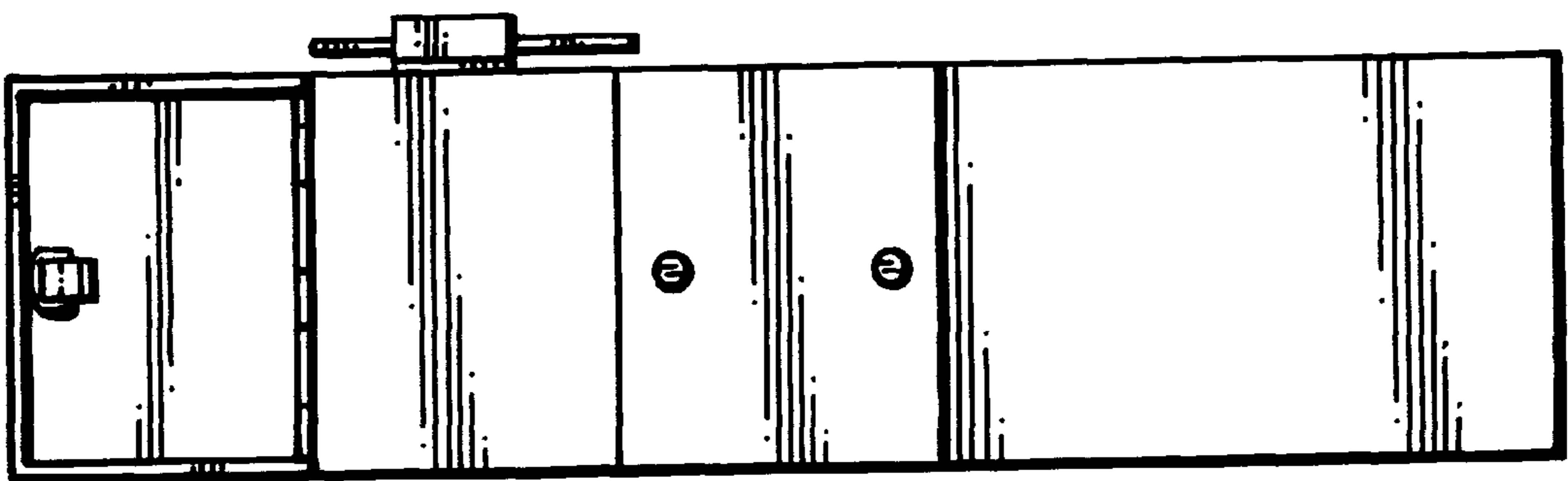


FIG. 7.