



US00D438688S

(12) **United States Design Patent**
Rastetter

(10) **Patent No.:** **US D438,688 S**

(45) **Date of Patent:** **** Mar. 6, 2001**

(54) **MAILBOX TRAY INSERT**

* cited by examiner

(76) Inventor: **Jean M Rastetter**, 469 Waynesburg Rd., West Alexander, PA (US) 15376

Primary Examiner—Paula A. Mortimer

(**) Term: **14 Years**

(57) **CLAIM**

The ornamental design for a mailbox tray insert, as shown and described.

(21) Appl. No.: **29/119,596**

(22) Filed: **Mar. 6, 2000**

DESCRIPTION

(51) **LOC (7) Cl.** **99-00**

(52) **U.S. Cl.** **D99/29**

(58) **Field of Search** D99/28, 29, 31;
232/17, 18, 19, 33; 211/88.01, 126.15,
132.1

FIG. 1 is a top, front, left side perspective view of the mailbox tray insert of the present invention;
FIG. 2 is a front elevational view of the mailbox tray insert of FIG. 1, the rear view being a mirror image thereof;
FIG. 3 is a left side elevational view of the mailbox tray insert of FIG. 1;
FIG. 4 is a right side elevational view of the mailbox tray insert of FIG. 1;
FIG. 5 is a top plan view of the mailbox tray insert of FIG. 1; and,
FIG. 6 is a bottom plan view of the mailbox tray insert of FIG. 1.

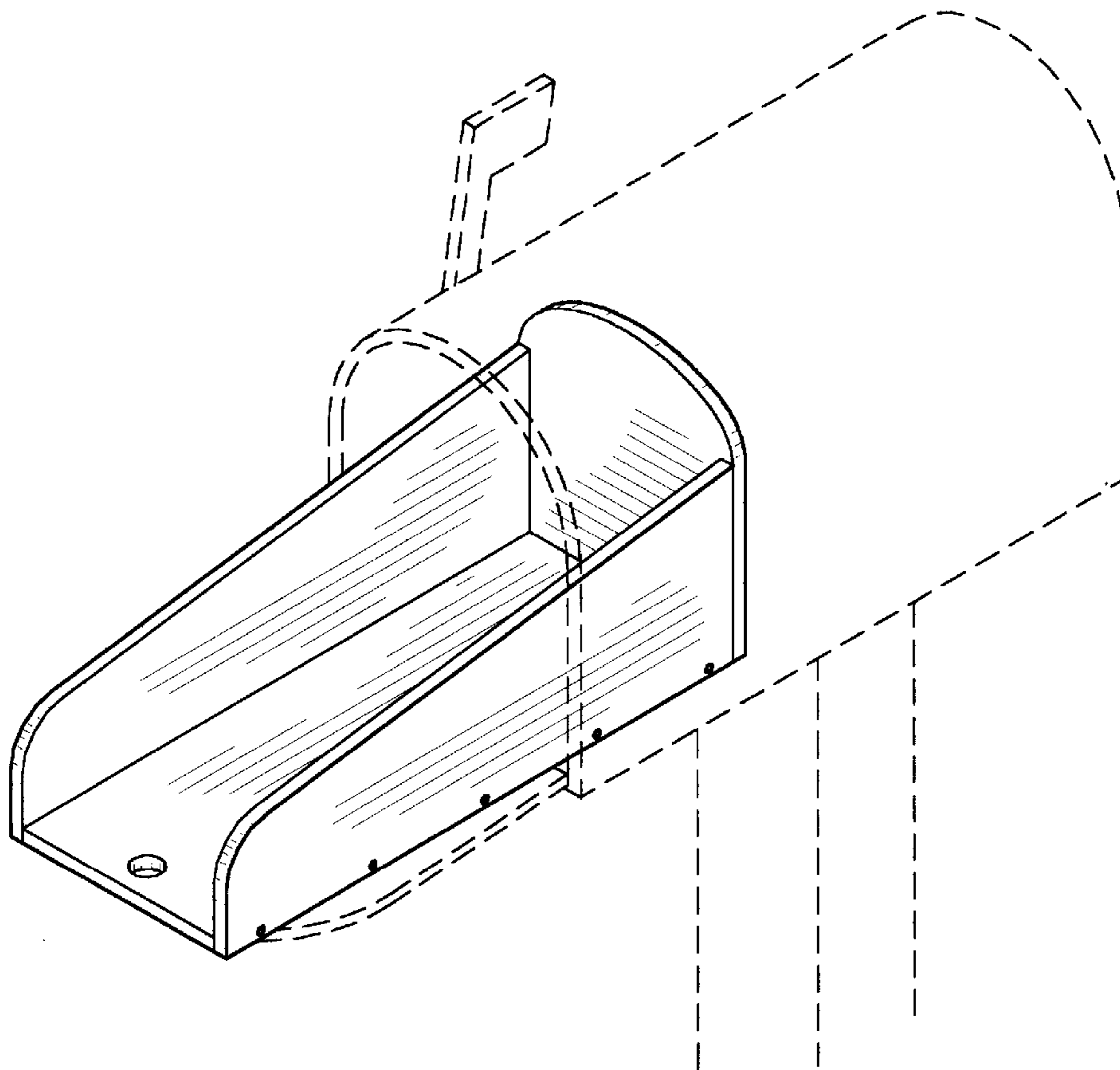
(56) **References Cited**

U.S. PATENT DOCUMENTS

D. 292,539	*	10/1987	Harlow, Jr. et al.	D99/29
D. 346,265	*	4/1994	Smith	D99/29
2,868,444	*	1/1959	Whittier	232/45
4,600,143	*	7/1986	Harlow, Jr. et al.	232/17
4,714,192	*	12/1987	Harlow, Jr. et al.	211/126.15 X
4,753,385	*	6/1988	Phipps et al.	232/17
5,009,366	*	4/1991	Van Druff, Jr. et al.	232/17
5,425,501	*	6/1995	Wesorick	232/17
5,765,749	*	6/1998	Harper	232/17

The broken lines showing of a mailbox and post in FIG. 1 are for illustrative purposes only and form no part of the claimed design.

1 Claim, 2 Drawing Sheets



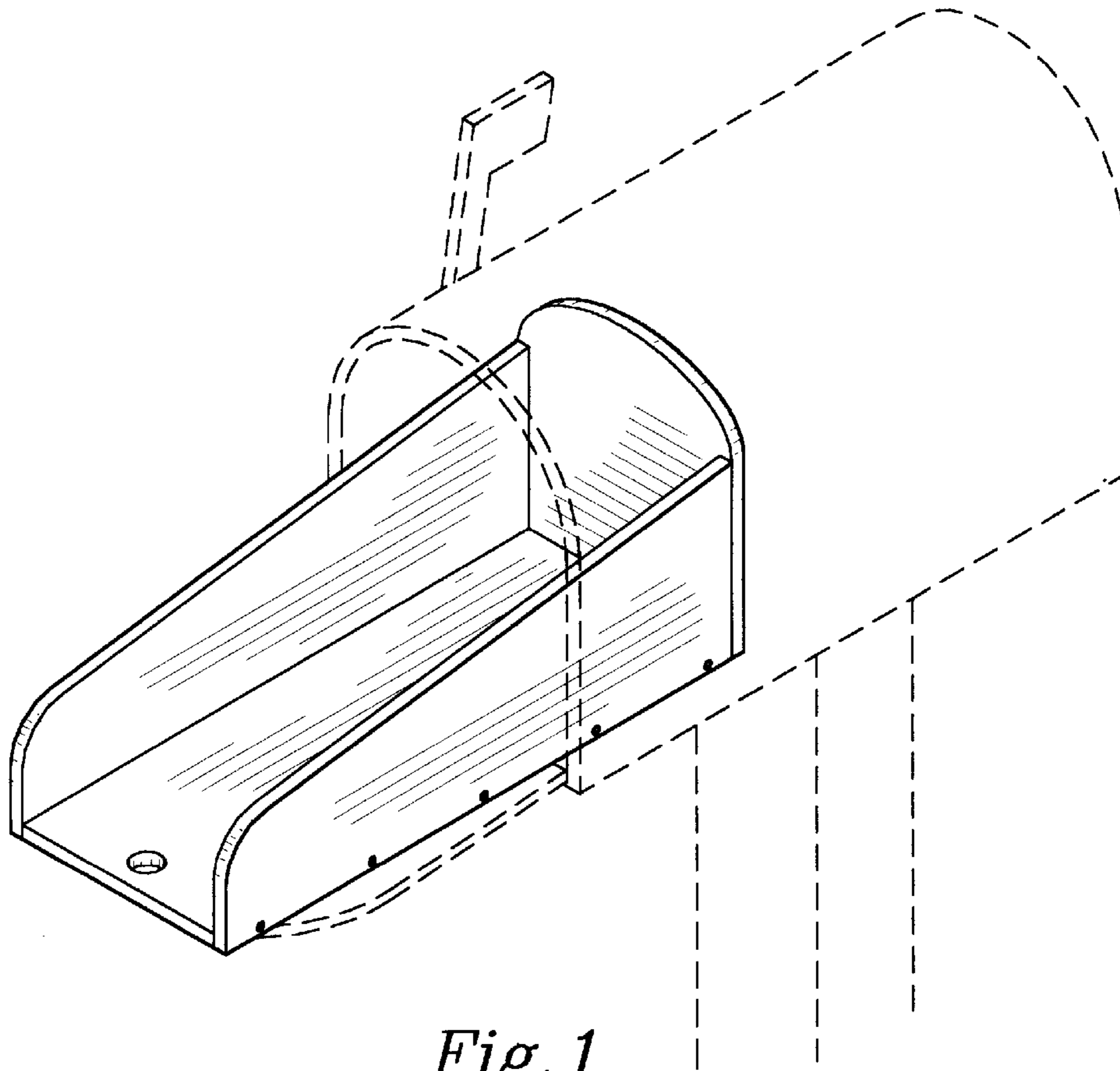


Fig. 1

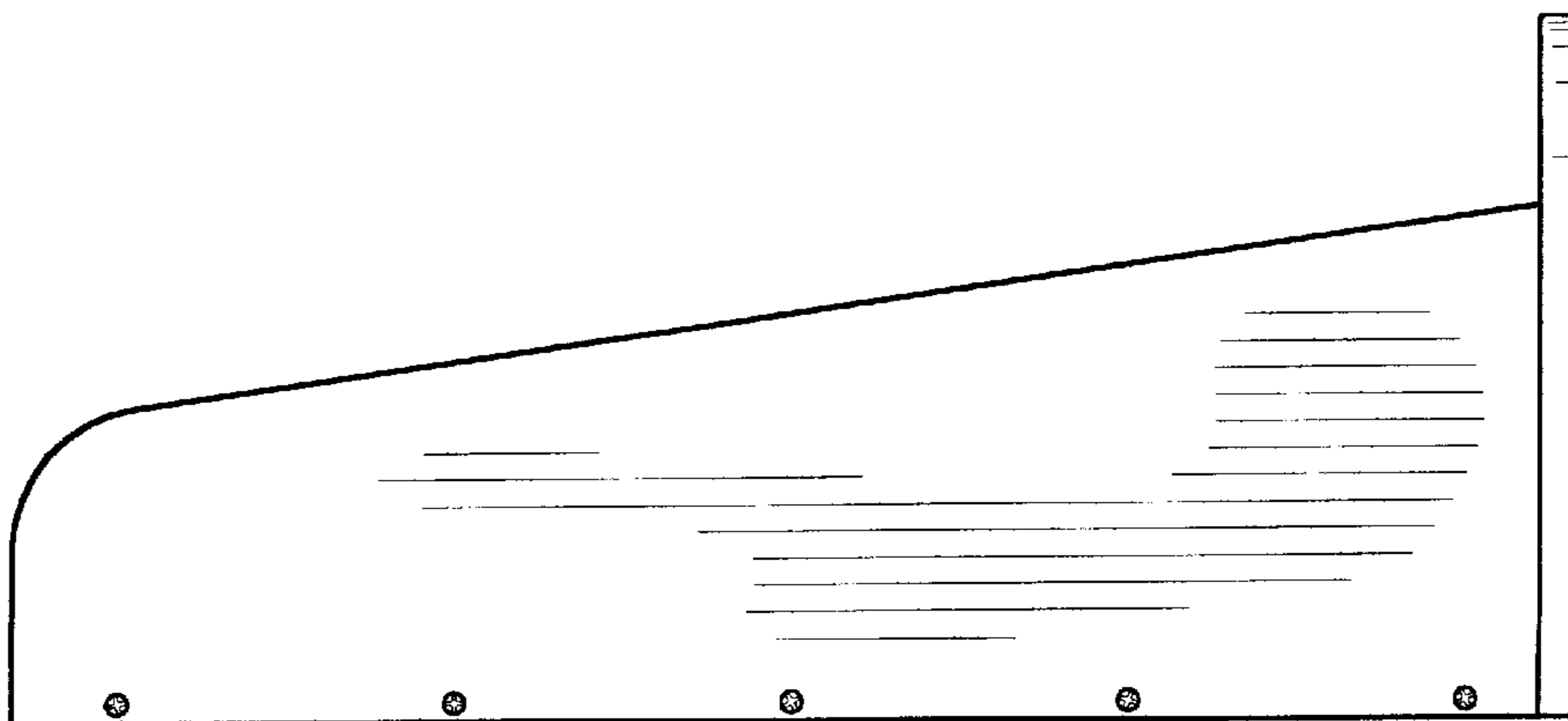


Fig. 2

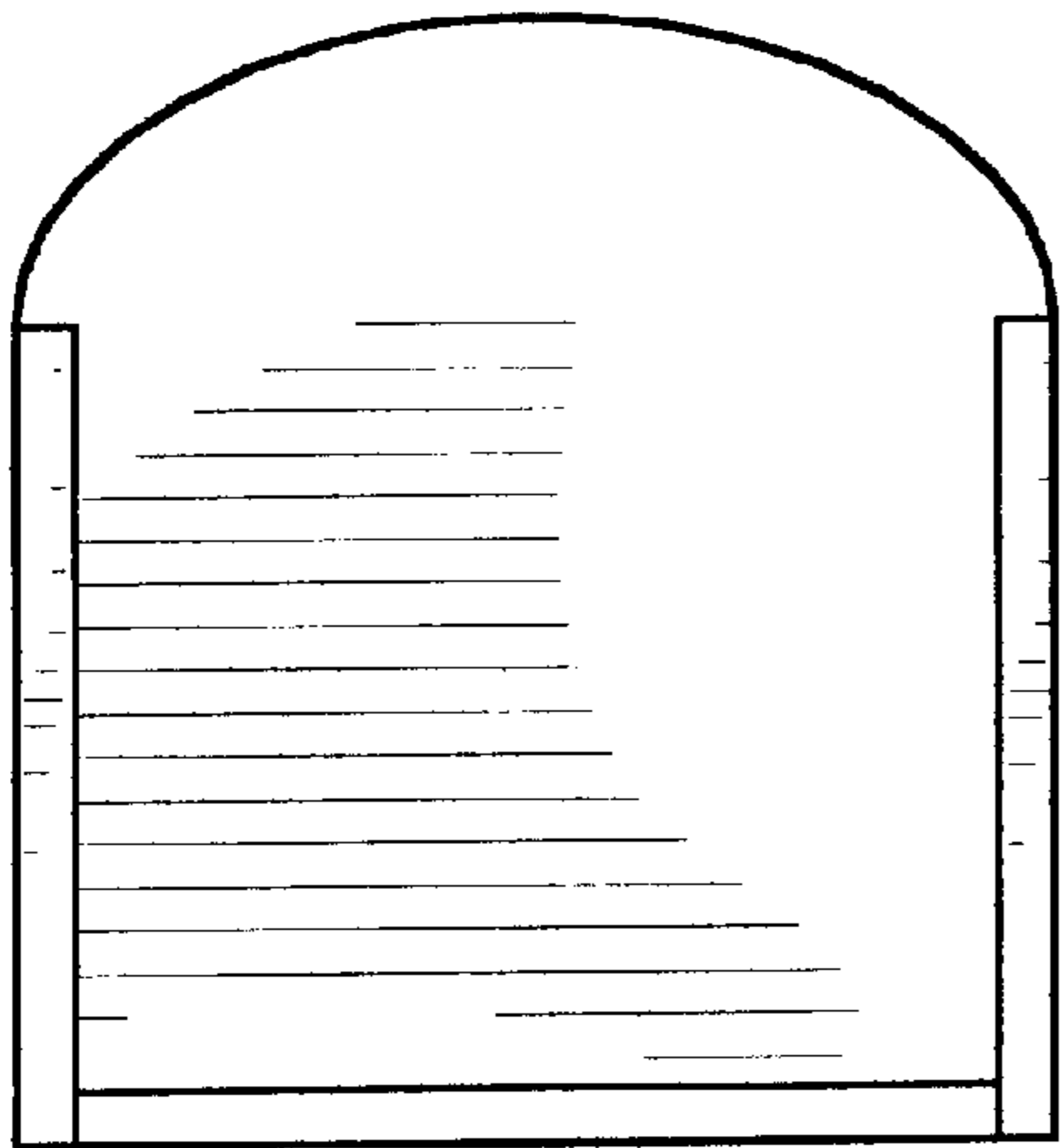


Fig. 3

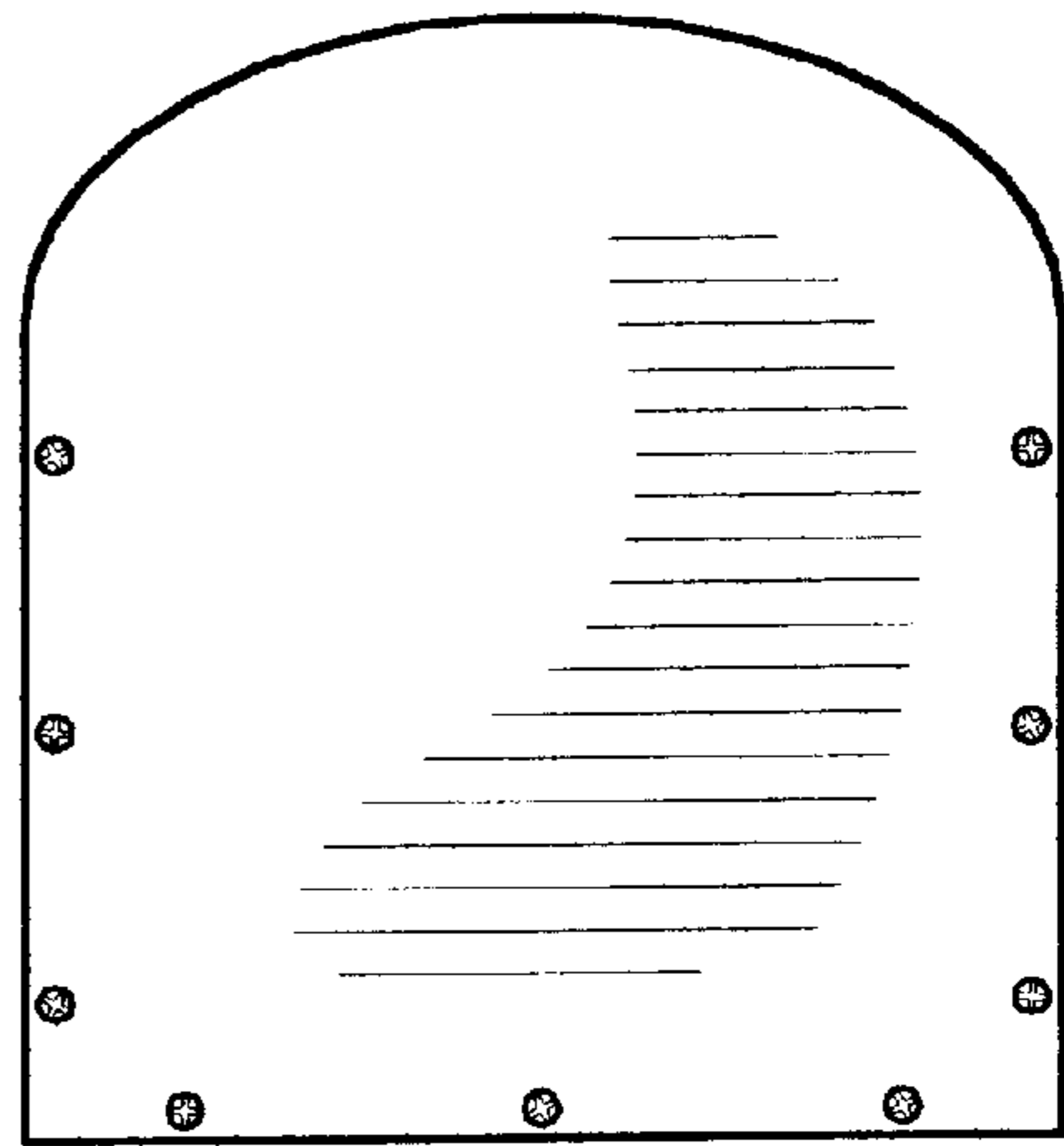


Fig. 4

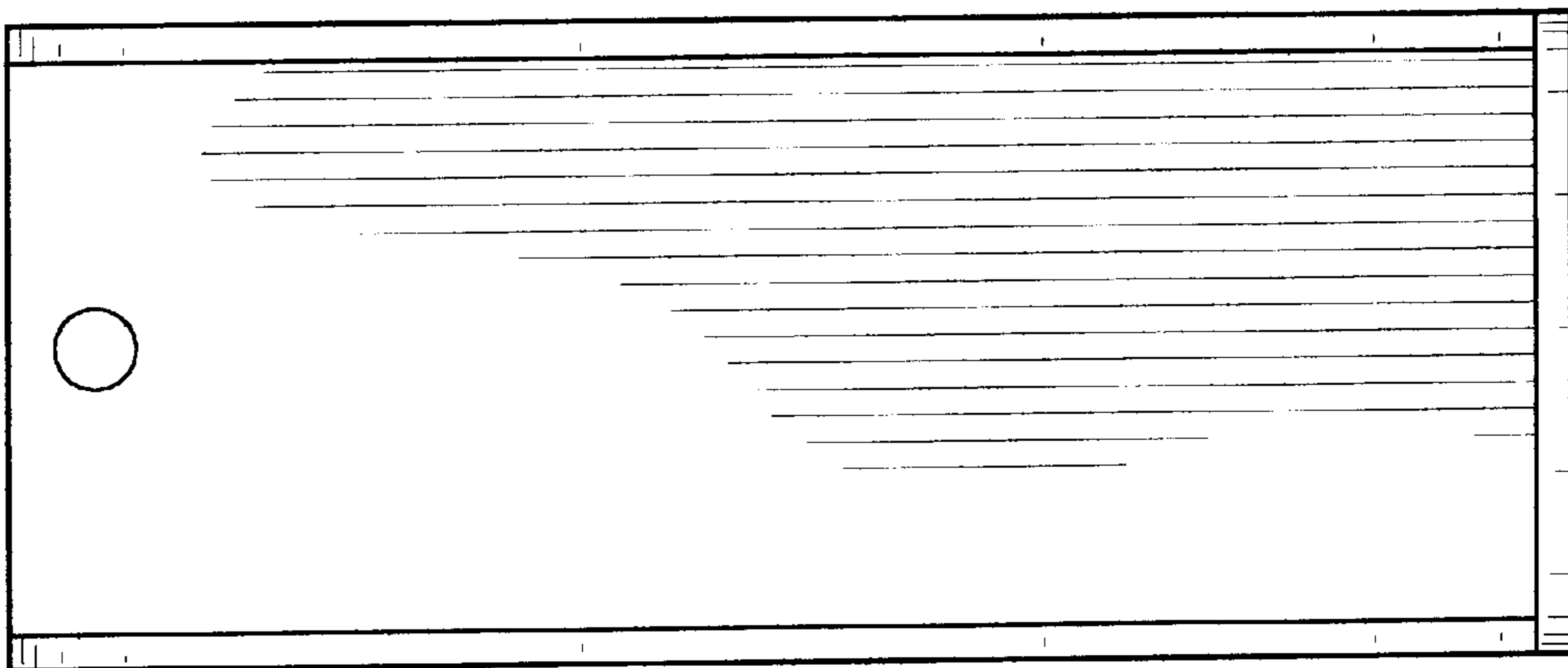


Fig. 5

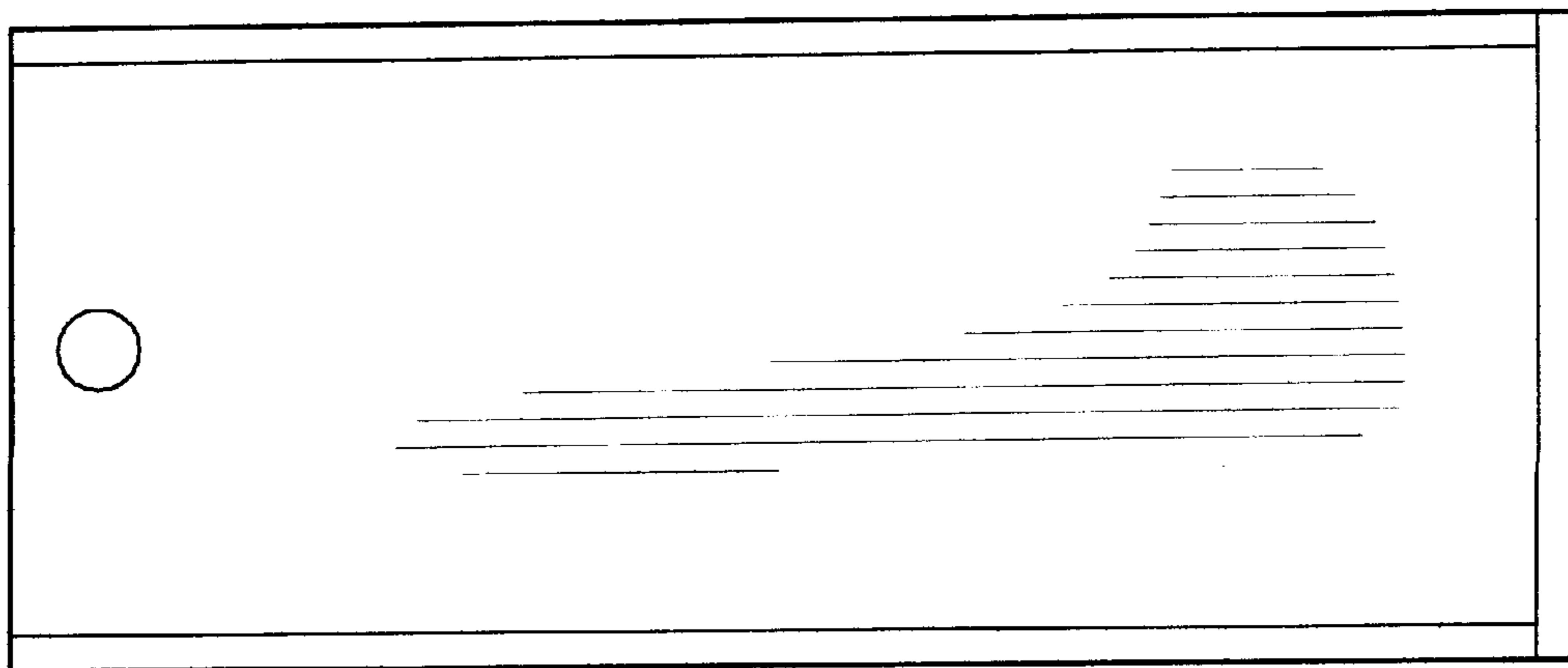


Fig. 6