



US00D438684S

(12) **United States Design Patent**  
**Hernandez**

(10) **Patent No.:** **US D438,684 S**

(45) **Date of Patent:** **\*\* Mar. 6, 2001**

(54) **SHOP CRANE**

(75) Inventor: **Hector Ray Hernandez**, Whittier, CA (US)

(73) Assignee: **Alltrade Inc.**, Long Beach, CA (US)

(\*\*) Term: **14 Years**

(21) Appl. No.: **29/126,790**

(22) Filed: **Jul. 24, 2000**

(51) **LOC (7) Cl.** ..... **12-05**

(52) **U.S. Cl.** ..... **D34/33**

(58) **Field of Search** ..... D34/33, 28, 31;  
414/785, 11, 917; 212/294, 295, 901; 187/200,  
244, 243; 254/2 R, 8 R

(56) **References Cited**

**U.S. PATENT DOCUMENTS**

D. 324,599	*	3/1992	Bailey	.....	D34/31
D. 341,242	*	11/1993	Thorby	.....	D34/33
D. 349,996	*	8/1994	Litwiller	.....	D34/33
D. 376,240	*	12/1996	Finnigan et al.	.....	D34/33
D. 423,751	*	4/2000	Owen	.....	D34/33
D. 431,890	*	10/2000	Twilligear et al.	.....	D34/33
3,059,785	*	10/1962	Buckeye	.....	414/785
3,521,860	*	7/1970	Zehrun, Jr. et al.	.....	414/785
3,866,759	*	2/1975	Lucas	.....	254/8 R X
4,669,703	*	6/1987	Hawkins et al.	.....	254/8 B
5,076,448	*	12/1991	Ballard	.....	254/8 B X
5,299,659	*	4/1994	Imbeault et al.	.....	254/2 R
5,441,378	*	8/1995	Puls	.....	414/785
5,897,100	*	4/1999	Napier et al.	.....	254/8 B

\* cited by examiner

*Primary Examiner*—Cynthia E Ramirez

(74) *Attorney, Agent, or Firm*—Robert R. Thornton

(57) **CLAIM**

The ornamental design for a shop crane, as shown and described.

**DESCRIPTION**

FIG. 1 is a perspective view of a shop crane in its folded and retracted disposition, showing my new design;

FIG. 2 is a perspective view similar to FIG. 1, but with my shop crane with its arm in its horizontal, retracted disposition;

FIG. 3 is a perspective view of the shop crane of FIG. 1, with its legs in their extended disposition and its arm in its horizontal disposition;

FIG. 4 is a perspective view similar to FIG. 3, but with the shop crane arm in its extended disposition;

FIG. 5 is a left side elevational view of my shop crane in the disposition shown in FIG. 4;

FIG. 6 is a top plan view of my shop crane in the disposition shown in FIG. 4;

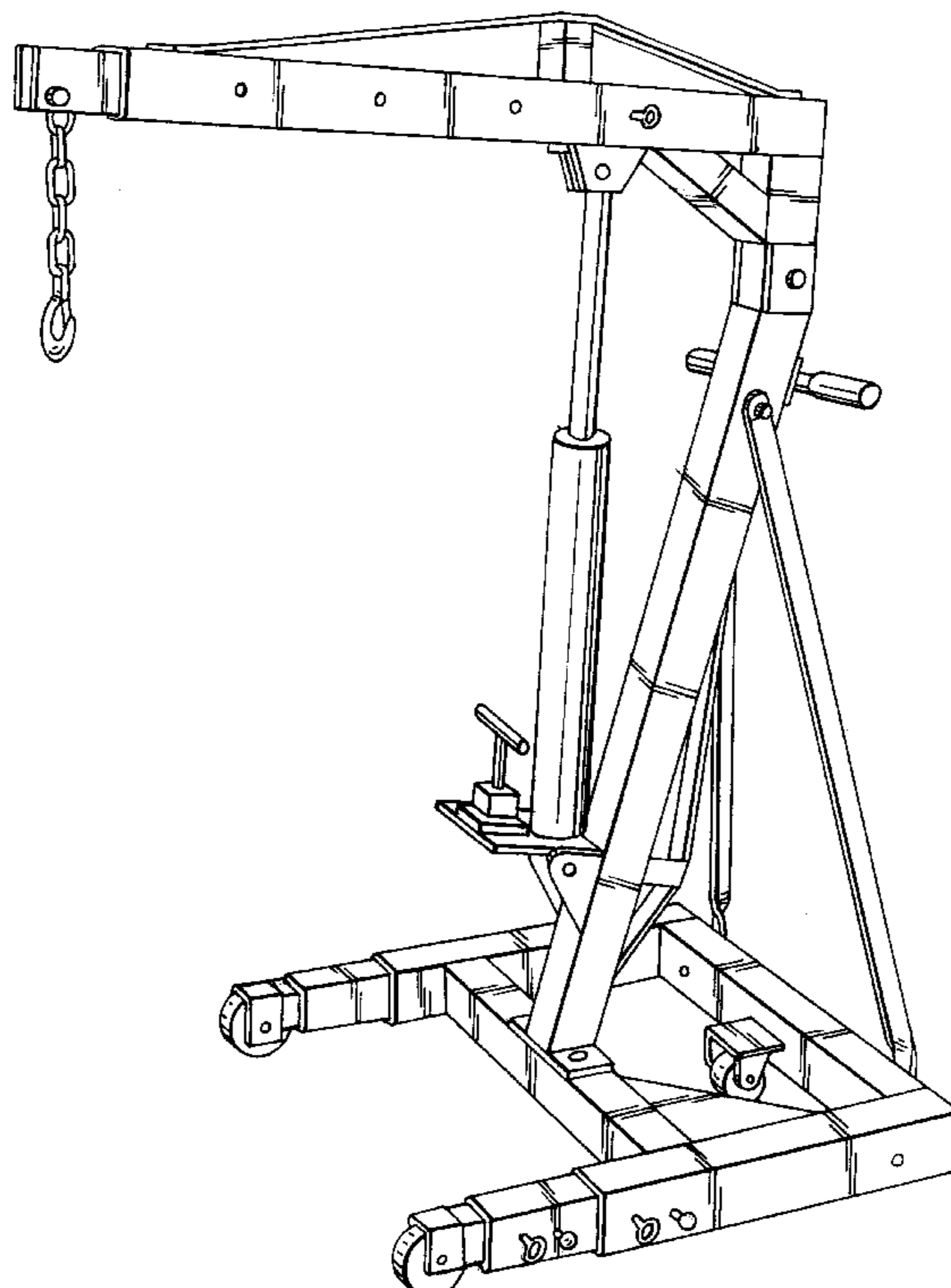
FIG. 7 is a front elevational view of my shop crane in the disposition shown in FIG. 4;

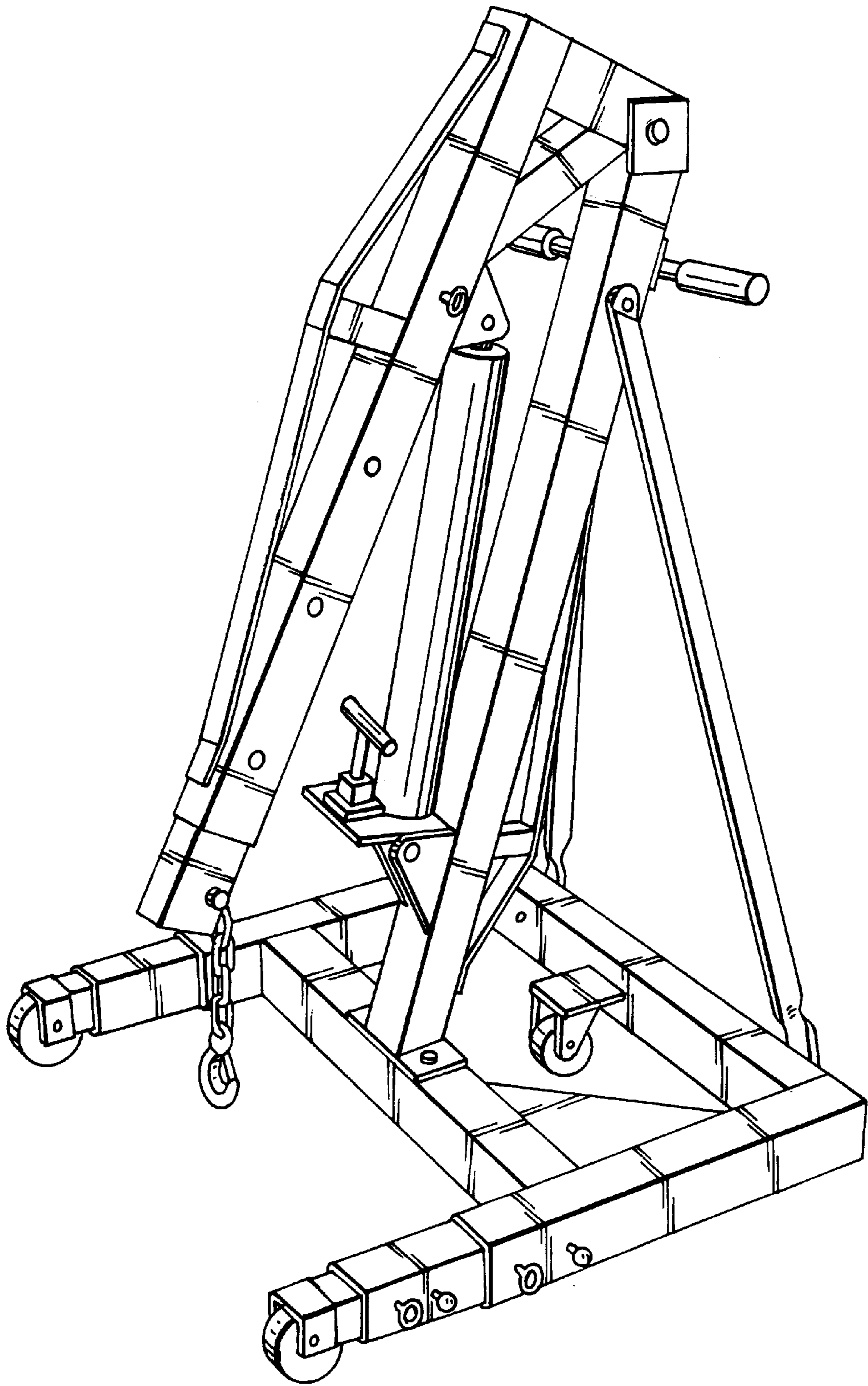
FIG. 8 is a rear elevational view of my shop crane in the disposition shown in FIG. 4;

FIG. 9 is a right side elevational view of my shop crane in the disposition shown in FIG. 4; and,

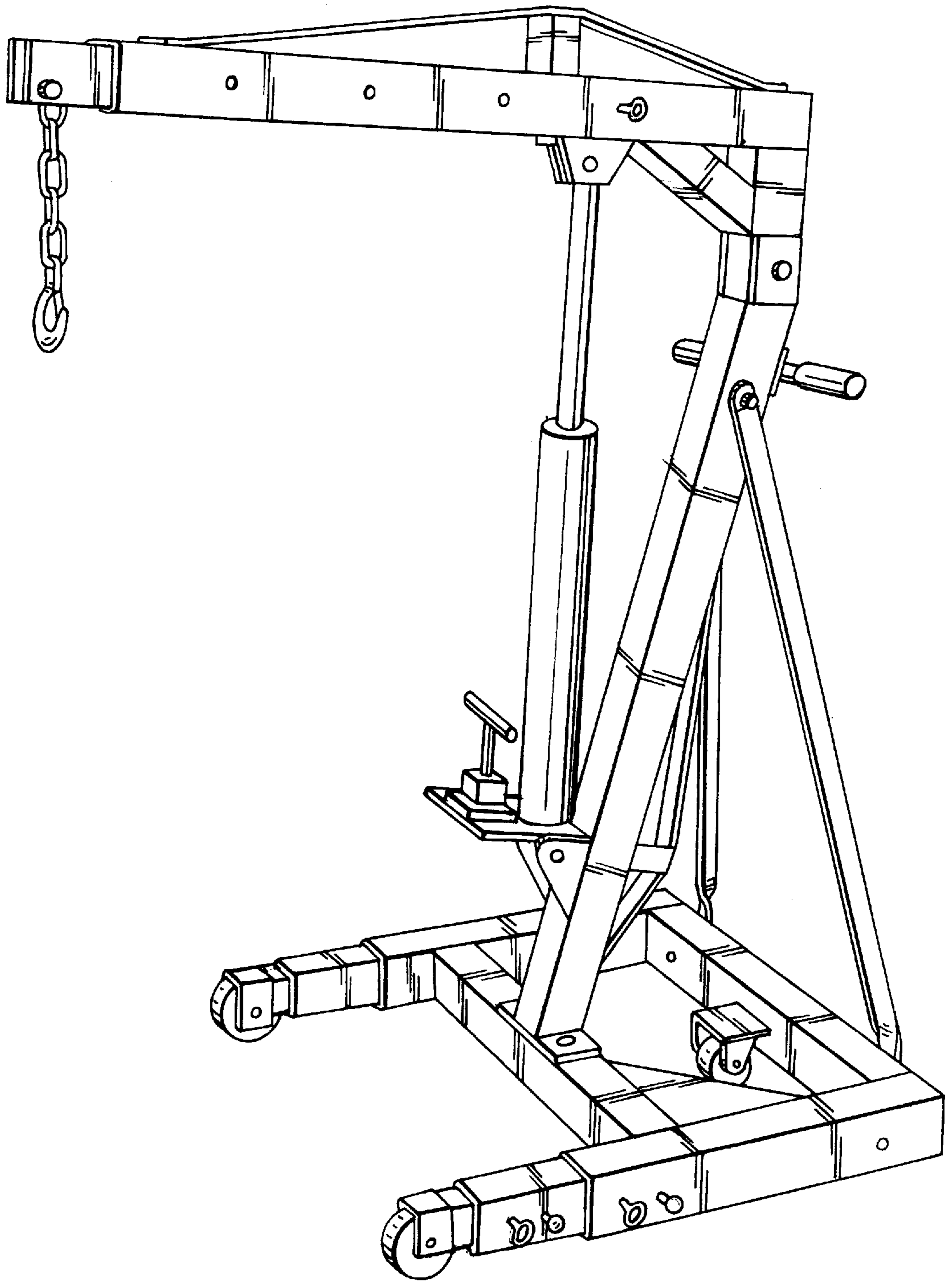
FIG. 10 is a bottom plan view of my shop crane in the disposition shown in FIG. 4.

**1 Claim, 7 Drawing Sheets**

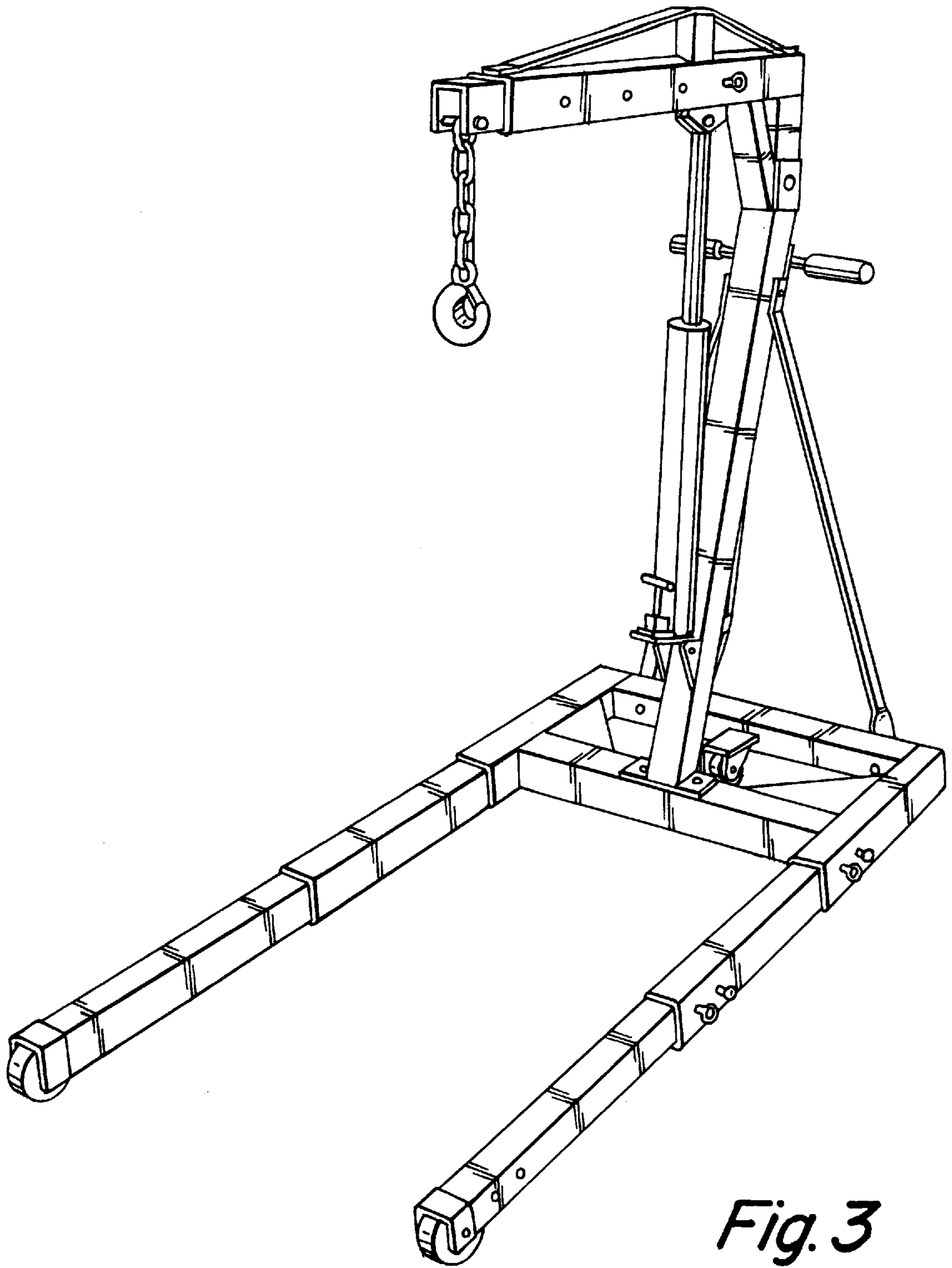




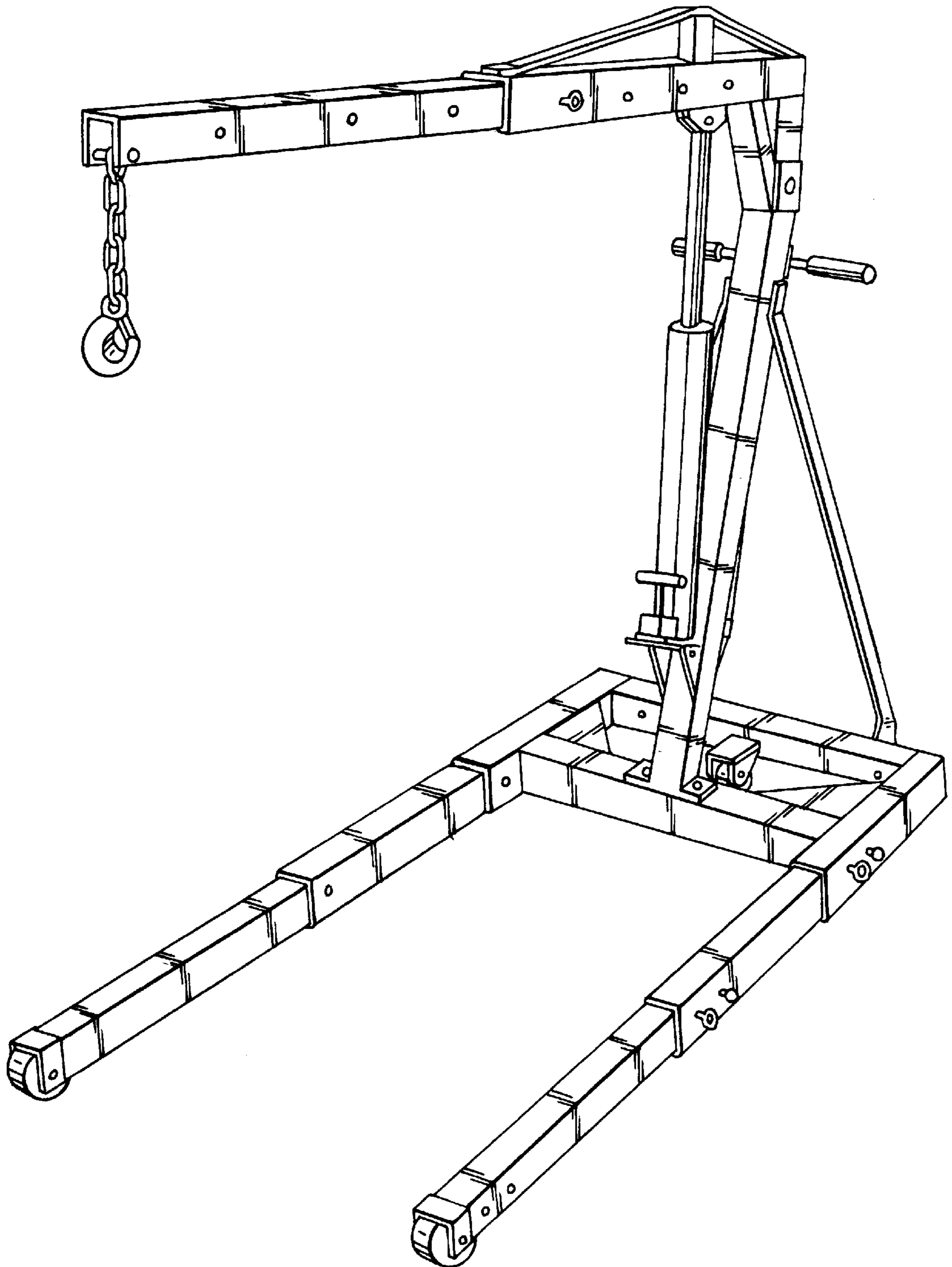
*Fig. 1*



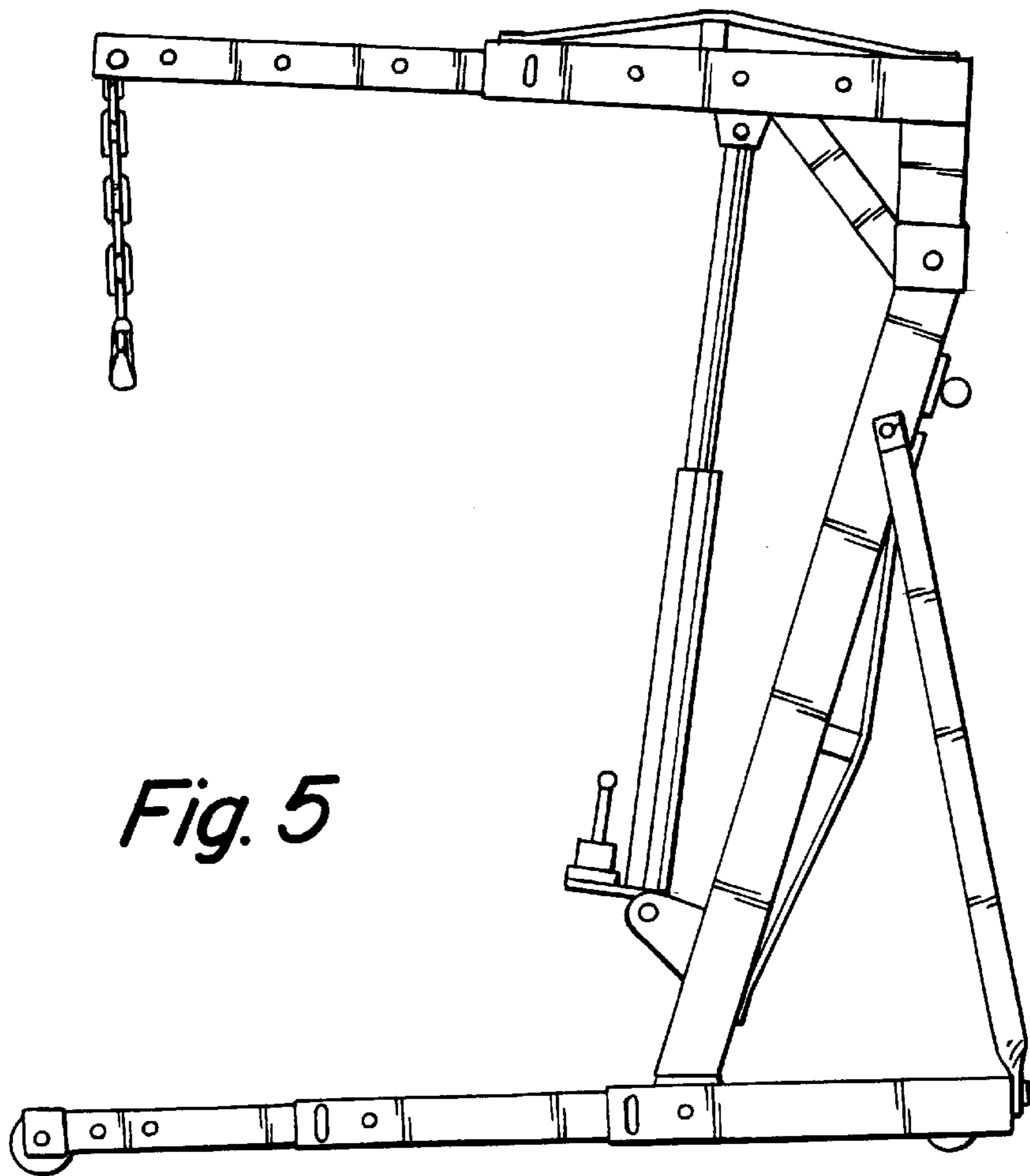
*Fig. 2*



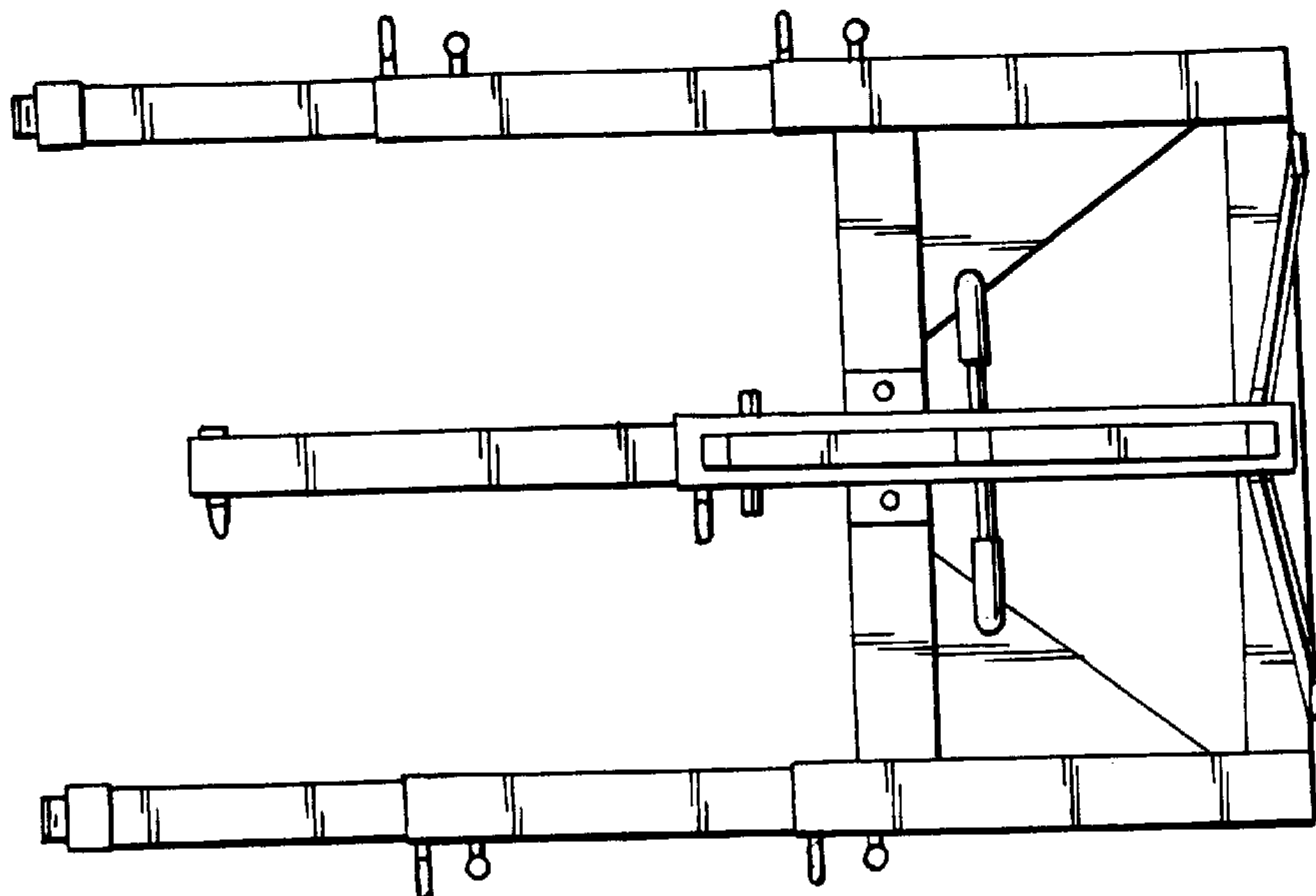
*Fig. 3*



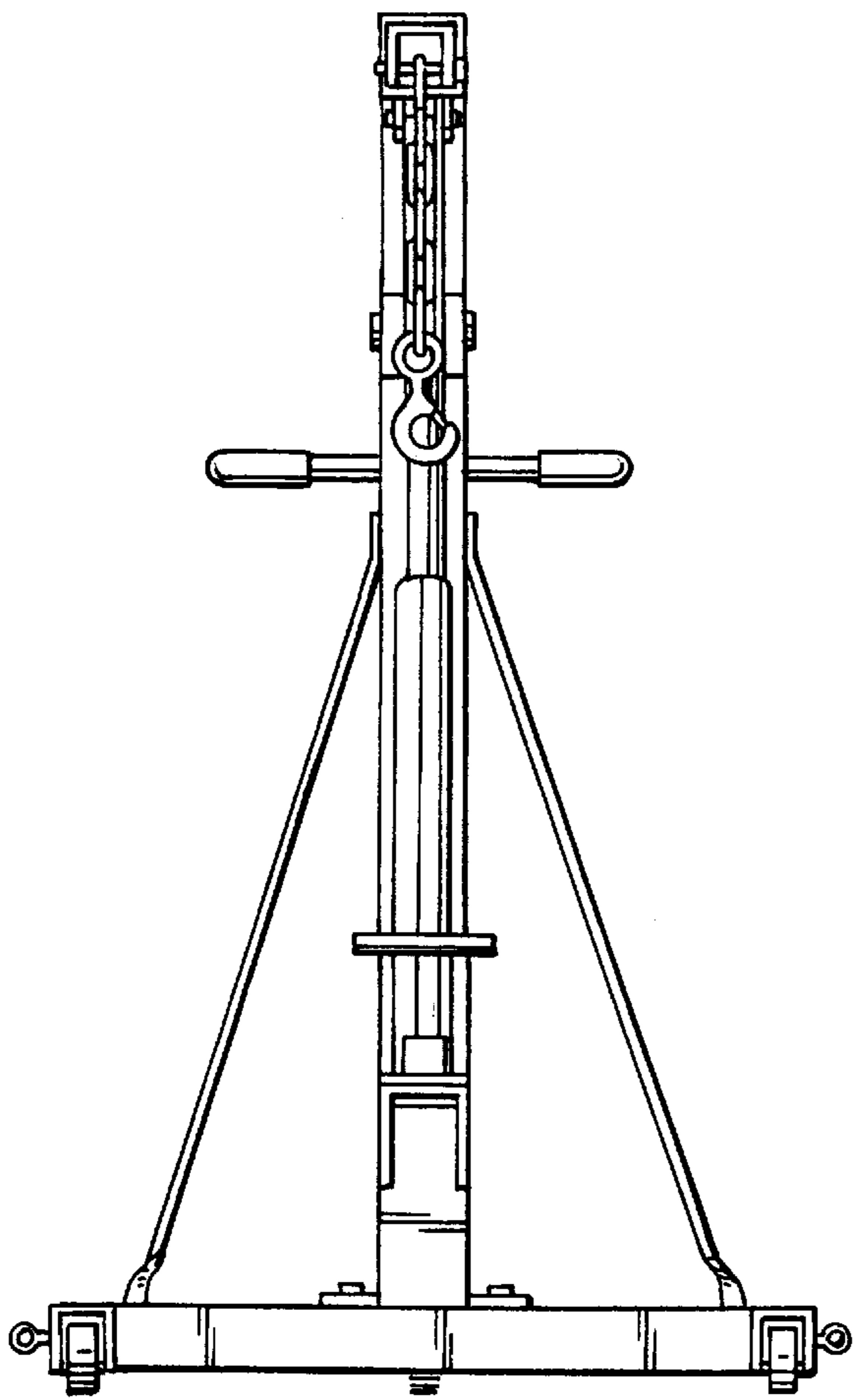
*Fig. 4*



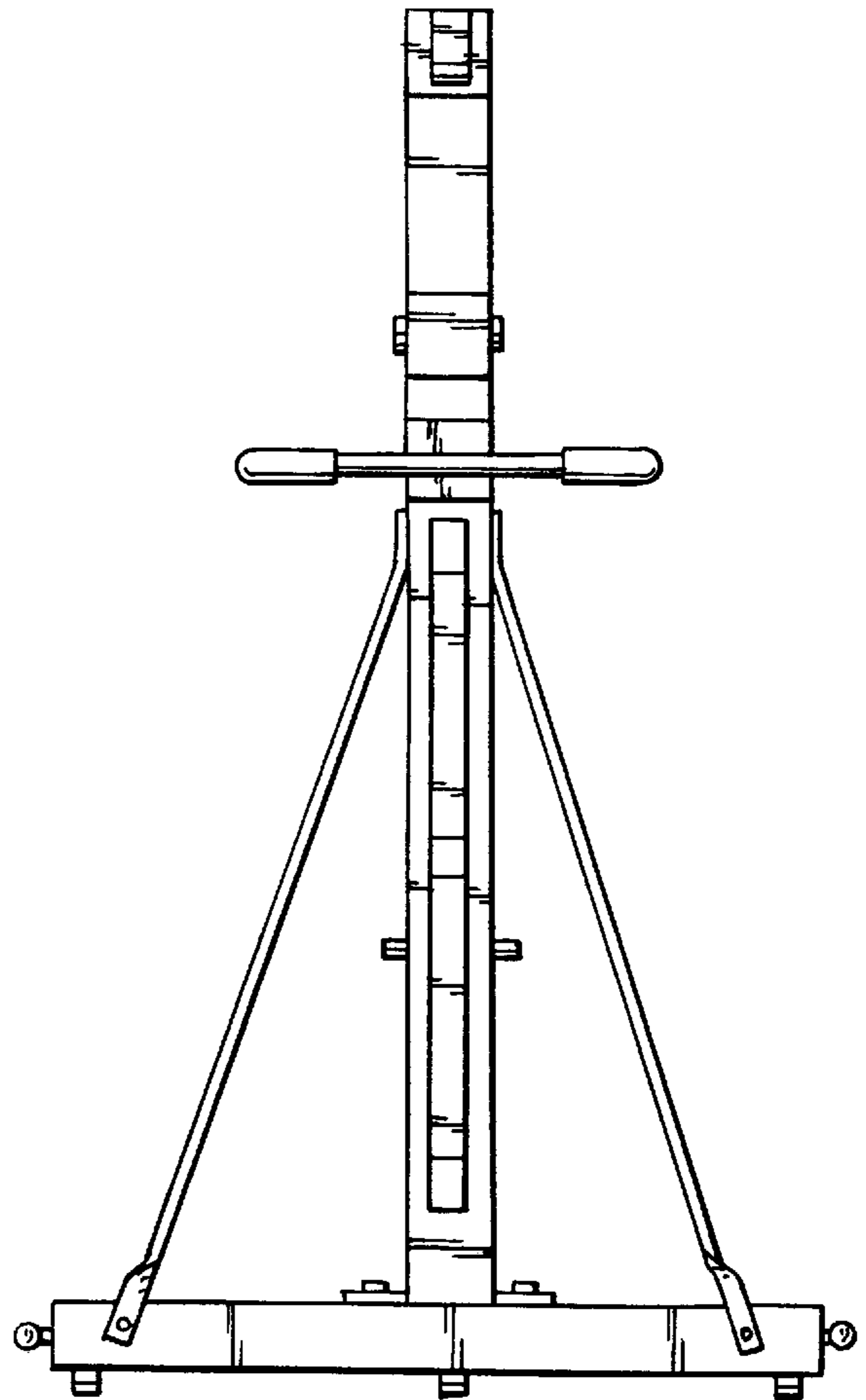
*Fig. 5*



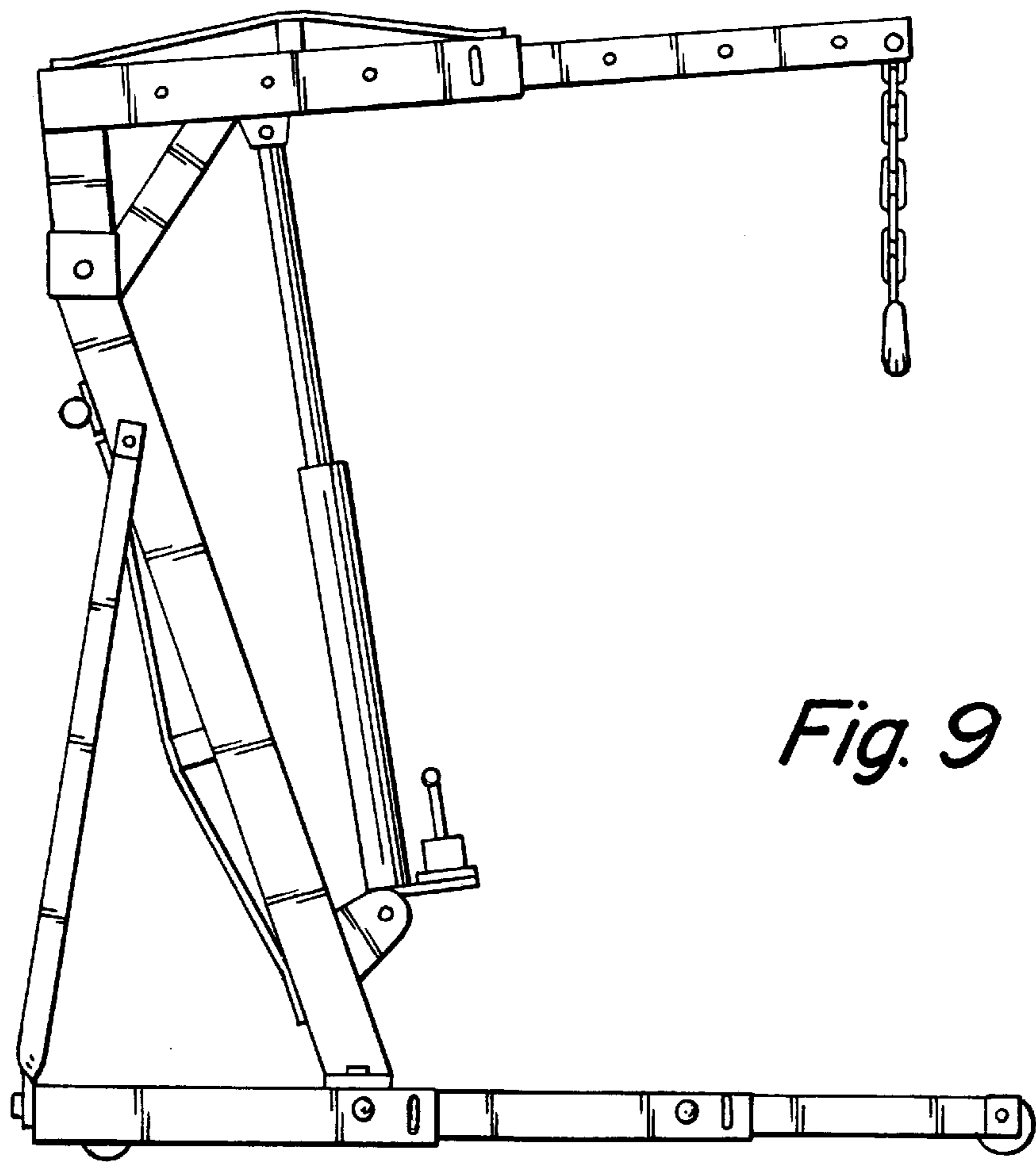
*Fig. 6*



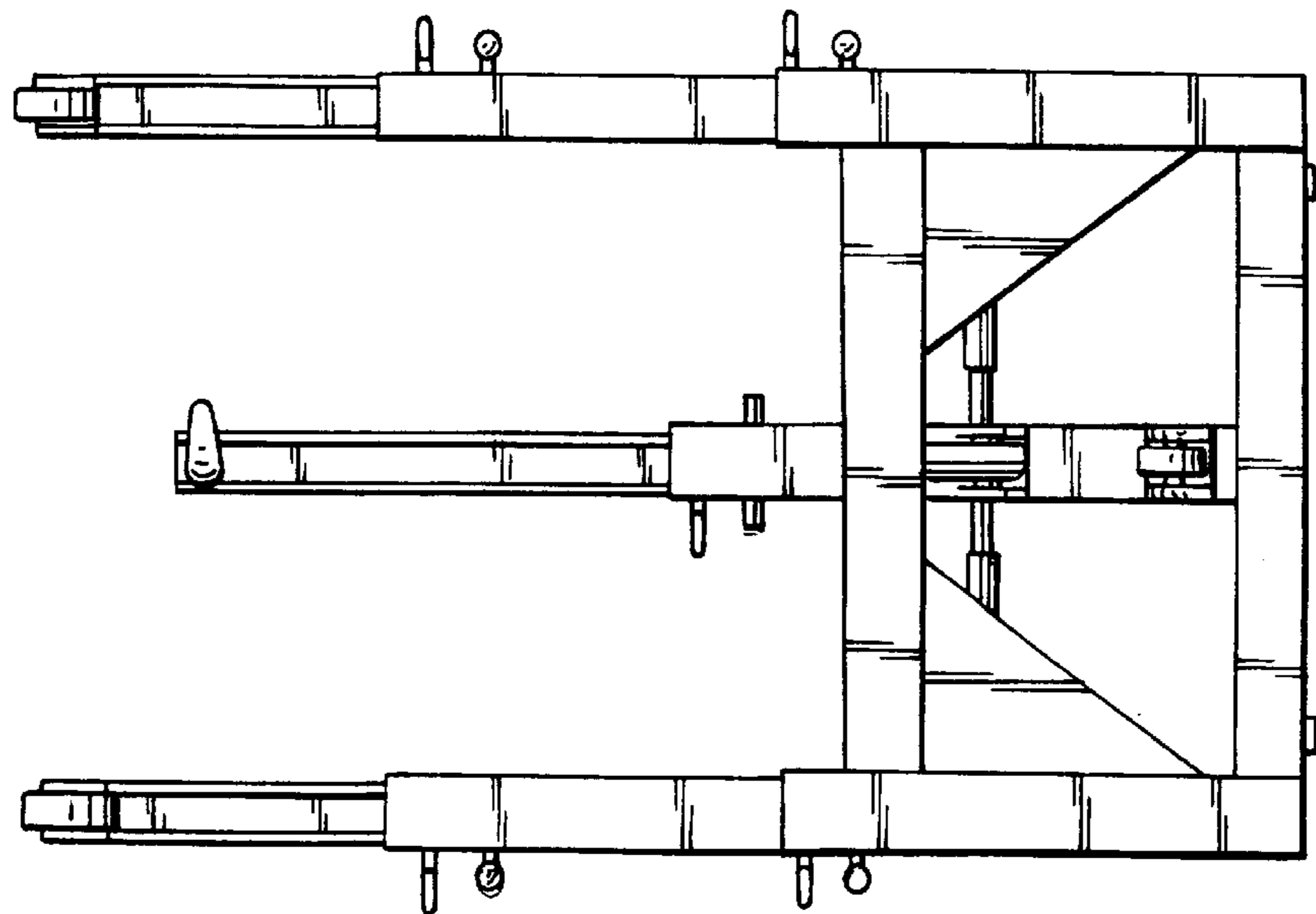
*Fig. 7*



*Fig. 8*



*Fig. 9*



*Fig. 10*