



US00D438683S

(12) **United States Design Patent**
Eltvedt

(10) **Patent No.:** **US D438,683 S**

(45) **Date of Patent:** **** Mar. 6, 2001**

(54) **BULK TRANSPORT RESIN BIN**

(76) Inventor: **Frank A. Eltvedt**, 1760 Kilkenny Ct.,
Woodstock, IL (US) 60098

(**) Term: **14 Years**

(21) Appl. No.: **29/113,127**

(22) Filed: **Oct. 29, 1999**

(51) **LOC (7) Cl.** **12-02**

(52) **U.S. Cl.** **D34/19; D34/28**

(58) **Field of Search** **D34/12-27, 28,**
D34/39; 198/313, 314, 311; 414/498, 523;
280/639, 641, 79.11, 79.3

(56) **References Cited**

U.S. PATENT DOCUMENTS

D. 343,489	*	1/1994	Friesen et al.	D34/28
3,953,047	*	4/1976	Morgan	280/639
4,571,143	*	2/1986	Hellerich	414/523
5,615,990	*	4/1997	Grieshop	414/526

* cited by examiner

Primary Examiner—Kay H. Chin

(74) *Attorney, Agent, or Firm*—Patnaude & Videbeck

(57) **CLAIM**

The ornamental design for a bulk transport resin bin, as shown and described.

DESCRIPTION

FIG. 1 is a front elevational view of the bulk transport resin bin showing my new design;

FIG. 2 is a left side elevational view thereof,

FIG. 3 is a rear elevational view thereof,

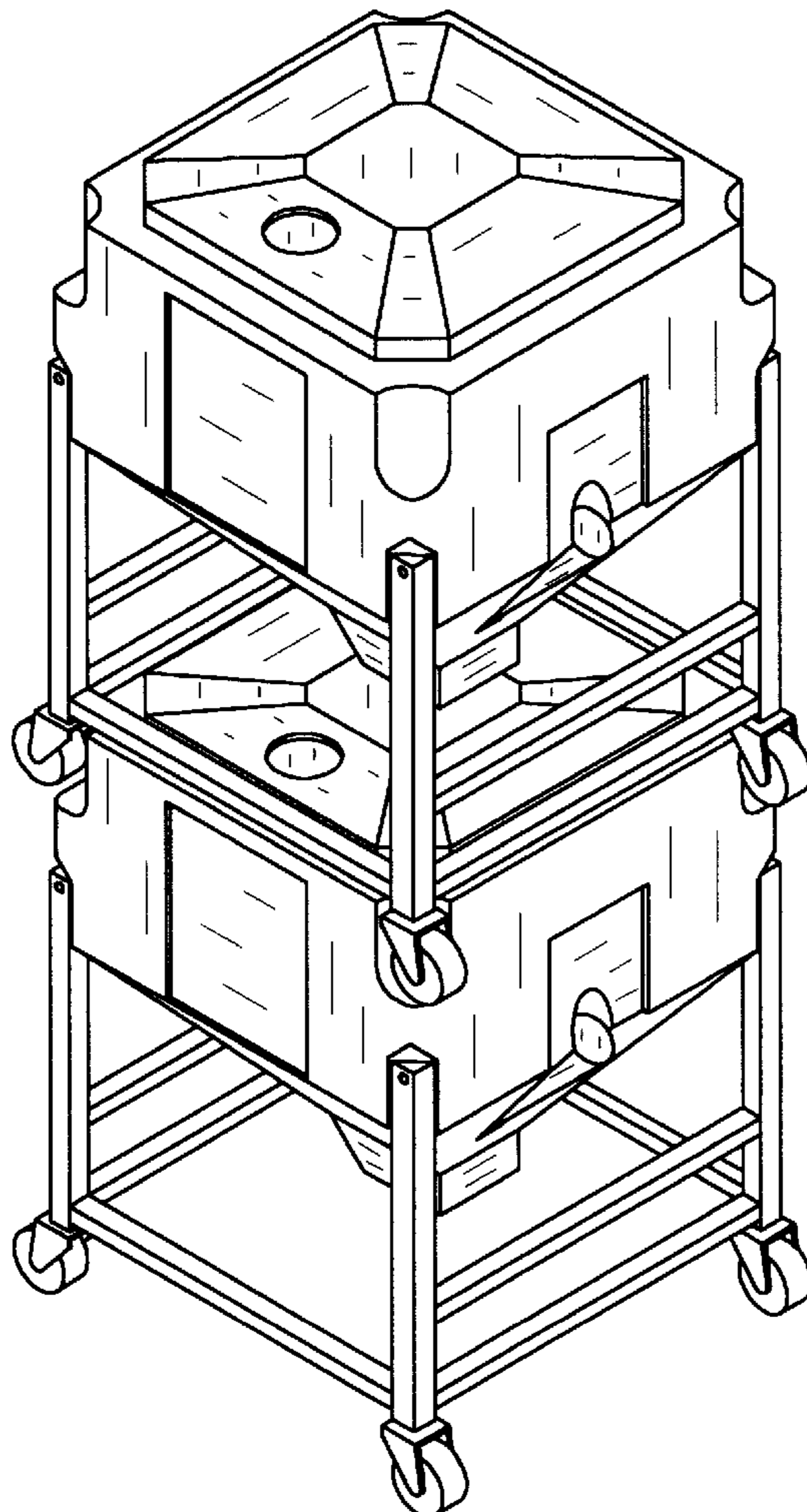
FIG. 4 is a right side elevational view thereof,

FIG. 5 is a top plan view thereof,

FIG. 6 is a bottom plan view thereof; and,

FIG. 7 is a front perspective view of a pair of bulk transport resin bins mounted in stacked vertical position with the top bin remaining mounted thereon.

1 Claim, 4 Drawing Sheets



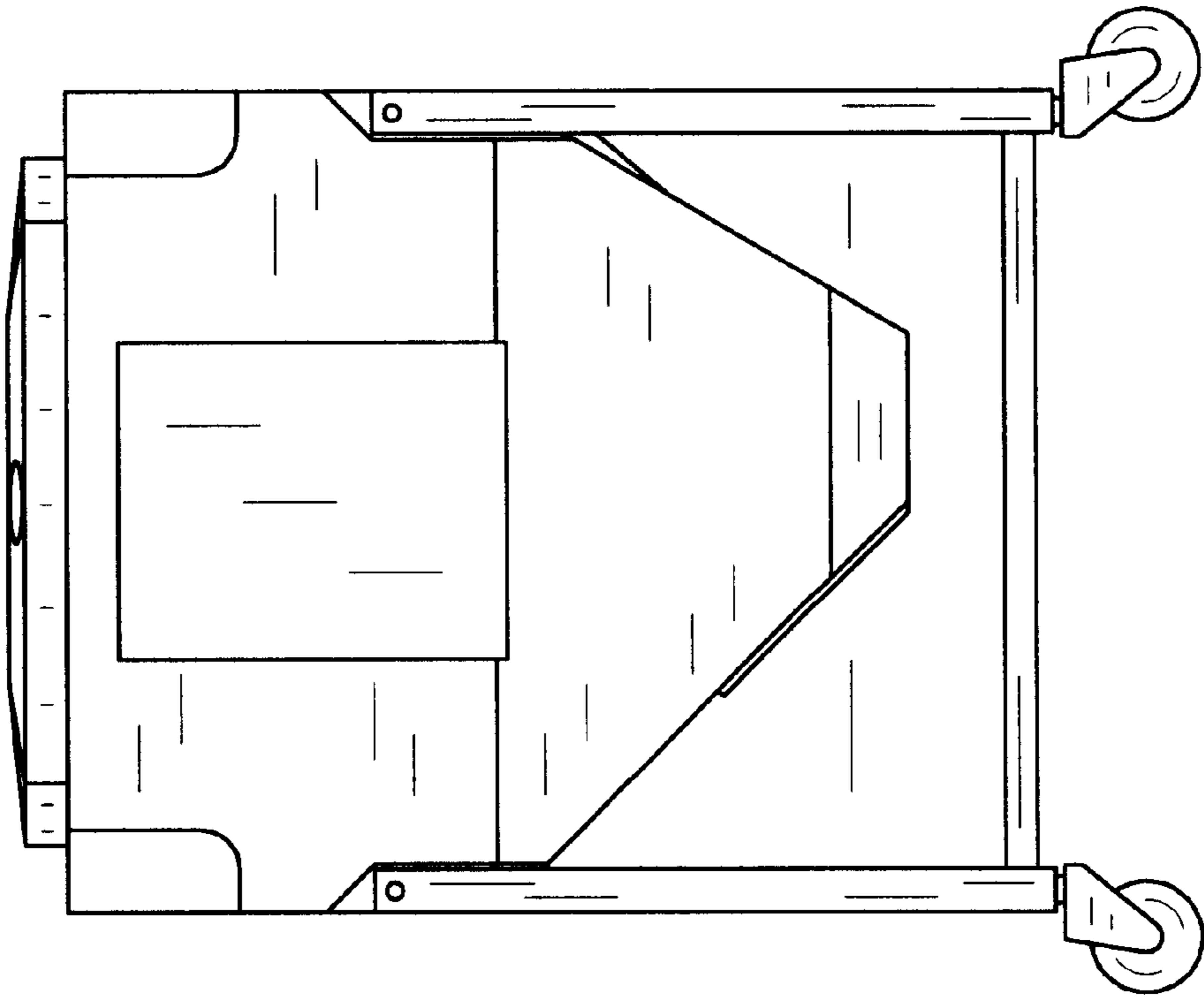


FIG. 2

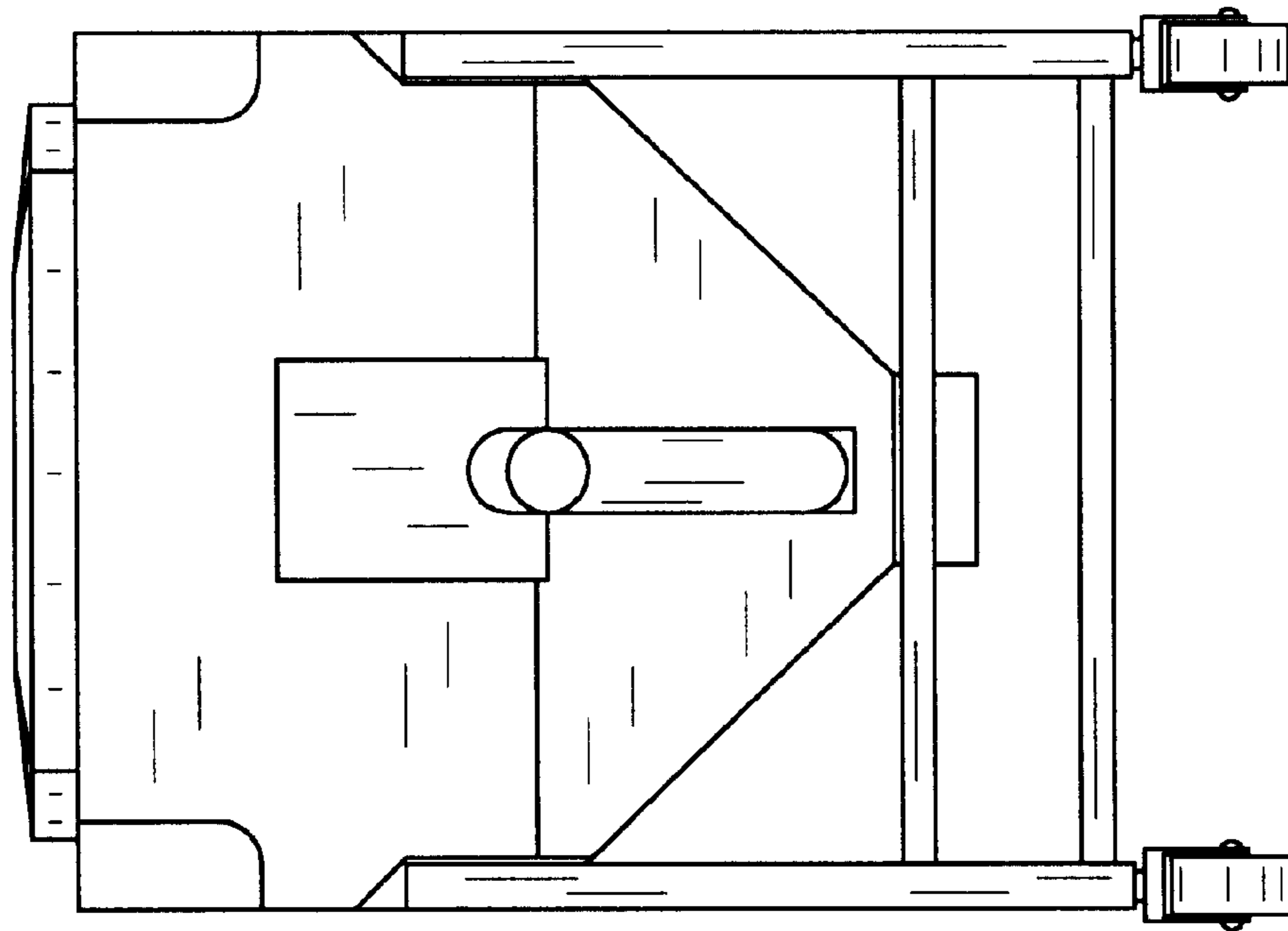


FIG. 1

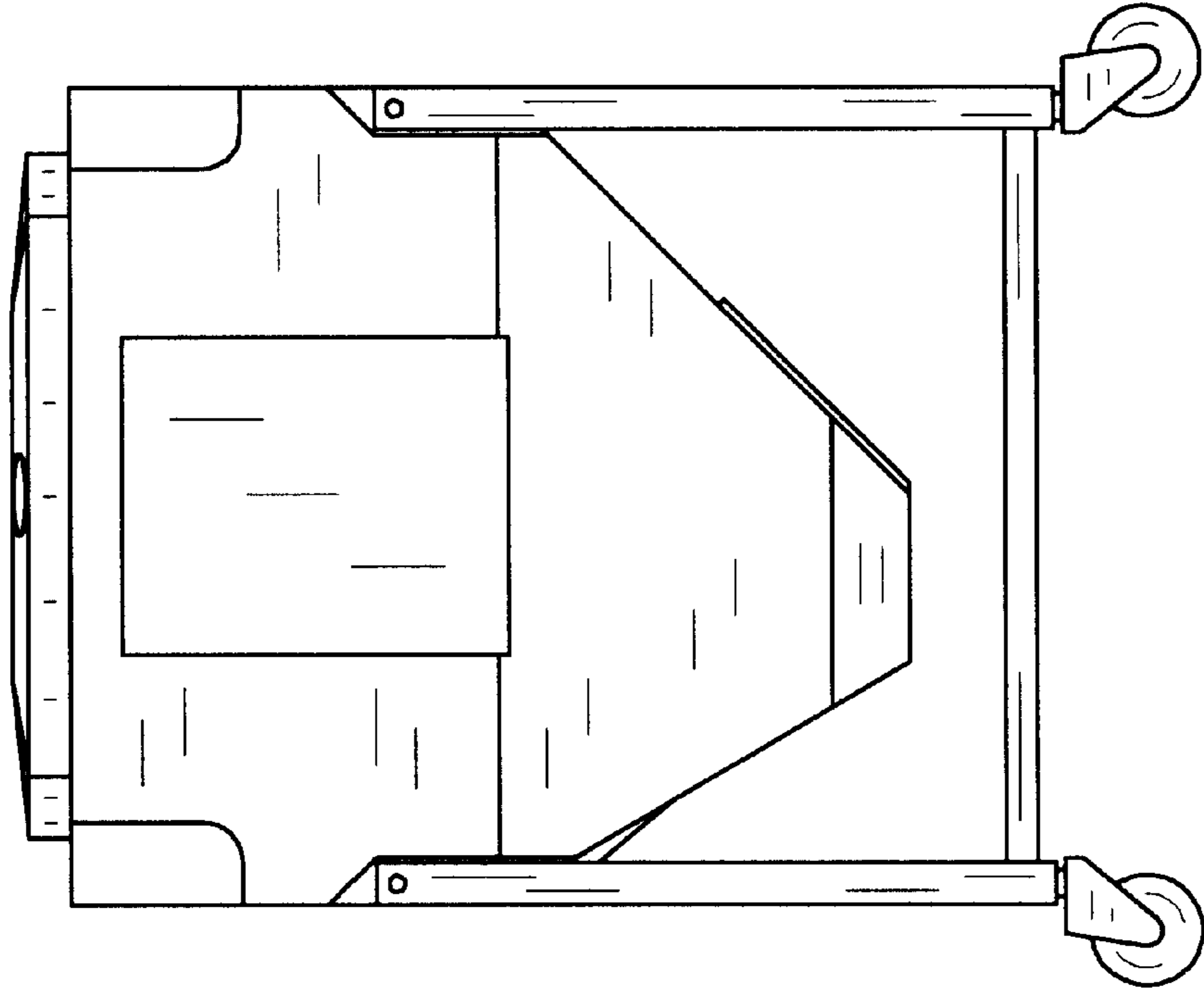


FIG. 3

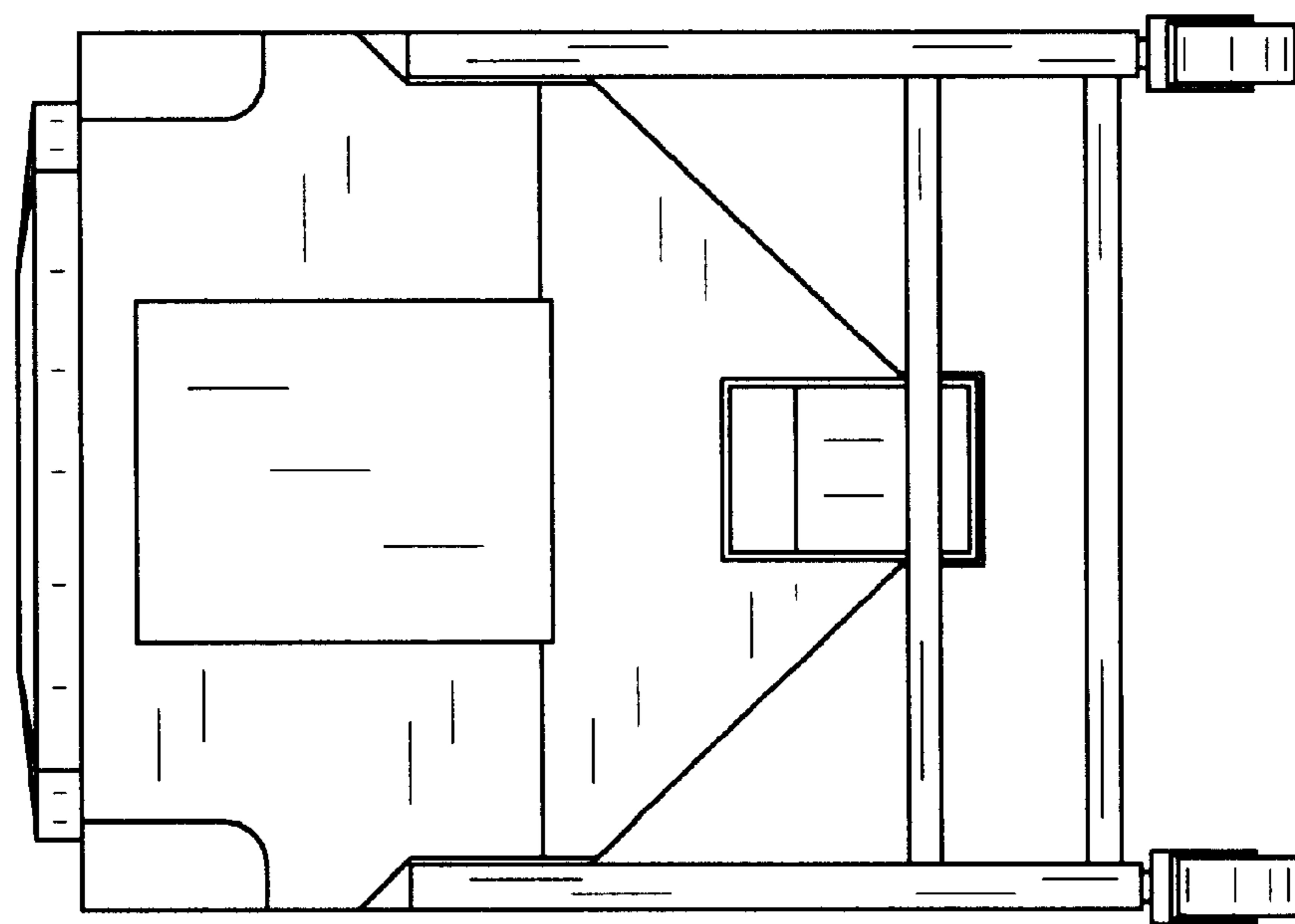


FIG. 4

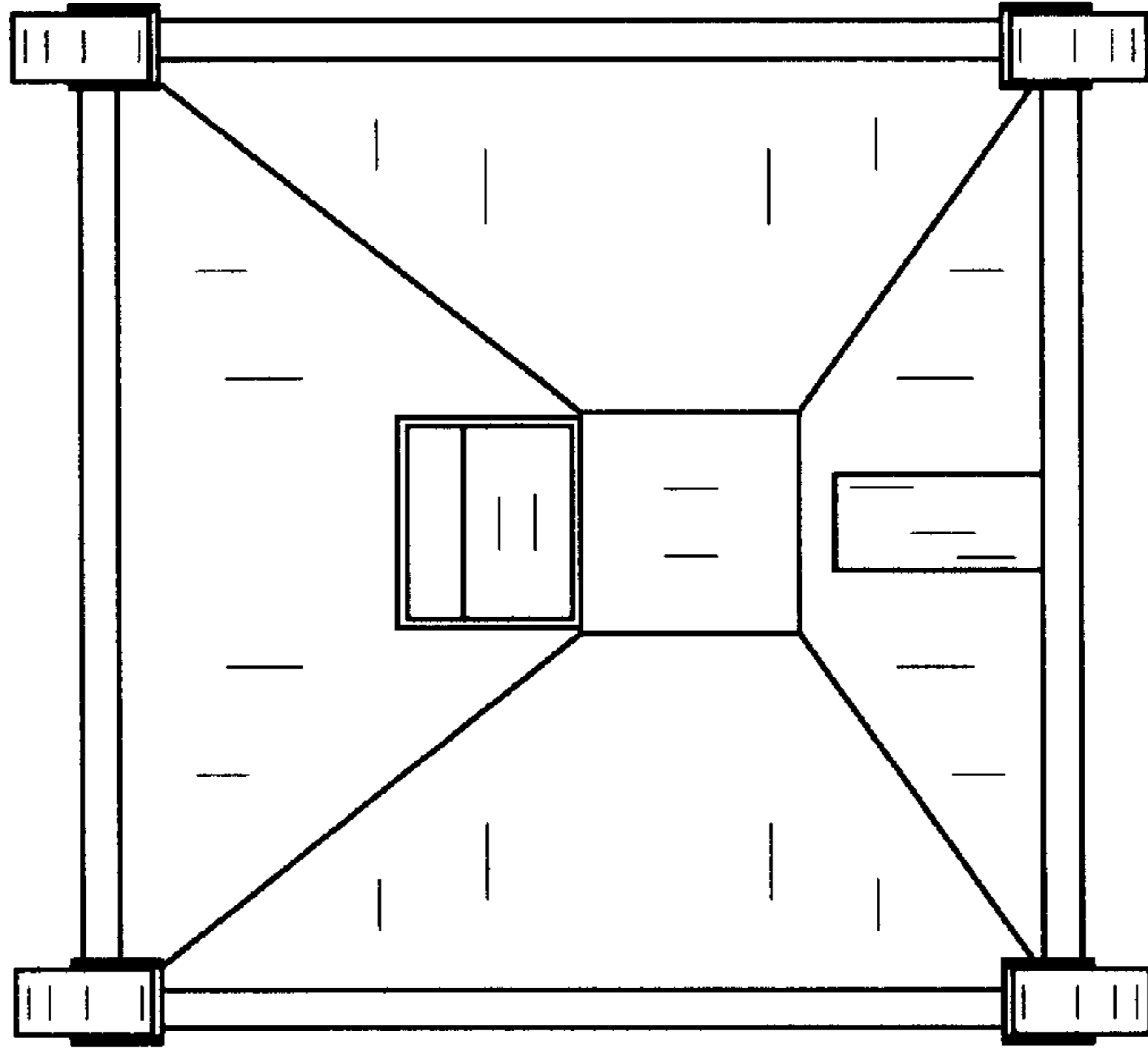


FIG. 6

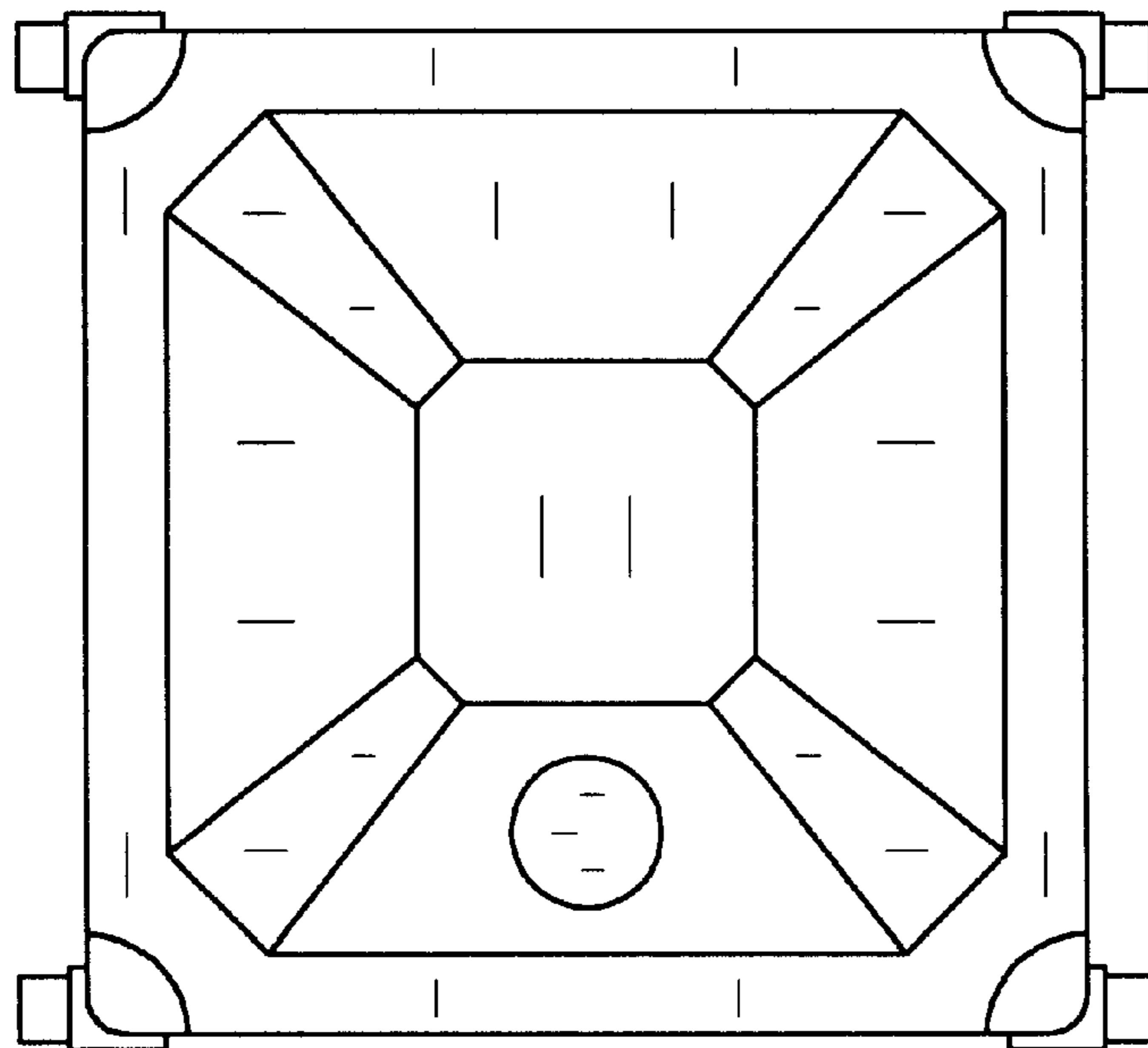


FIG. 5

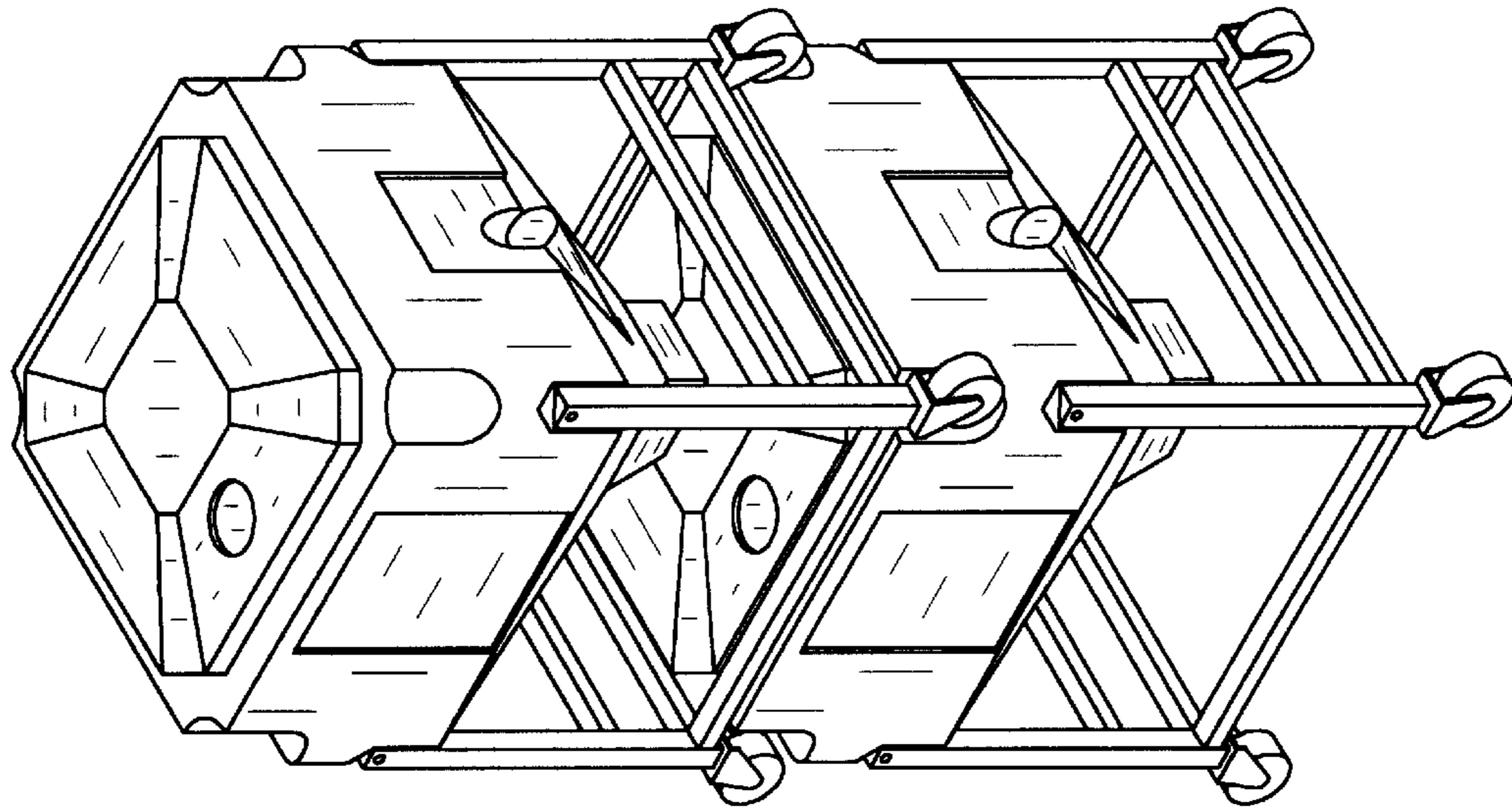


FIG. 7