



US00D438679S

(12) **United States Design Patent**  
**Embree et al.**

(10) **Patent No.:** **US D438,679 S**

(45) **Date of Patent:** **\*\* Mar. 6, 2001**

(54) **VACUUM CLEANER HEAD**

(75) Inventors: **Michael E. Embree**, Long Beach;  
**Terrance M. Roberts**, Diamondhead;  
**James F. McCain**, Pass Christian, all of  
MS (US)

(73) Assignee: **Oreck Holdings, LLC**, Cheyenne, WY  
(US)

(\*\*) Term: **14 Years**

(21) Appl. No.: **29/103,012**

(22) Filed: **Apr. 6, 1999**

(51) **LOC (7) Cl.** ..... **15-05**

(52) **U.S. Cl.** ..... **D32/31**

(58) **Field of Search** ..... D32/21, 22, 25,  
D32/31-33; 15/415.1-422.1, 321-322,  
412, 414, 400, 350, 354, 362, 364, 367,  
373

(56) **References Cited**

**U.S. PATENT DOCUMENTS**

D. 262,539	*	1/1982	Wareham	.....	D32/22
D. 307,069	*	4/1990	Kieft	.....	D32/22
D. 326,006	*	5/1992	Moine	.....	D32/32
D. 329,512	*	9/1992	McKnight et al.	.....	D32/32
D. 338,990	*	8/1993	McKnight	.....	D32/32
D. 346,052	*	4/1994	Saunders et al.	.....	D32/22
D. 375,821	*	11/1996	Roberts et al.	.....	D32/31
D. 379,695	*	6/1997	Africa	.....	D32/33

D. 408,600	*	4/1999	Thur et al.	.....	D32/22
D. 411,669	*	6/1999	Wareham	.....	D32/32
D. 417,533	*	12/1999	Burchard et al.	.....	D32/22
3,755,993		9/1973	Cote	.....	55/370
4,116,648		9/1978	Busch	.....	55/276
4,354,541		10/1982	Tilman	.....	150/3
4,948,639		8/1990	Brooker et al.	.....	428/35.2
5,016,315		5/1991	Bledsoe et al.	.....	15/410
5,090,975		2/1992	Requejo et al.	.....	55/97
5,181,946		1/1993	Bosses et al.	.....	55/381

\* cited by examiner

*Primary Examiner*—Ruth McInroy

(74) *Attorney, Agent, or Firm*—Dorsey & Whitney LLP

(57) **CLAIM**

The ornamental design for a vacuum cleaner head, as shown and described.

**DESCRIPTION**

FIG. 1 is a front perspective view of a vacuum cleaner head showing our new design;

FIG. 2 is a right side elevational view thereof;

FIG. 3 is a left side elevational view thereof;

FIG. 4 is a front elevational view thereof;

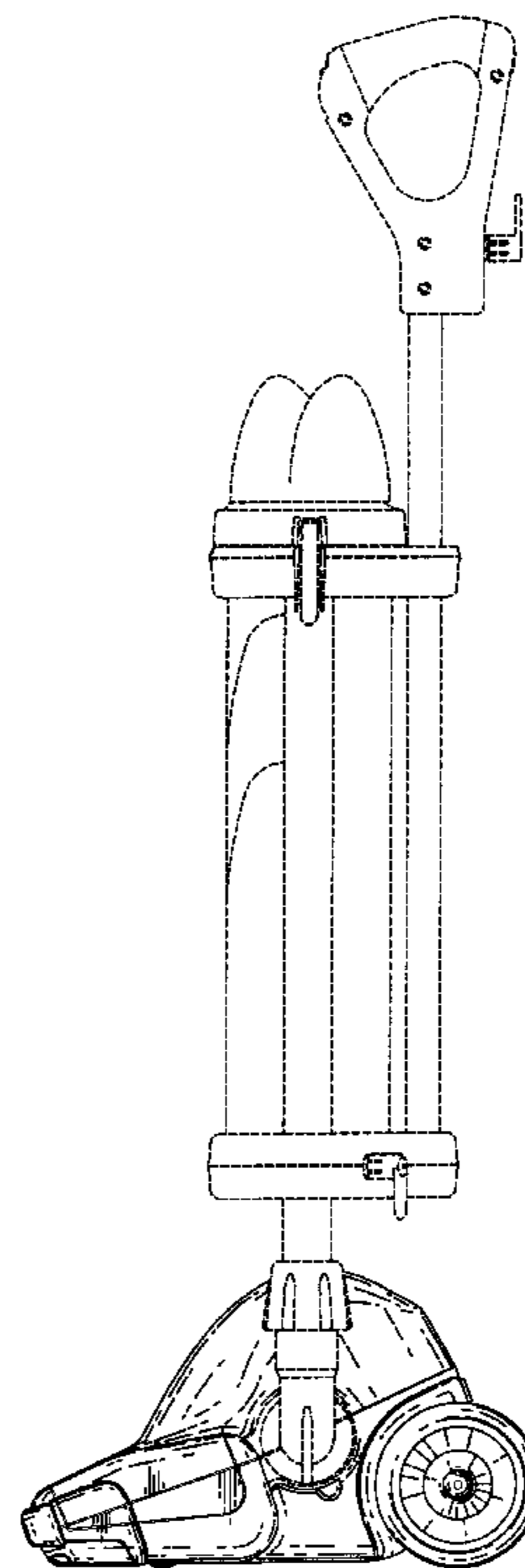
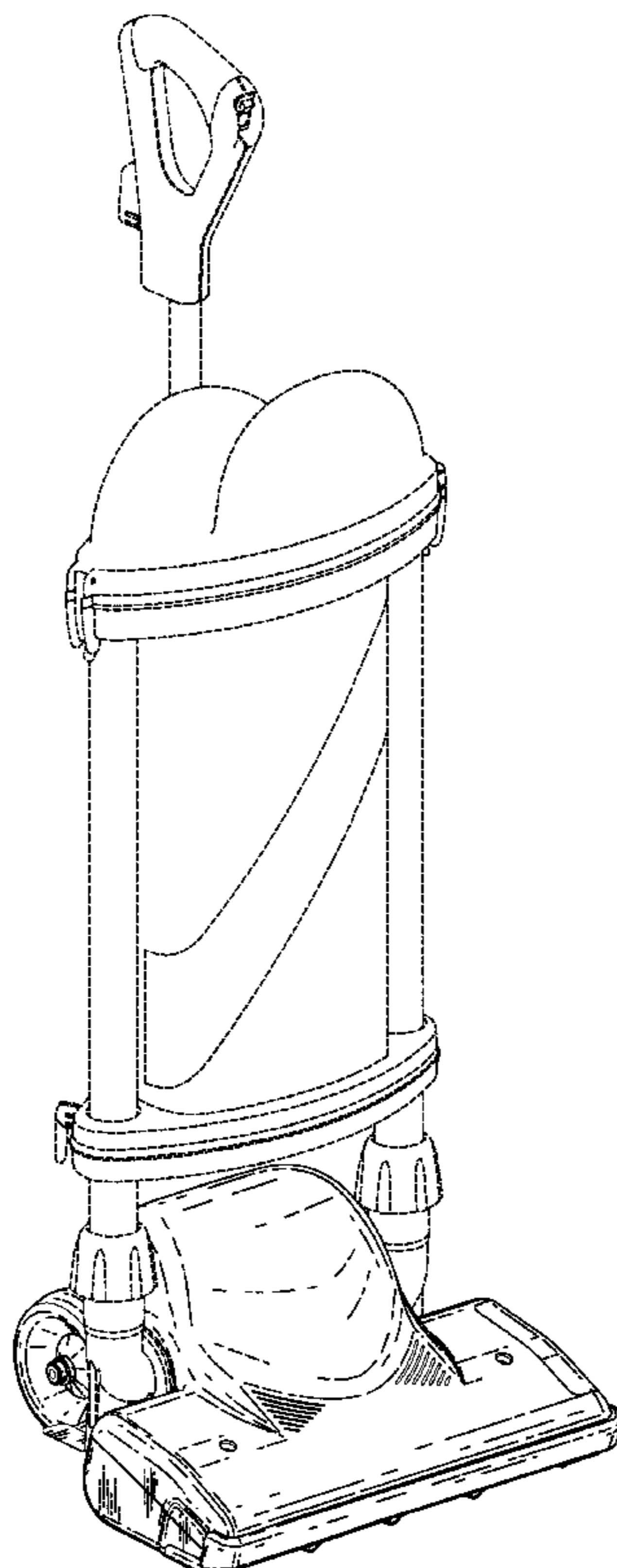
FIG. 5 is a rear elevational view thereof;

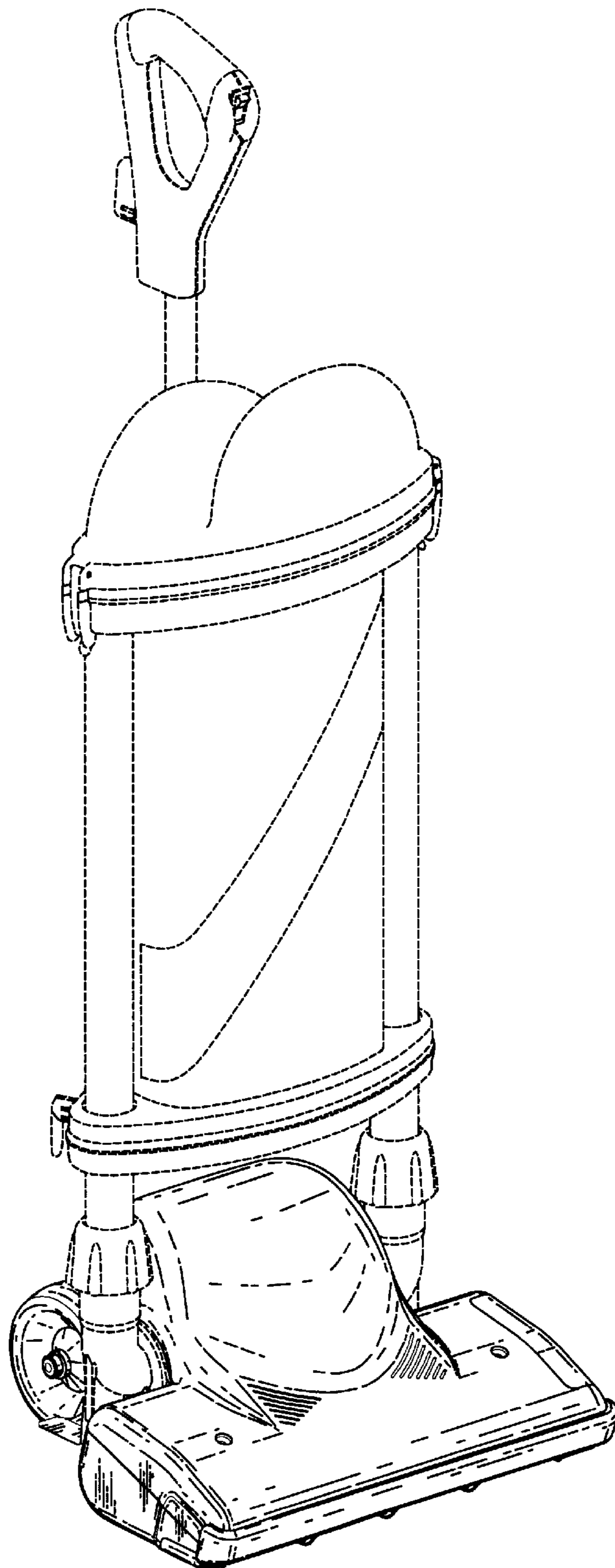
FIG. 6 is a top plan view thereof; and,

FIG. 7 is a bottom plan view thereof.

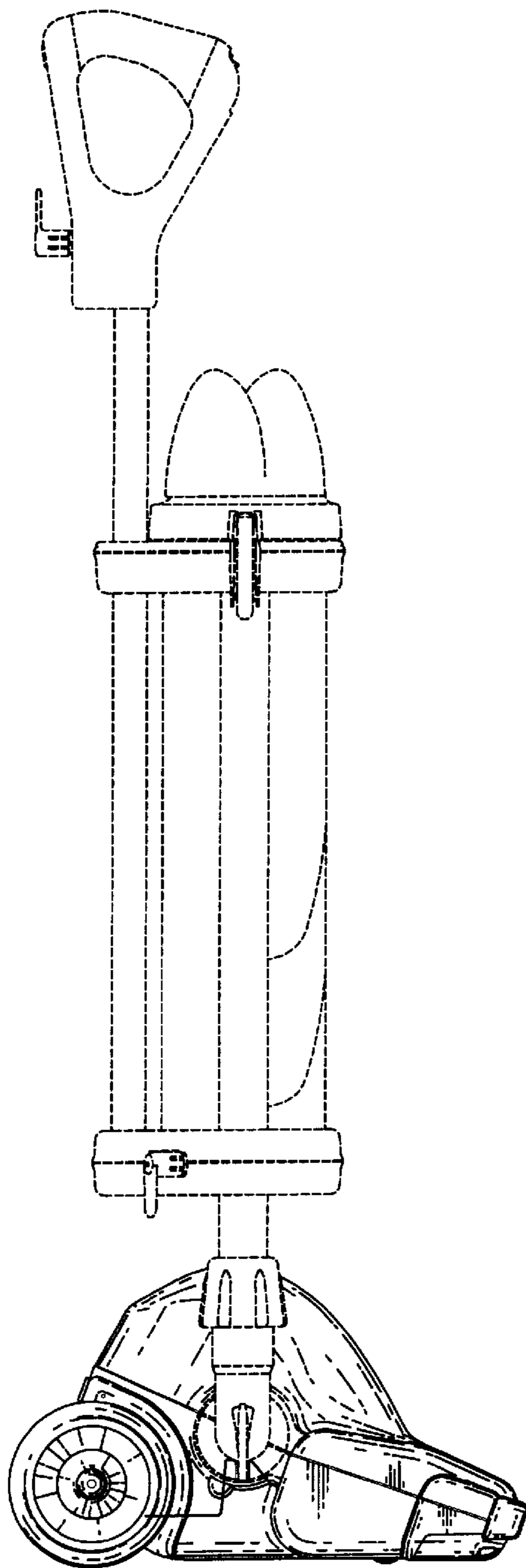
The portion of the vacuum cleaner shown in broken lines in all views is for illustrative purposes only and forms no part of the claimed design.

**1 Claim, 4 Drawing Sheets**

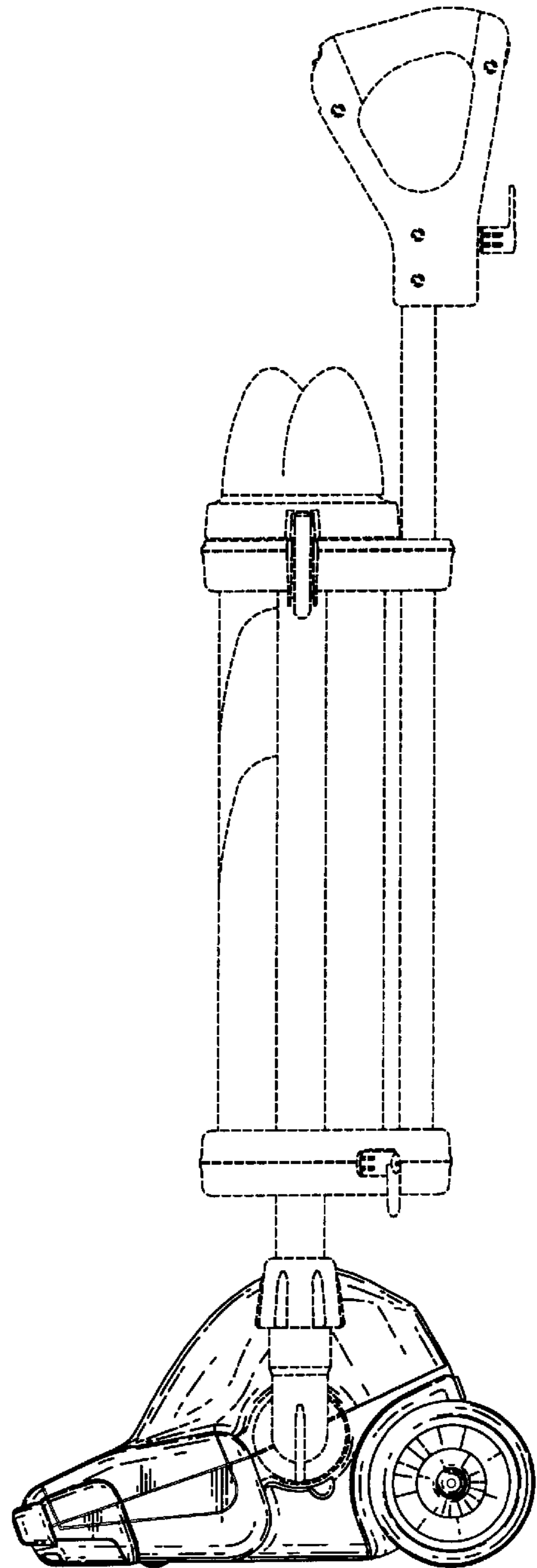




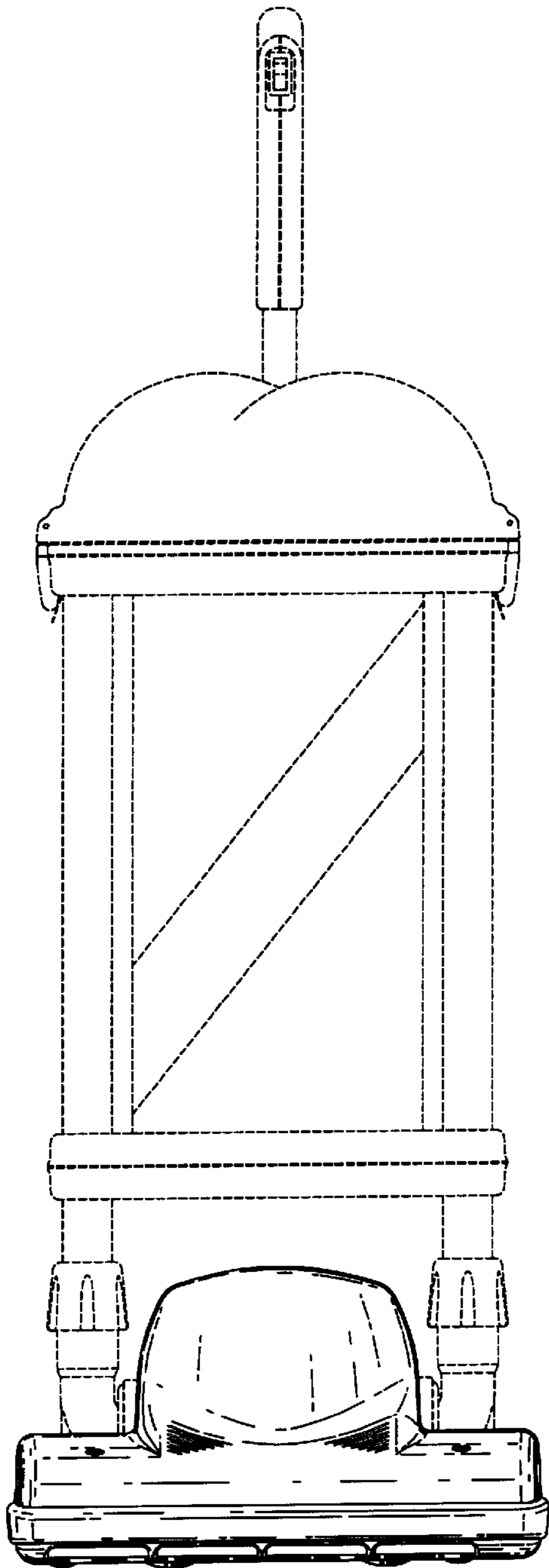
*Fig. 1*



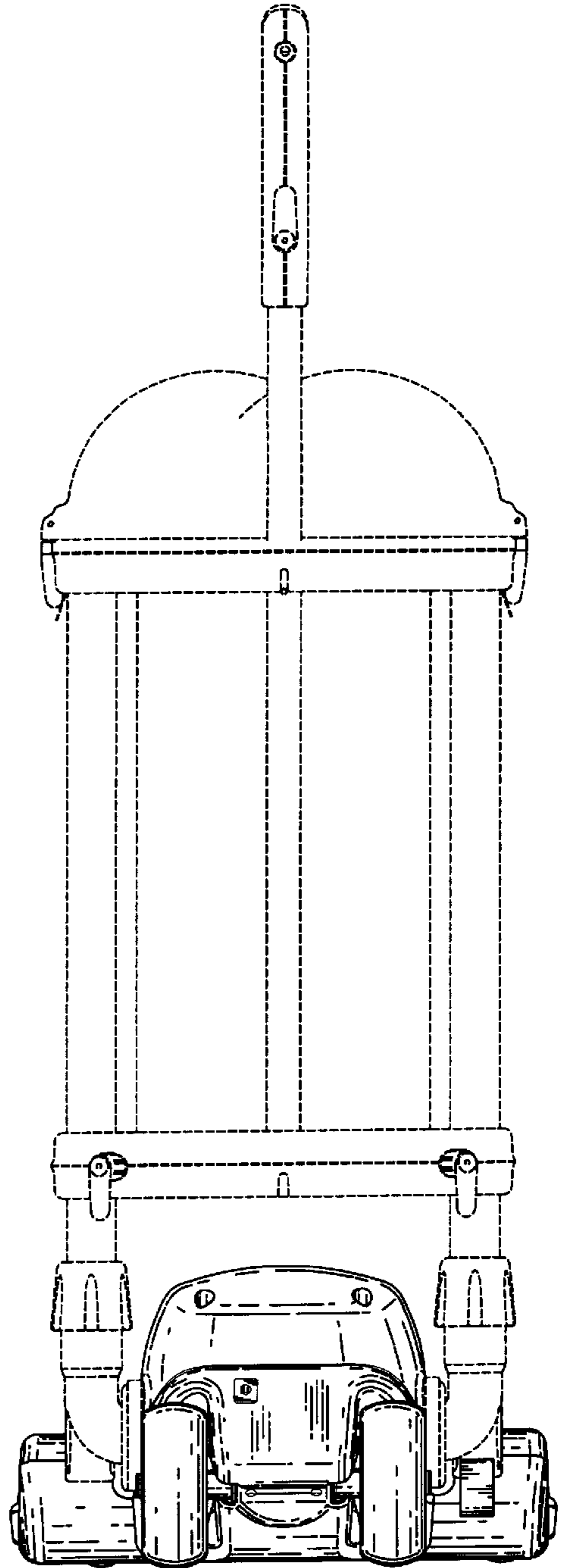
*Fig. 2*



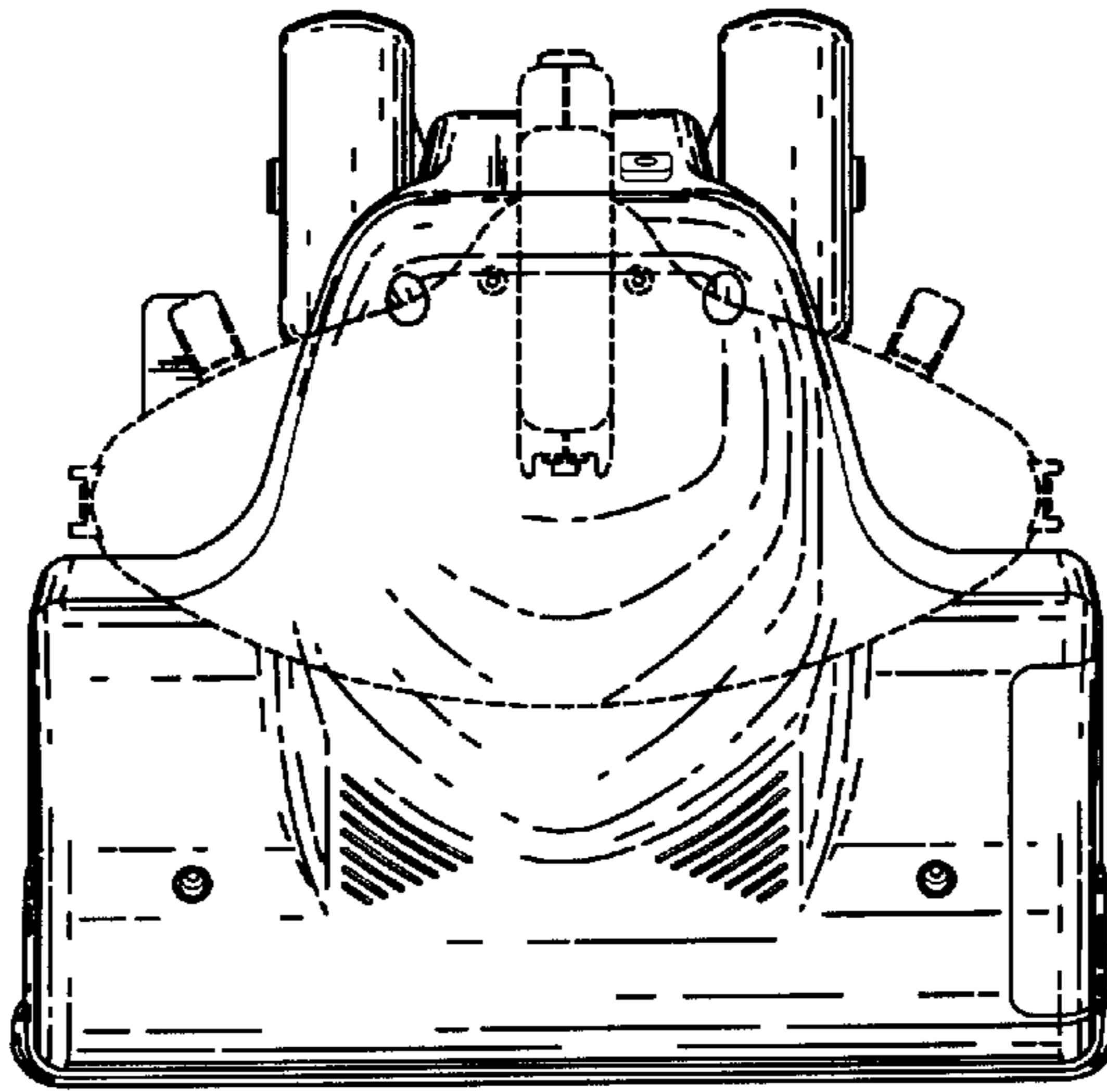
*Fig. 3*



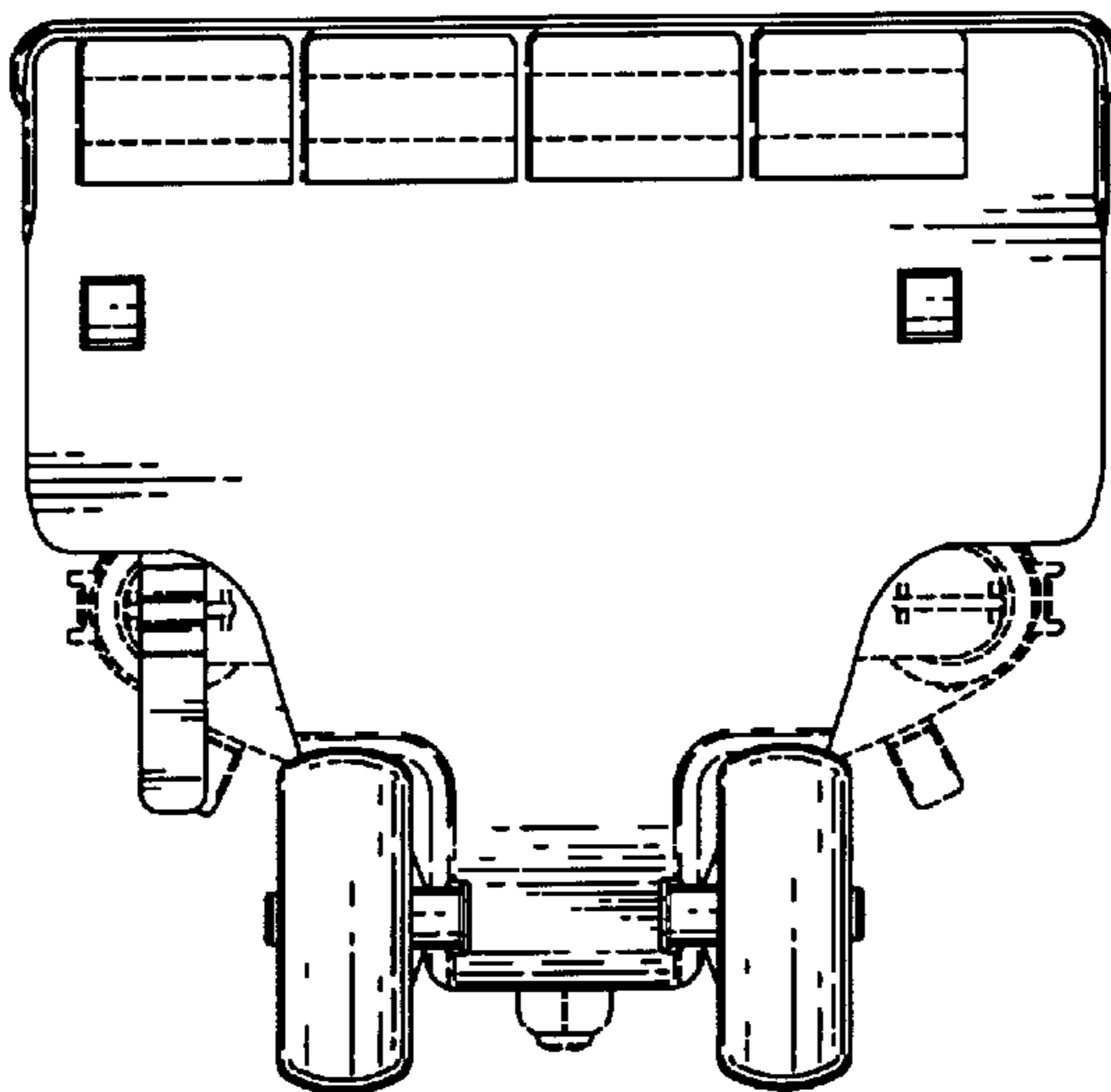
*Fig. 4*



*Fig. 5*



*Fig. 6*



*Fig. 7*