



US00D438676S

(12) **United States Design Patent** (10) **Patent No.:** **US D438,676 S**  
**Sartena** (45) **Date of Patent:** **\*\* \*Mar. 6, 2001**

(54) **HAIR ADORNMENT**

(75) Inventor: **Stacey Eve Sartena**, Great Neck, NY (US)

(73) Assignee: **Hair Blast, Inc.**, Great Neck, NY (US)

(\* ) Notice: This patent is subject to a terminal disclaimer.

(\*\*) Term: **14 Years**

(21) Appl. No.: **29/128,519**

(22) Filed: **Aug. 25, 2000**

(51) **LOC (7) Cl.** ..... **28-04**

(52) **U.S. Cl.** ..... **D28/92**

(58) **Field of Search** ..... D28/25, 29, 38, D28/39, 40, 41, 42, 43, 92; 132/273, 274, 275, 276, 277, 278, 279, 53, 54, 55, 56; 87/8, 9

(56) **References Cited**

**U.S. PATENT DOCUMENTS**

250,967 12/1881 Presser .  
D. 261,181 10/1981 Sands .

(List continued on next page.)

**FOREIGN PATENT DOCUMENTS**

126305 6/1921 (CH) .  
135892 12/1924 (CH) .

(List continued on next page.)

**OTHER PUBLICATIONS**

Hong Kong Enterprise p. 1139 #271.  
Hong Kong Enterprise p. 1121 #B454M

(List continued on next page.)

*Primary Examiner*—Paula A. Mortimer

(74) *Attorney, Agent, or Firm*—Schweitzer Cornman Gross & Bondell LLP

(57) **CLAIM**

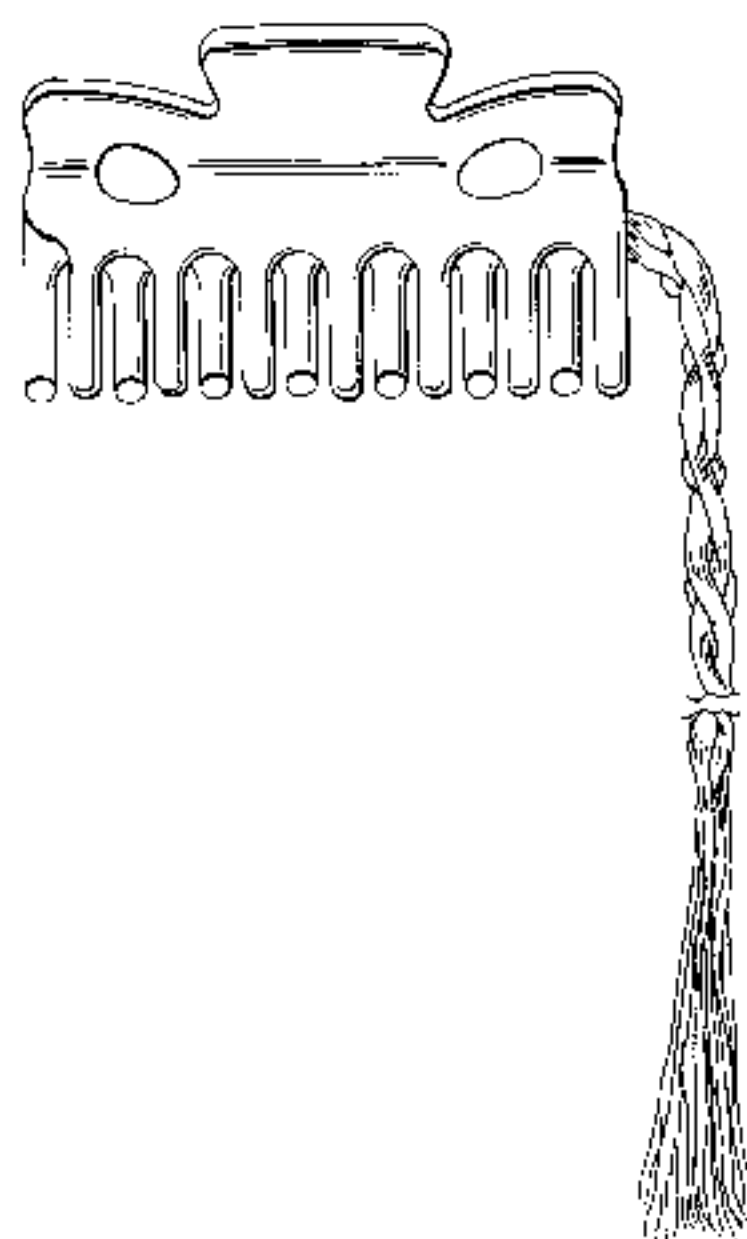
The ornamental design for a hair adornment, as shown and described.

**DESCRIPTION**

FIG. 1 is an enlarged front elevation view of a hair adornment showing my new design, the braid is drawn broken away for ease of illustration;  
FIG. 2 is a right side elevation view thereof;  
FIG. 3 is a left side elevation view thereof;  
FIG. 4 is a top plan view thereof;

FIG. 5 is a bottom plan view thereof;  
FIG. 6 is an enlarged front elevation of a second embodiment of a hair adornment showing my new design, the braid is drawn broken away for ease of illustration;  
FIG. 7 is a front elevation view thereof;  
FIG. 8 is a right side elevation view thereof;  
FIG. 9 is a rear elevation view thereof;  
FIG. 10 is a top plan view thereof;  
FIG. 11 is a bottom plan view thereof;  
FIG. 12 is an enlarged front elevation view of a third embodiment of a hair adornment showing my new design, the braid is drawn broken away for ease of illustration;  
FIG. 13 is a rear elevation view thereof;  
FIG. 14 is a top plan view thereof;  
FIG. 15 is a bottom plan view thereof;  
FIG. 16 is an enlarged front elevation view of a fourth embodiment of a hair adornment showing my new design, the braid is drawn broken away for ease of illustration;  
FIG. 17 is a rear elevation view thereof;  
FIG. 18 is a top plan view thereof;  
FIG. 19 is a bottom plan view thereof;  
FIG. 20 is an enlarged front elevation view of a fifth embodiment of a hair adornment showing my new design, the braid is drawn broken away for ease of illustration;  
FIG. 21 is a rear elevation view thereof;  
FIG. 22 is a top plan view thereof;  
FIG. 23 is a bottom plan view thereof, the right side elevation view thereof being identical to the view set forth in FIG. 8, the left side view being a mirror image thereof;  
FIG. 24 is an enlarged front elevation view of a hair adornment showing my new design, the braid is drawn broken away for ease of illustration;  
FIG. 25 is a rear elevation view thereof;  
FIG. 26 is a top plan view thereof;  
FIG. 27 is a bottom plan view thereof;  
FIG. 28 is an enlarged front elevation view of a sixth embodiment of a hair adornment showing my new design, the braid is drawn broken away for ease of illustration;  
FIG. 29 is a rear elevation view thereof;  
FIG. 30 is a top plan view thereof;  
FIG. 31 is a bottom plan view thereof;  
FIG. 32 is a front elevation view of a first embodiment of the hair adornment;  
FIG. 33 is a front elevation view of a second embodiment of the hair adornment;  
FIG. 34 is a front elevation view of a third embodiment of the hair adornment;  
FIG. 35 is a front elevation view of a fourth embodiment of the hair adornment;  
FIG. 36 is a front elevation view of a fifth embodiment of the hair adornment;  
FIG. 37 is a front elevation view of a sixth embodiment of the hair adornment; and,  
FIG. 38 is a front elevation view of a seventh embodiment of the hair adornment.

**1 Claim, 33 Drawing Sheets**



U.S. PATENT DOCUMENTS

296,127 \* 4/1884 Burnett ..... 87/9 X  
 D. 335,390 5/1993 Yim .  
 D. 356,398 3/1995 Hafid .  
 D. 381,119 7/1997 Chang .  
 D. 381,767 7/1997 Chang .  
 D. 384,786 10/1997 LaFauci .  
 D. 403,109 12/1998 Potut .  
 D. 410,302 5/1999 Yasuda .  
 D. 414,583 9/1999 Yasuda .  
 D. 430,360 \* 8/2000 Sartena ..... D28/92  
 566,779 9/1896 Liebreich .  
 731,575 6/1903 Johnston .  
 768,658 8/1904 Dongille .  
 794,479 7/1905 Austin .  
 1,346,718 7/1920 Muller .  
 1,526,440 2/1925 Skaruda .  
 1,594,741 8/1926 Lewis .  
 1,714,358 5/1929 Finkelstein .  
 2,082,828 \* 6/1937 Garris ..... 87/8  
 2,620,809 12/1952 Rosen .  
 2,651,310 9/1953 Selson .  
 2,849,007 8/1958 Behr .  
 3,059,518 \* 10/1962 Nelson ..... 87/8 X  
 3,280,826 10/1966 Jenkins .  
 3,659,622 5/1972 Meerson .  
 4,254,783 3/1981 Kim .

4,998,186 3/1991 Cocca .  
 5,441,061 8/1995 Jordan et al. .  
 5,501,239 3/1996 Walker .  
 5,549,127 8/1996 Chang .  
 5,732,720 3/1998 Sears .  
 5,803,096 9/1998 Lee .  
 5,826,593 10/1998 Haubrich .  
 5,873,377 2/1999 Yang .  
 5,890,498 4/1999 Kawaguchi .  
 5,947,129 9/1999 Bradshaw .  
 6,047,708 4/2000 Panel et al. .

FOREIGN PATENT DOCUMENTS

362668 8/1962 (CH) .  
 6823 7/1904 (DK) .  
 421964 10/1910 (FR) .  
 460804 10/1912 (FR) .  
 540368 1/1921 (FR) .  
 22134 of 1877 (GB) .

OTHER PUBLICATIONS

Henry Margu, front page, left wig with braids.  
 Hong Kong Enterprise, Tech Ring Limited, #HET6, page unknown.

\* cited by examiner

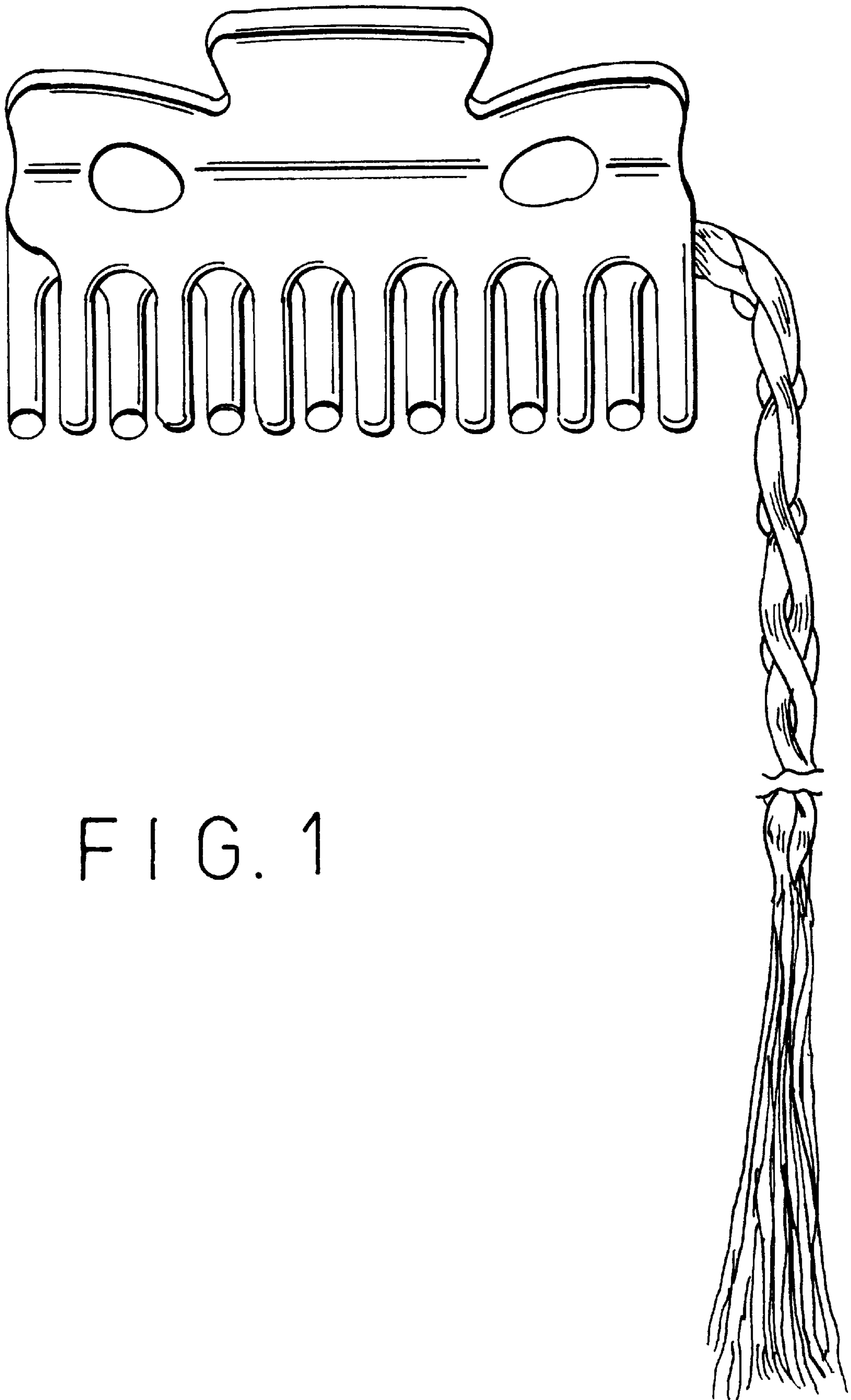


FIG. 1

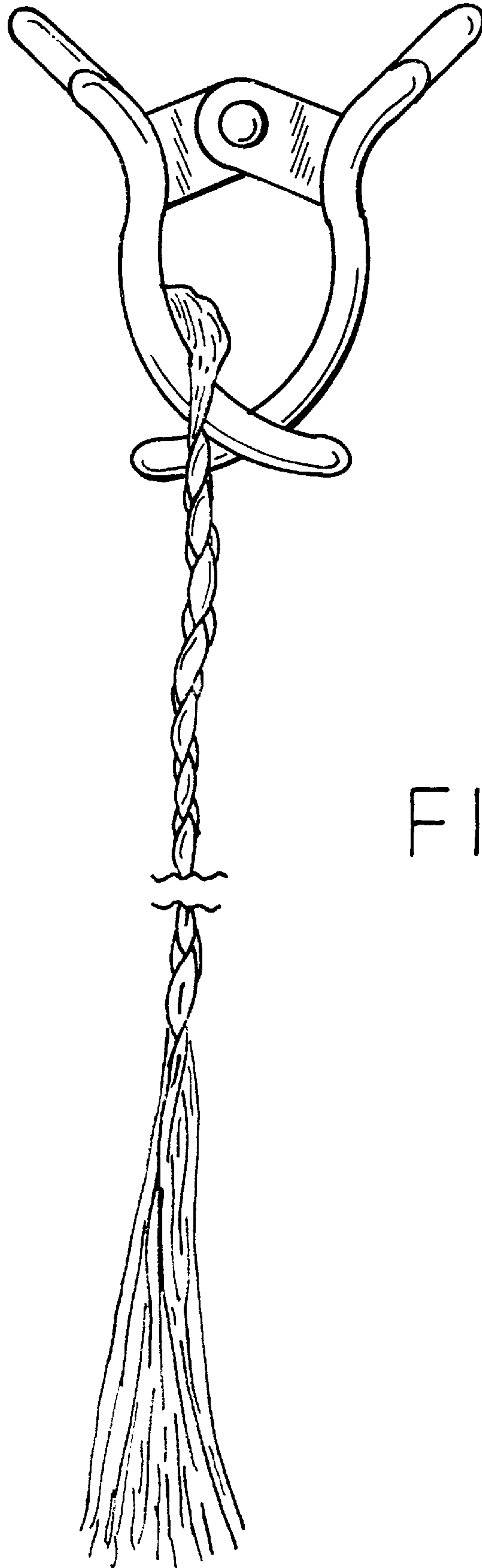


FIG. 2



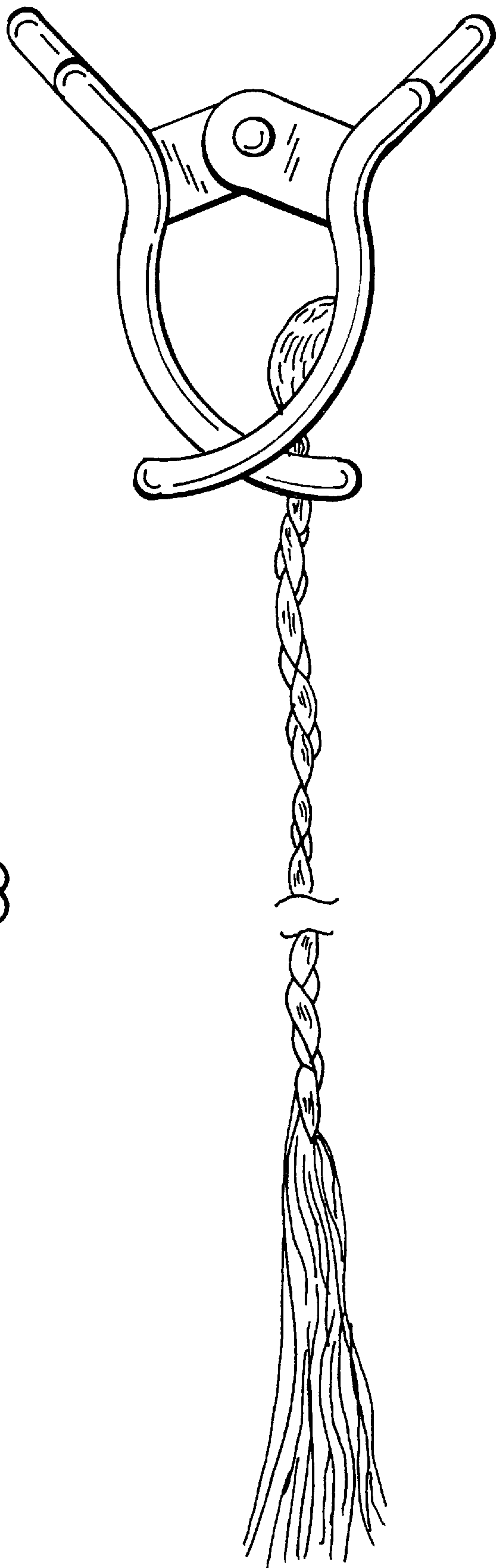
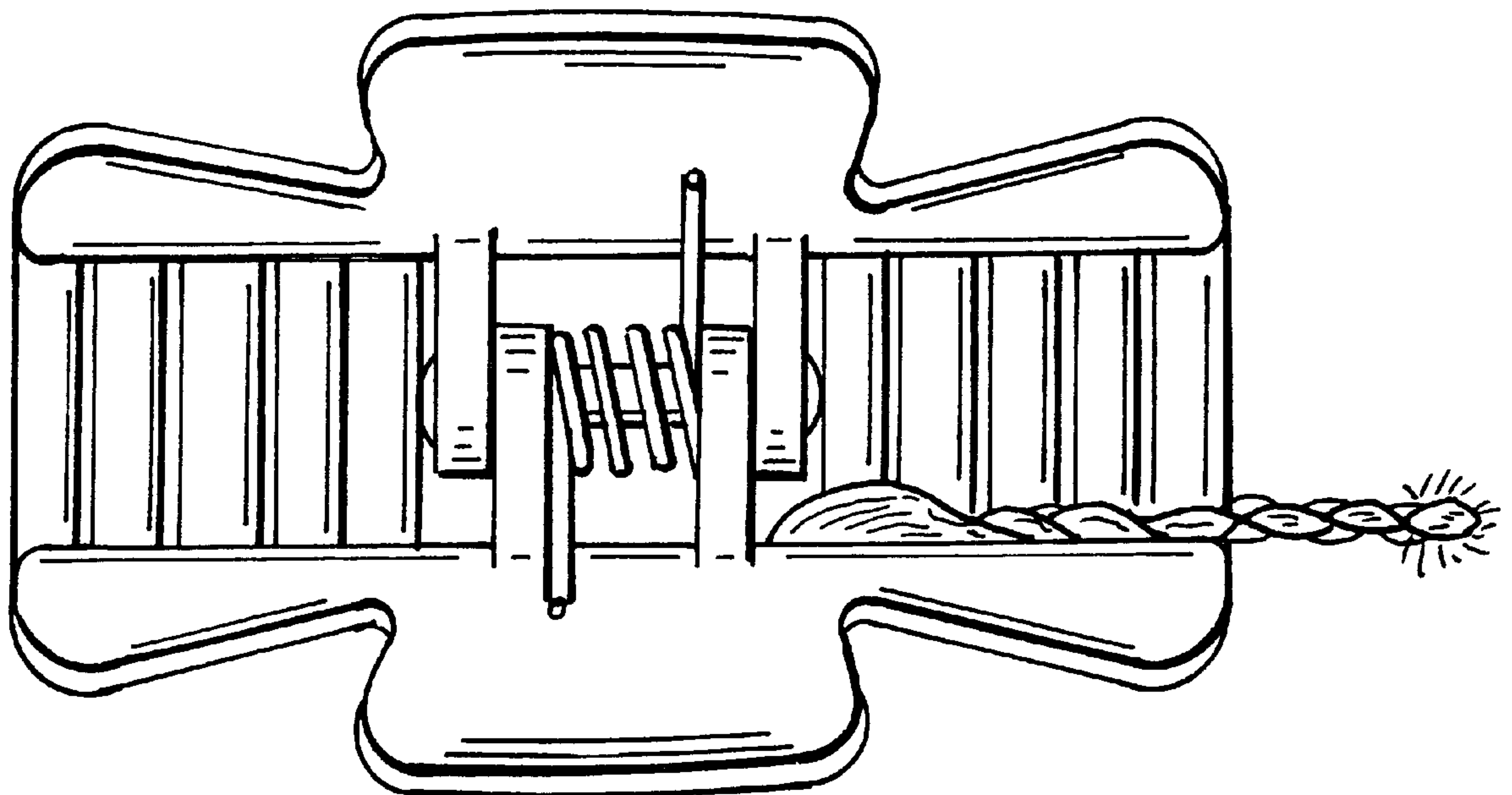


FIG. 3

FIG. 4



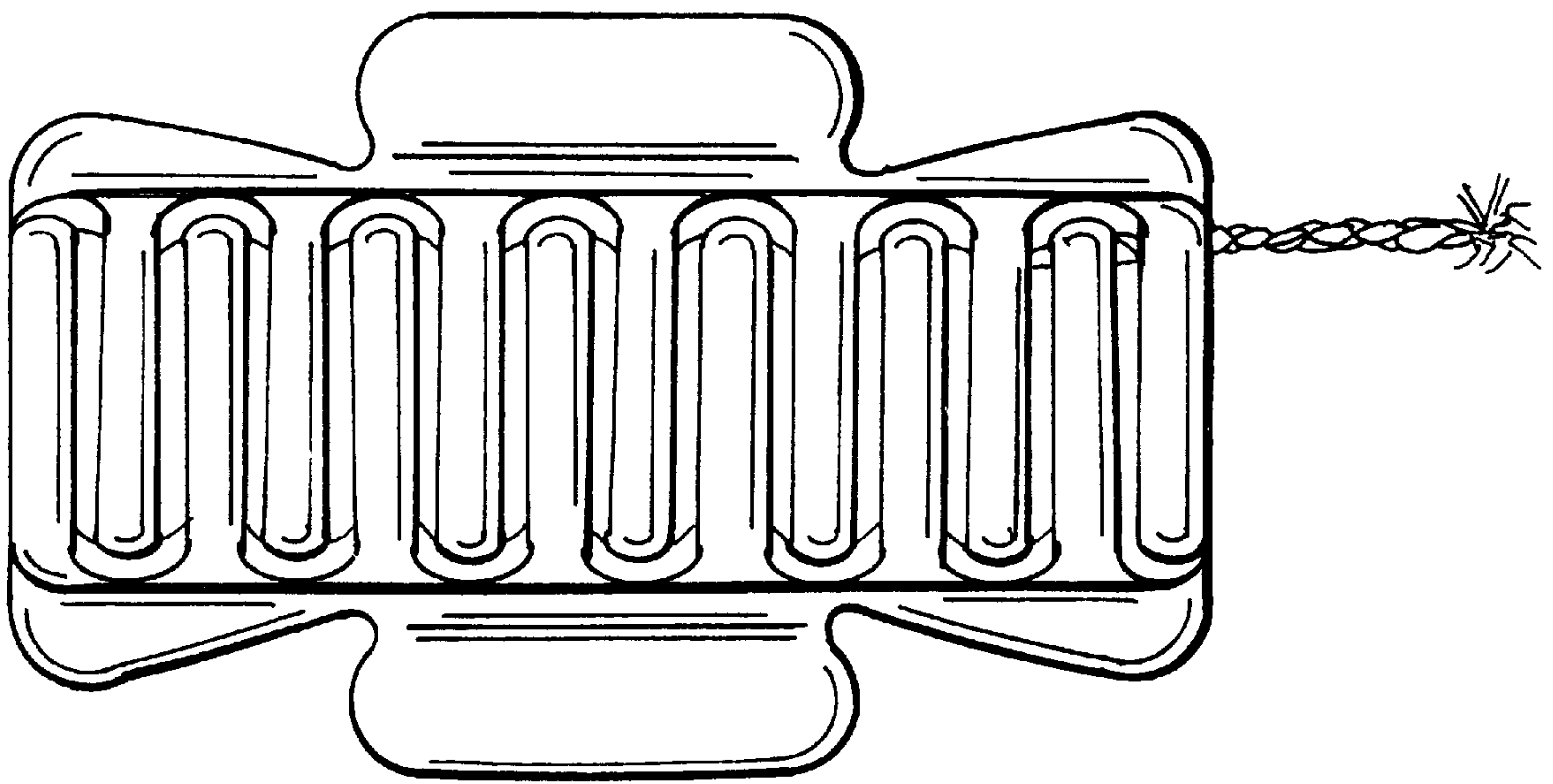


FIG. 5

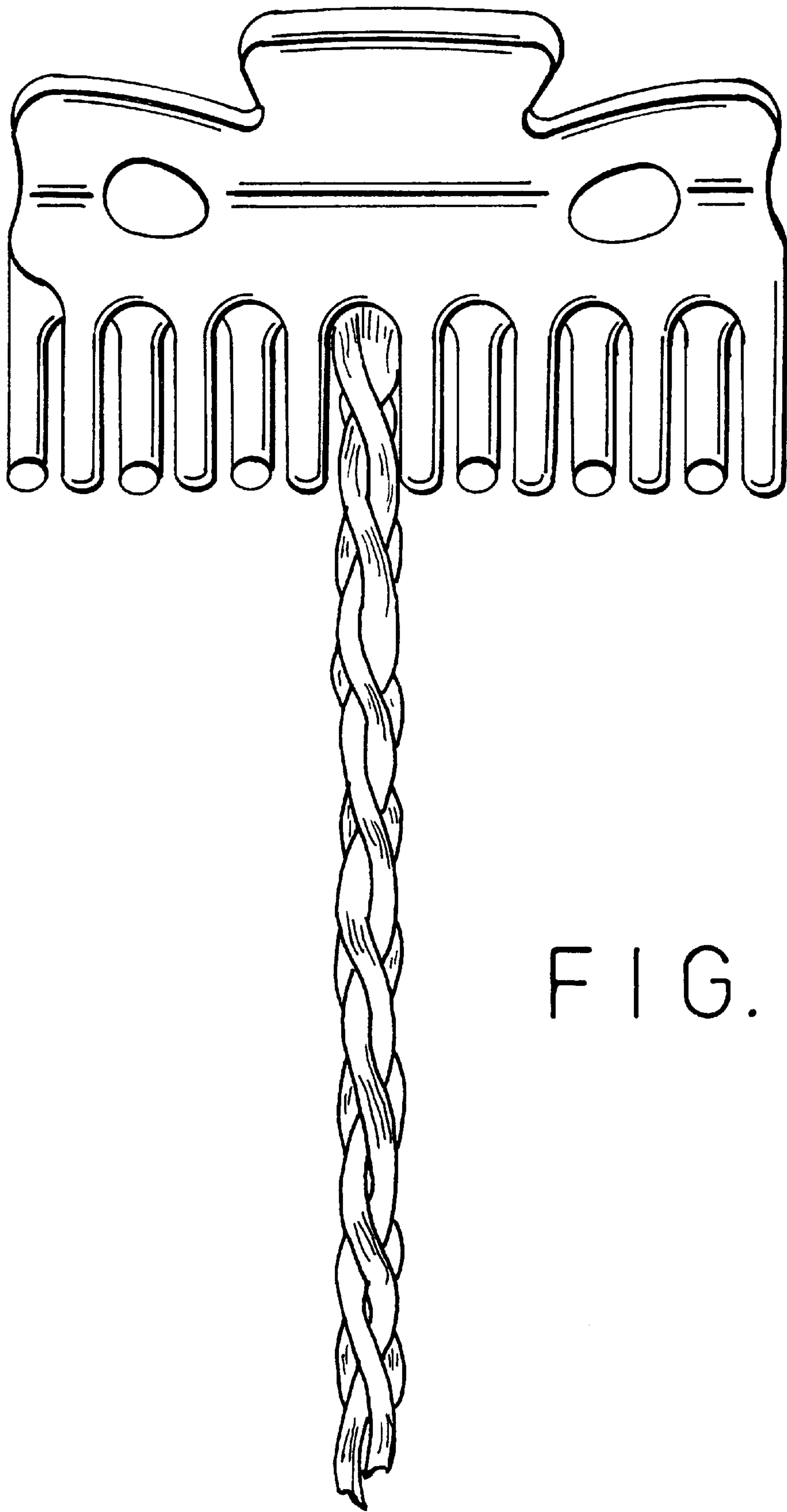


FIG. 6



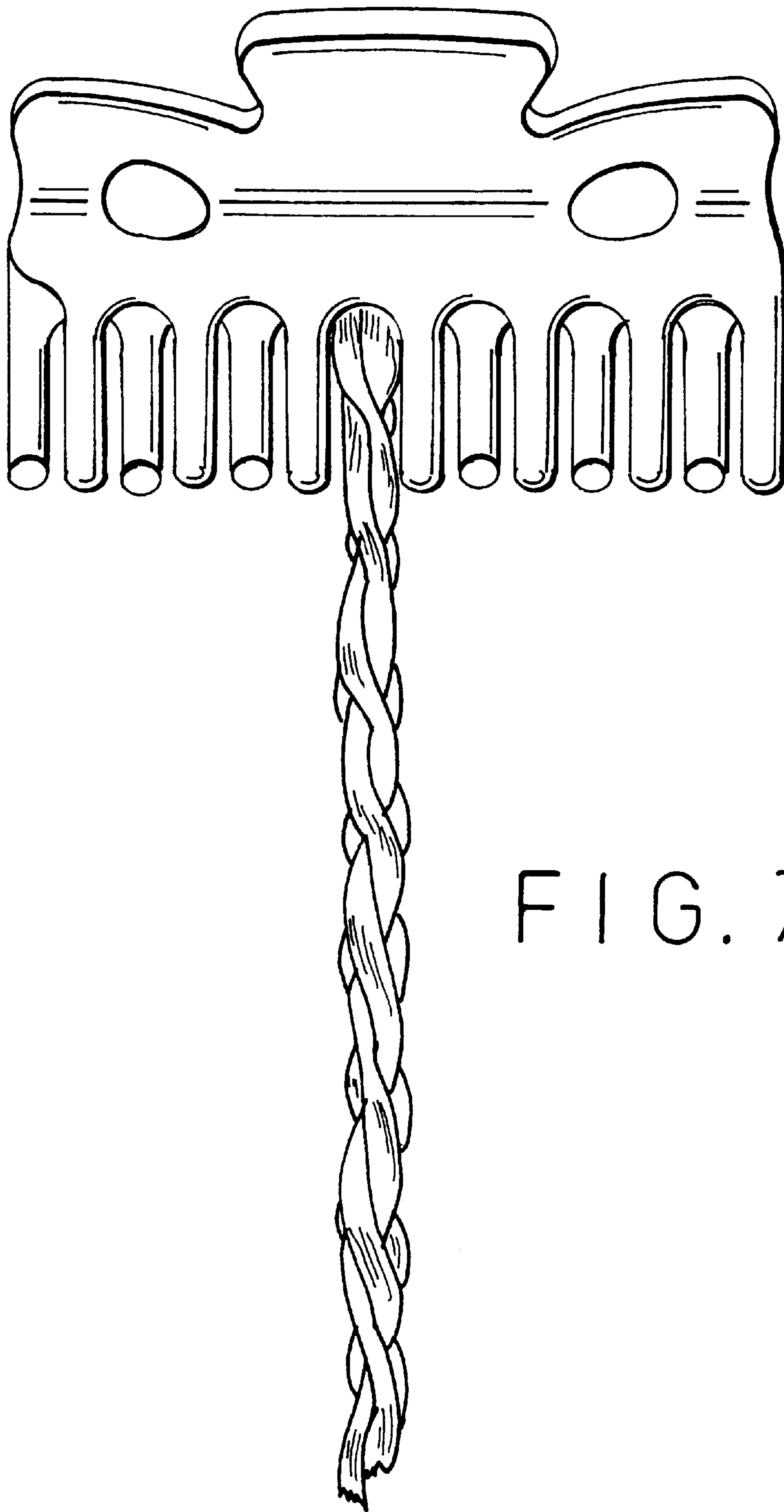


FIG. 7

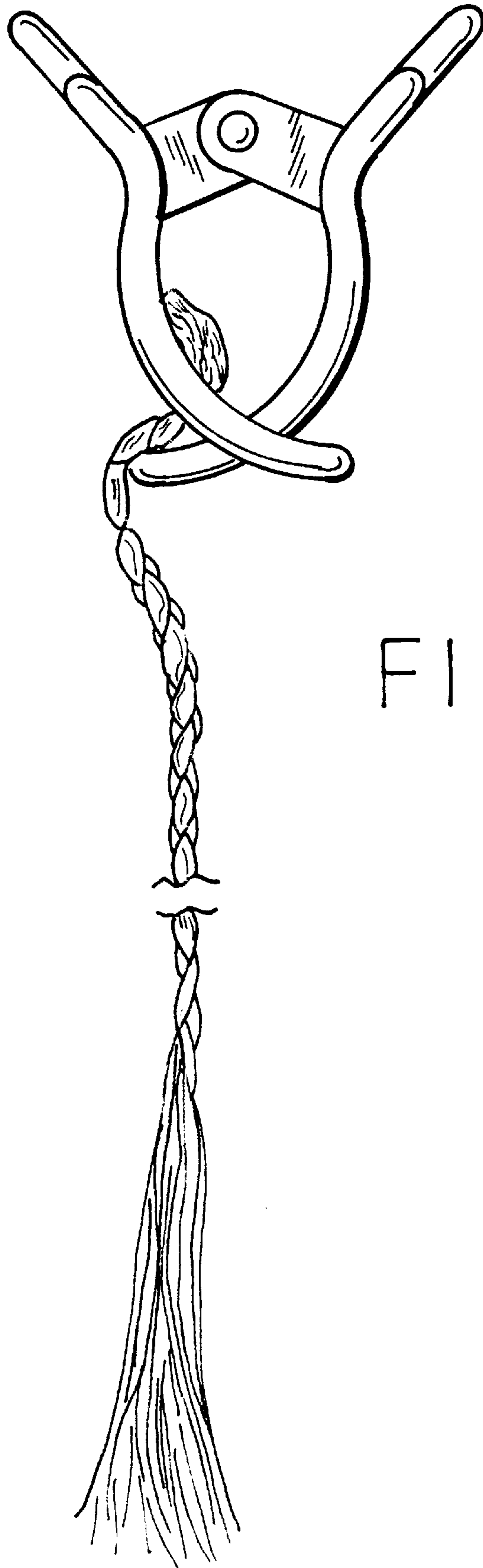


FIG. 8

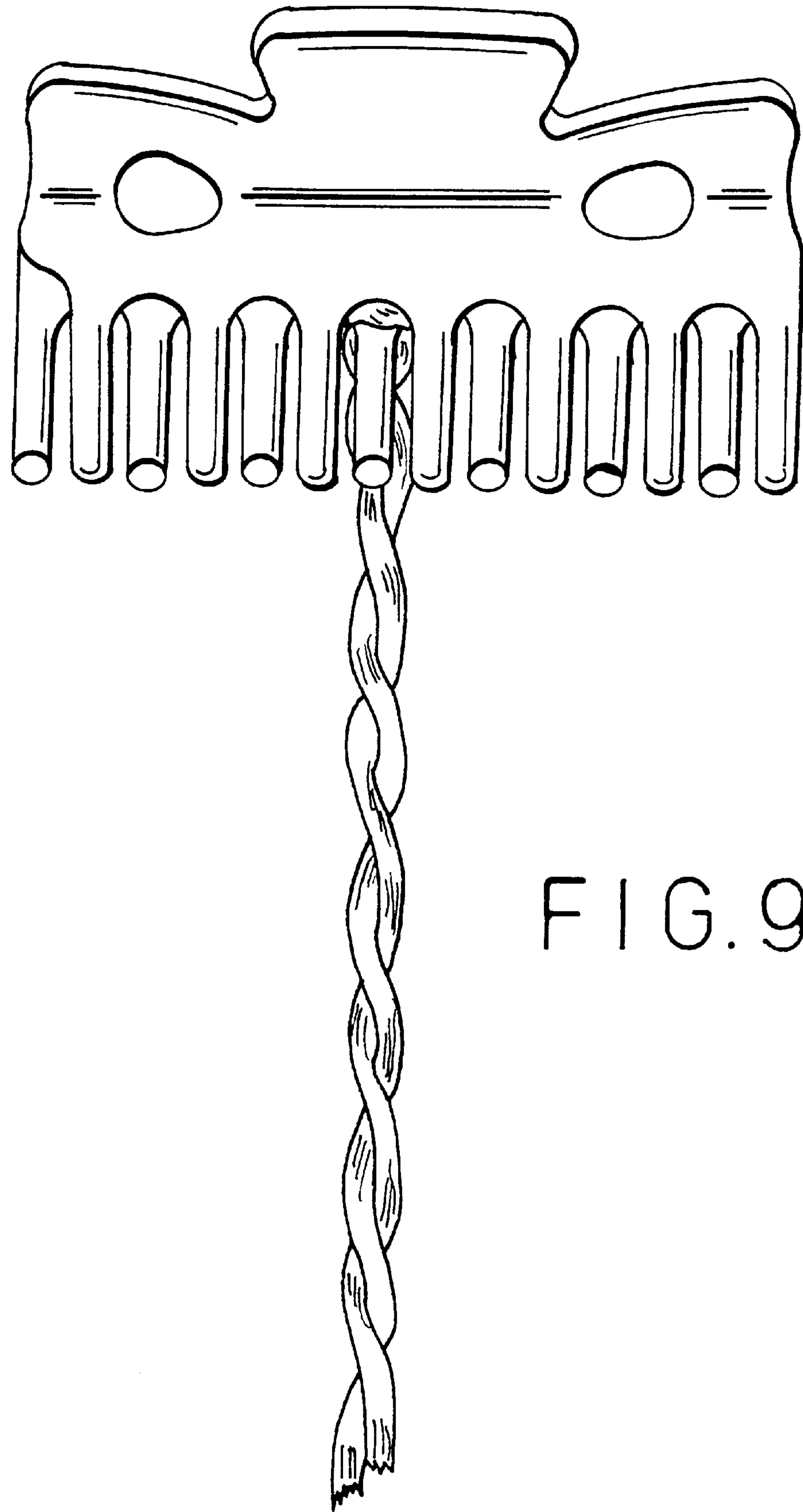


FIG. 9

FIG. 10

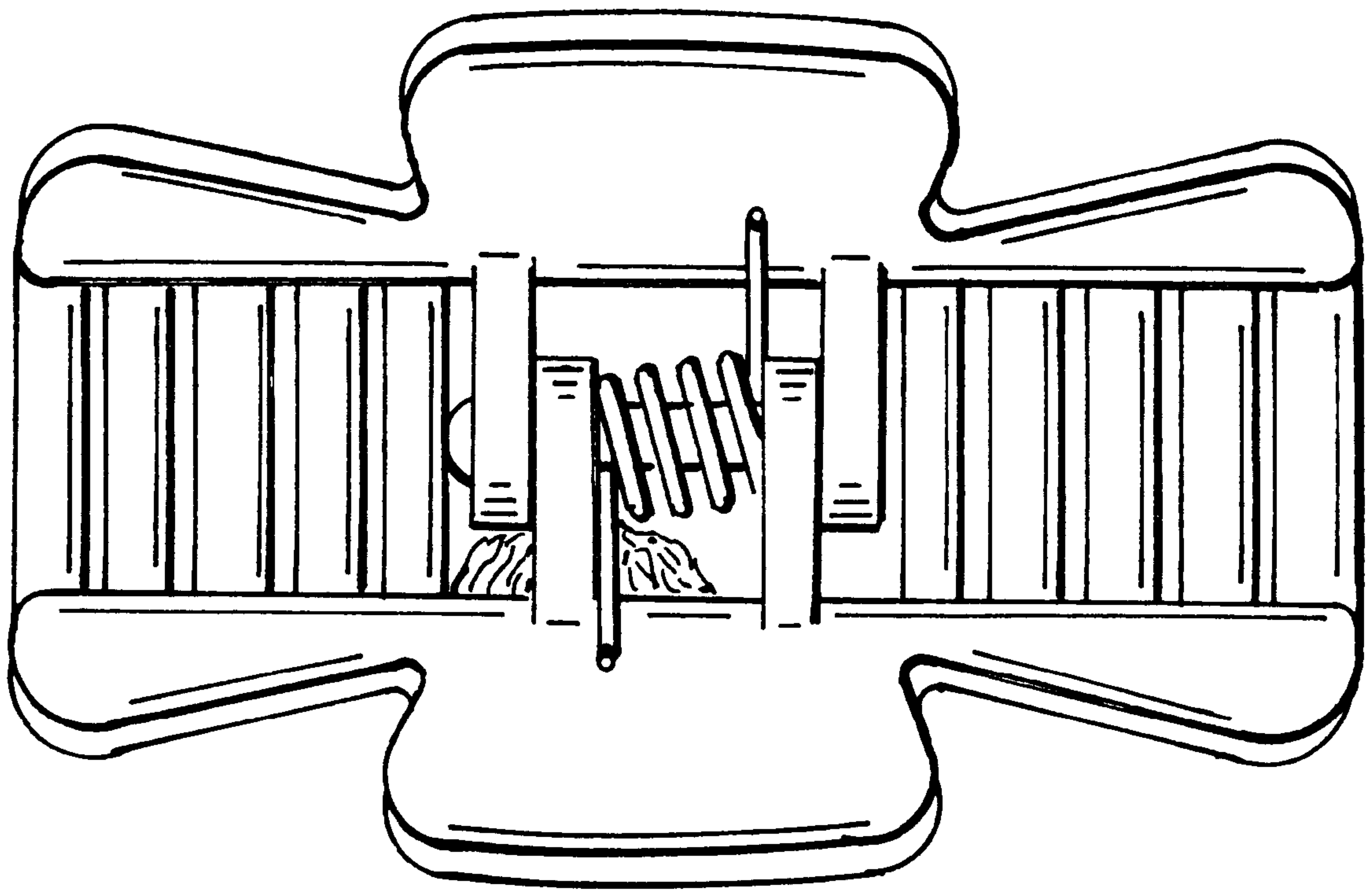
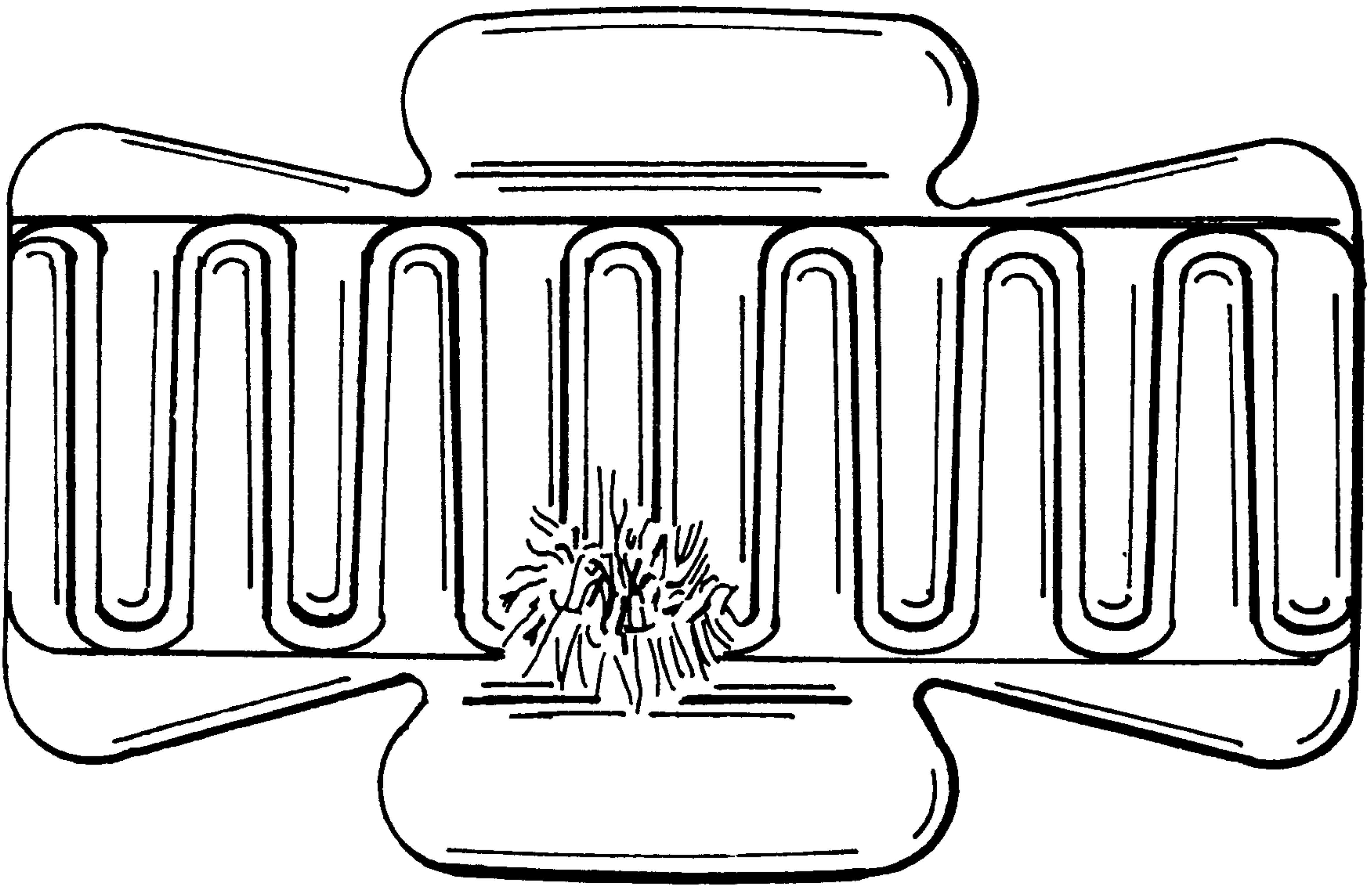


FIG. 11





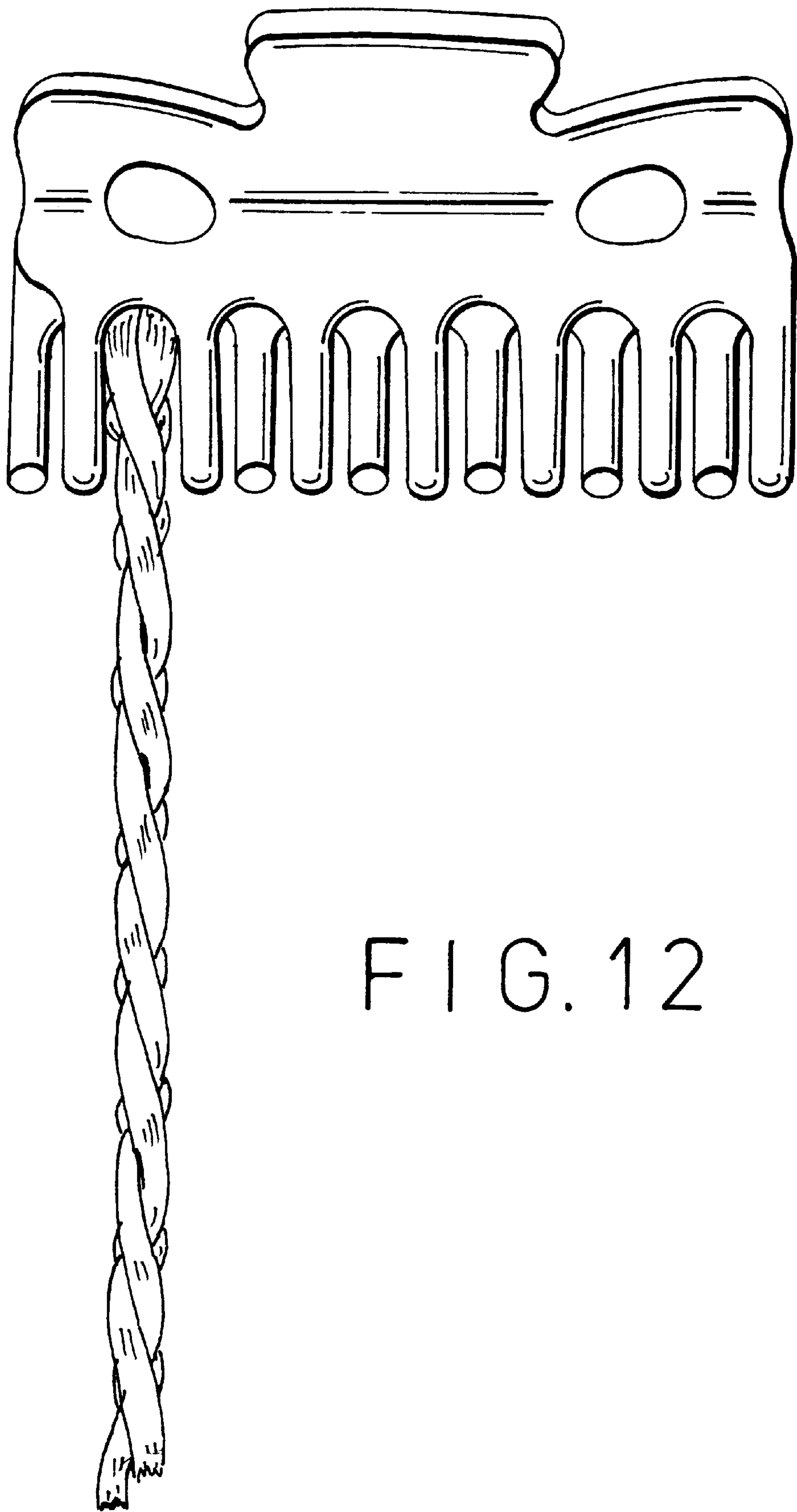


FIG. 12

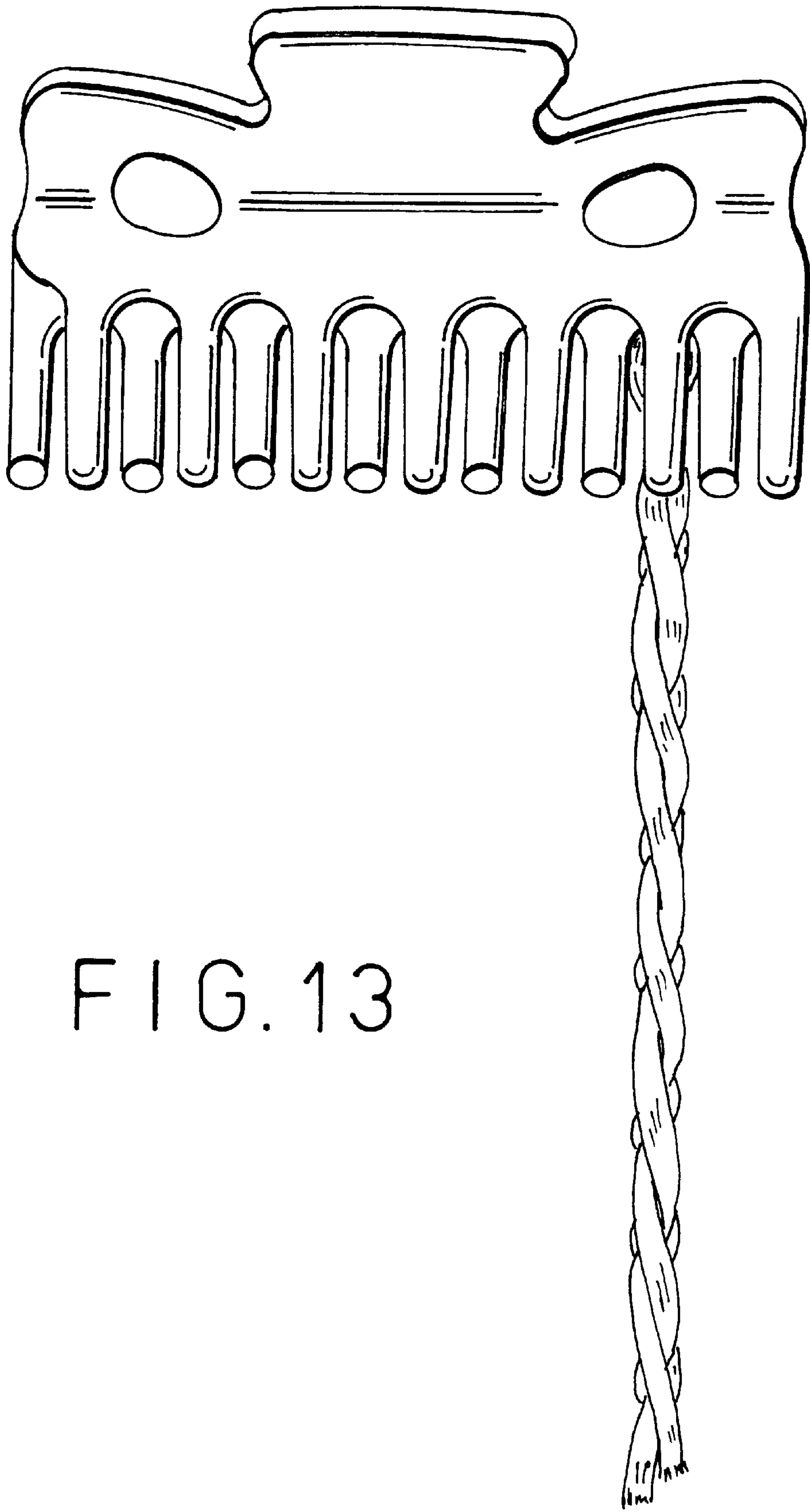


FIG. 13

FIG. 14

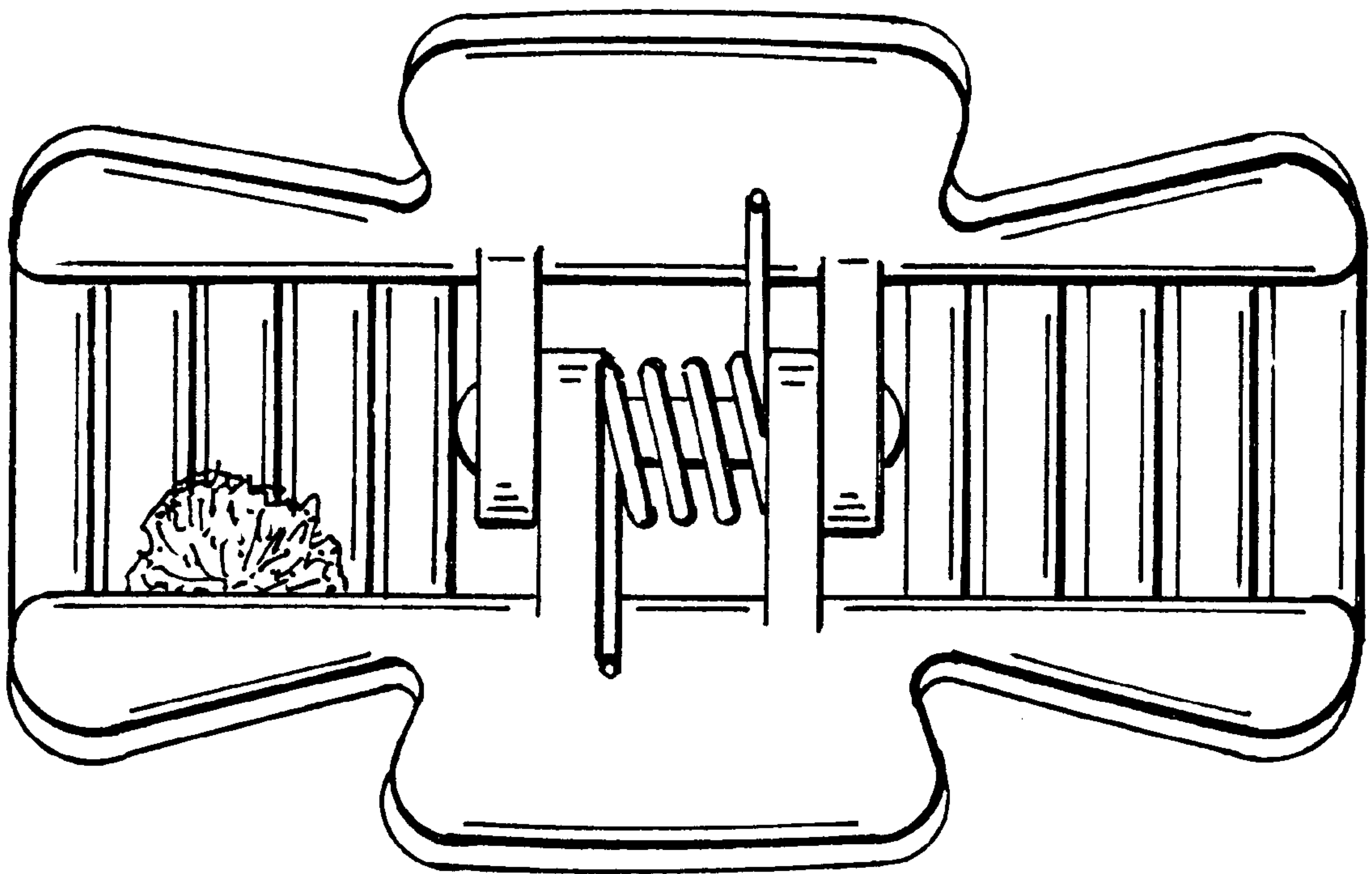
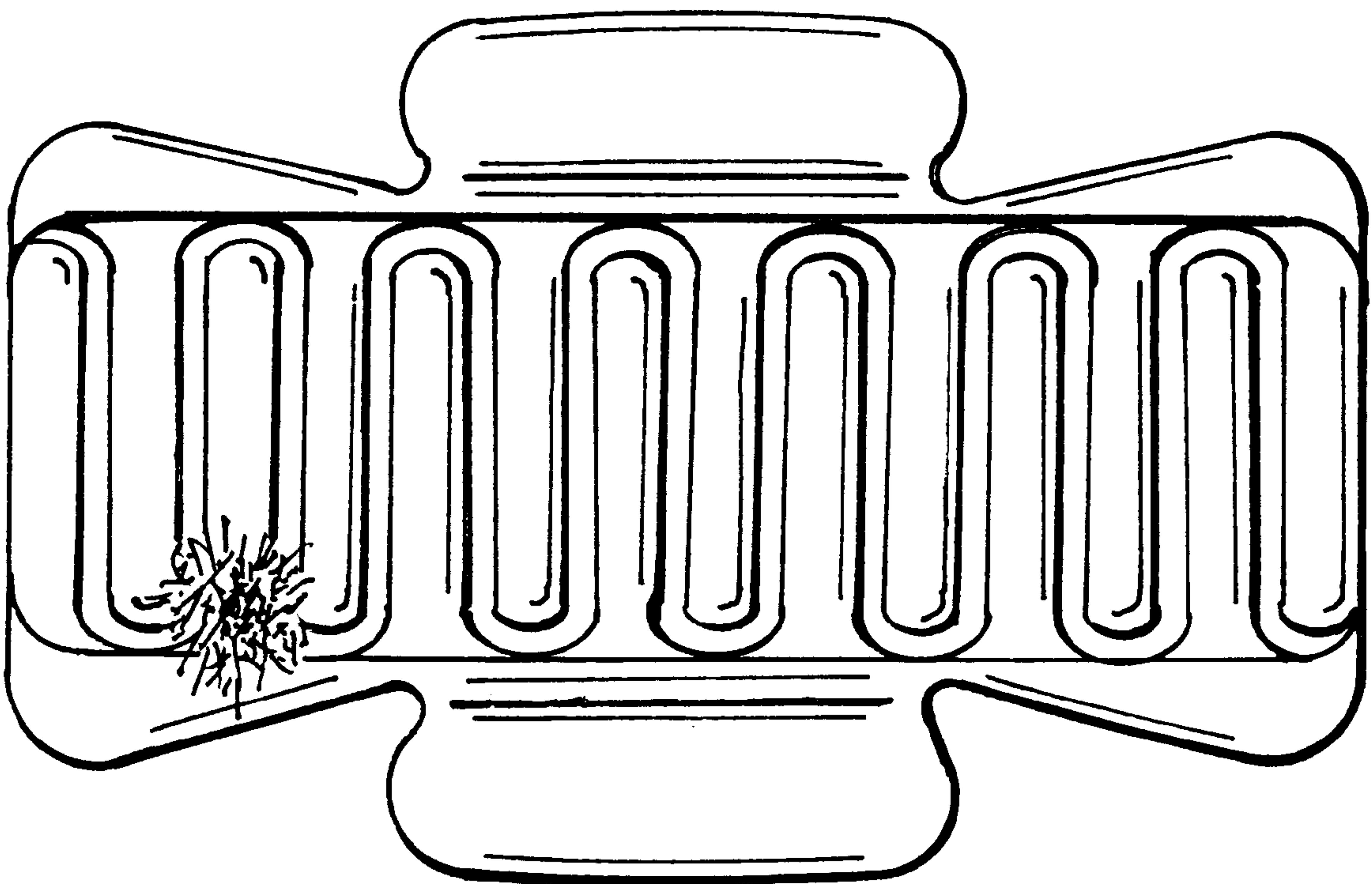


FIG. 15



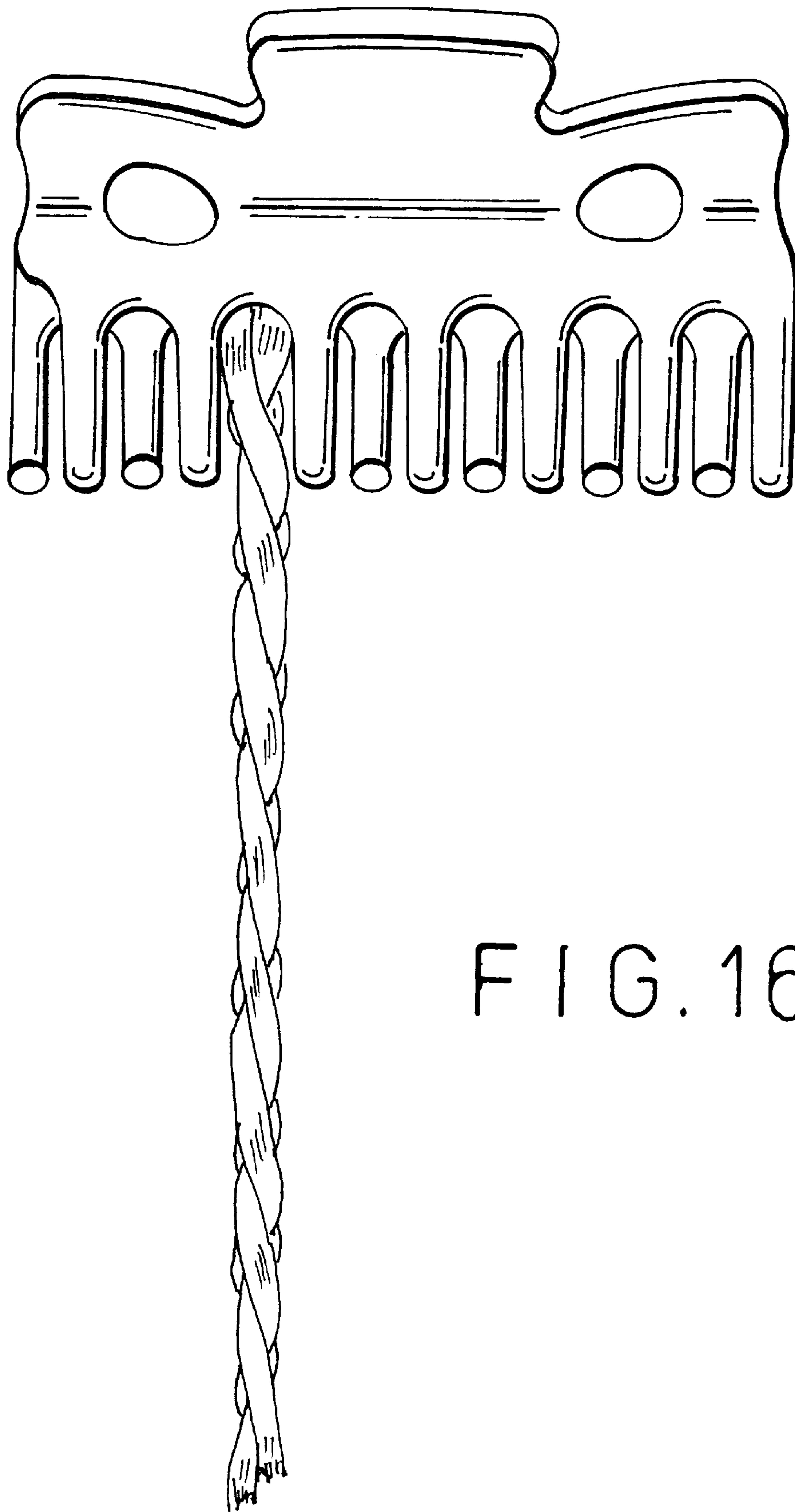


FIG. 16



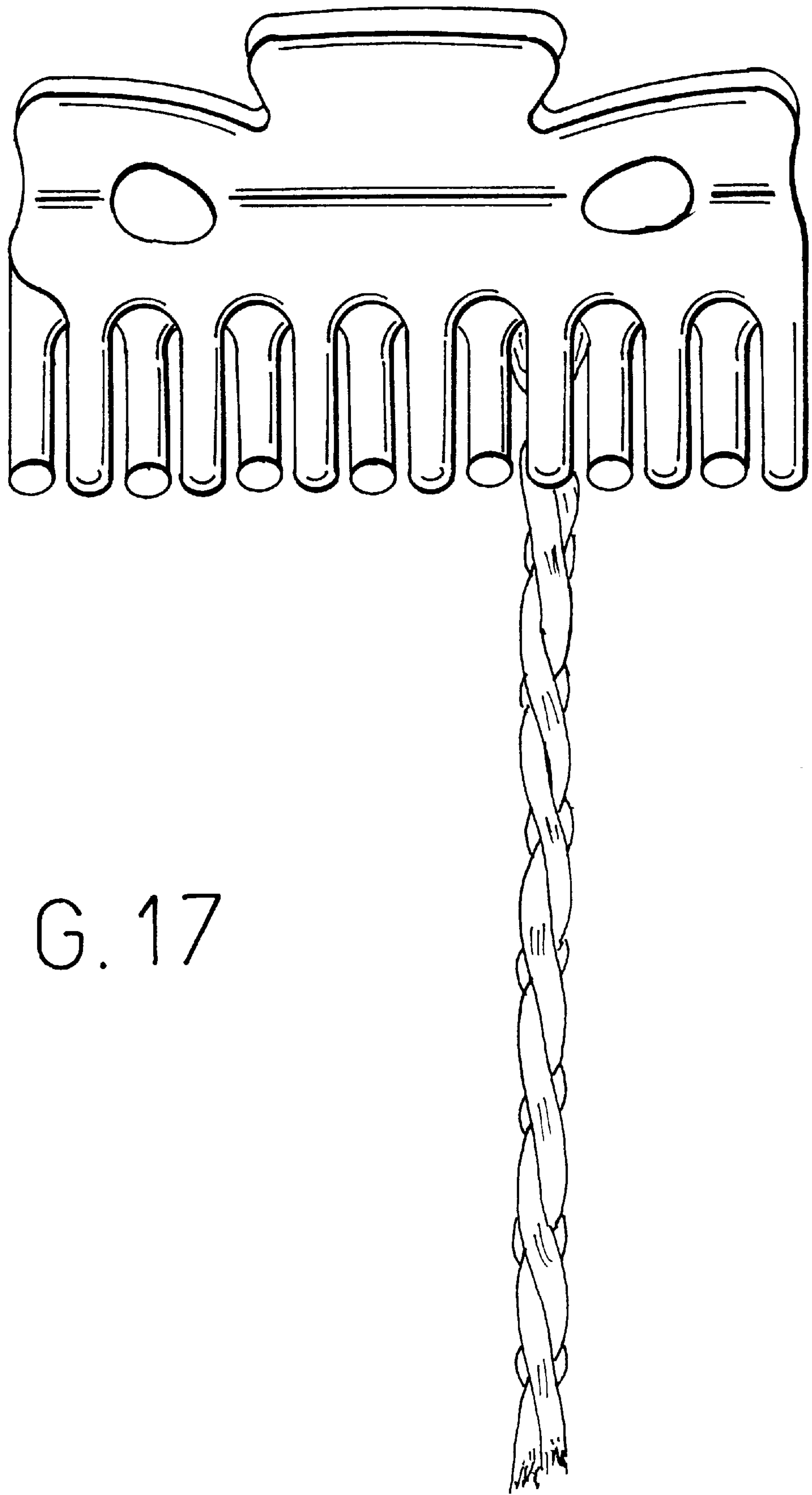


FIG. 17

FIG. 18

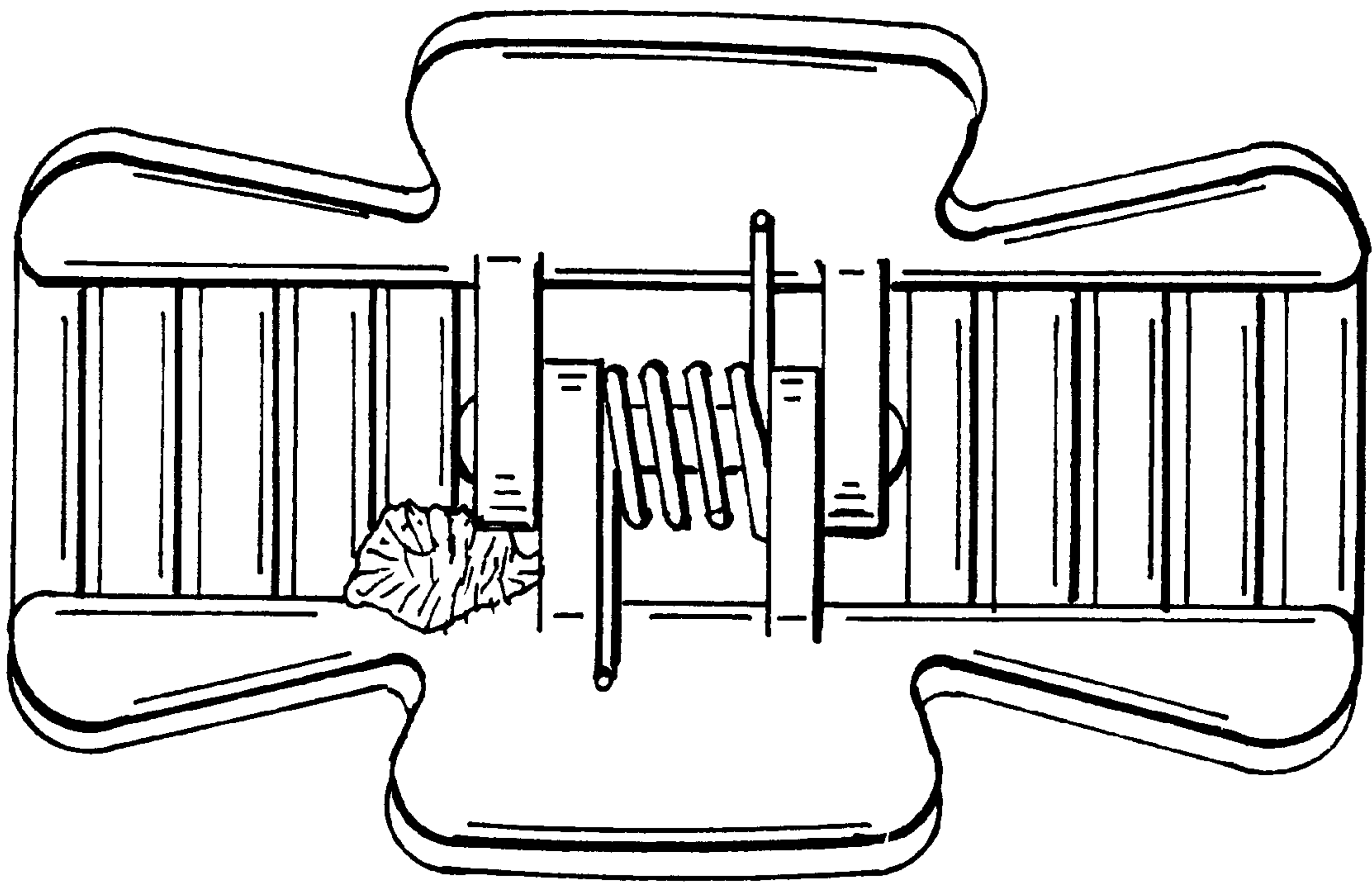
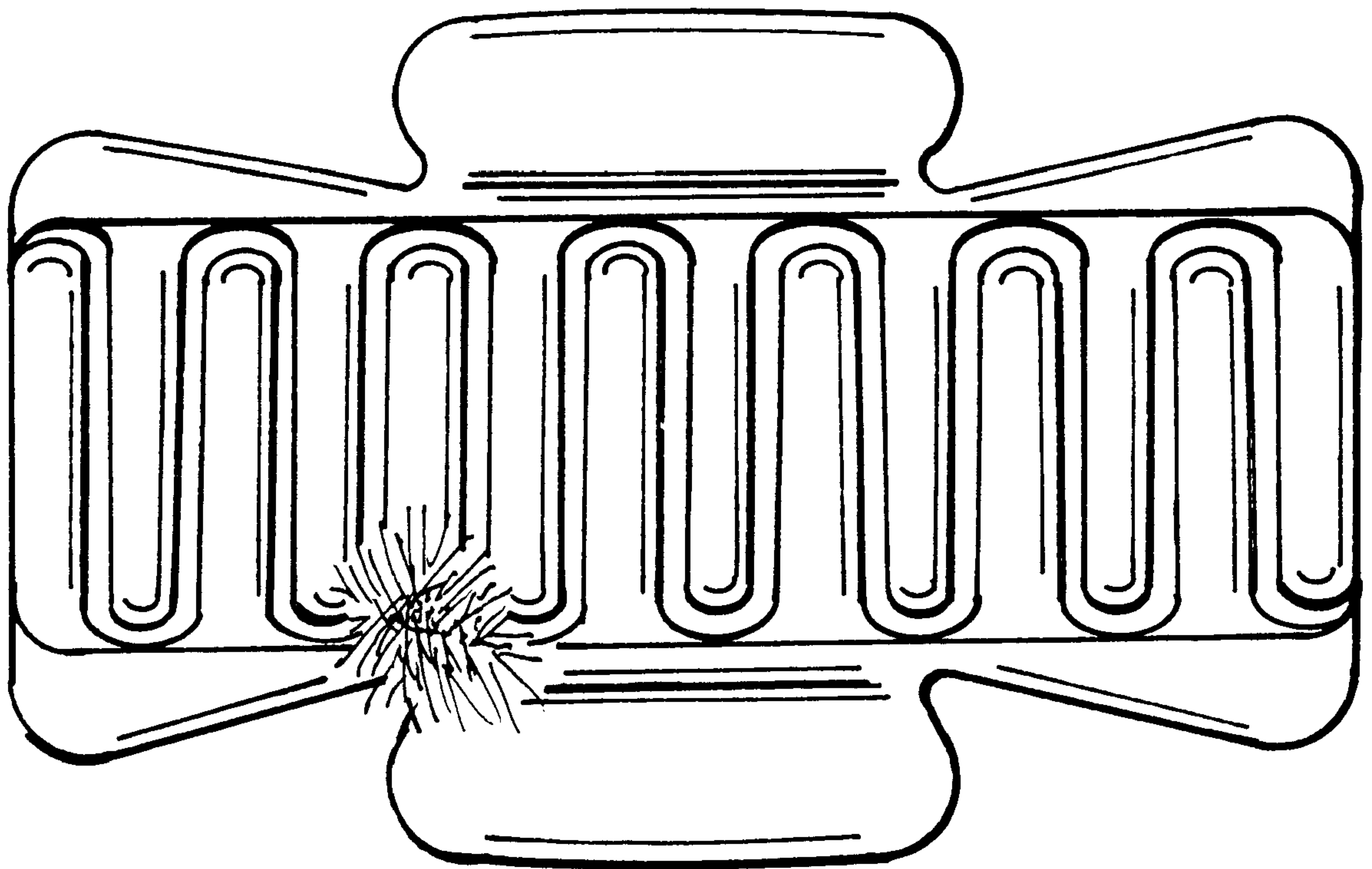


FIG. 19



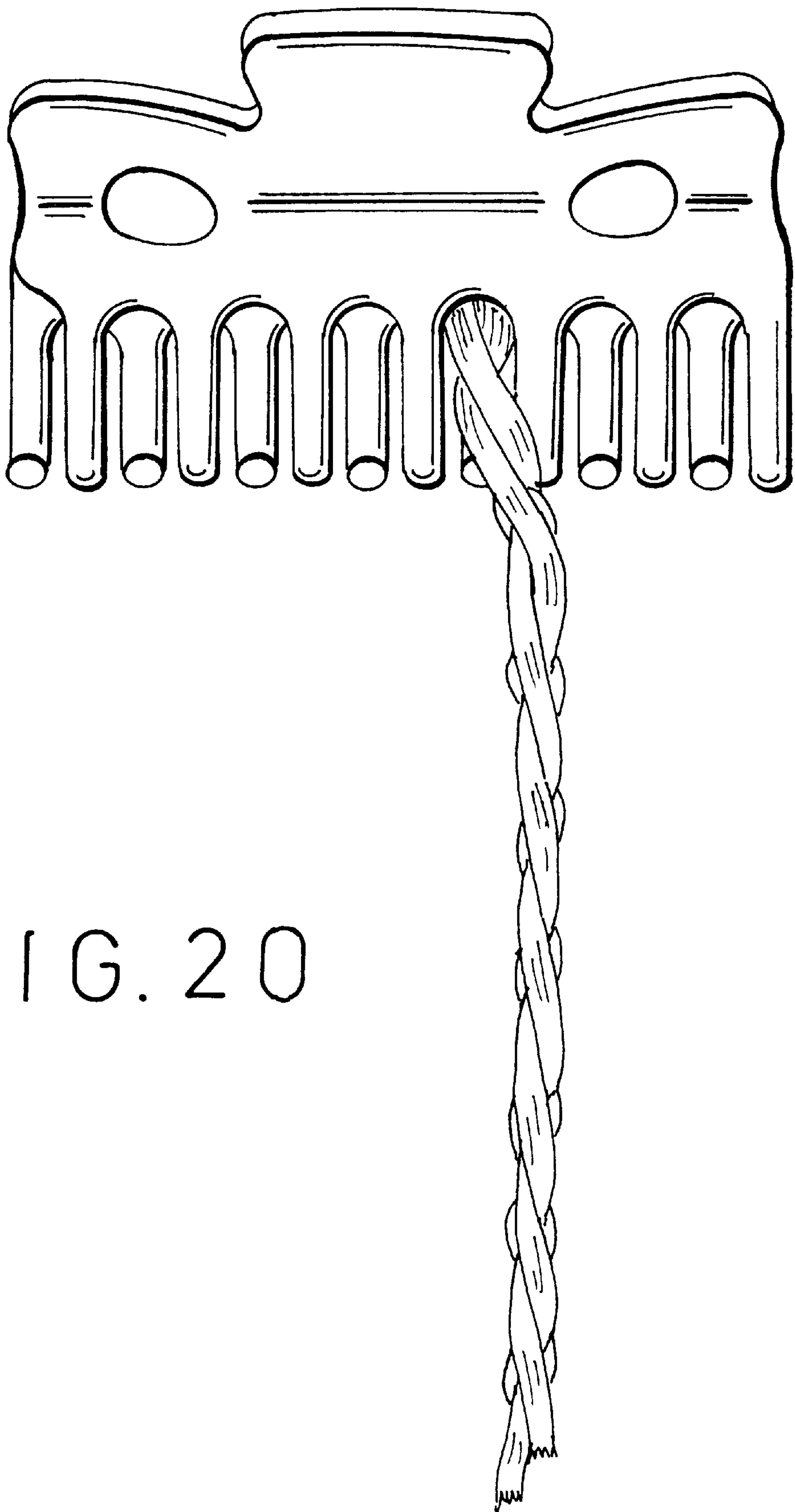


FIG. 20

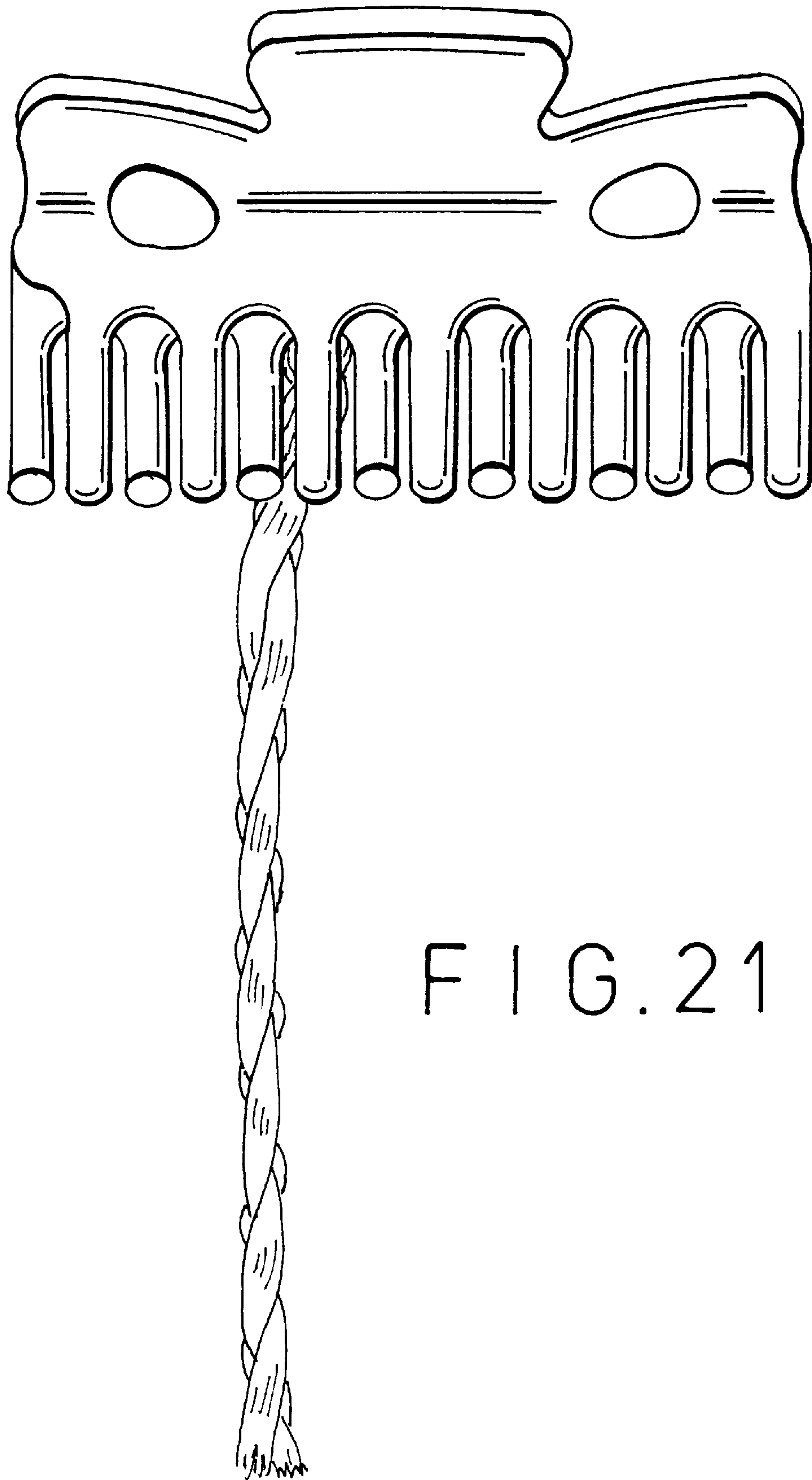


FIG. 21



FIG. 22

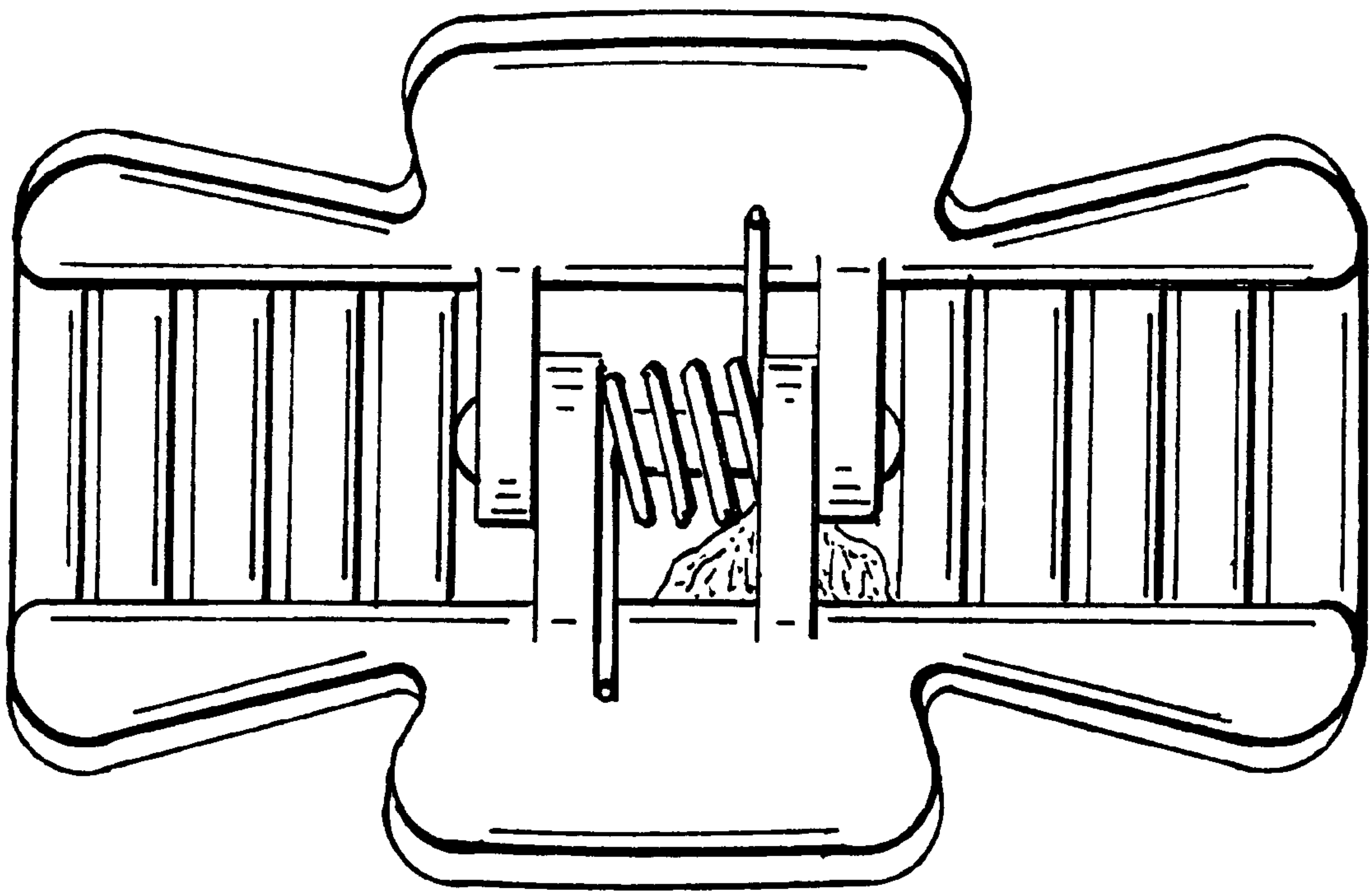
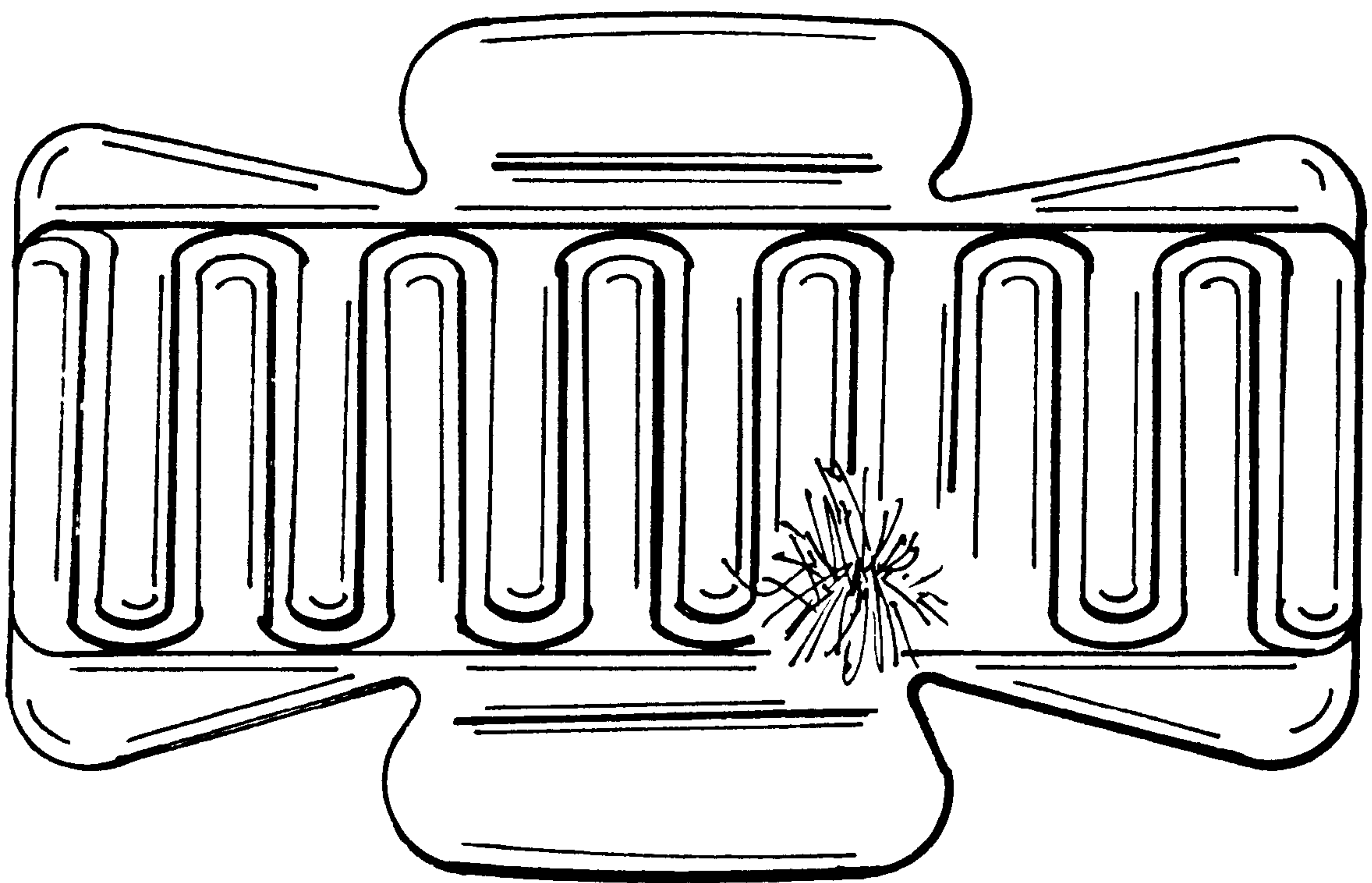


FIG. 23



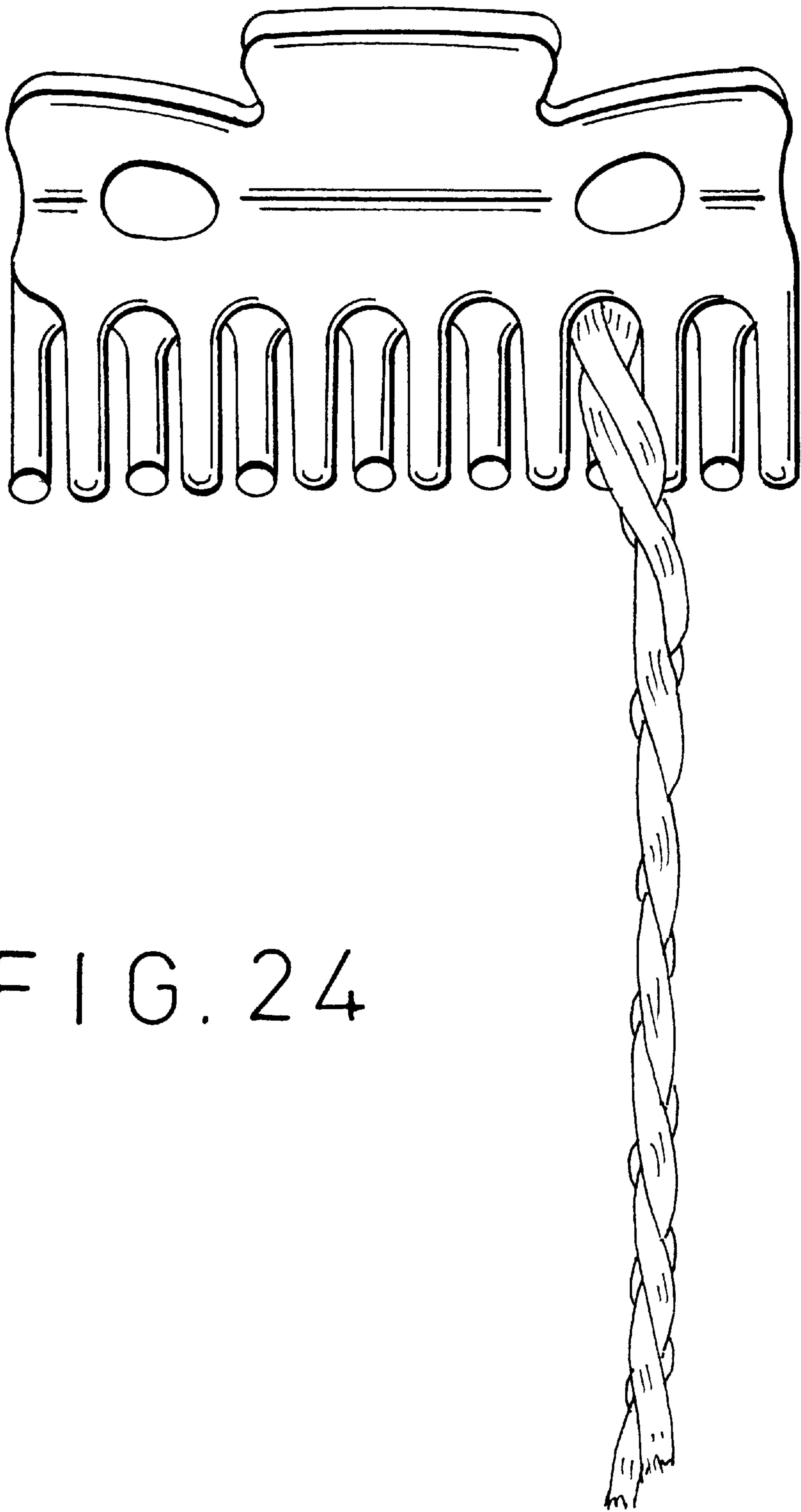


FIG. 24

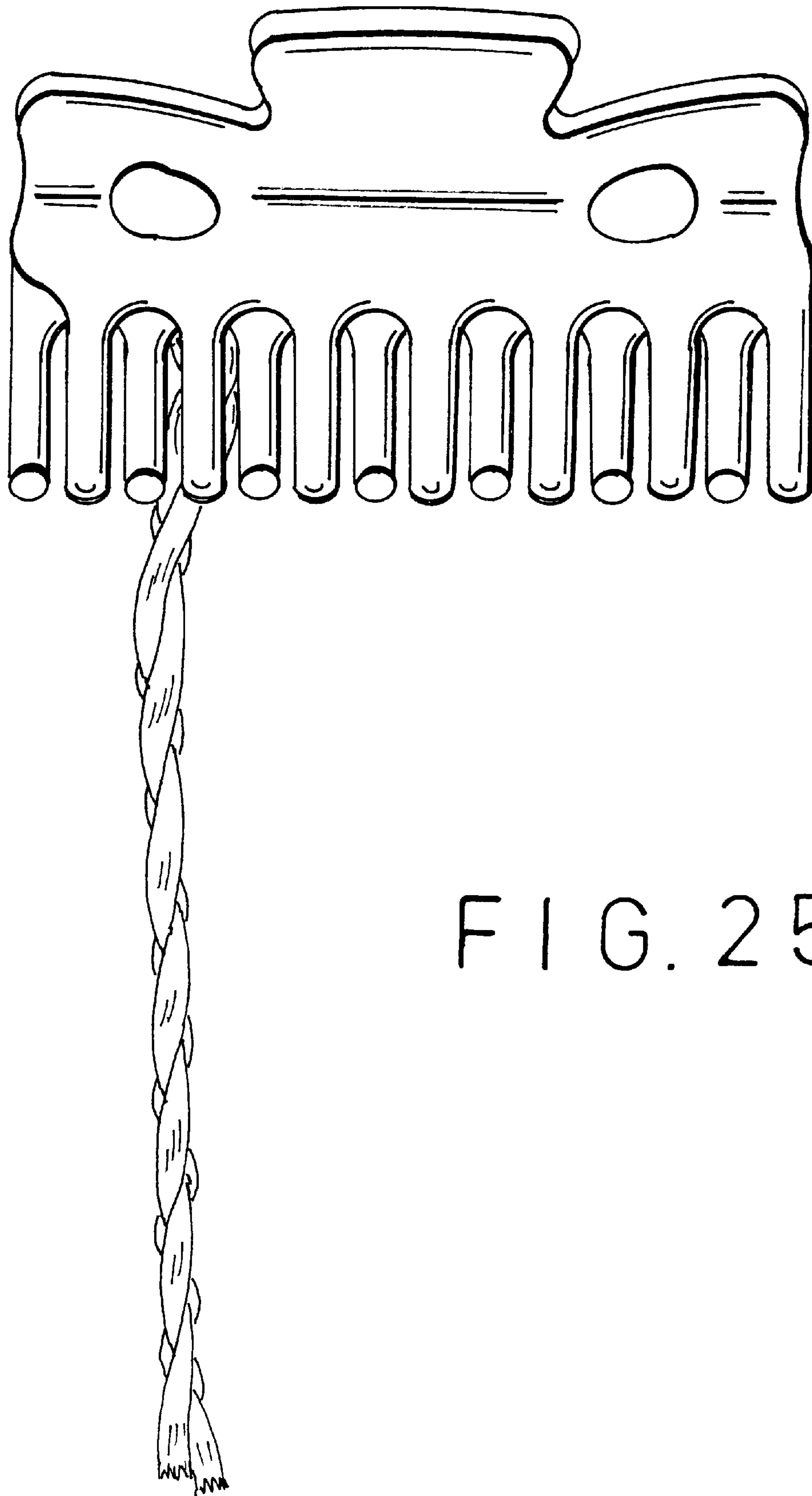


FIG. 25

FIG. 26

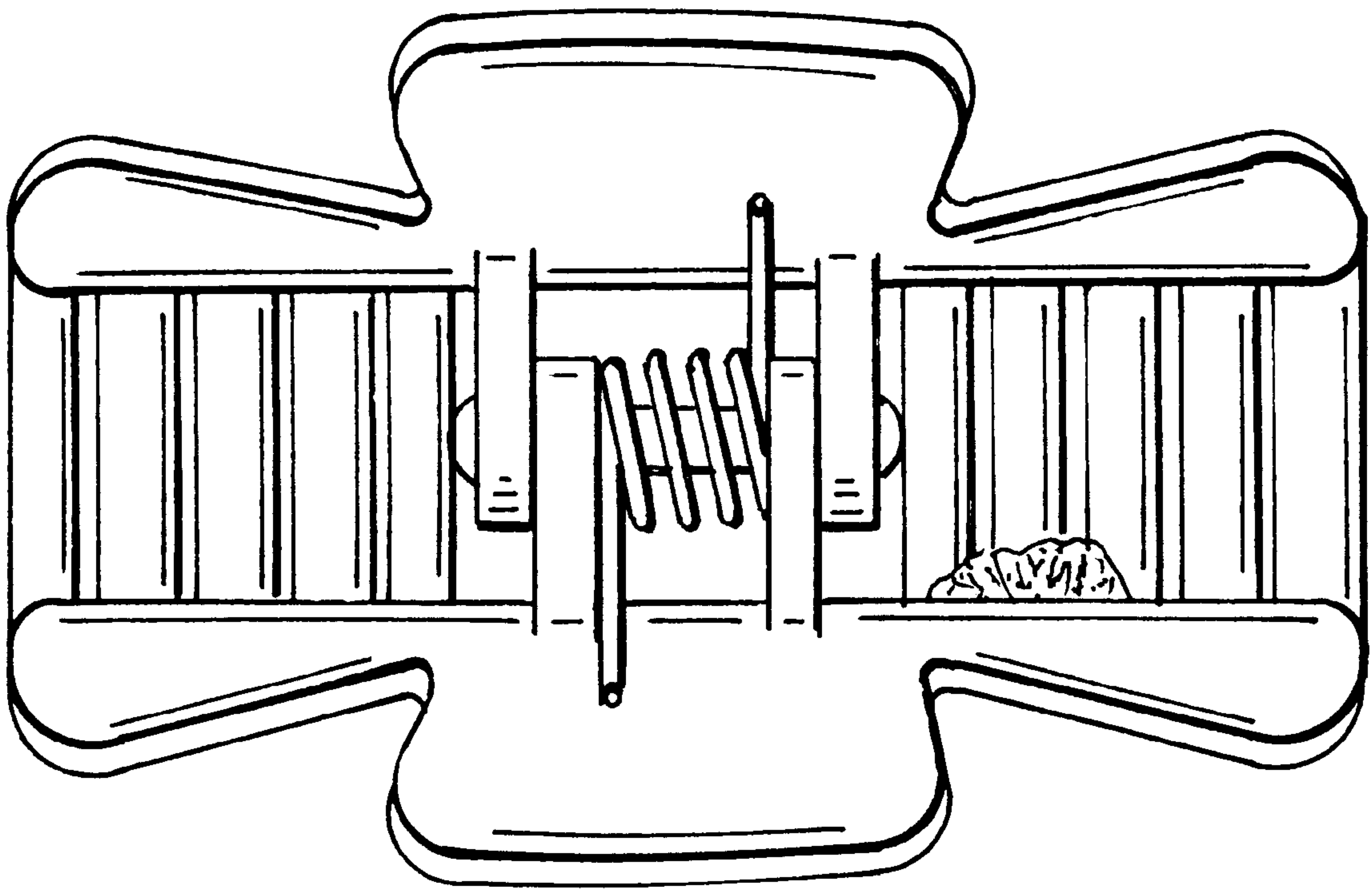
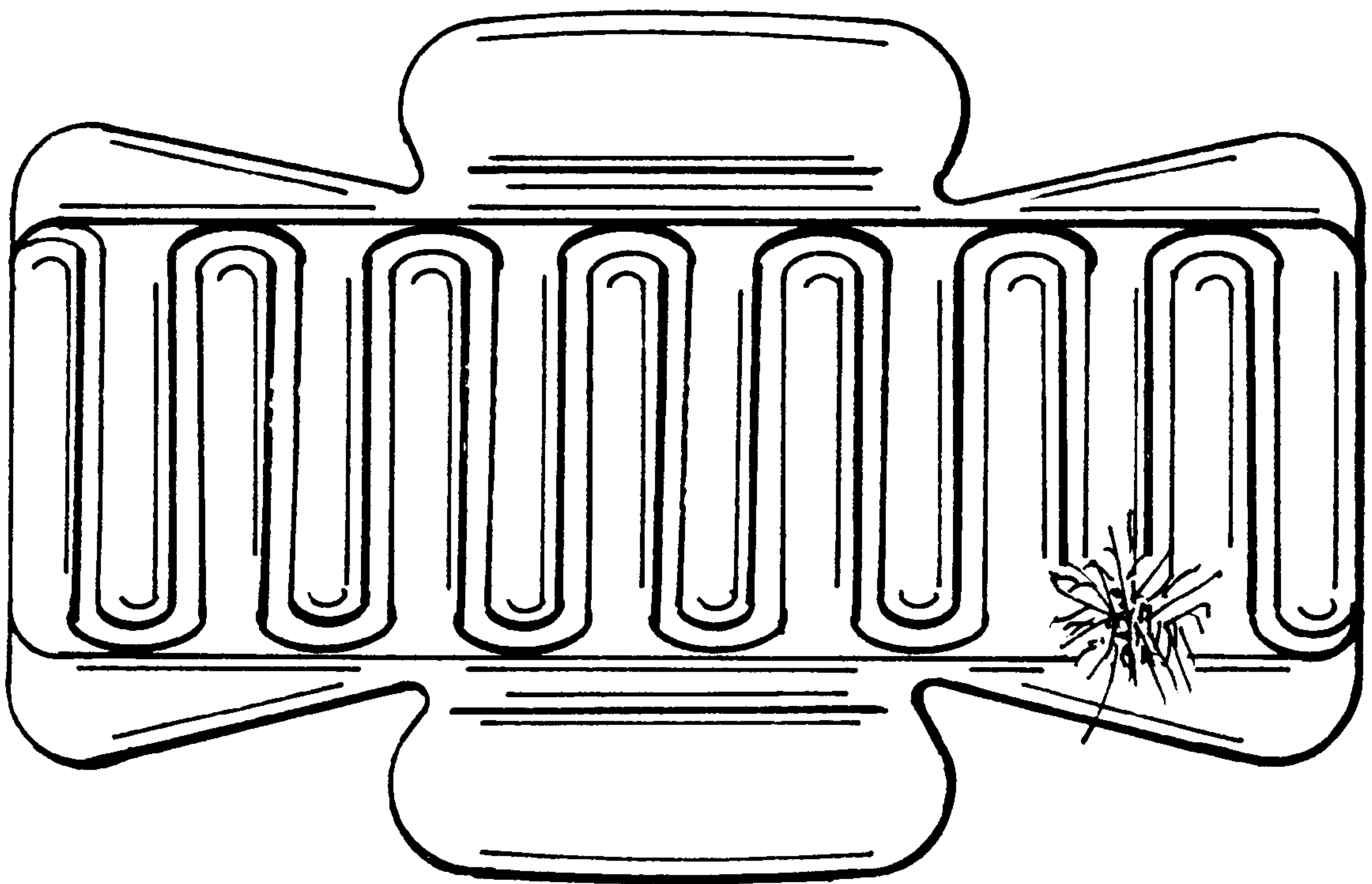




FIG. 27



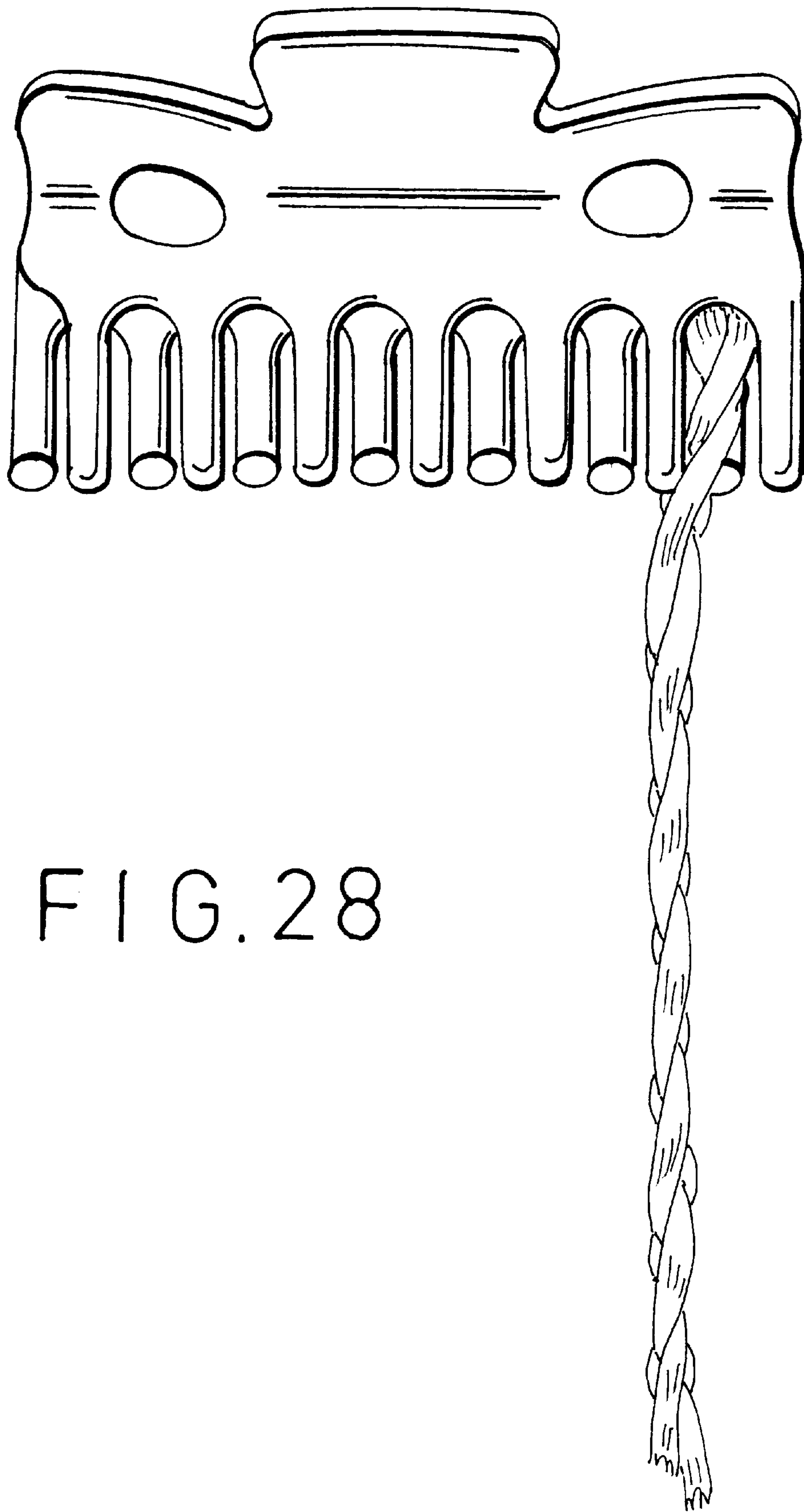


FIG. 28

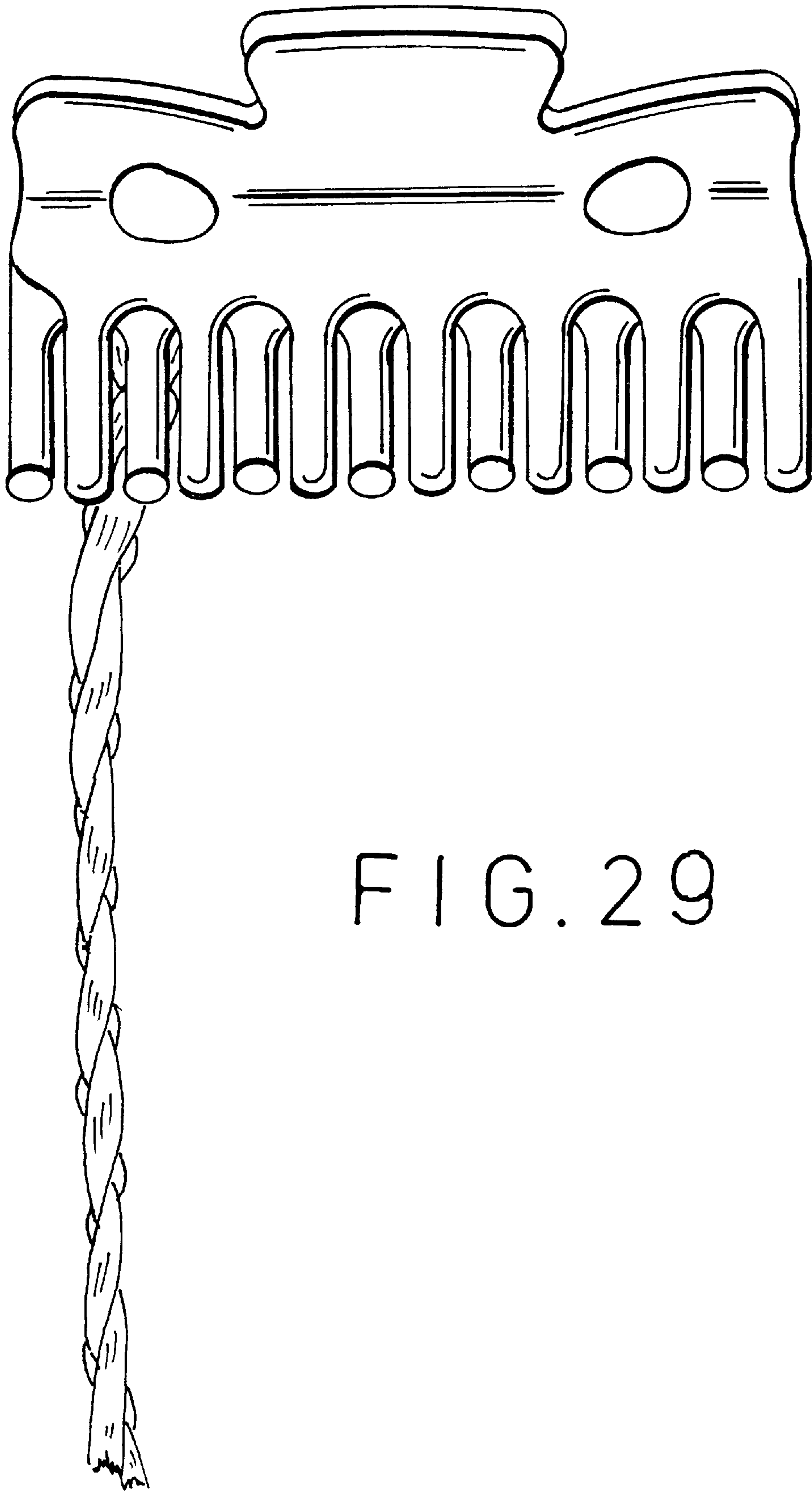


FIG. 29

FIG. 30

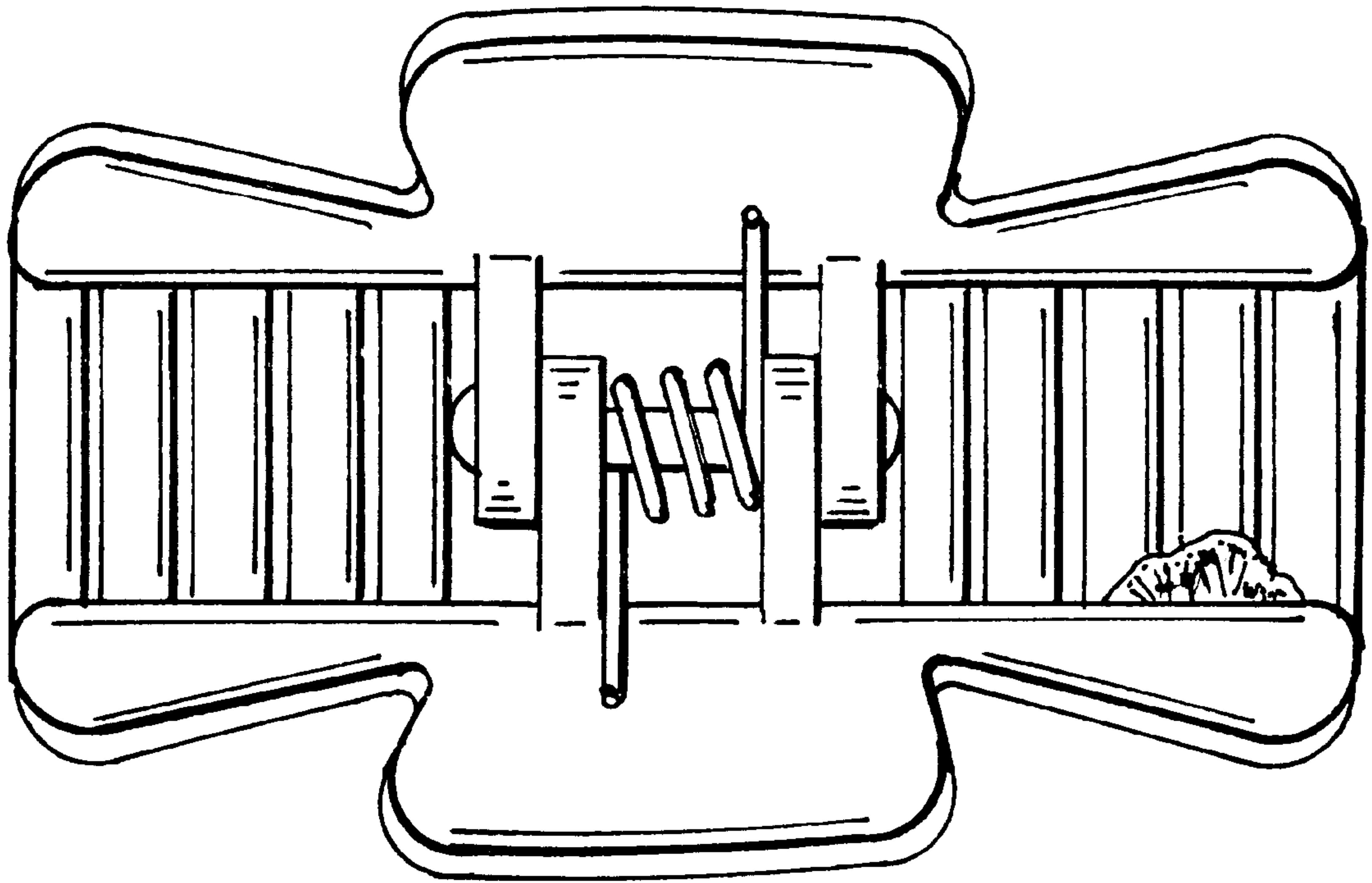


FIG. 31

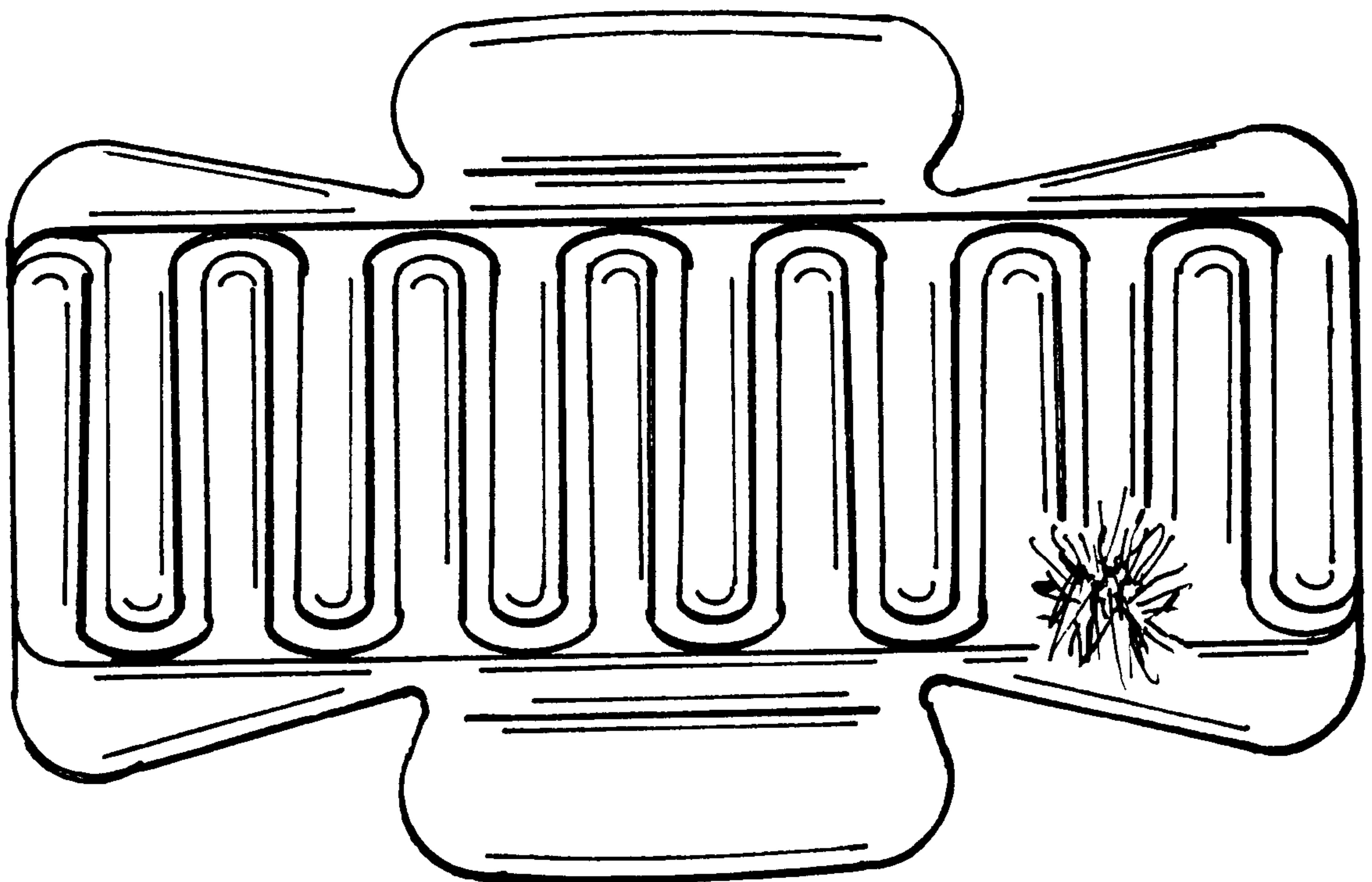


FIG. 32

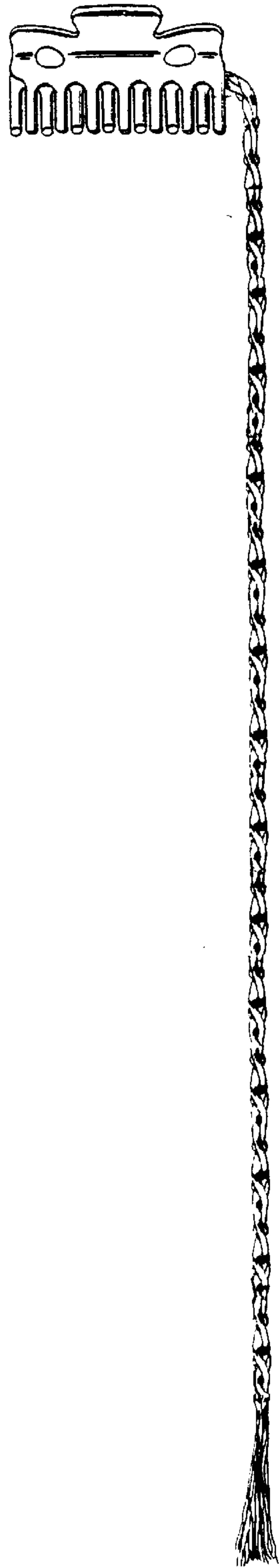


FIG. 33

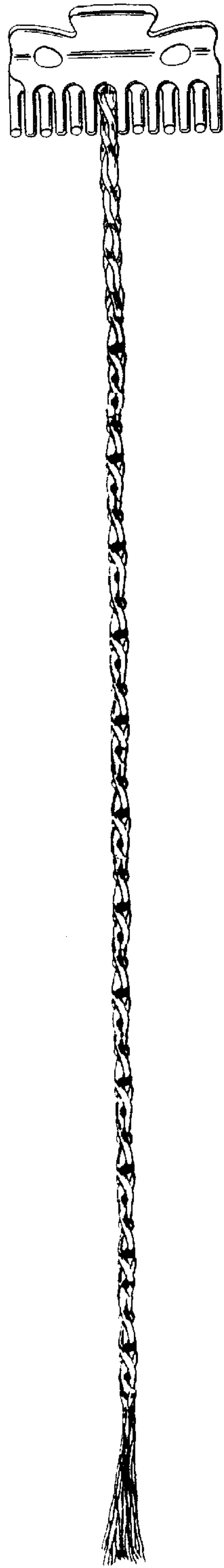


FIG. 34

