



US00D438675S

(12) **United States Design Patent**  
**Nahum-Albright**

(10) **Patent No.:** **US D438,675 S**

(45) **Date of Patent:** **\*\* Mar. 6, 2001**

(54) **MAKEUP CASE**

(75) **Inventor:** **Michelle Victoria Nahum-Albright,**  
Westfield, NJ (US)

(73) **Assignee:** **Elizabeth Arden Co., a division of**  
**Conopco, Inc.,** New York, NY (US)

(\*\*) **Term:** **14 Years**

(21) **Appl. No.:** **29/071,846**

(22) **Filed:** **May 27, 1997**

(51) **LOC (7) Cl.** ..... **28-03**

(52) **U.S. Cl.** ..... **D28/84; D28/83**

(58) **Field of Search** ..... **D28/76-84, 85-91.1;**  
**D9/420, 423; 132/293-307**

(56) **References Cited**

**U.S. PATENT DOCUMENTS**

D. 105,848	*	8/1937	Dunberg	.....	D28/83
D. 291,609	*	8/1987	Bakic	.....	D28/83
D. 321,415	*	11/1991	Chen	.....	D28/80
D. 322,692	*	12/1991	Trabattoni	.....	D28/83
D. 390,459	*	2/1998	King	.....	D9/424
673,550	*	5/1901	Wallace	.....	220/669
1,304,772	*	5/1919	Hotherssall	.....	220/DIG. 26 X
1,460,509	*	7/1923	Wilson	.....	132/296

1,790,586	*	1/1931	Leshin	.....	132/296
1,855,170	*	4/1932	Kasdan et al.	.....	132/298
2,191,680	*	2/1940	Potishman	.....	132/296

\* cited by examiner

*Primary Examiner*—Ted Shooman

*Assistant Examiner*—C Tuttle

(74) *Attorney, Agent, or Firm*—Milton L. Honig

(57) **CLAIM**

The ornamental design of a makeup case, as shown and described.

**DESCRIPTION**

FIG. 1 is a top perspective view of the makeup case showing my new design;

FIG. 2 is a top plan view of the design;

FIG. 3 is a front elevational view of the design; the opposite side of the ring portion appears the same as the side shown, the rear of the depending rectangular surface forming no part of the claimed design; and,

FIG. 4 is a left side elevational view of the design the right side being a mirror image of the side shown.

The portions of the makeup case shown in broken lines are for illustrative purposes only and form no part of the claimed design.

**1 Claim, 1 Drawing Sheet**

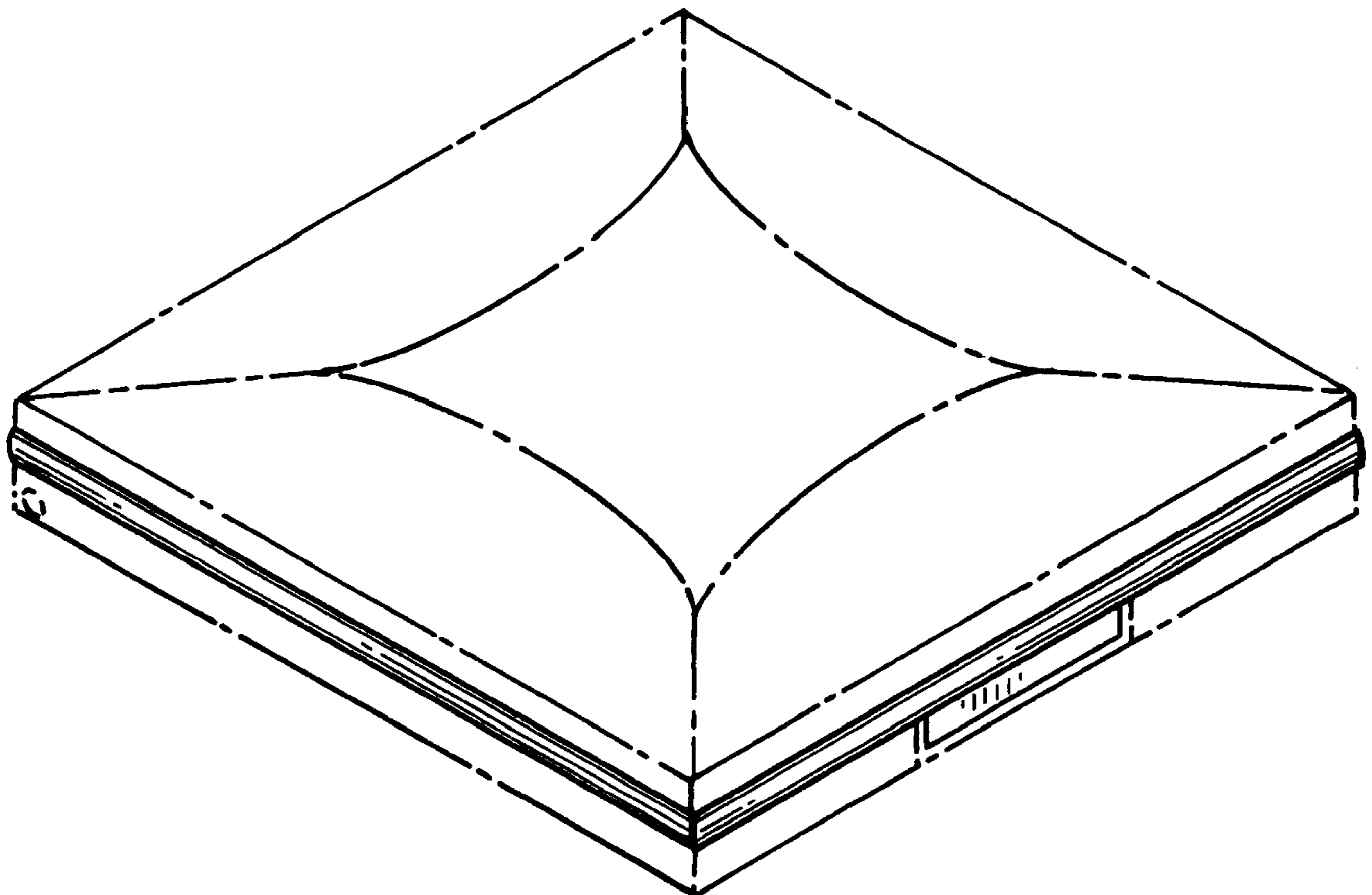


FIG. 1

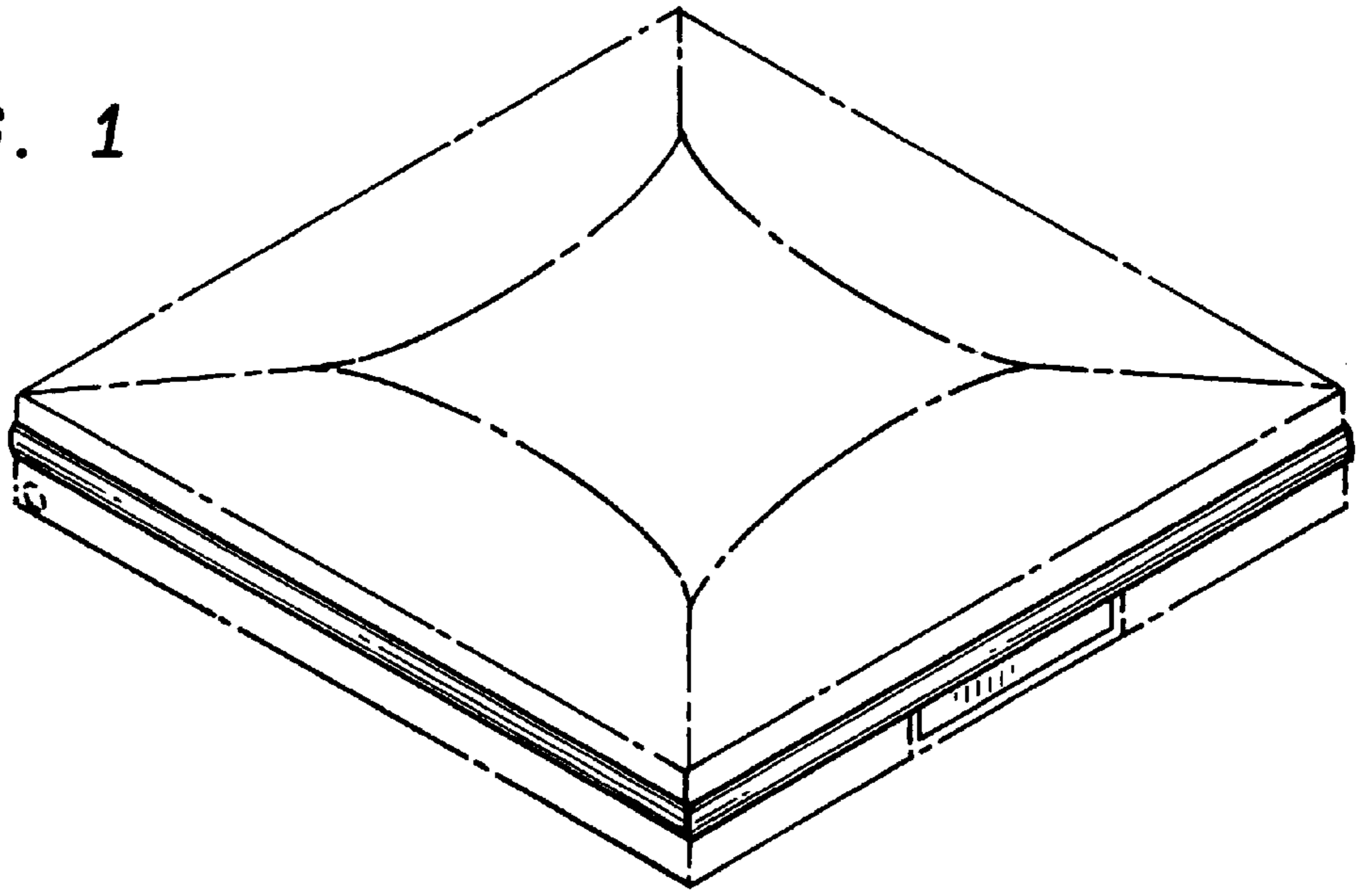


FIG. 2

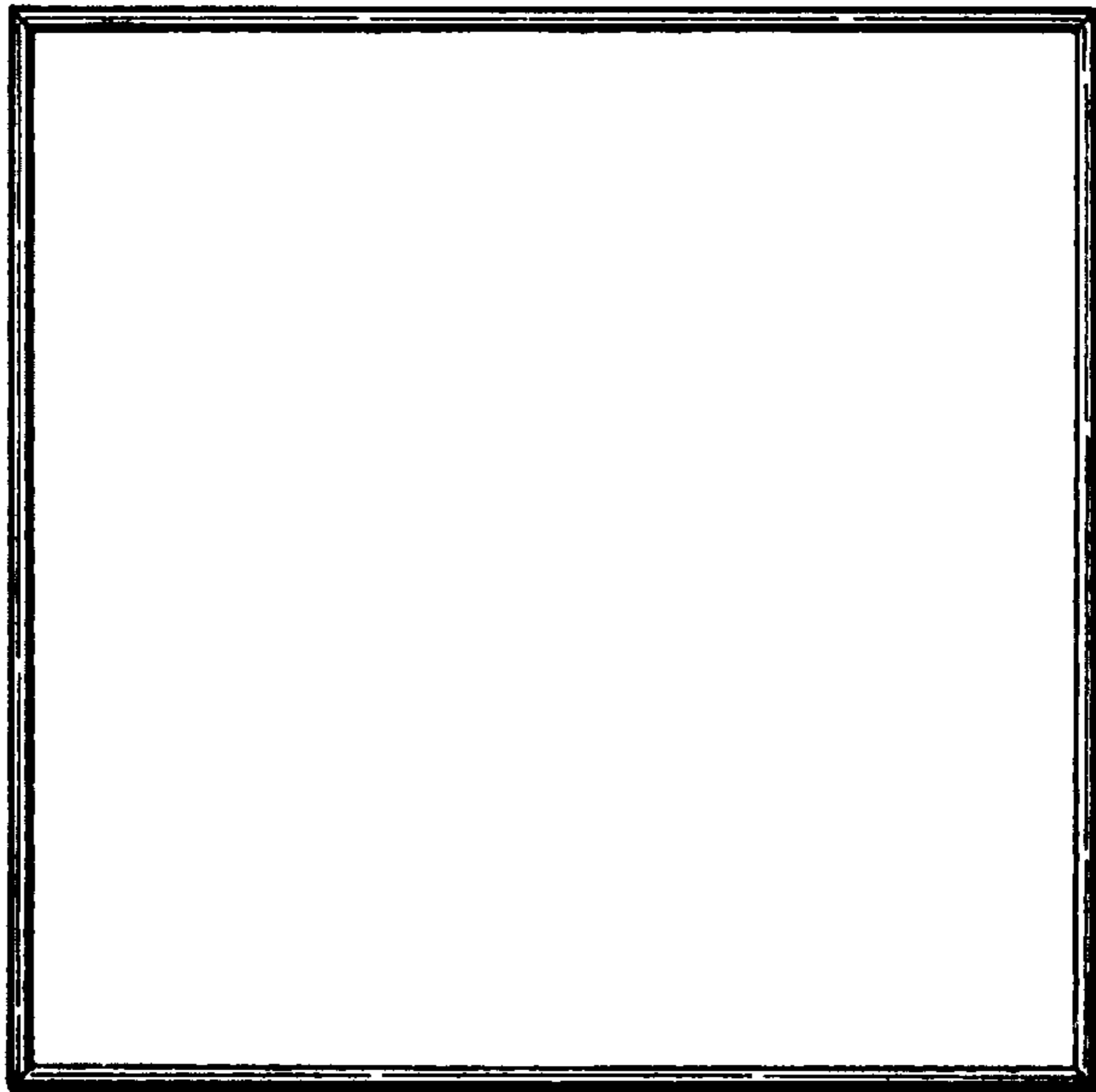


FIG. 3



FIG. 4

