



US00D438674S

(12) **United States Design Patent**  
**Russell**

(10) **Patent No.:** **US D438,674 S**

(45) **Date of Patent:** **\*\* Mar. 6, 2001**

(54) **DISPENSER FOR HAIR ACCESSORIES**

(76) Inventor: **Calese Russell**, 46810 Peckwadsworth Rd., Wellington, OH (US) 44090

(\*\*) Term: **14 Years**

(21) Appl. No.: **29/113,084**

(22) Filed: **Nov. 1, 1999**

(51) **LOC (7) Cl.** ..... **28-03**

(52) **U.S. Cl.** ..... **D28/73**

(58) **Field of Search** ..... D28/73, 74, 76;  
D19/35, 77, 85; D3/304, 307, 308, 309,  
310, 311, 312, 313, 314, 901; D6/455,  
456, 457, 467, 475, 476, 512, 526, 527,  
528, 534, 551; 206/209, 214, 349, 362,  
362.3, 372, 373, 581

(56) **References Cited**

**U.S. PATENT DOCUMENTS**

D. 195,072 \* 4/1963 Kolarik ..... D28/76

D. 242,403 \* 11/1976 Webster ..... D6/457  
D. 286,093 \* 10/1986 Coller ..... D28/76  
D. 314,109 \* 1/1991 Jordan ..... D6/528  
D. 354,862 \* 1/1995 Goldberg ..... D6/461  
D. 354,989 \* 1/1995 West ..... D19/85  
D. 418,947 \* 1/2000 Grener ..... D28/73

\* cited by examiner

*Primary Examiner*—Paula A. Mortimer

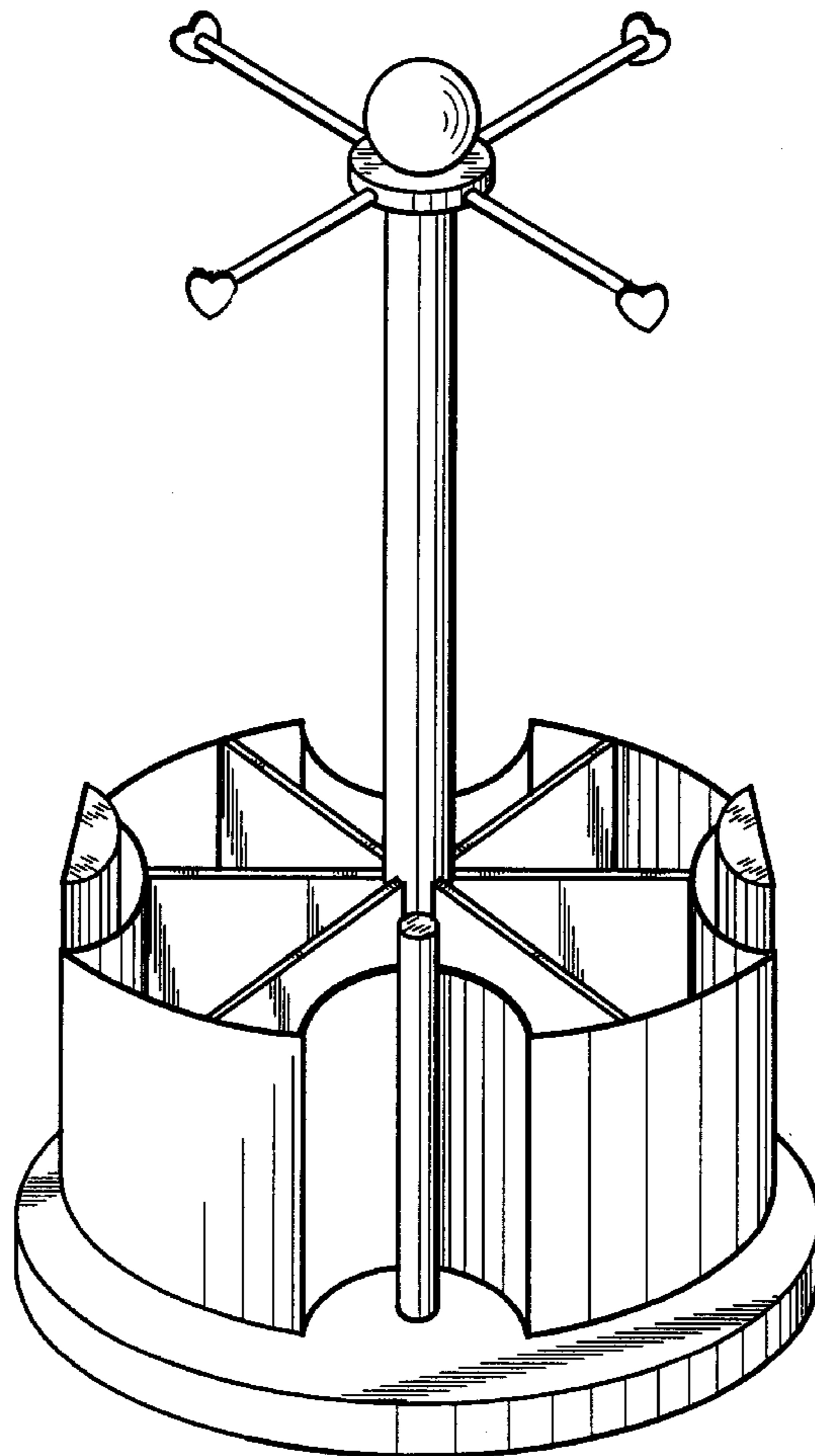
(57) **CLAIM**

The ornamental design for a dispenser for hair accessories, as shown and described.

**DESCRIPTION**

FIG. 1 is a perspective view of my dispenser for hair accessories showing my new design; FIG. 2 is a front elevational view with rear, right and left views being identical thereto; and, FIG. 3 is a top plan view thereof.

**1 Claim, 3 Drawing Sheets**



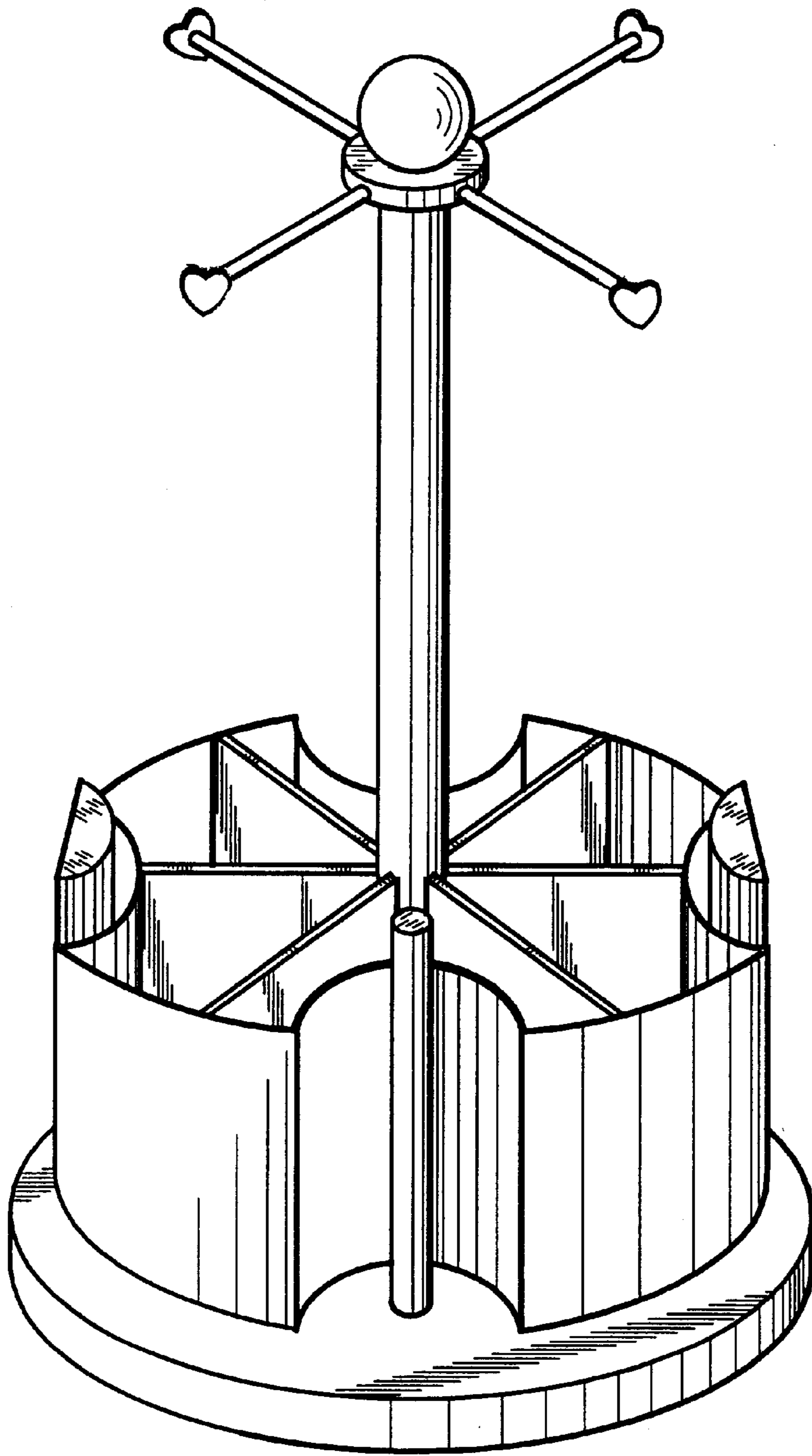
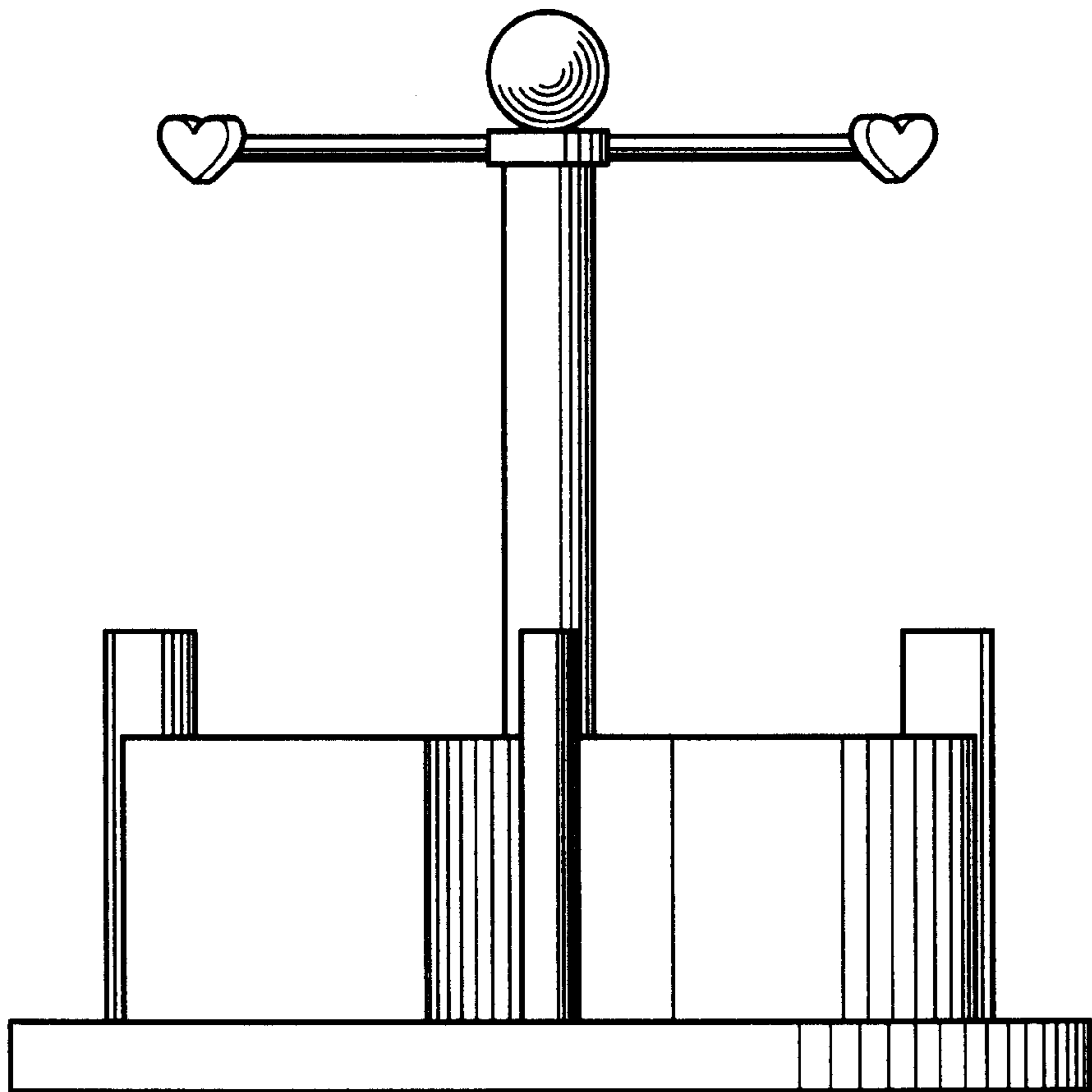
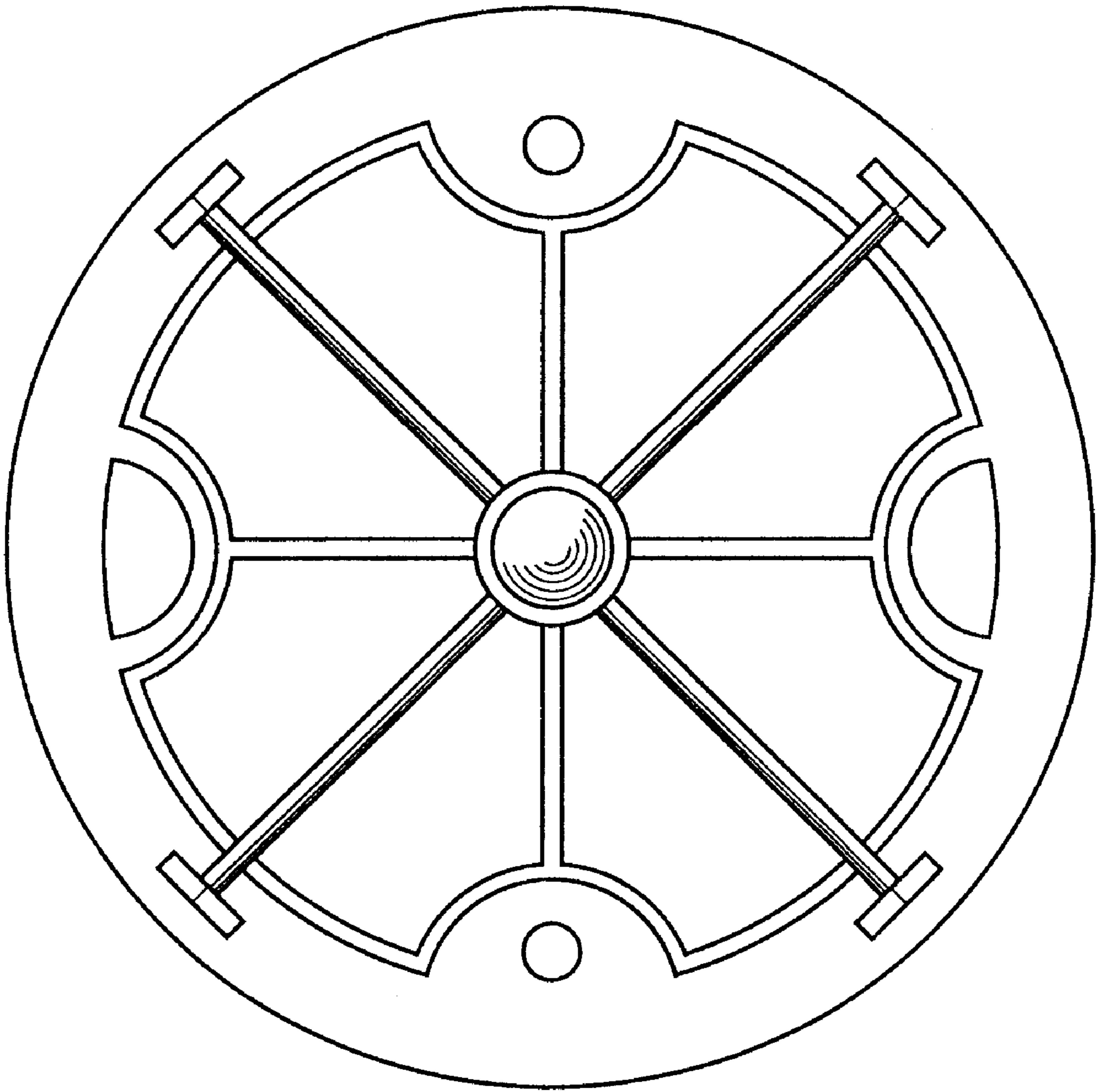


FIG.1



**Fig 2**



**Fig 3**