



US00D438671S

(12) **United States Design Patent**
Angeletta

(10) **Patent No.:** **US D438,671 S**

(45) **Date of Patent:** **** Mar. 6, 2001**

(54) **LIQUID AND LOTION APPLICATOR**

(76) **Inventor:** **Joseph G. Angeletta**, 418 Fifth St.,
Mamaroneck, NY (US) 10543

(**) **Term:** **14 Years**

(21) **Appl. No.:** **29/107,071**

(22) **Filed:** **Jun. 25, 1999**

(51) **LOC (7) Cl.** **28-02**

(52) **U.S. Cl.** **D28/7**

(58) **Field of Search** D28/7, 63; D4/114,
D4/137; D32/45, 51, 52; 132/320; 15/244.1,
244.4, 104, 94; 401/6, 137-139, 183, 196,
202-207, 262-266, 268-291

(56) **References Cited**

U.S. PATENT DOCUMENTS

D. 252,709	*	8/1979	MacFadden	D24/119
D. 371,219	*	6/1996	Bouchez	D4/137
D. 384,436	*	9/1997	Kelley	D4/137
D. 387,704	*	12/1997	Berti	D32/45
D. 394,331	*	5/1998	Price	D4/137
D. 405,555	*	2/1999	De Melo et al.	D28/7
D. 414,005	*	9/1999	Lehnertz	D32/45

D. 417,033	*	11/1999	Sachs et al.	D28/7
5,322,382	*	6/1994	Hull et al.	401/207
5,437,372	*	8/1995	Per-Lee	15/244.4
5,454,659	*	10/1995	Vosbikian et al.	401/207
5,493,749	*	2/1996	Zayas	15/244.1

* cited by examiner

Primary Examiner—Raphael Barkai

(74) *Attorney, Agent, or Firm*—Scully, Scott, Murphy & Presser

(57) **CLAIM**

The ornamental design for a liquid and lotion applicator, as shown and described.

DESCRIPTION

FIG. 1 is a top plan view of the liquid and lotion applicator showing my new design;

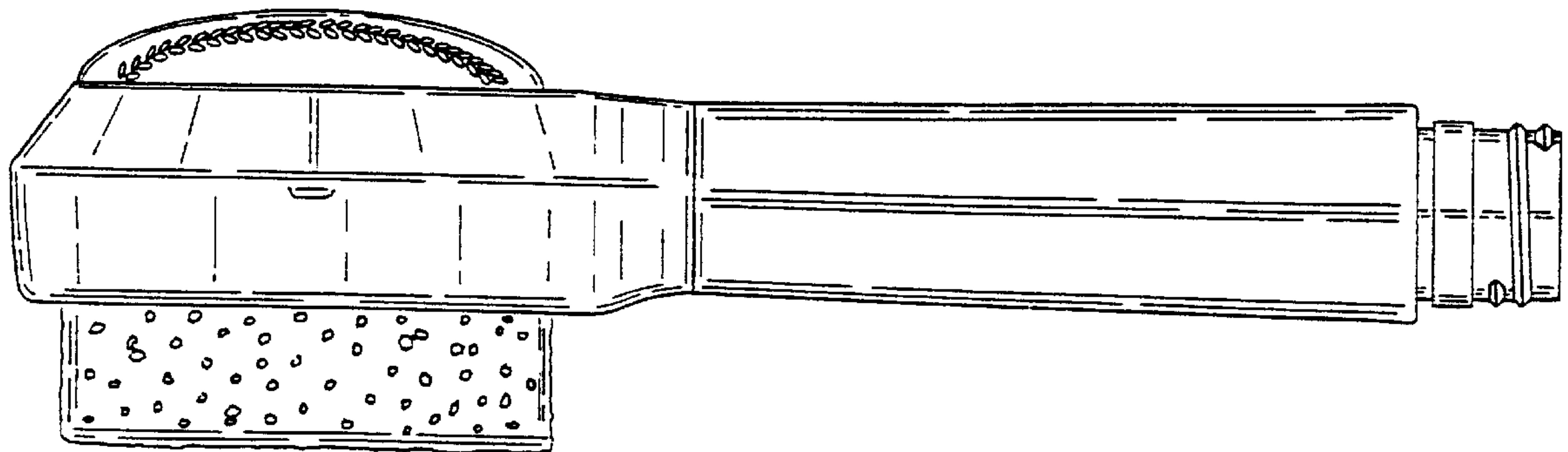
FIG. 2 is a side view thereof, the side opposite being a mirror image thereof;

FIG. 3 is a bottom view thereof;

FIG. 4 is a top plan view of a modified embodiment of the design shown in FIGS. 1-3; and,

FIG. 5 is a side view thereof, the side opposite being a mirror image thereof.

1 Claim, 3 Drawing Sheets



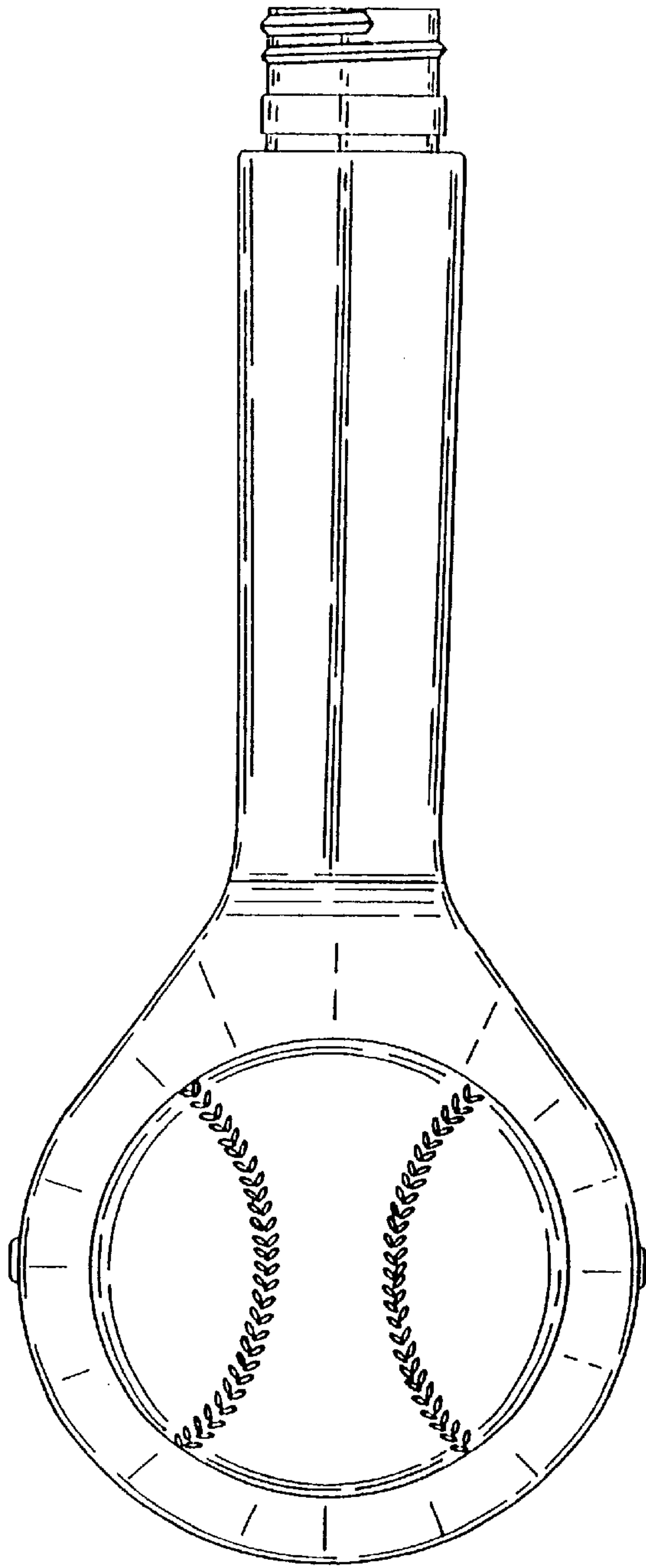


FIG. 1

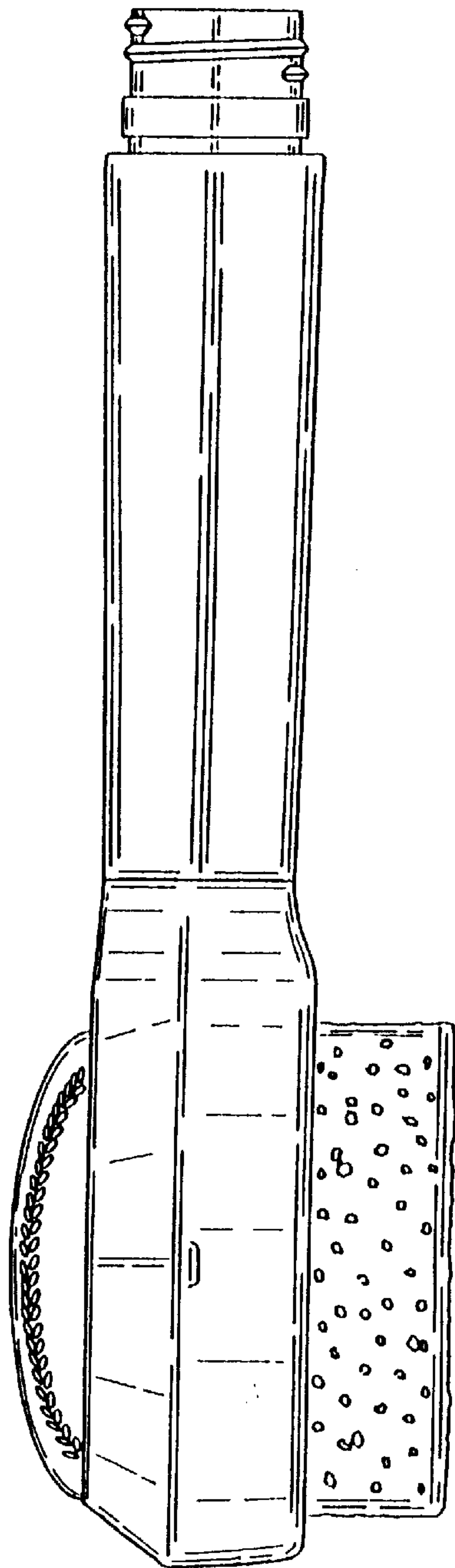


FIG. 2

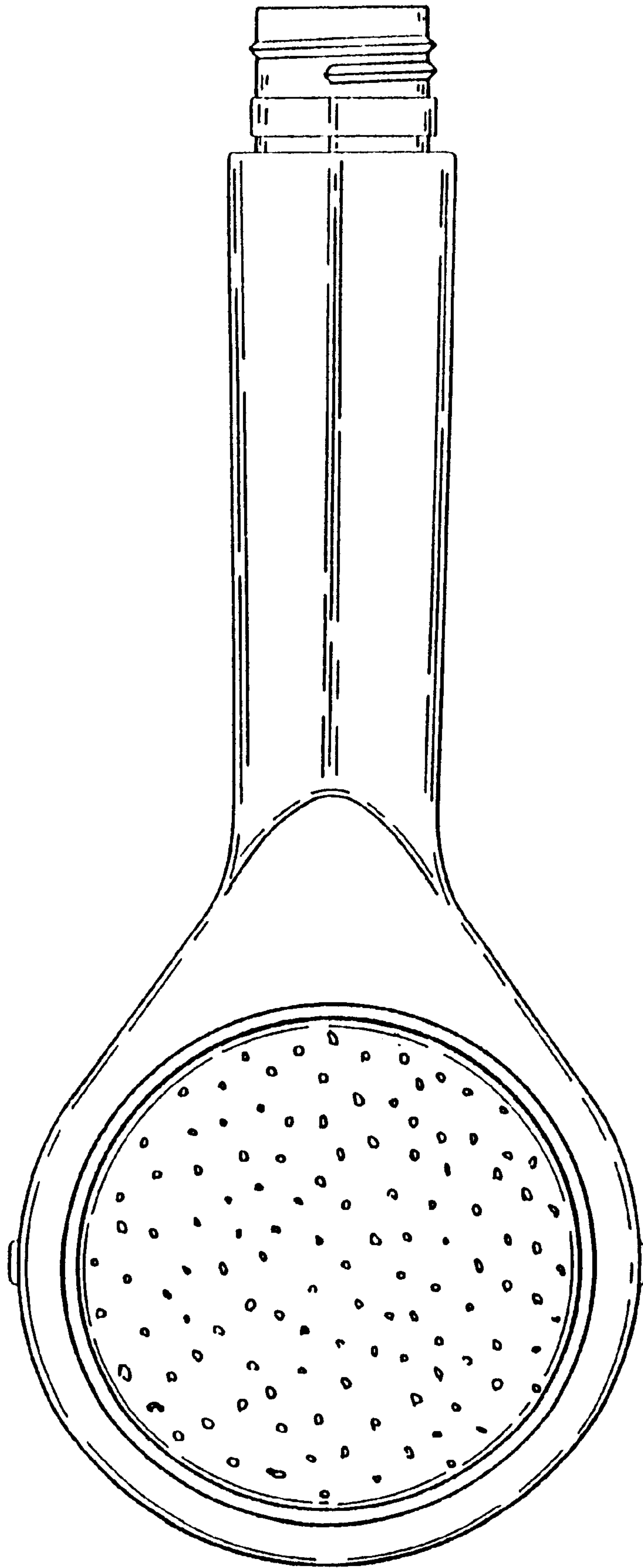


FIG. 3

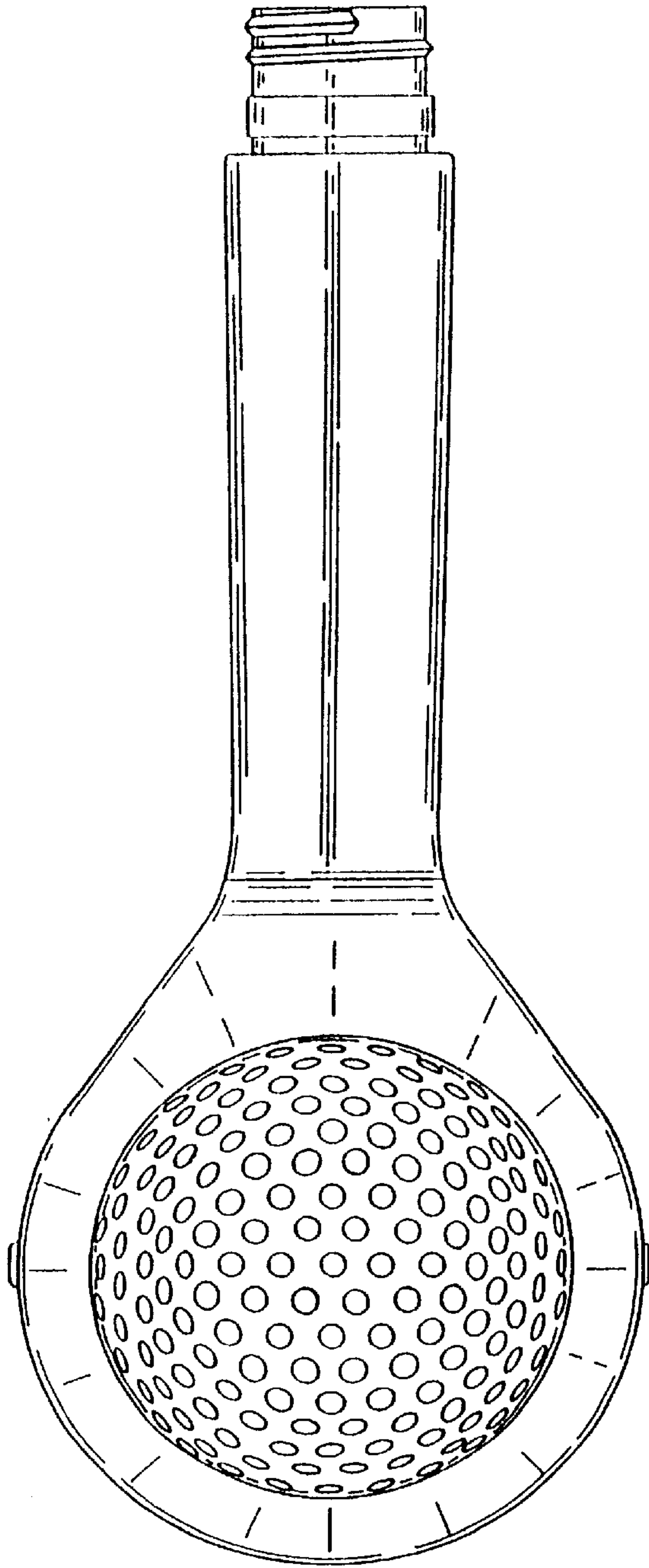


FIG. 4

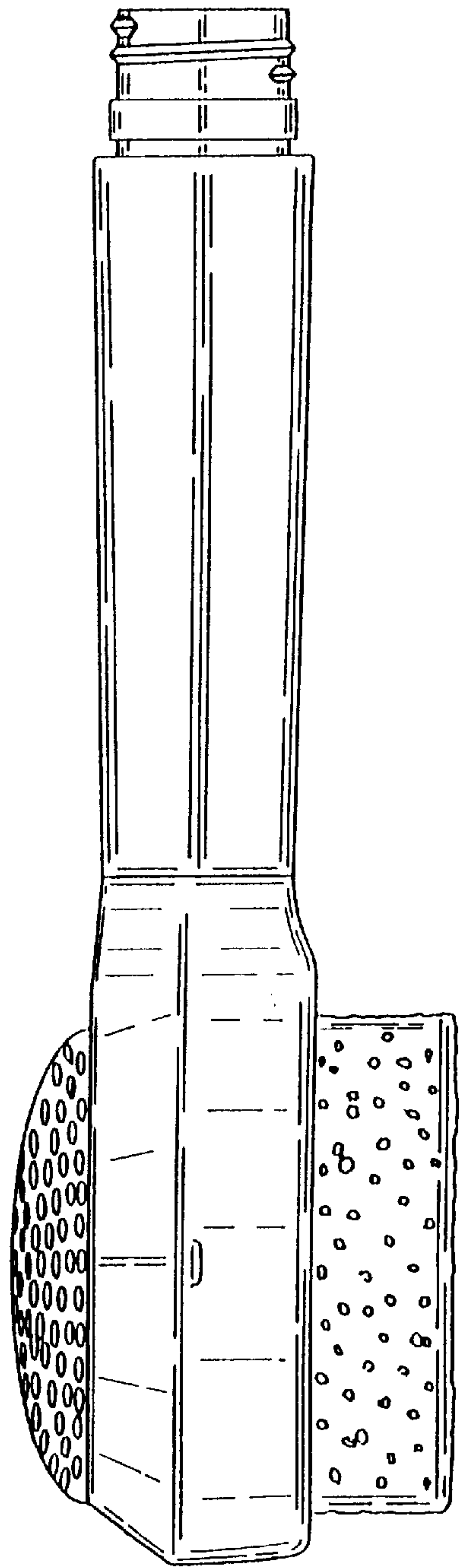


FIG. 5