



US00D438667S

(12) **United States Design Patent**
Leen

(10) **Patent No.:** **US D438,667 S**

(45) **Date of Patent:** **** Mar. 6, 2001**

(54) **WORK LIGHT FRAME**

(76) Inventor: **Monte A. Leen**, 1804 W. Lake
Sammamish Pkwy. NE., Bellevue, WA
(US) 98008

(**) Term: **14 Years**

(21) Appl. No.: **29/100,155**

(22) Filed: **Feb. 5, 1999**

(51) **LOC (7) Cl.** **26-99**

(52) **U.S. Cl.** **D26/113**

(58) **Field of Search** D26/60-66, 118;
362/267, 271, 272, 275, 276, 288, 427,
428, 429, 260, 240

(56) **References Cited**

U.S. PATENT DOCUMENTS

D. 348,743	*	7/1994	Leen et al.	D26/60
D. 357,548	*	4/1995	Mattijssen	D26/63
4,390,114	*	6/1983	Sviatoslavsky et al.	362/275 X
4,709,305	*	11/1987	McMahan et al.	362/267
5,984,490	*	11/1999	Leen	362/240

OTHER PUBLICATIONS

Spero lighting catalog, Jan. 1998, p. C-12, floodlight frame, series QF.*

Taiwan Lighting, Aug. 1997, p. 173, floodlight frame, #CQ-150A.*

* cited by examiner

Primary Examiner—Susan J. Lucas

(74) *Attorney, Agent, or Firm*—Dean A. Craine

(57) **CLAIM**

The ornamental design for a work light frame, as shown and described.

DESCRIPTION

FIG. 1 is an isometric view of a work light frame showing one embodiment of my new design;

FIG. 2 is a front elevational view of FIG. 1;

FIG. 3 is a side elevational view of FIG. 1;

FIG. 4 is a top plan view of FIG. 1;

FIG. 5 is a bottom plan view of FIG. 1;

FIG. 6 is a back elevational view of FIG. 1;

FIG. 7 is an isometric view of a work light frame showing an alternative embodiment of my new design;

FIG. 8 is a top plan view of FIG. 7;

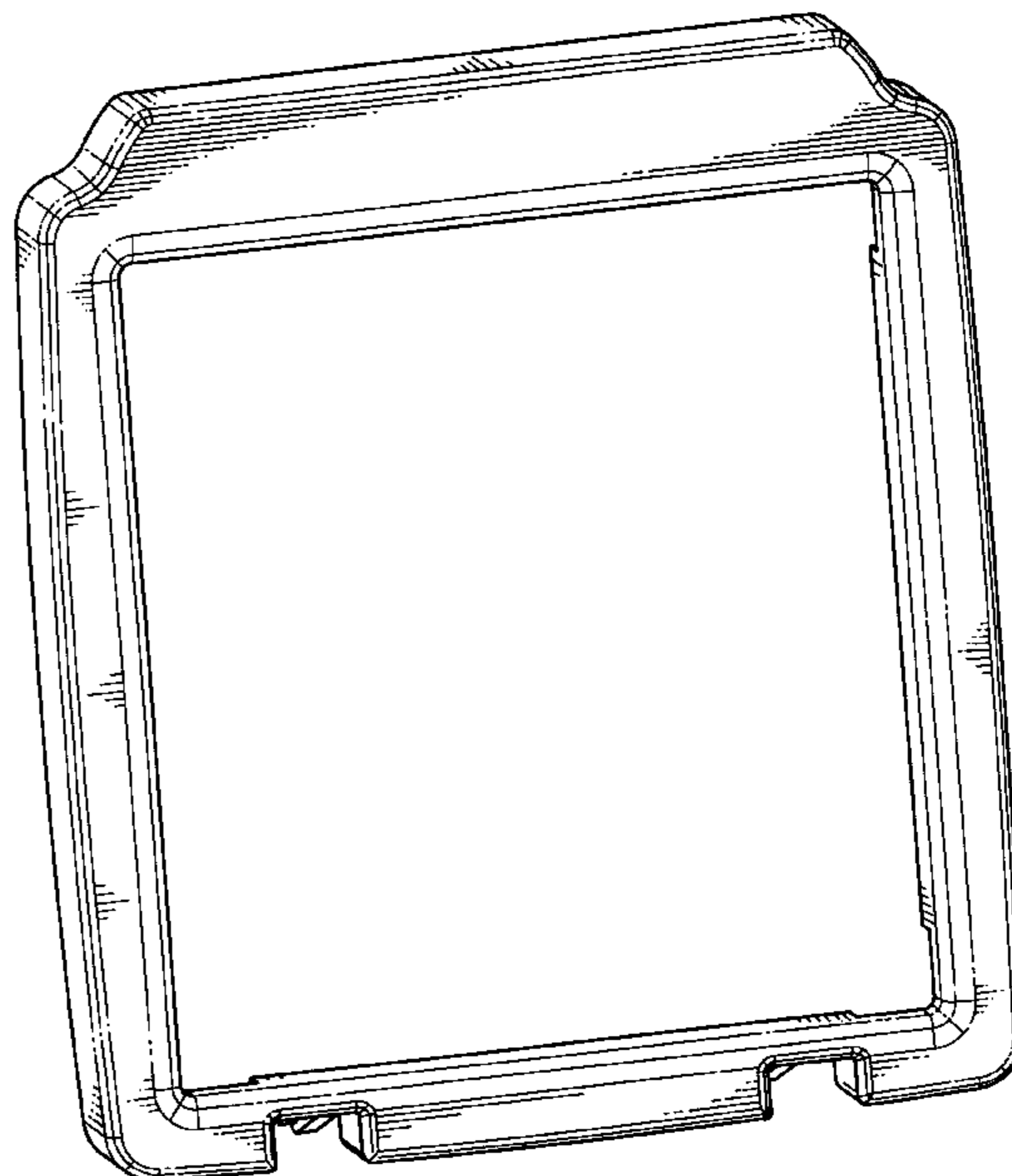
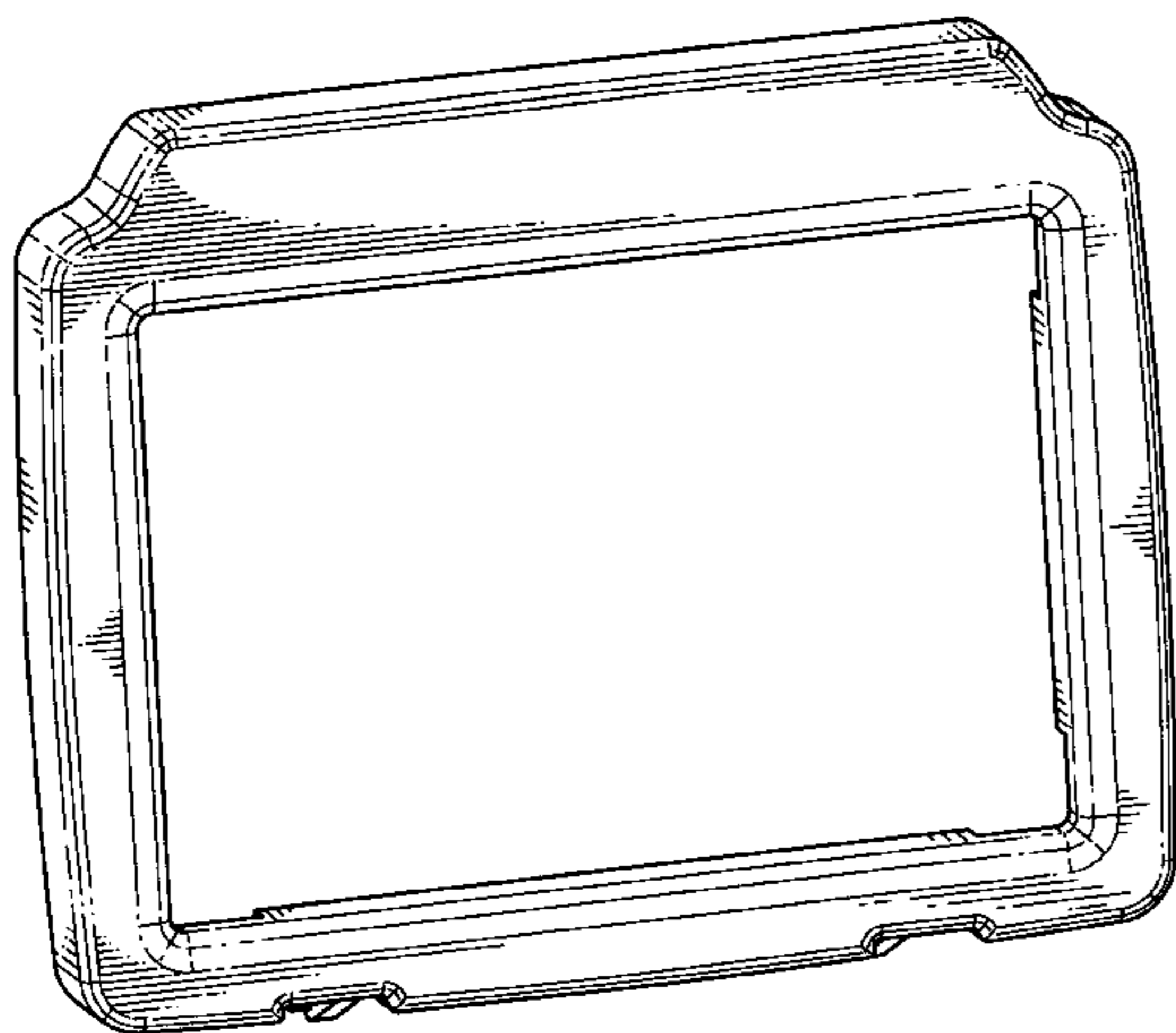
FIG. 9 is a bottom plan view of FIG. 7;

FIG. 10 is a front elevational view of FIG. 7;

FIG. 11 is a side elevational view of FIG. 7; and,

FIG. 12 is a back elevational view of FIG. 7.

1 Claim, 4 Drawing Sheets



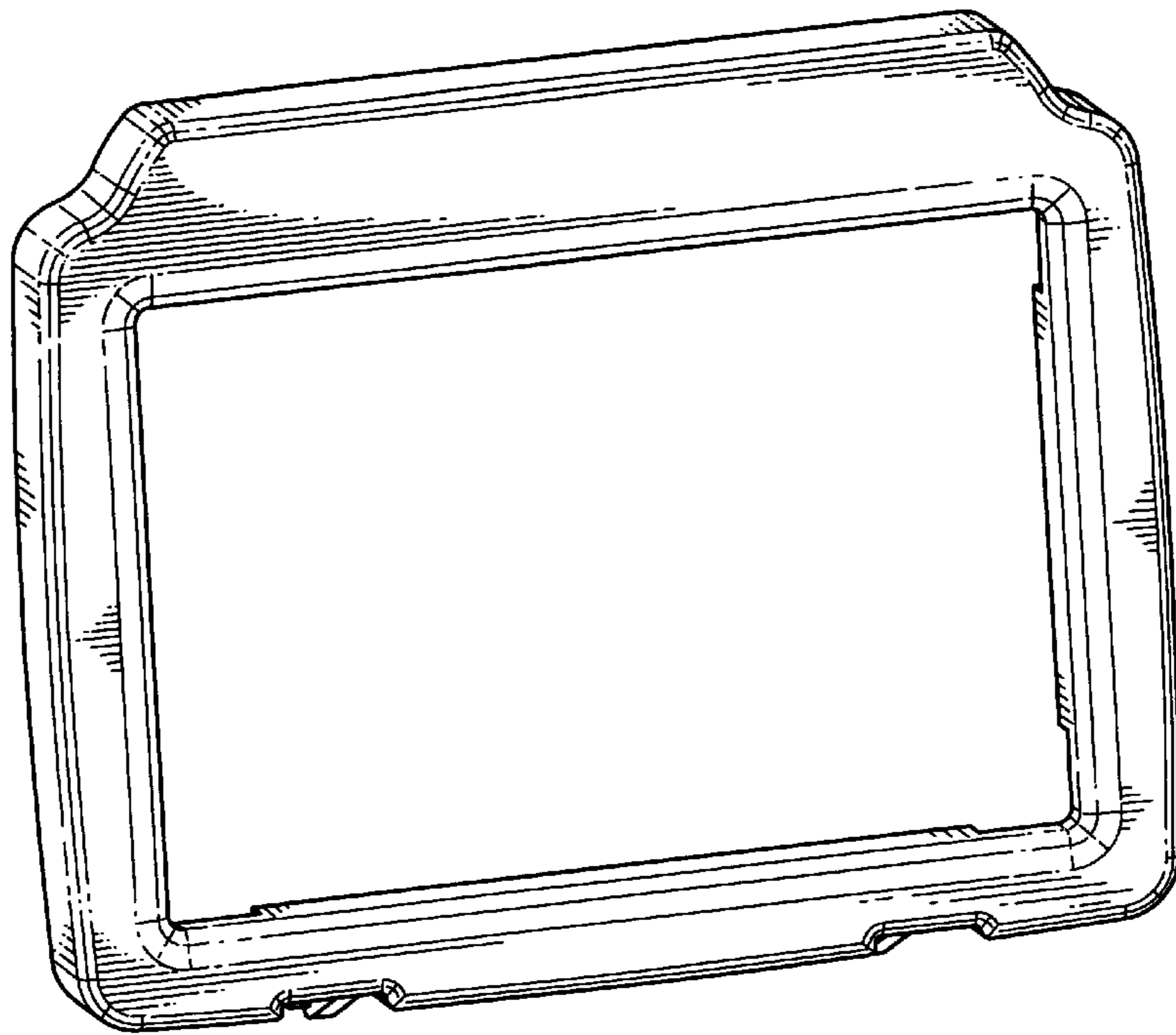


Fig. 1

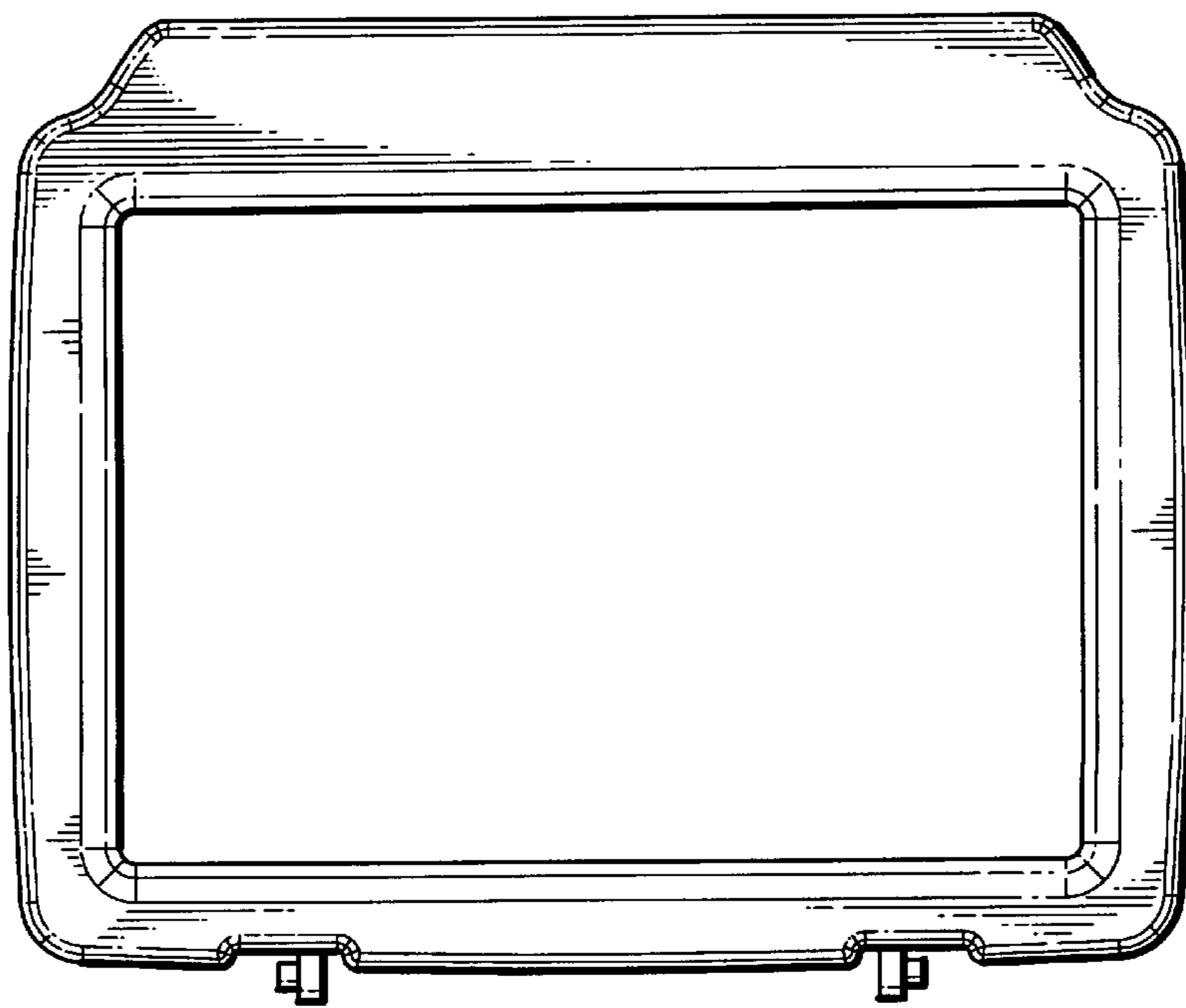


Fig. 2

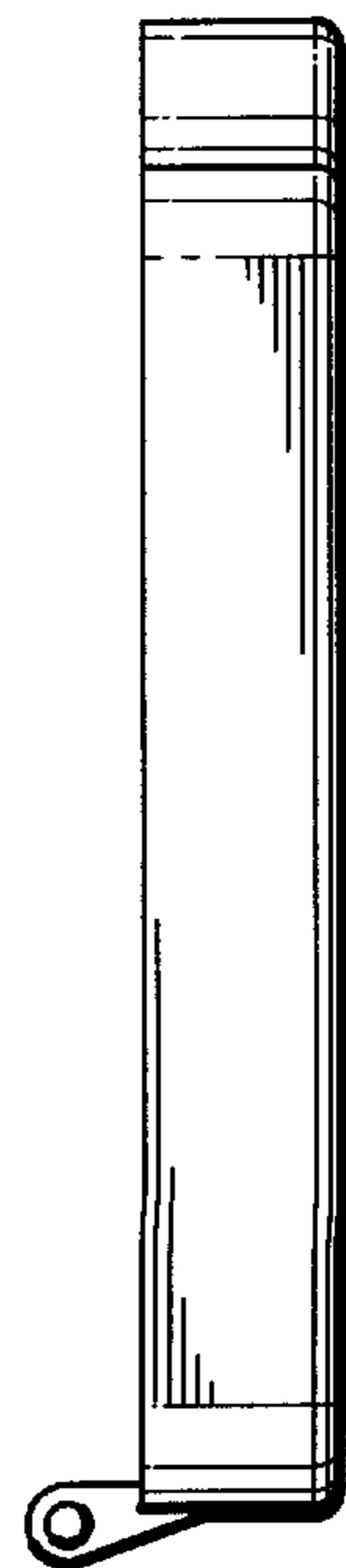


Fig. 3

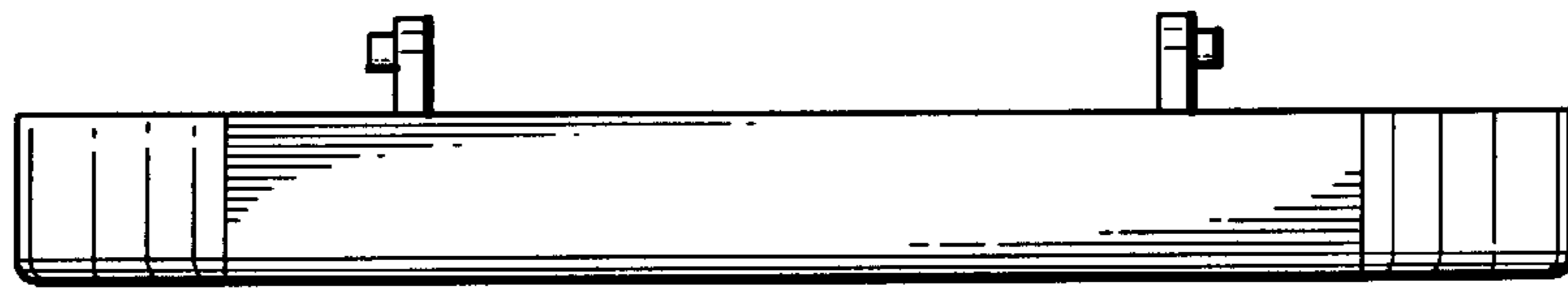


Fig. 4

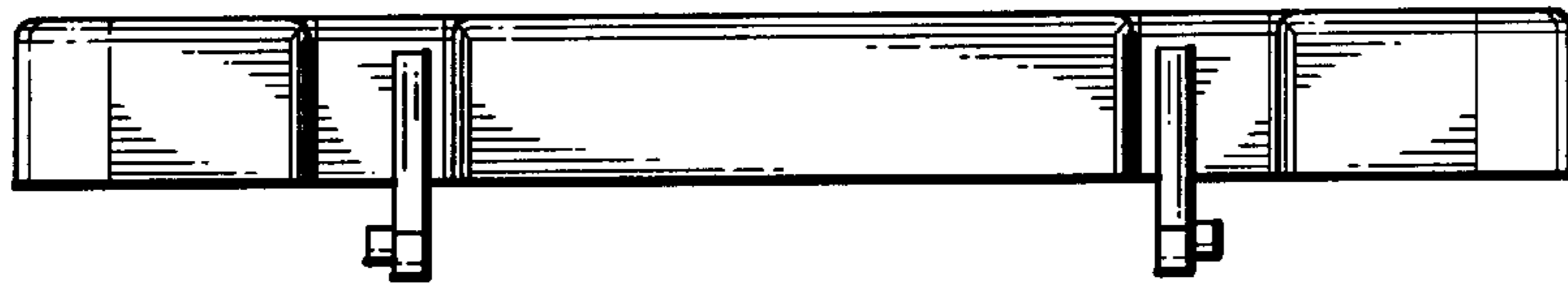


Fig. 5

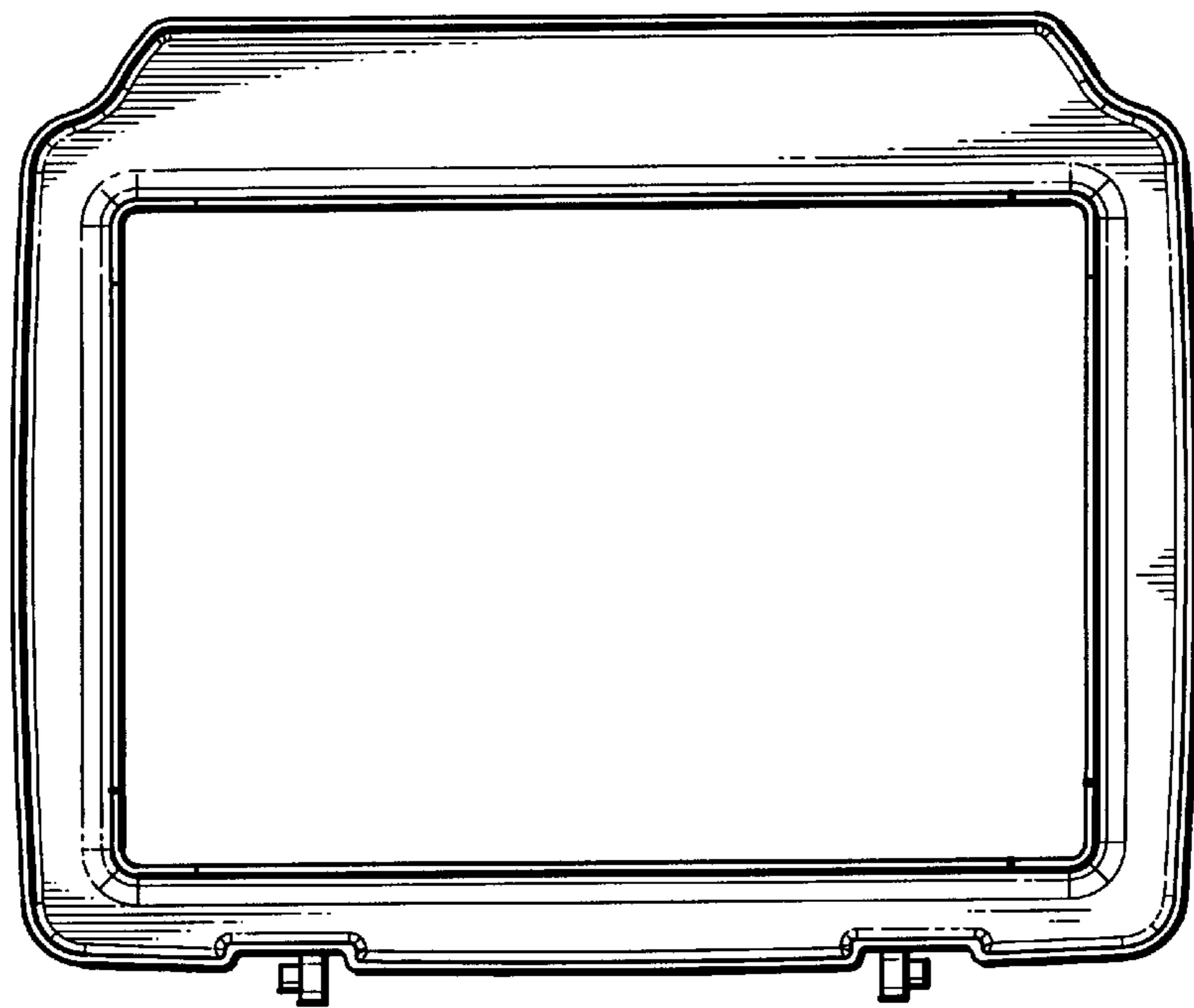


Fig. 6

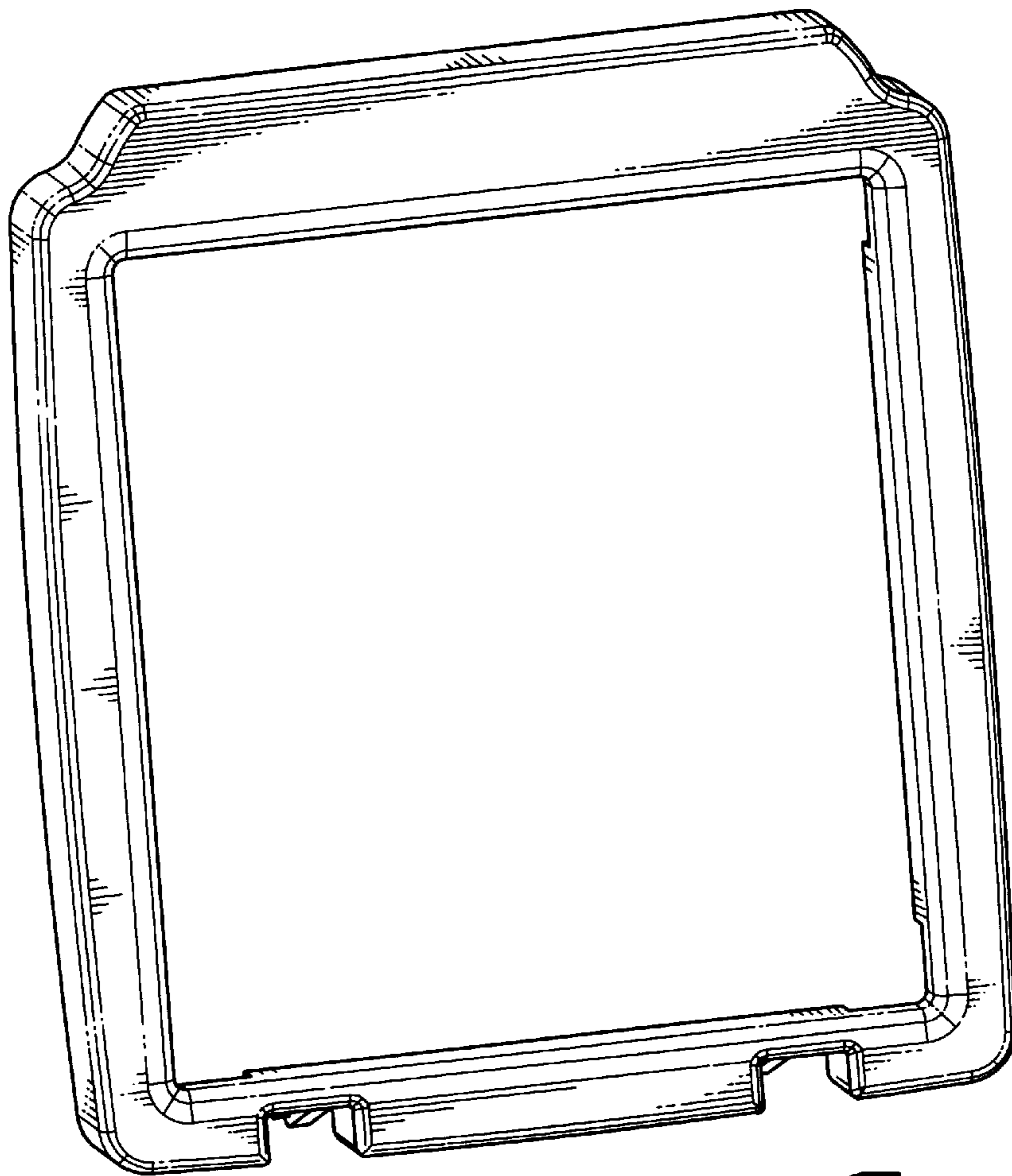


Fig. 7

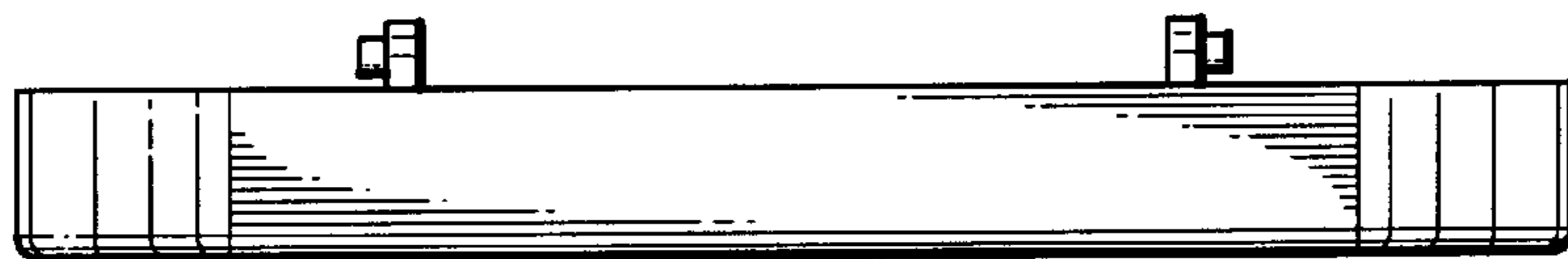


Fig. 8

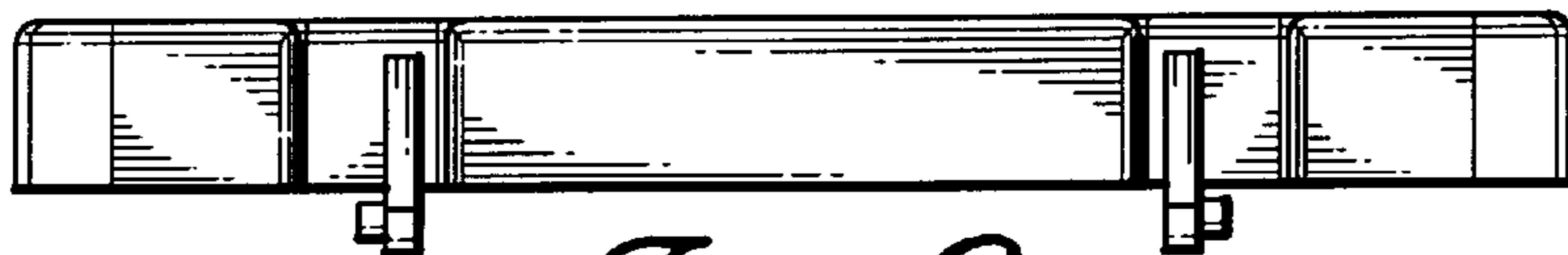


Fig. 9

Fig. 10

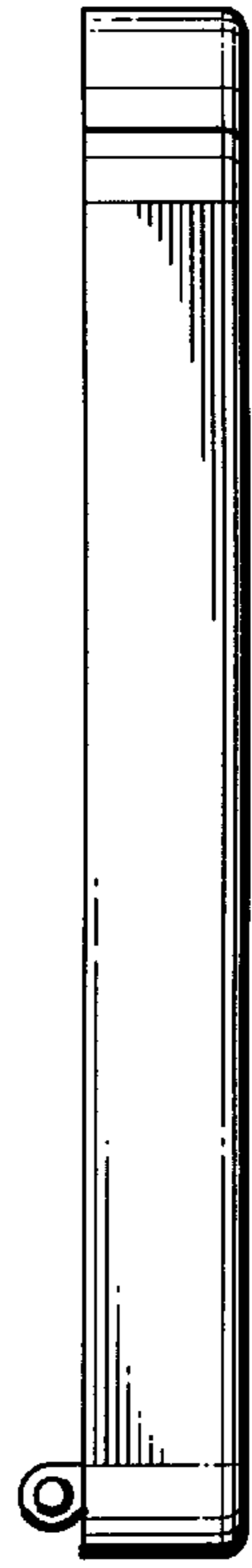
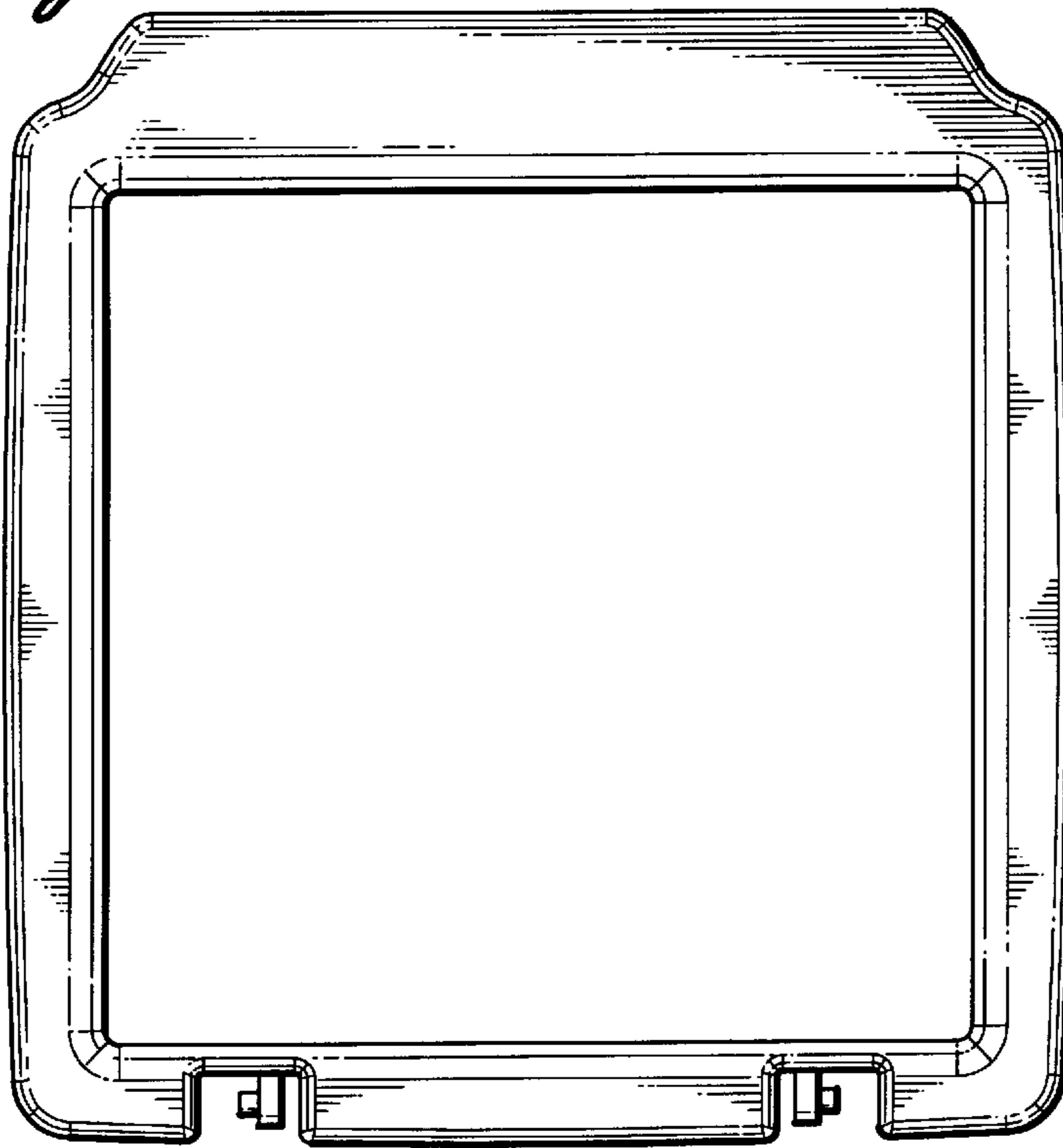


Fig. 11

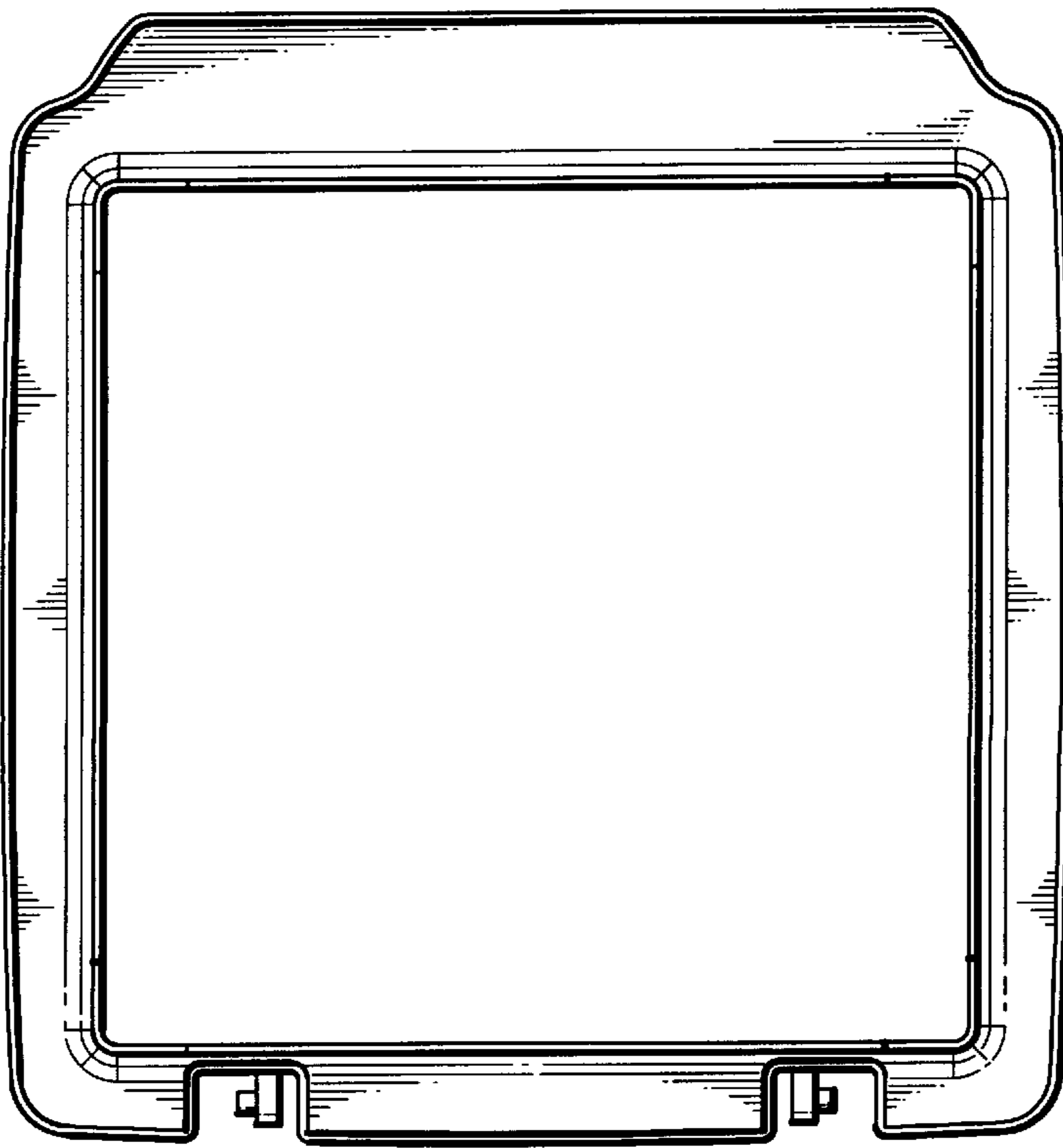


Fig. 12