



US00D438664S

(12) **United States Design Patent**  
**Lewis**

(10) **Patent No.:** **US D438,664 S**

(45) **Date of Patent:** **\*\* Mar. 6, 2001**

(54) **CHANDELIER**

(76) **Inventor:** **Sally Sirkin Lewis**, 715 Canon Dr.,  
Beverly Hills, CA (US) 90210

(\*\*) **Term:** **14 Years**

(21) **Appl. No.:** **29/110,651**

(22) **Filed:** **Sep. 10, 1999**

(51) **LOC (7) Cl.** ..... **26-05**

(52) **U.S. Cl.** ..... **D26/86**

(58) **Field of Search** ..... D26/72, 80-92;  
362/147, 405-407

(56) **References Cited**

**PUBLICATIONS**

Home Lighting and Accessories, Sep. 1999, p. 177, chandelier.\*

Home Lighting and Accessories, Dec. 1997, p. 63, chandelier.\*

Majestic lighting catalog, Jun. 1960, chandelier # 378.\*

Starlight lighting catalog, 1982, p. 29, chandelier # SL-8196.\*

\* cited by examiner

*Primary Examiner*—Susan J. Lucas

(74) *Attorney, Agent, or Firm*—Finnegan, Henderson, Farabow, Garrett, & Dunner, L.L.P.

(57) **CLAIM**

The ornamental design for a chandelier, as shown and described.

**DESCRIPTION**

FIG. 1 is a front perspective view of the chandelier of my design;

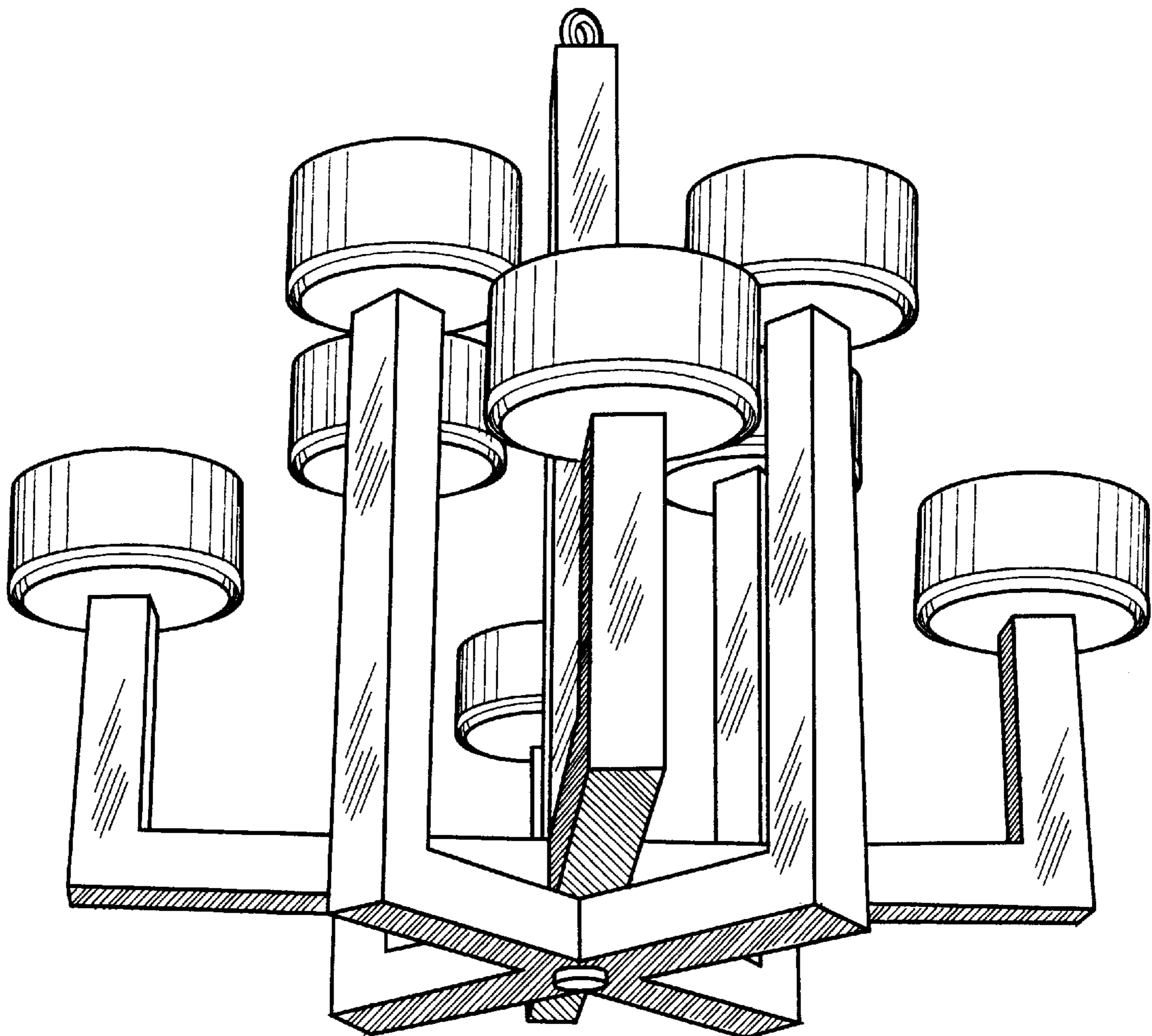
FIG. 2 is a top view of the chandelier;

FIG. 3 is a bottom view of the chandelier; and,

FIG. 4 is a side view of the chandelier (the other side of the chandelier is a mirror image of this view and is not shown).

The broken lines are shown in FIG. 2 for illustrative purposes only and form no part of the claimed design.

**1 Claim, 4 Drawing Sheets**



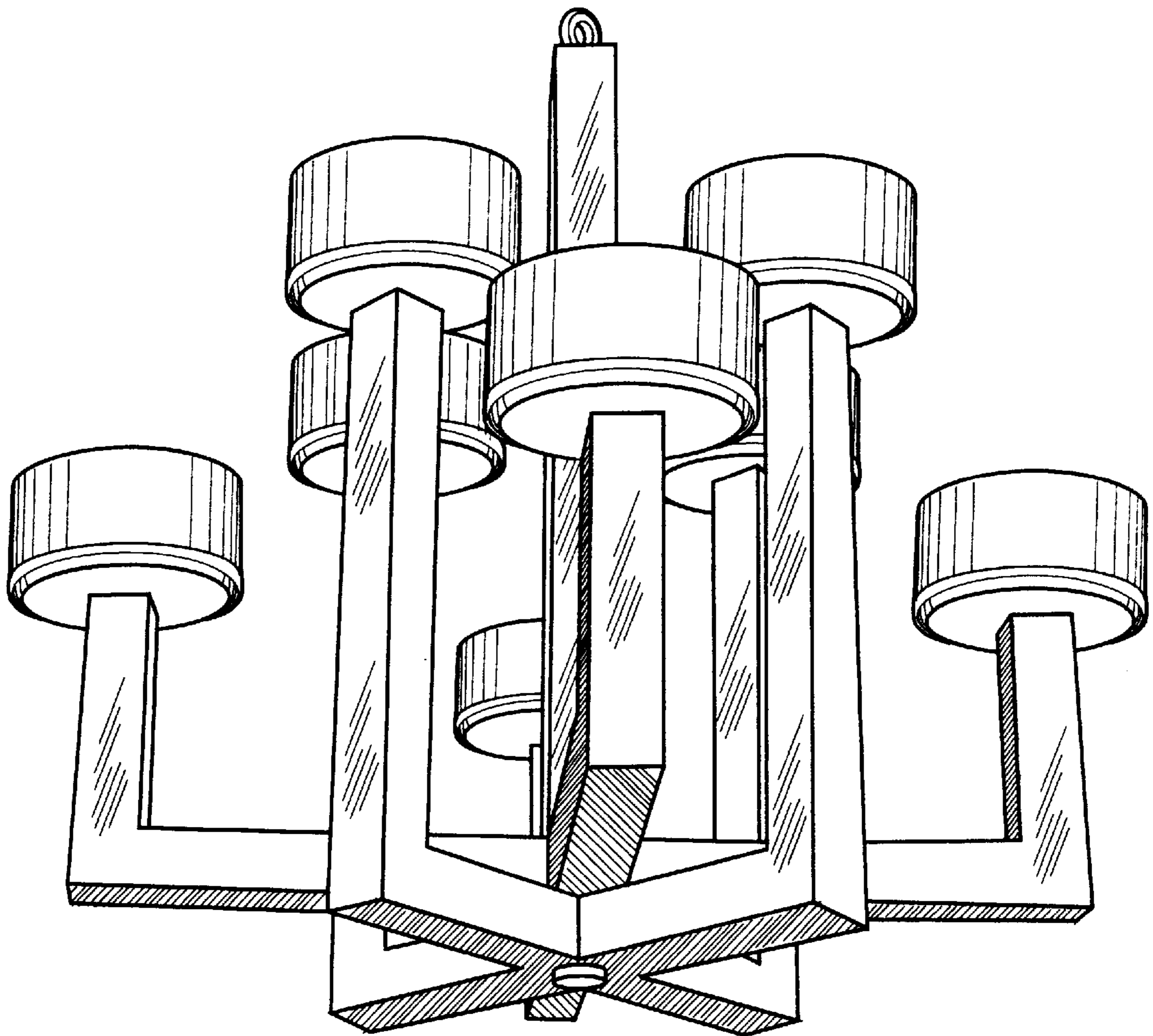


Fig. 1

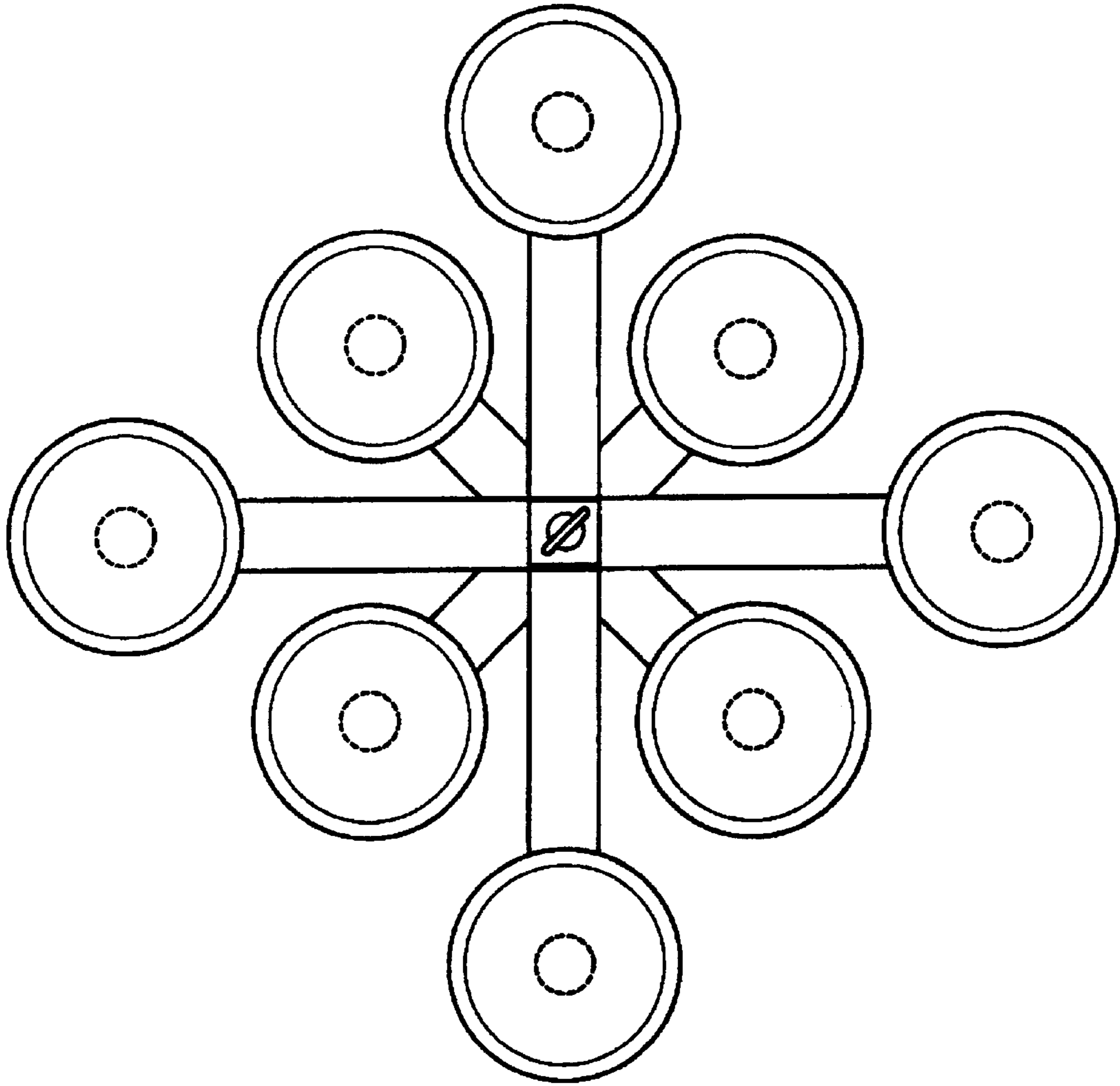


Fig. 2

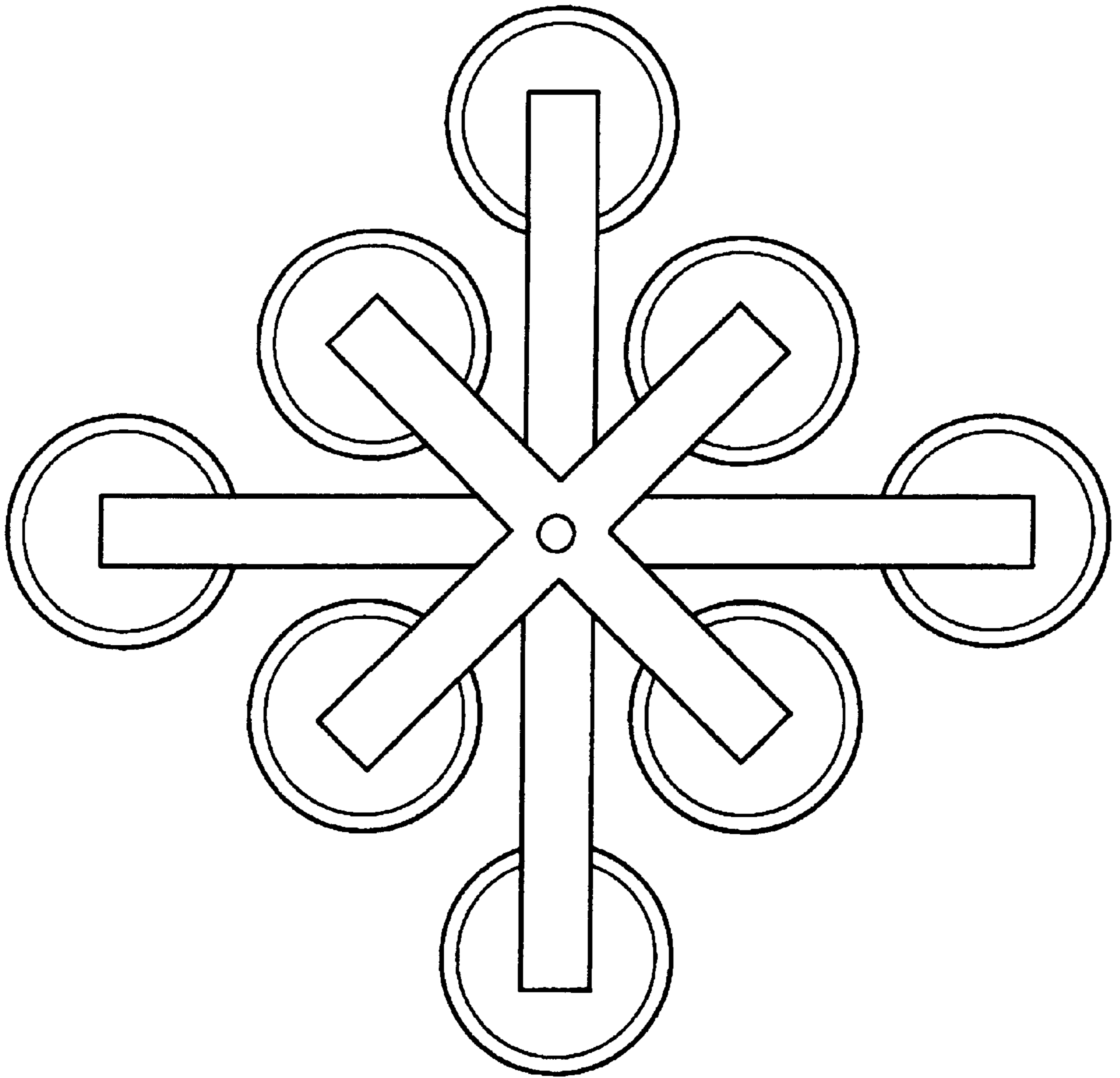


Fig. 3

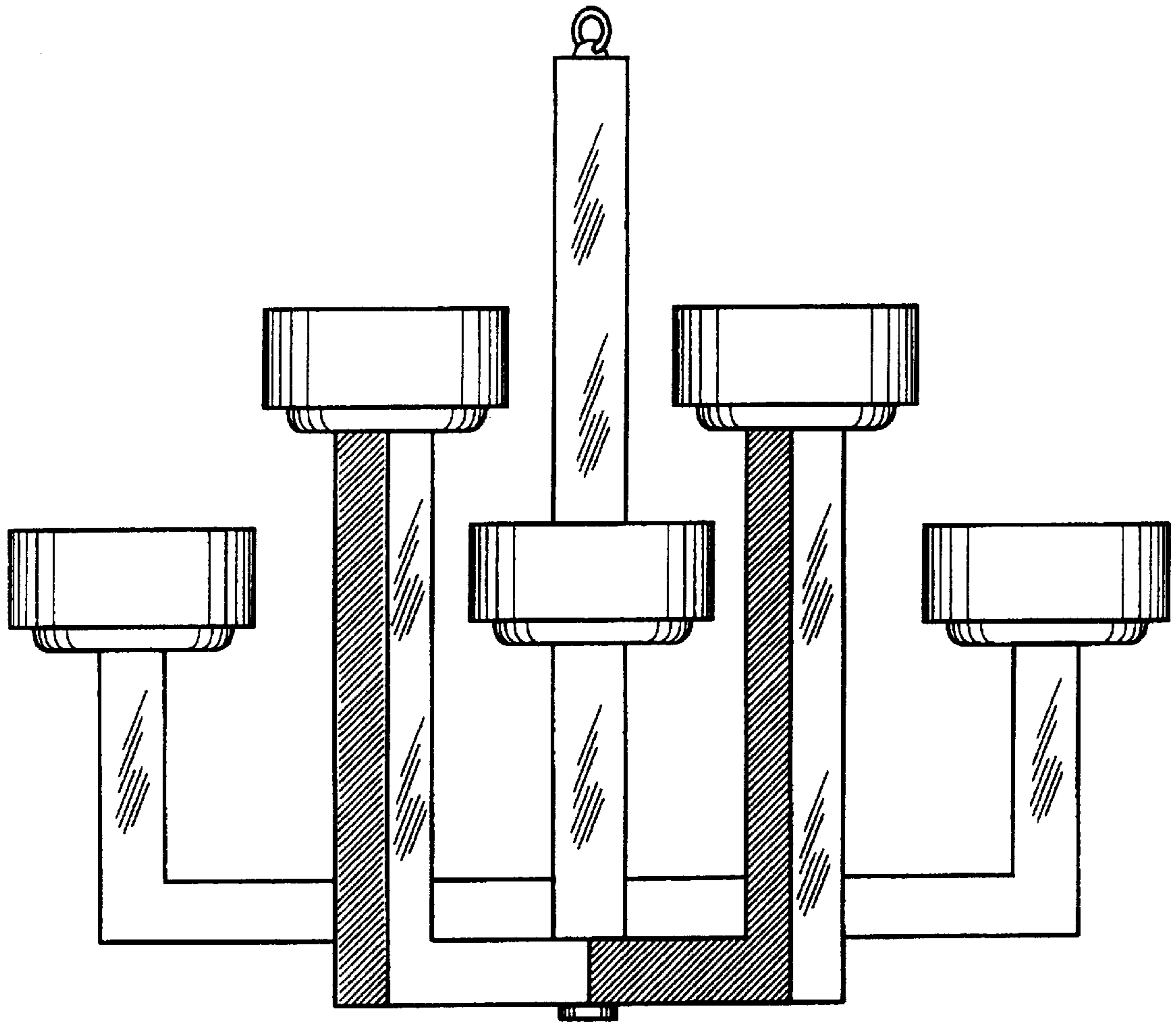


Fig. 4