



US00D438659S

(12) **United States Design Patent**
Lornat

(10) **Patent No.:** **US D438,659 S**

(45) **Date of Patent:** **** Mar. 6, 2001**

(54) **BEDSIDE READING LIGHT**

(75) **Inventor:** **Marc Lornat, Saint Maure Des Fosses (FR)**

(73) **Assignee:** **Marketing Light Export, Paris (FR)**

(**) **Term:** **14 Years**

(21) **Appl. No.:** **29/111,426**

(22) **Filed:** **Sep. 27, 1999**

(30) **Foreign Application Priority Data**

Apr. 1, 1999 (FR) 99 2214

(51) **LOC (7) Cl.** **26-05**

(52) **U.S. Cl.** **D26/62**

(58) **Field of Search** D26/60-66, 87,
D26/92; 362/267, 269, 271, 272, 282, 287,
418, 419, 427, 432

(56) **References Cited**

U.S. PATENT DOCUMENTS

D. 48,158 * 11/1915 Morrell D26/92

D. 105,173 * 6/1937 Hildebrand D26/92
3,277,292 * 10/1966 Horan D26/87 X
4,692,850 * 9/1987 LeDoux 362/427

* cited by examiner

Primary Examiner—Susan J. Lucas

(74) *Attorney, Agent, or Firm*—Alfred M. Walker

(57) **CLAIM**

The ornamental design for a bedside reading light, as shown and described.

DESCRIPTION

FIG. 1 is a perspective view of a bedside reading light, showing my new design;

FIG. 2 is a left side elevation view thereof;

FIG. 3 is a right side elevation view thereof;

FIG. 4 is a top plan view thereof;

FIG. 5 is a bottom view thereof;

FIG. 6 is a front elevational view thereof; and,

FIG. 7 is a rear view thereof.

1 Claim, 4 Drawing Sheets

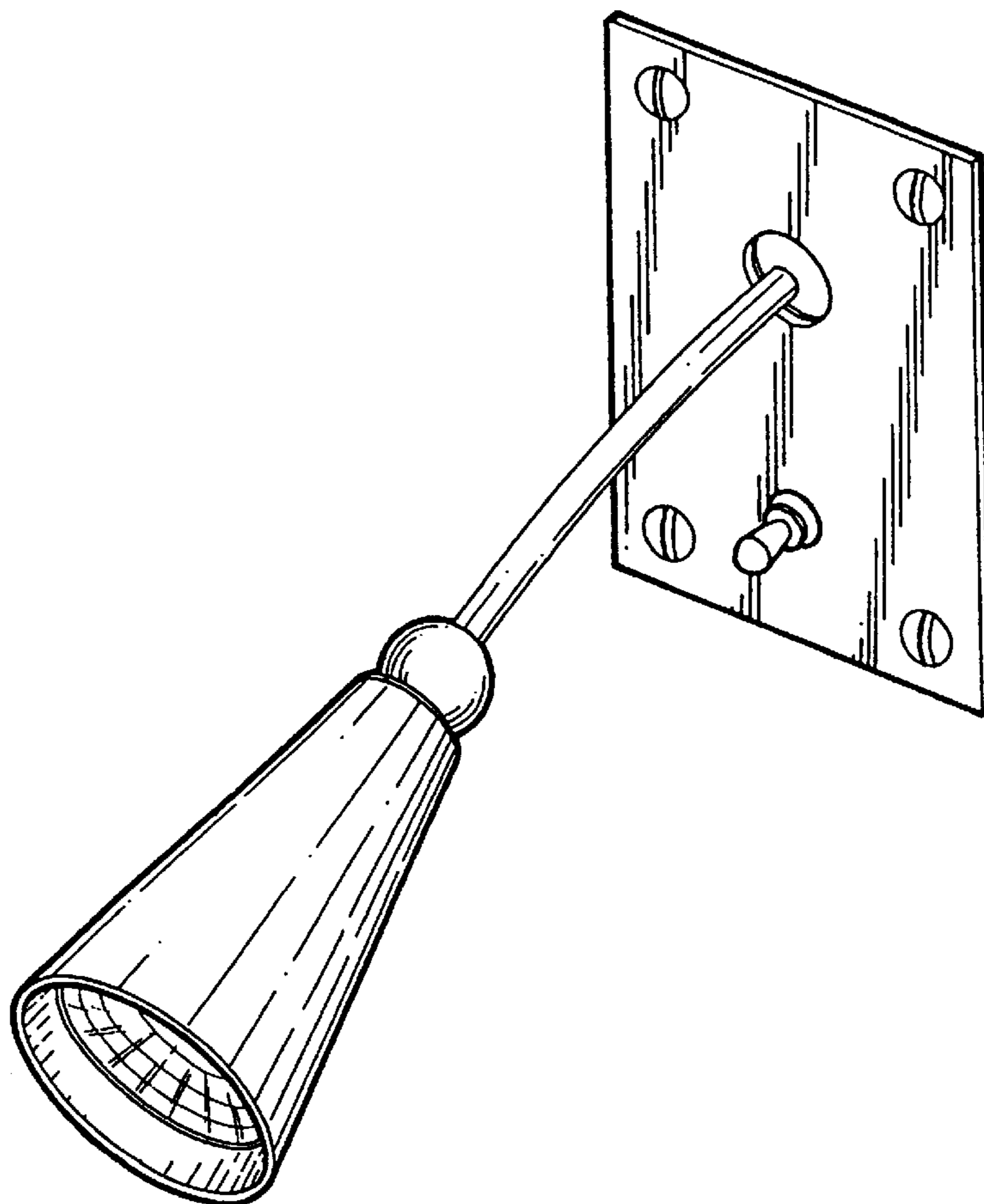


FIG. 1

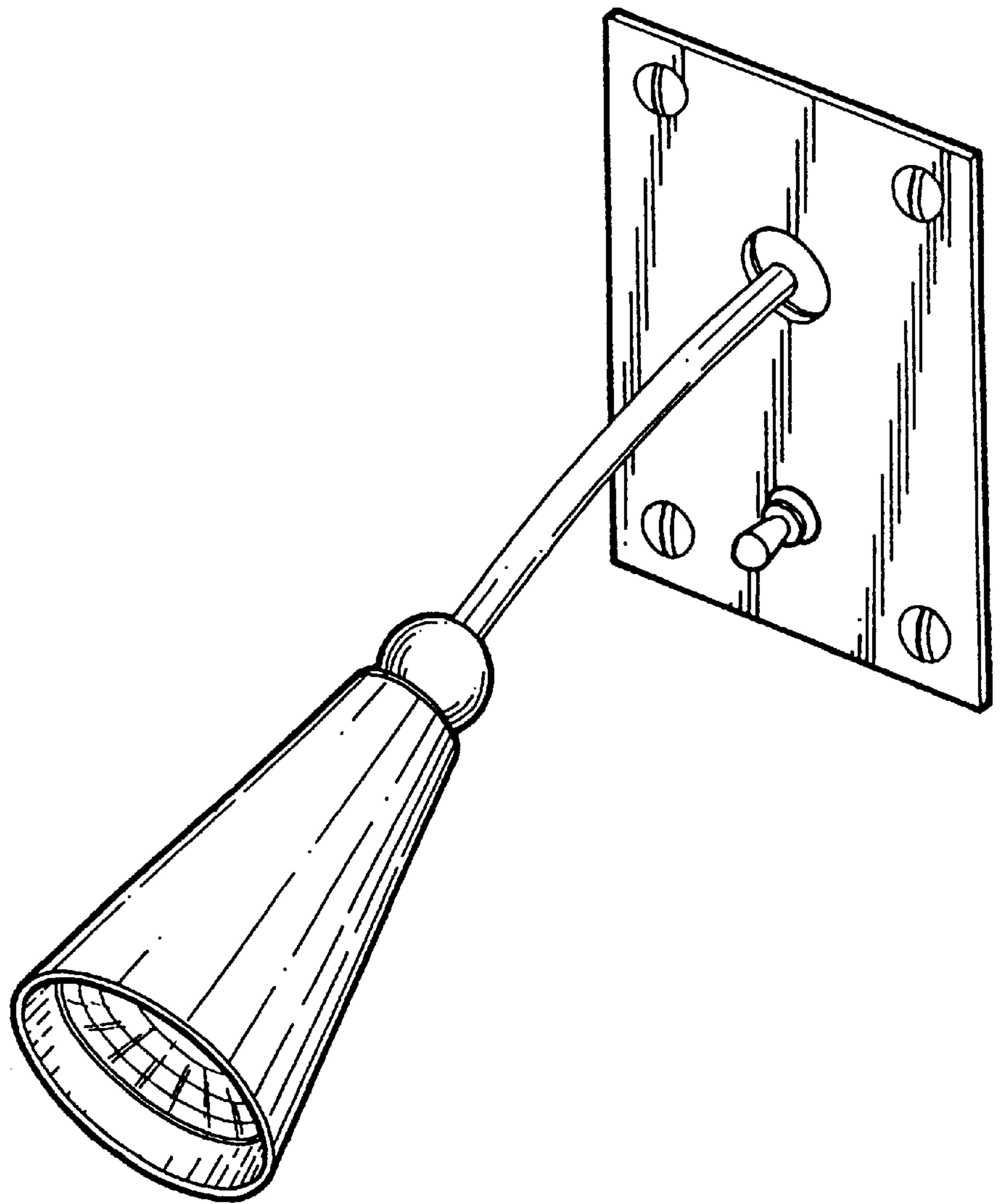


FIG. 2

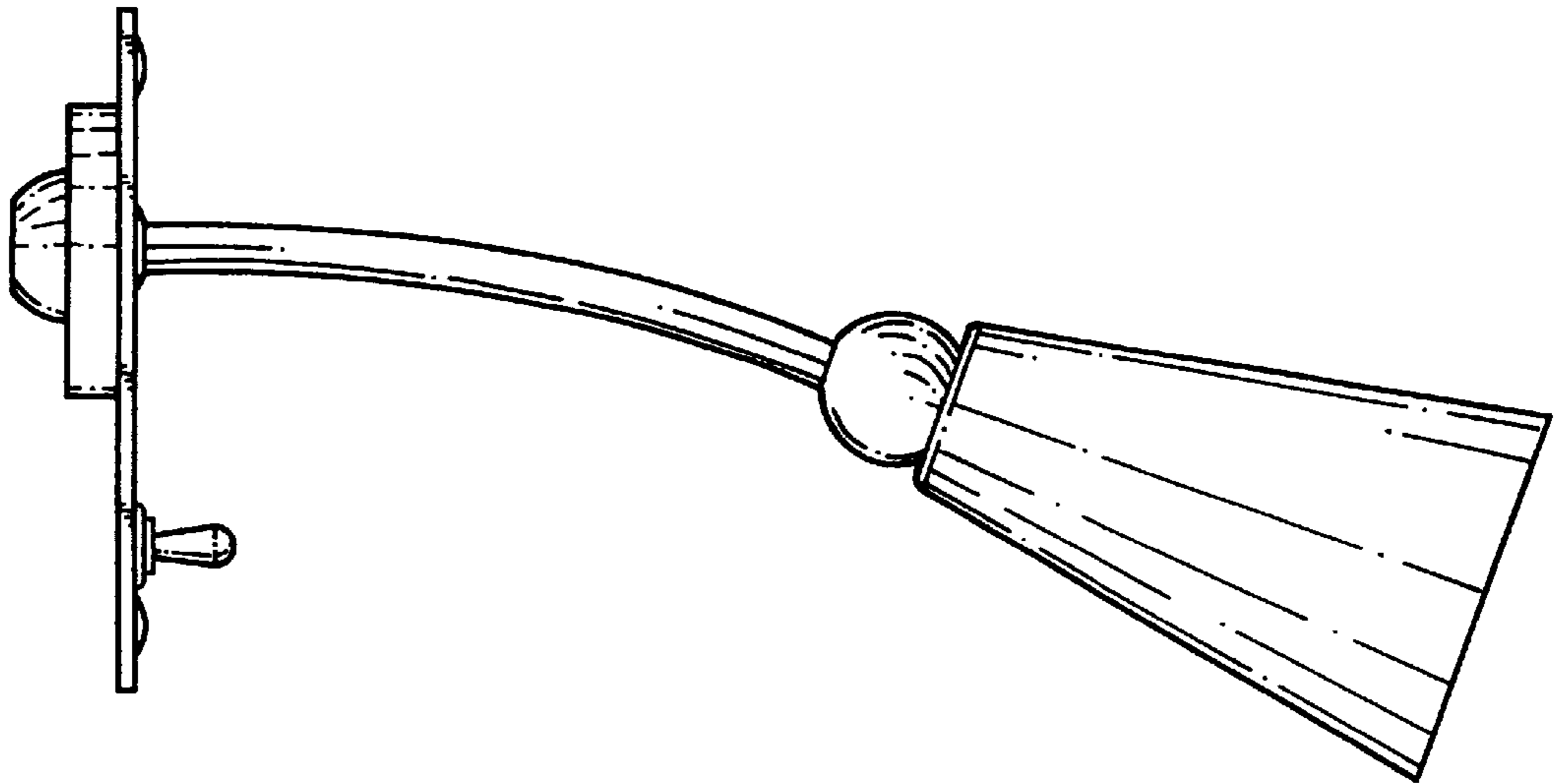


FIG. 3

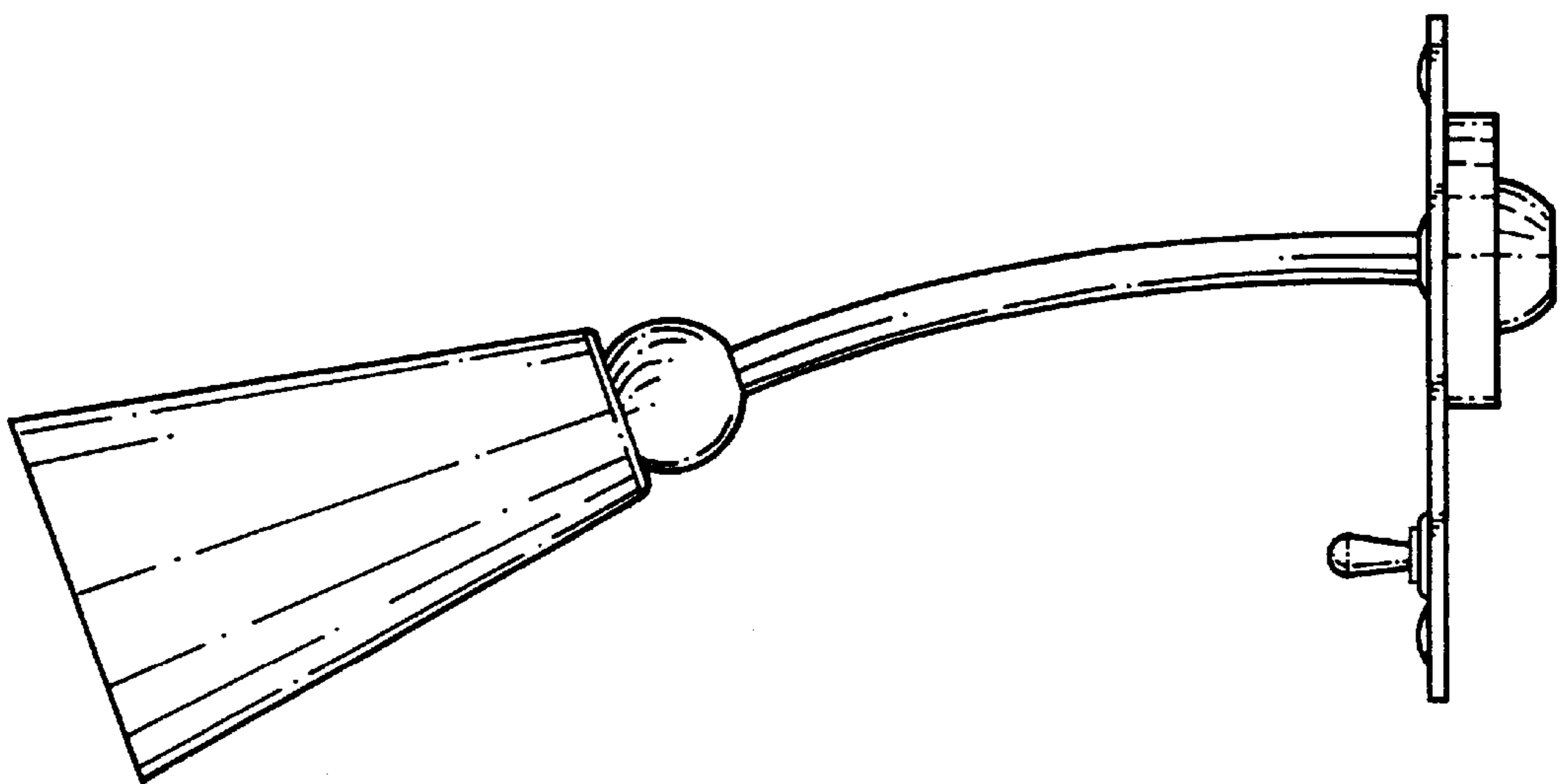


FIG. 4

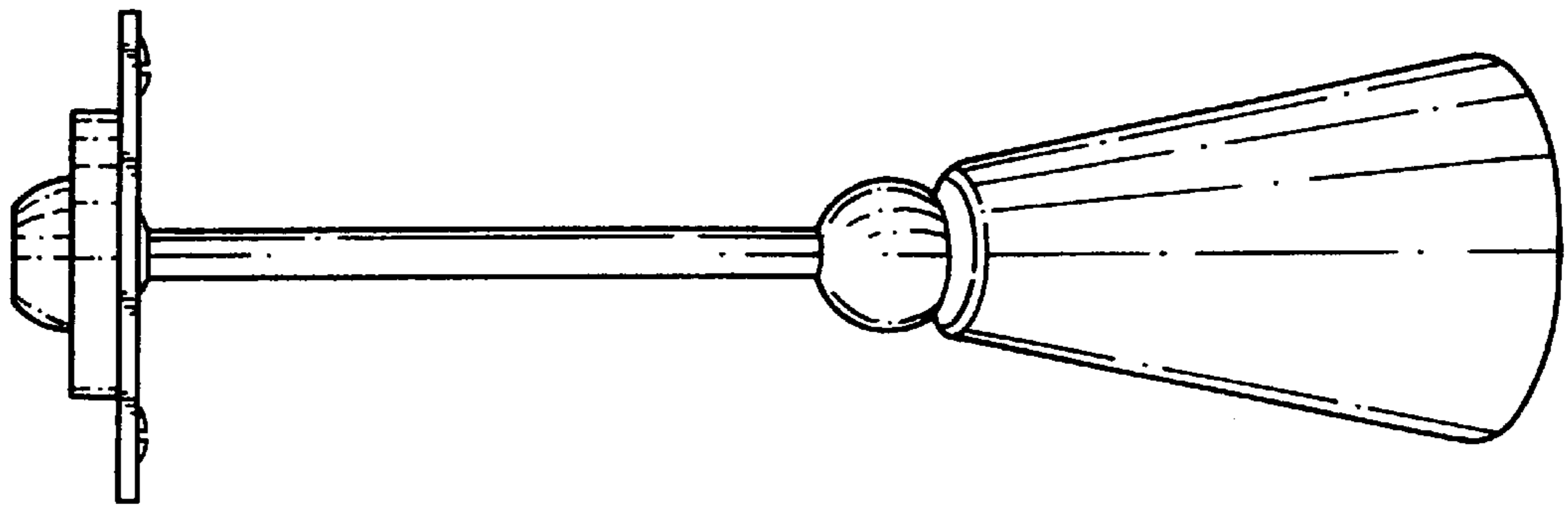


FIG. 5

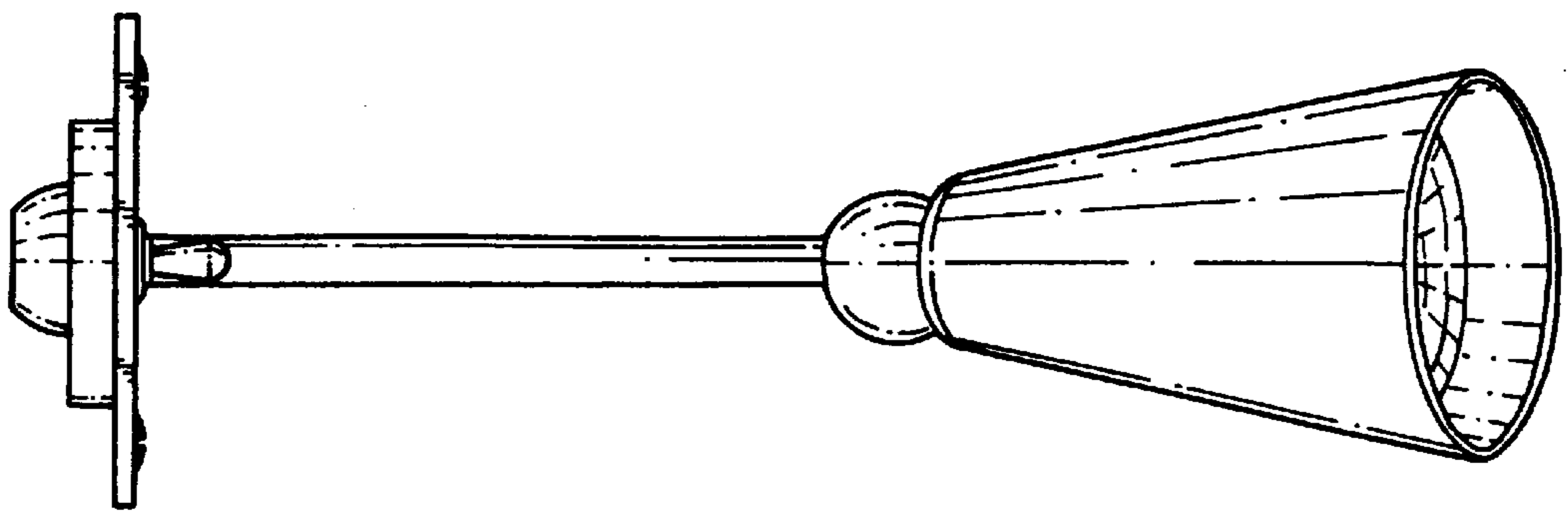


FIG. 6

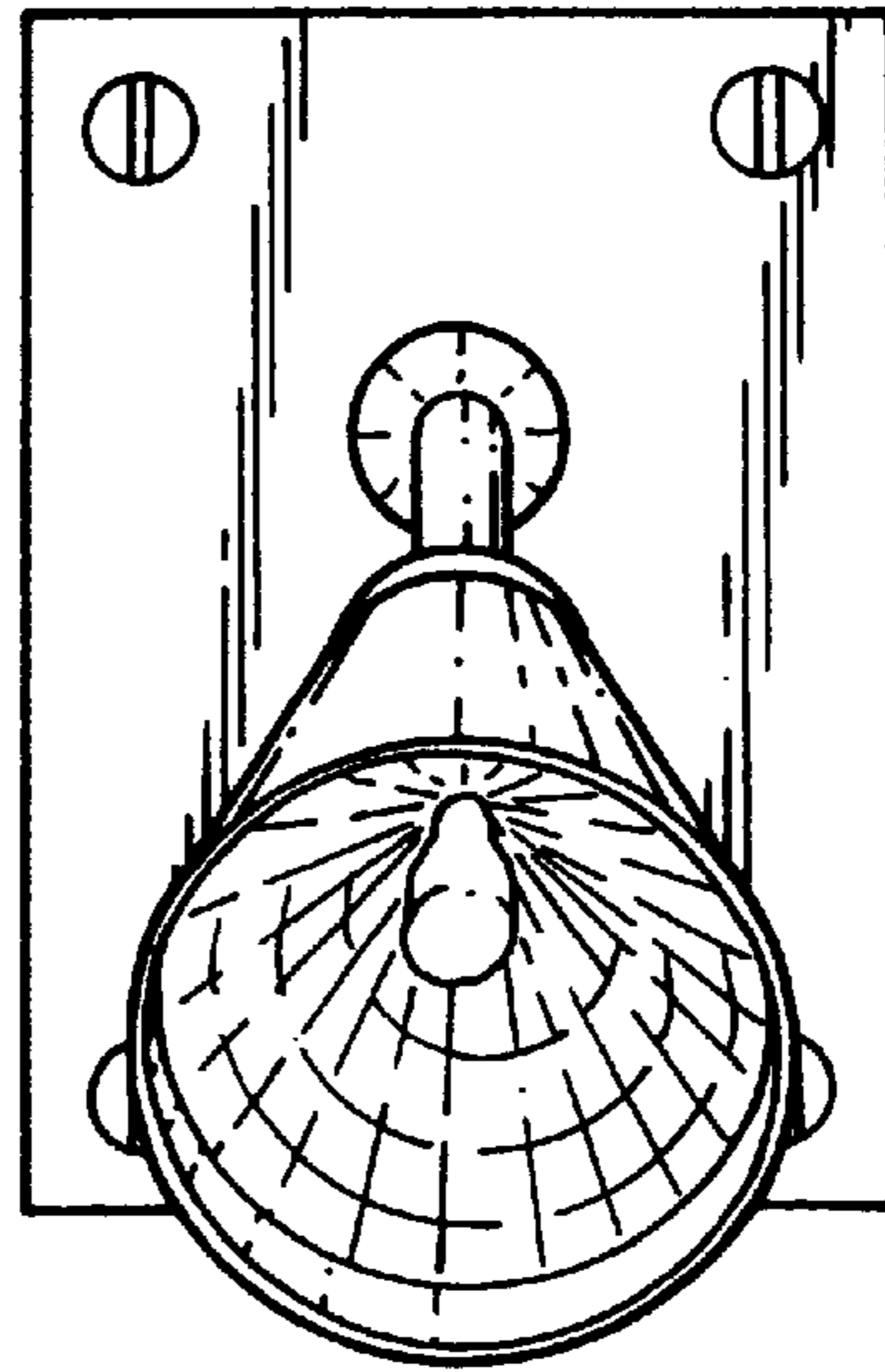


FIG. 7

