



US00D438658S

(12) **United States Design Patent**
Meschi

(10) **Patent No.:** **US D438,658 S**

(45) **Date of Patent:** **** Mar. 6, 2001**

(54) **LAMP**
(75) Inventor: **Riccardo Meschi, Lecco (IT)**
(73) Assignee: **Tamper Limited, Nassau (BS)**
(**) Term: **14 Years**

4,821,162 * 4/1989 Ellis 362/147 X
4,974,135 * 11/1990 Wen-tsung 362/418 X
5,183,325 * 2/1993 Hurdle 362/191 X
5,203,622 * 4/1993 Sottle 362/109
5,669,694 * 9/1997 Morton 362/33

* cited by examiner

(21) Appl. No.: **29/114,523**
(22) Filed: **Nov. 24, 1999**
(30) **Foreign Application Priority Data**

May 26, 1999 (IT) MI9900303

(51) **LOC (7) Cl.** **26-05**
(52) **U.S. Cl.** **D26/60**
(58) **Field of Search** D26/61, 63, 65,
D26/66; 362/418, 419, 427, 428, 269, 271,
272, 276, 277, 278, 279, 33, 401, 394,
801, 191, 192

Primary Examiner—Susan J. Lucas
(74) *Attorney, Agent, or Firm*—Cobrin & Gittes

(57) **CLAIM**

The ornamental design for a lamp, as shown and described.

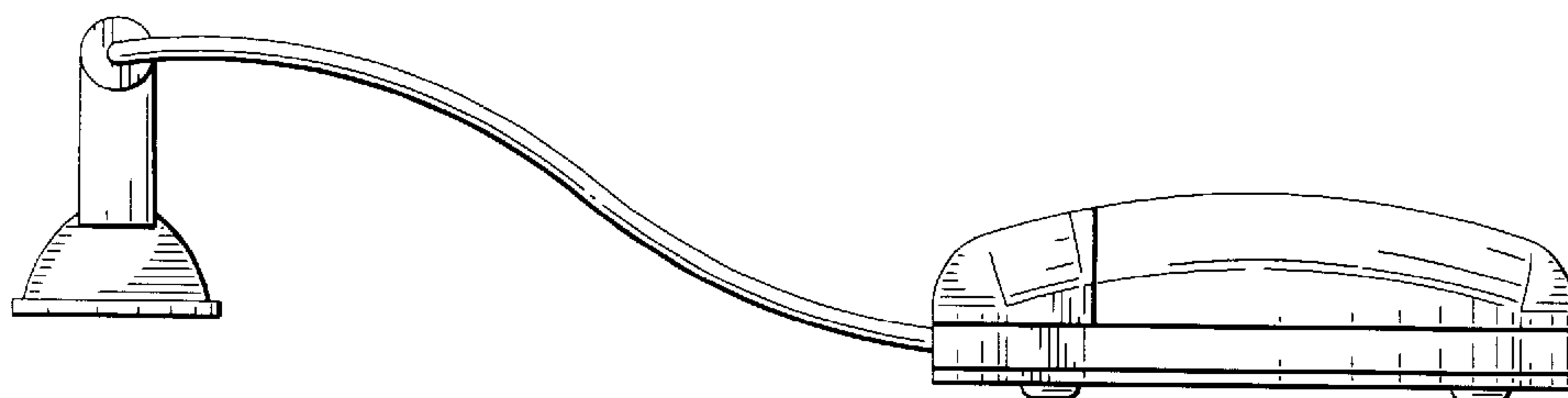
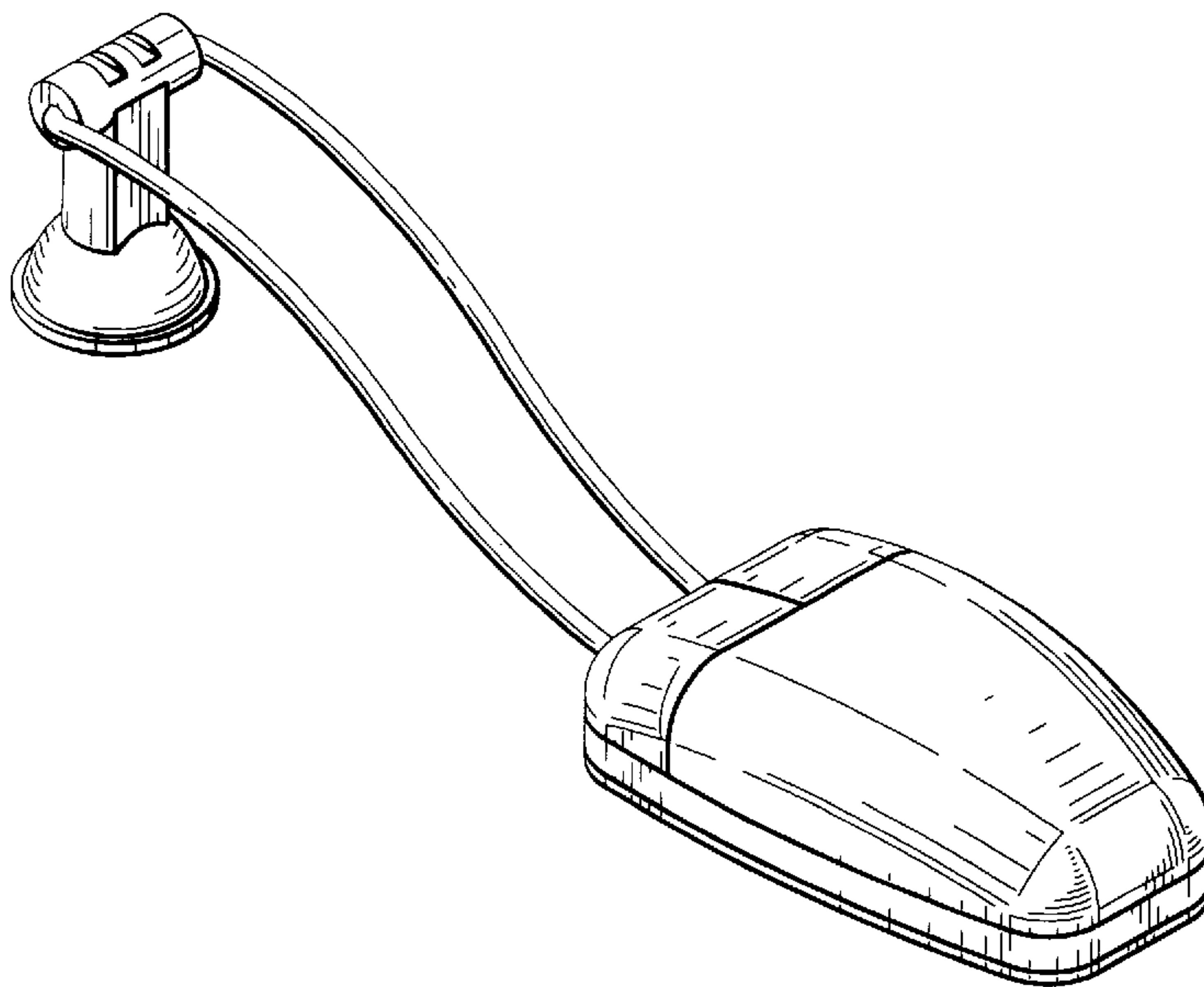
DESCRIPTION

FIG. 1 is a front perspective view of a lamp in accordance with the invention.
FIG. 2 is a top view thereof;
FIG. 3 is a side view thereof that is identical/symmetrical to the opposite side view thereof;
FIG. 4 is an end view thereof, which end view of the lampshade and "T" shaped joint are identical/symmetrical to the opposite end view thereof;
FIG. 5 is an opposite end view thereof; and,
FIG. 6 is a bottom view thereof.

(56) **References Cited**
U.S. PATENT DOCUMENTS

4,306,280 * 12/1981 Burke 362/427 X
4,425,610 * 1/1984 Krubsack et al. 362/419

1 Claim, 2 Drawing Sheets



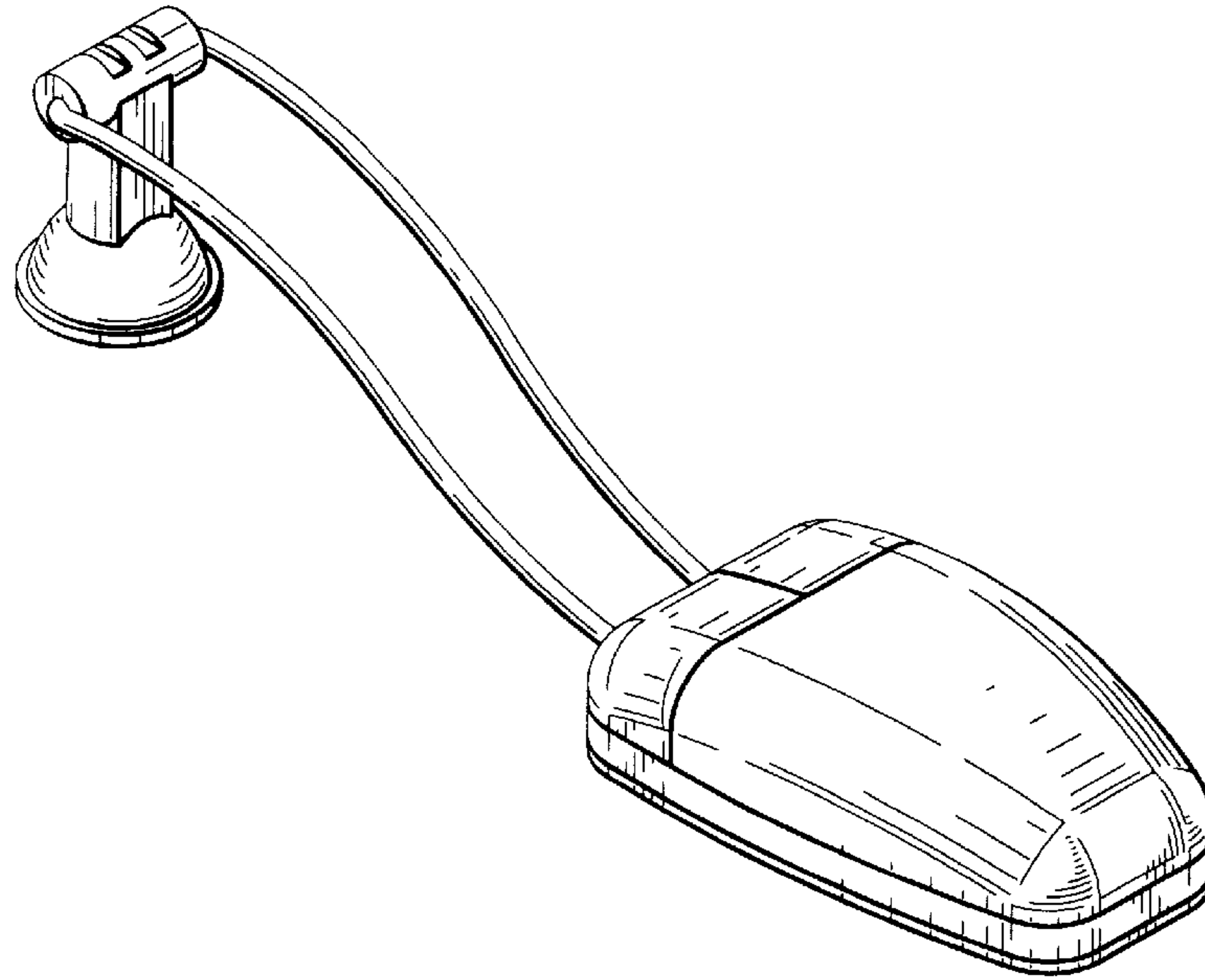


FIG 1

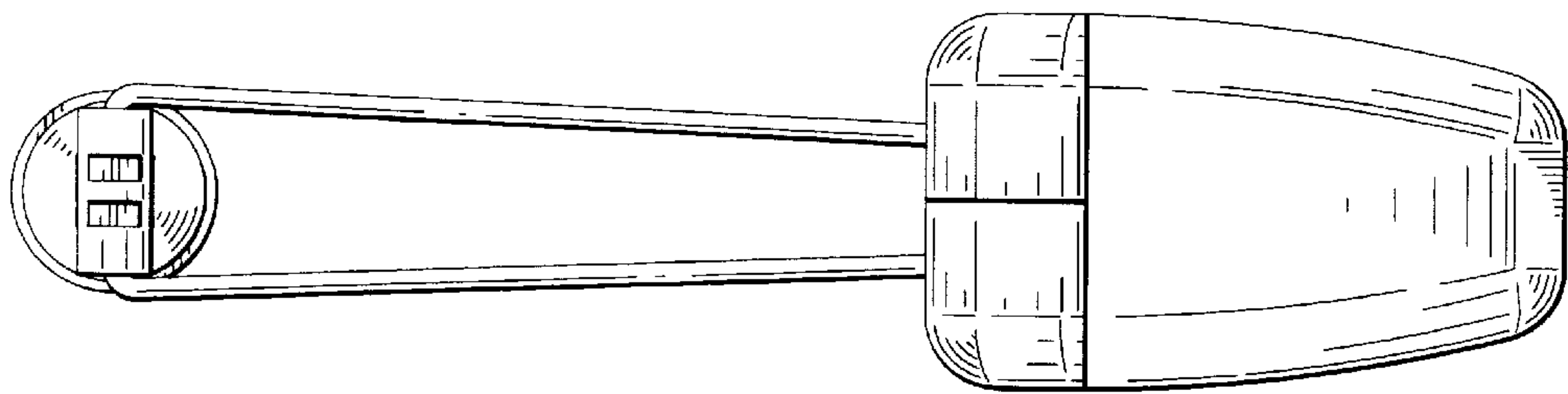


FIG 2

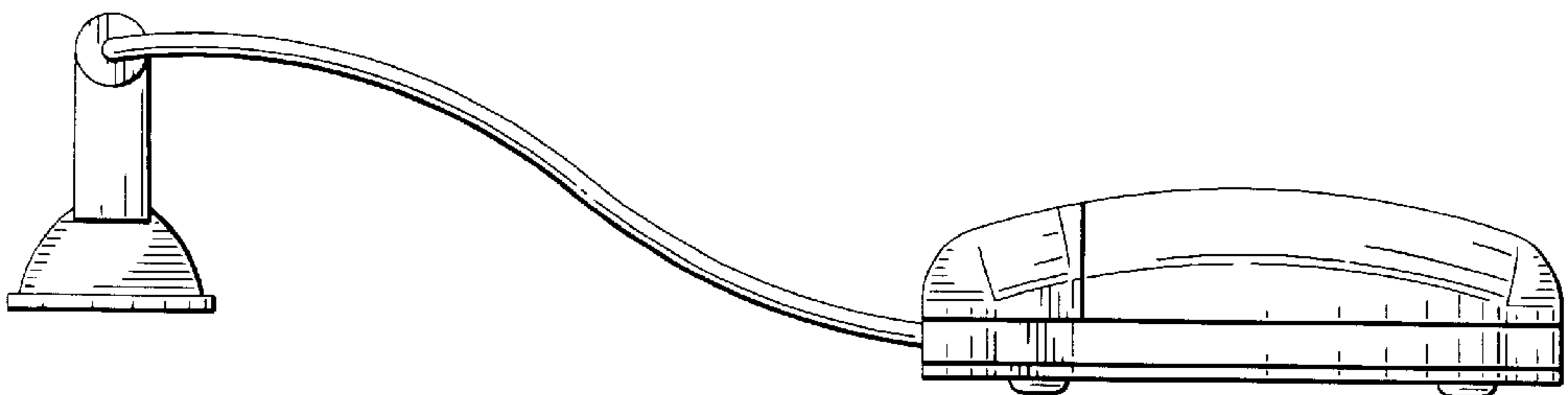


FIG 3

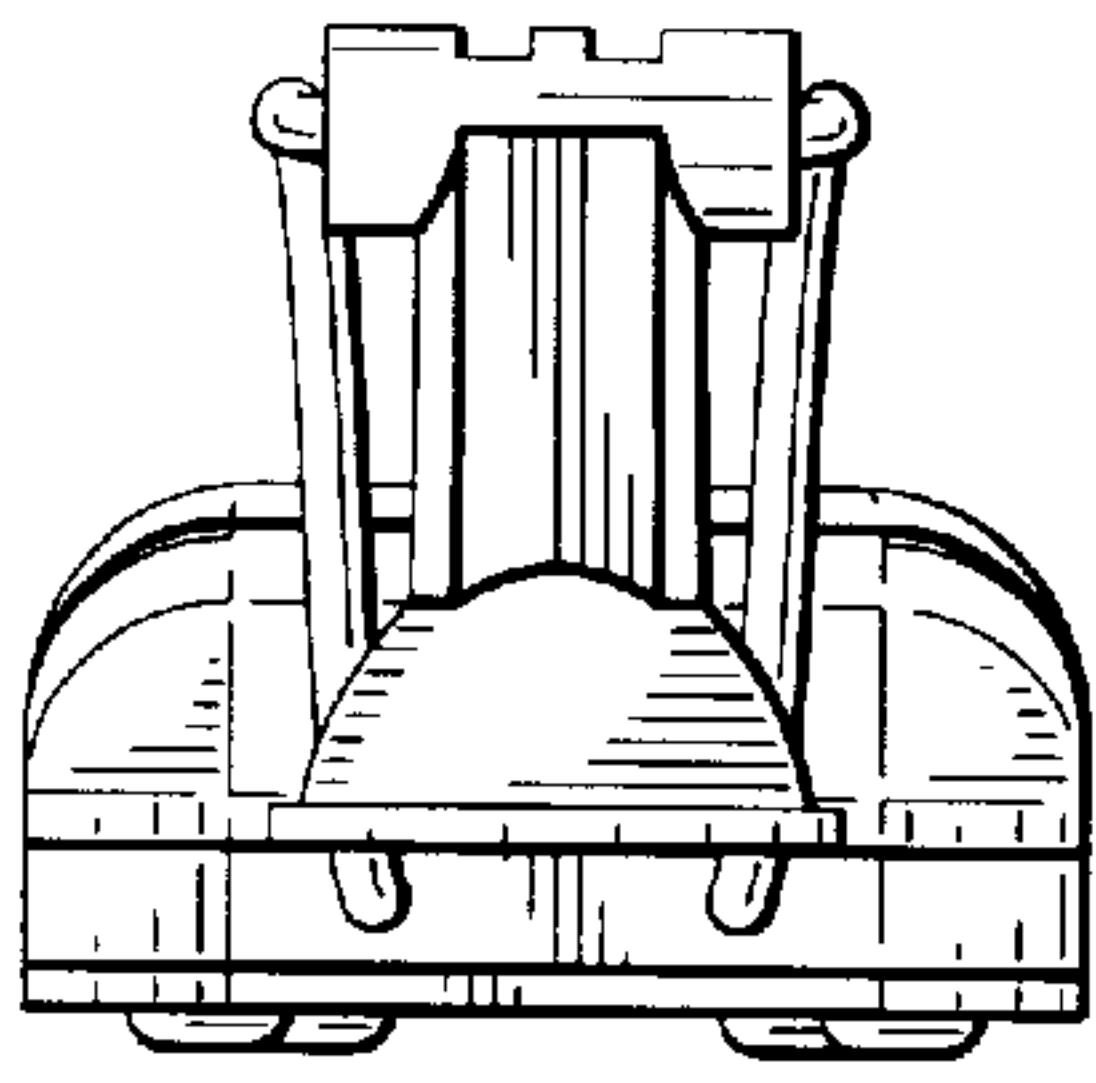


FIG 4

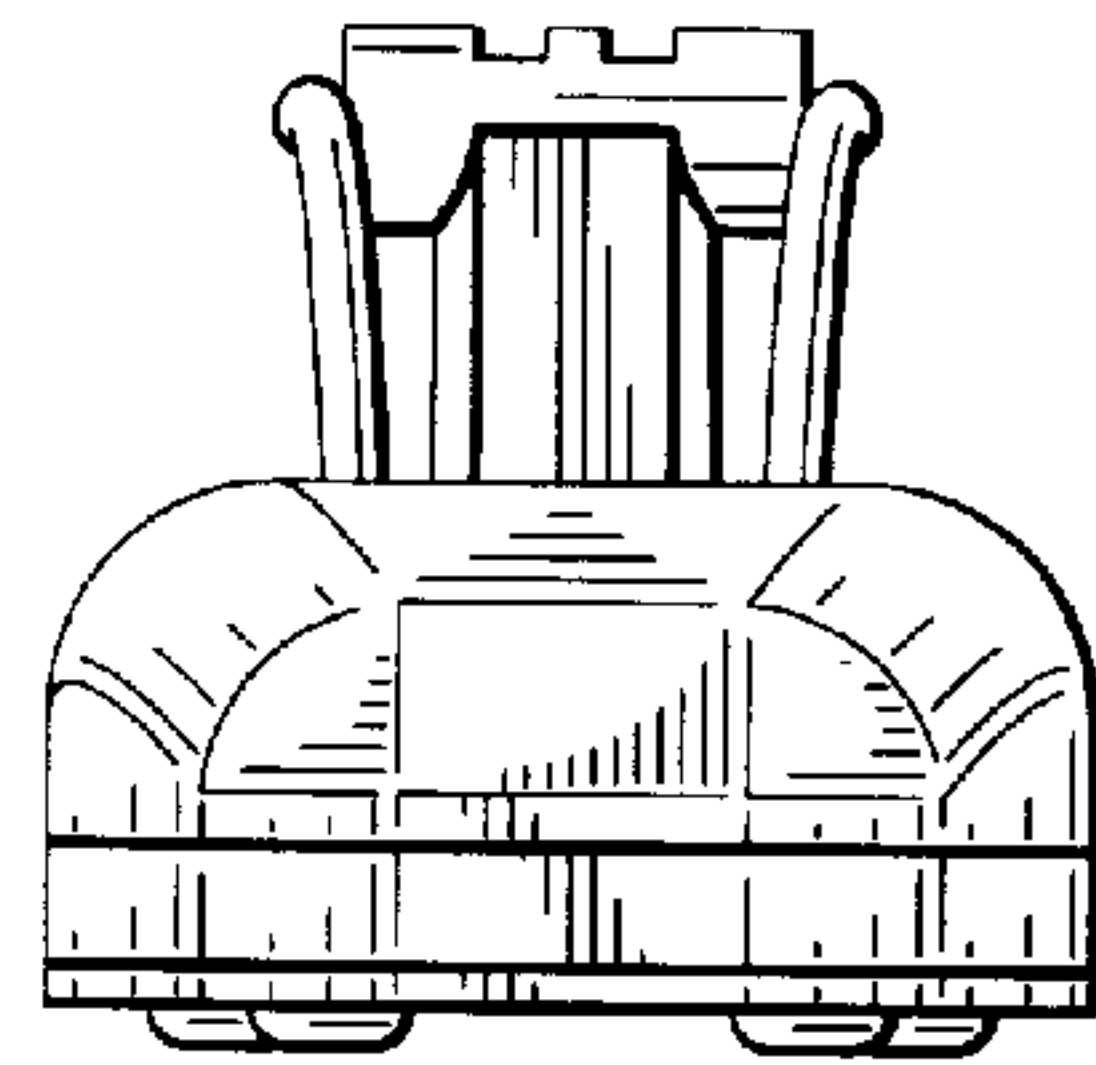


FIG 5

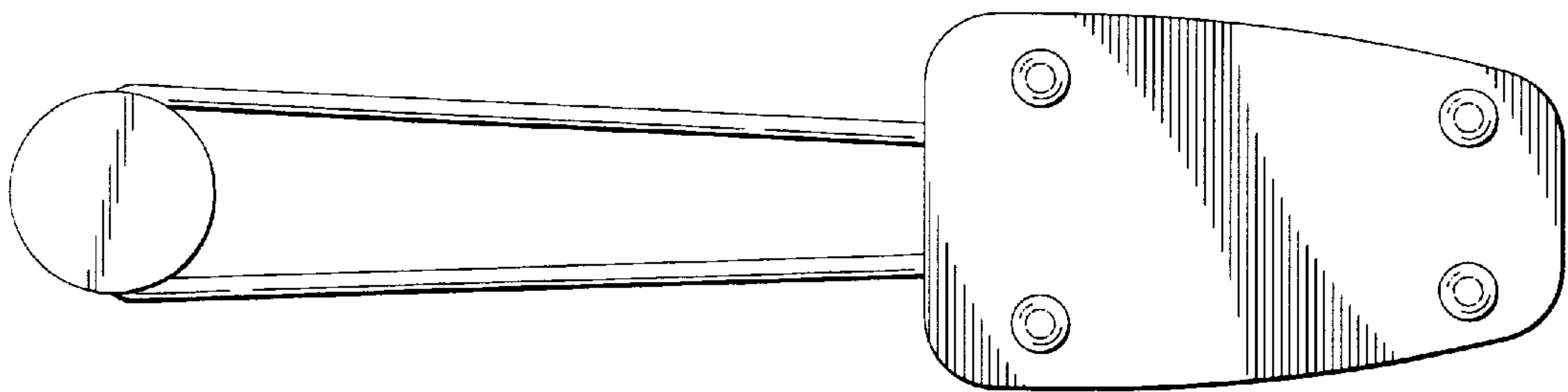


FIG 6