



US00D438655S

(12) **United States Design Patent**  
**Newman**

(10) **Patent No.:** **US D438,655 S**

(45) **Date of Patent:** **\*\* Mar. 6, 2001**

(54) **COMBINATION SIGN AND REAR BRAKE LIGHT**

(76) **Inventor:** **Terry Newman**, 201 W. MacArthur #8,  
Santa Ana, CA (US) 92707

(\*\*) **Term:** **14 Years**

(21) **Appl. No.:** **29/126,956**

(22) **Filed:** **Jul. 26, 2000**

(51) **LOC (7) Cl.** ..... **26-06**

(52) **U.S. Cl.** ..... **D26/28**

(58) **Field of Search** ..... D10/109, 114;  
D26/28-36; 340/457, 457.2, 457.4, 459,  
461, 468; 362/811, 812

(56) **References Cited**

**U.S. PATENT DOCUMENTS**

D. 331,890 \* 12/1992 Robinson ..... D26/31

D. 374,191 \* 10/1996 Jerrebbonne et al. .... D26/31

D. 409,318 \* 5/1999 Hopkins et al. .... D26/31

\* cited by examiner

*Primary Examiner*—Marcus A. Jackson

(74) *Attorney, Agent, or Firm*—Eric Karich

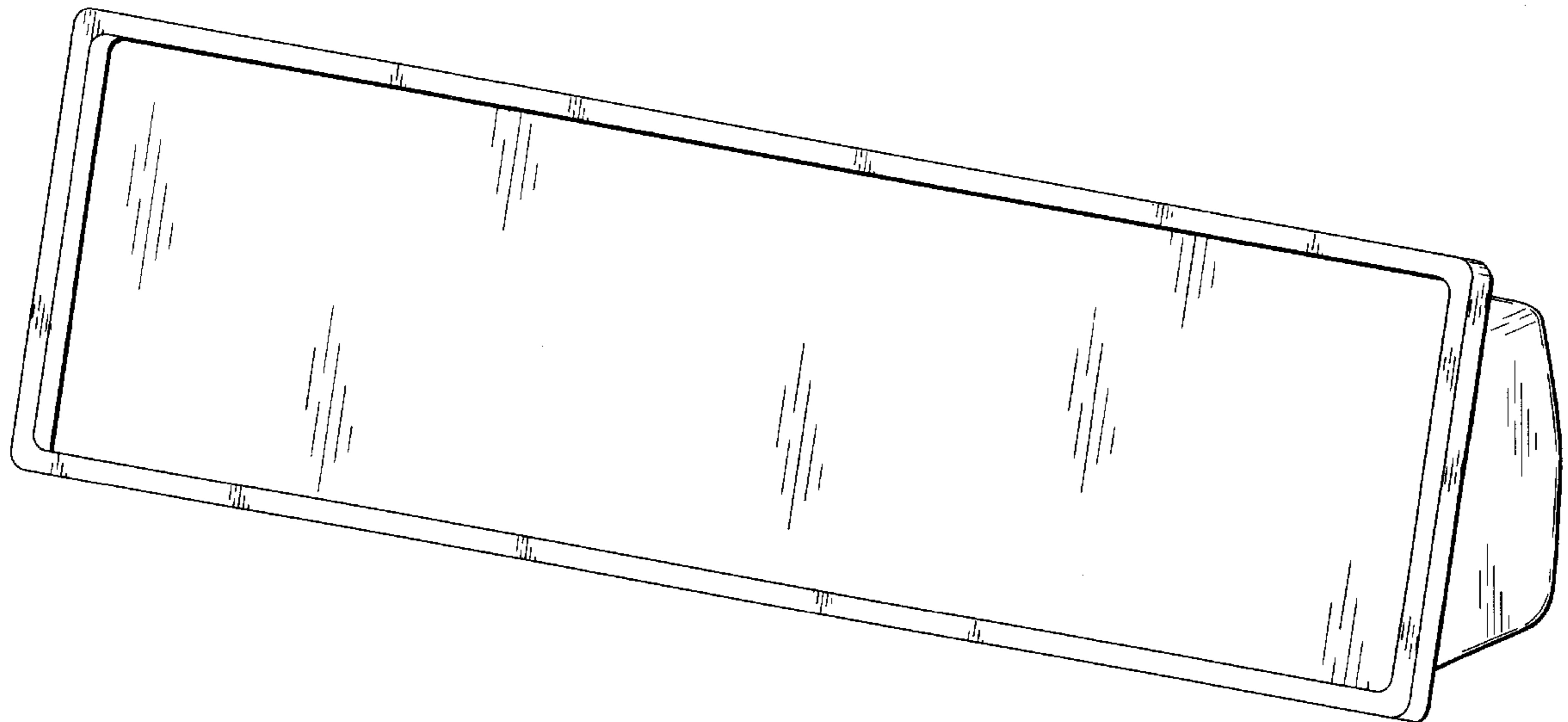
(57) **CLAIM**

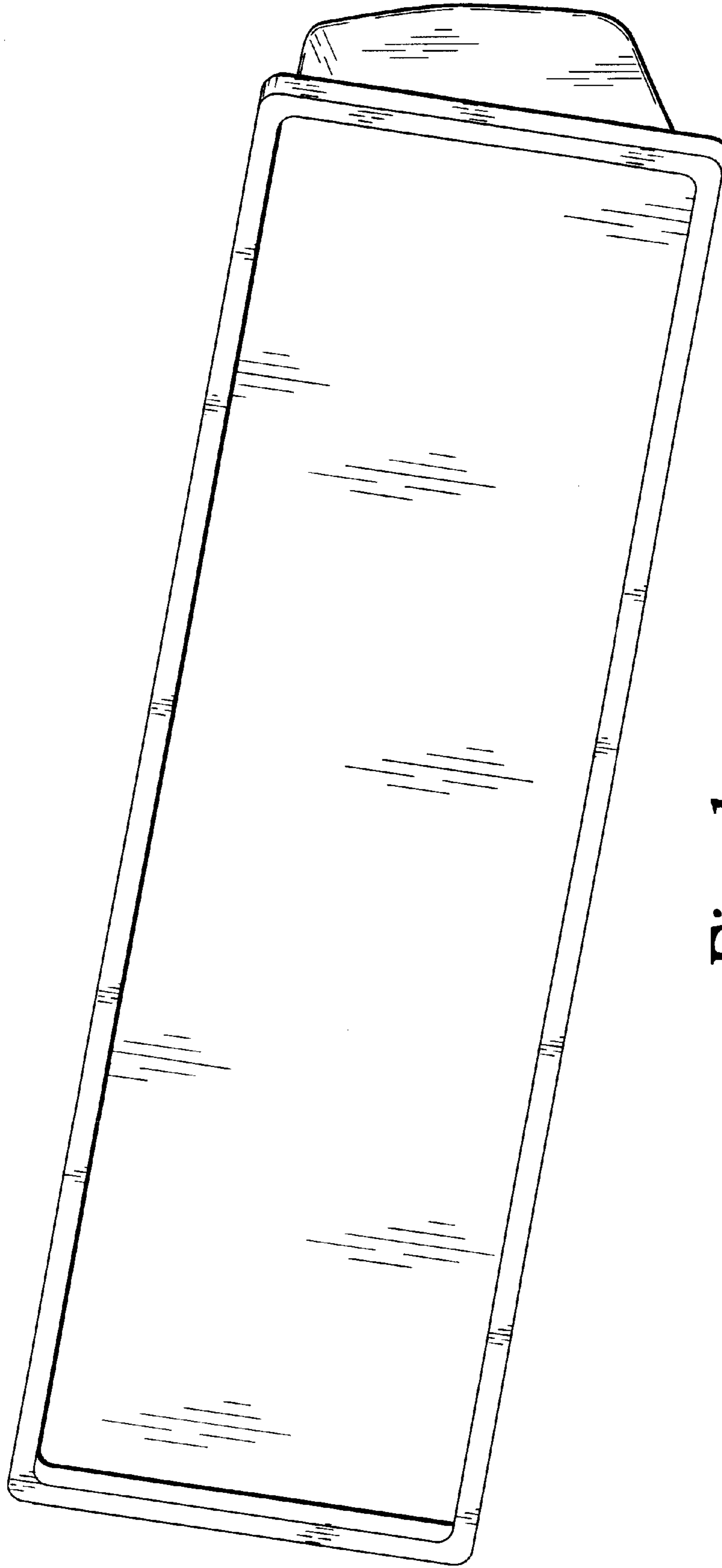
The ornamental design for a combination sign and rear brake light, as shown and described.

**DESCRIPTION**

FIG. 1 is a perspective view of a combination sign and rear brake light, showing my new design;  
FIG. 2 is a front elevational view thereof;  
FIG. 3 is a rear elevational view thereof;  
FIG. 4 is a top plan view thereof;  
FIG. 5 is a bottom plan view thereof; and,  
FIG. 6 is a right side elevational view thereof, the left side elevation view being a mirror image thereof.

**1 Claim, 4 Drawing Sheets**





**Fig. 1**

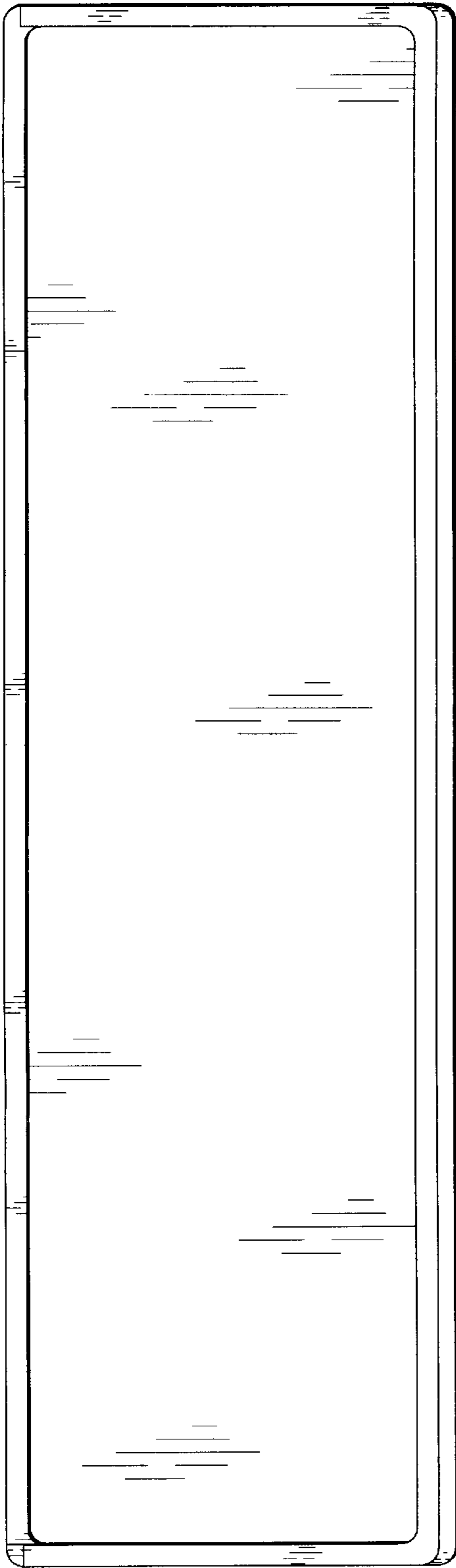


Fig. 2

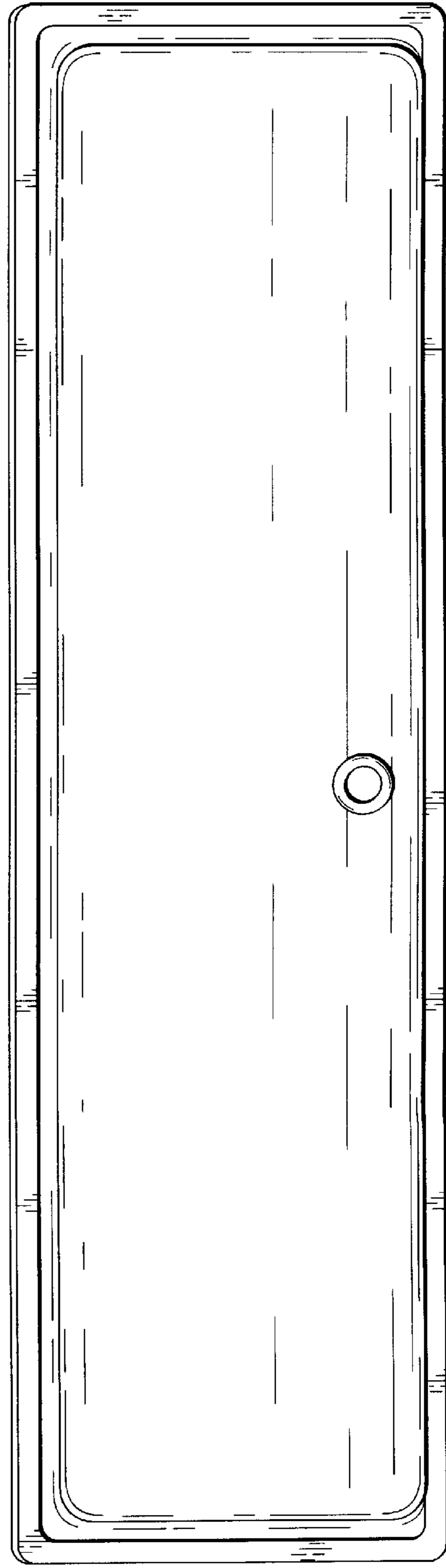
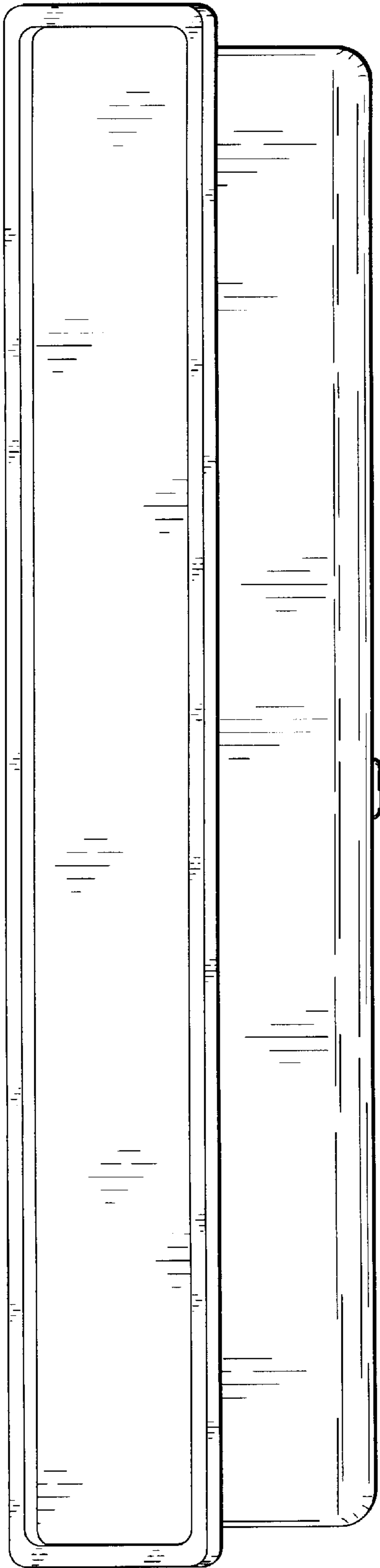
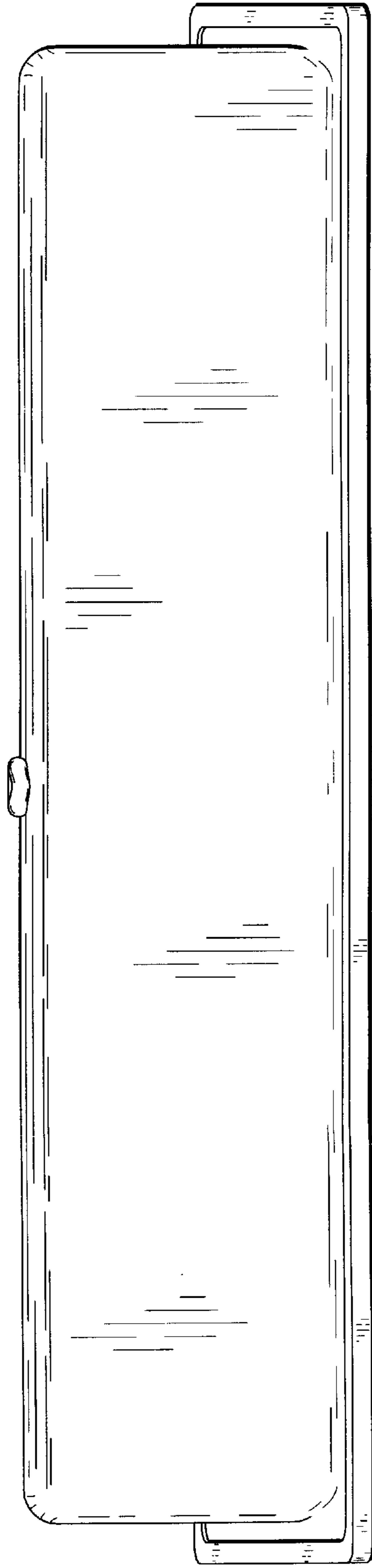


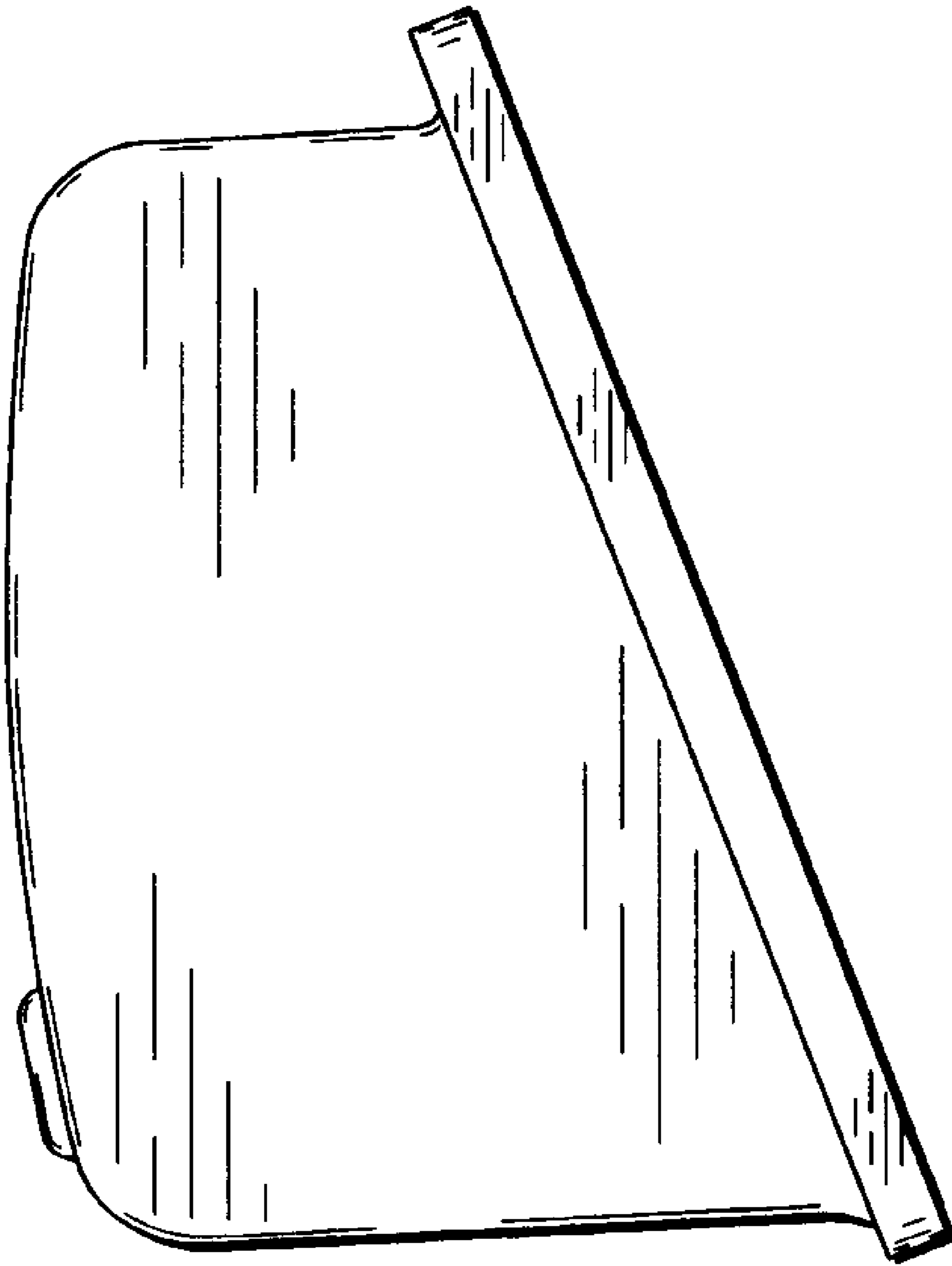
Fig. 3



*Fig. 4*



*Fig. 5*



*Fig. 6*